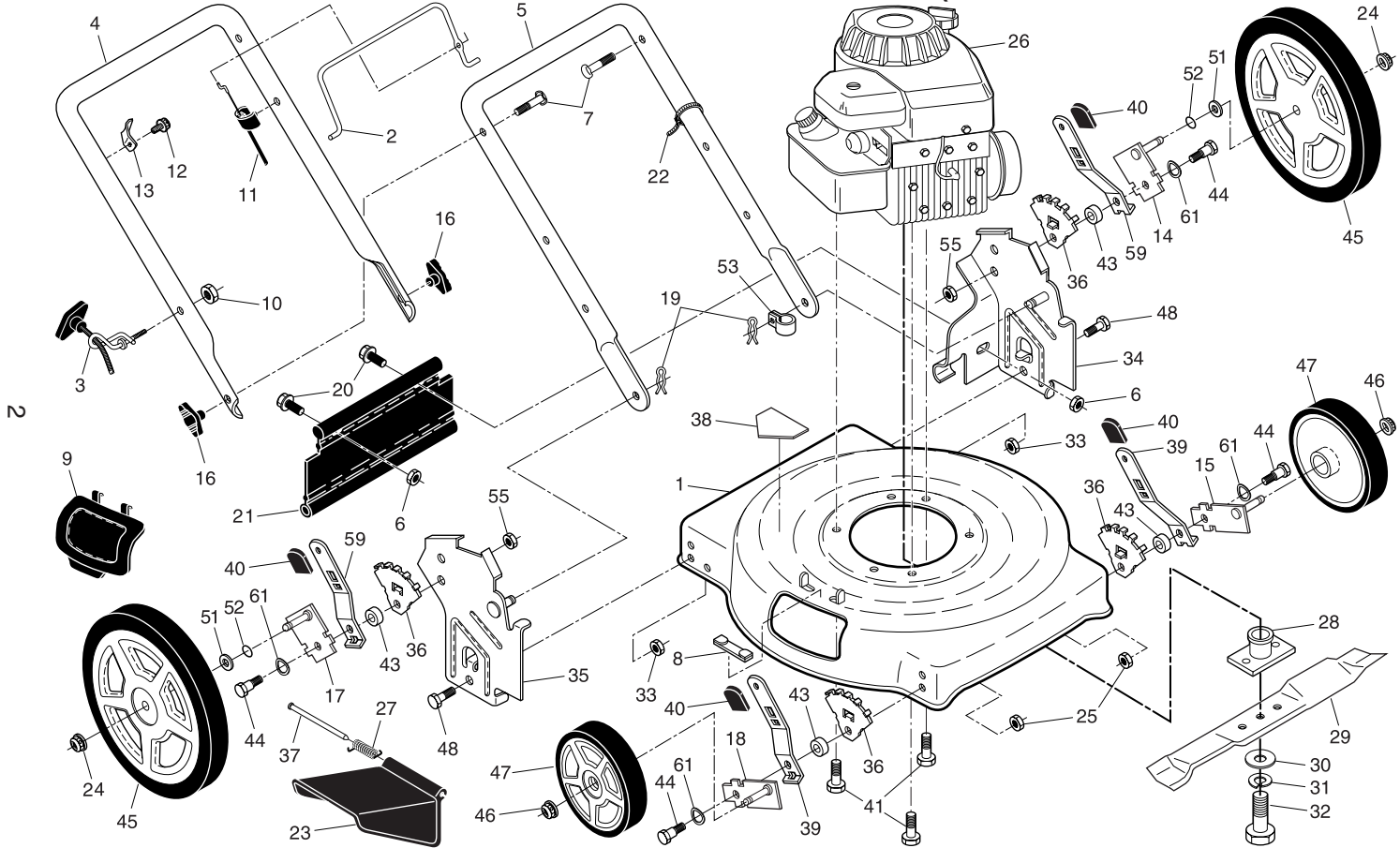


ROTARY LAWN MOWER -- MODEL NUMBER HU500N22SH (MFG. ID. NUMBER 96112007500)



ROTARY LAWN MOWER - - MODEL NUMBER HU500N22SH (MFG. ID. NUMBER 96112007500)

3

KEY NO.	PART NO.	DESCRIPTION	KEY NO.	PART NO.	DESCRIPTION
1	164865	Lawn Mower Housing (Includes Key Number 38)	28	851514	Blade Adapter
2	194177X428	Control Bar	29	406713	22" Blade
3	194788	Rope Guide	30	851074	Hardened Washer
4	194179X479	Upper Handle	31	850263	Helical Lockwasher 3/8
5	169708X479	Lower Handle	32	851084	Screw, Hex Head, Grade 8, 3/8-24 x 1-3/8
6	73800400	Locknut, Hex 1/4-20	33	73800500	Nut, Hex, Nylock 5/16-18
7	191574	Handle Bolt 5/16-18	34	193083X479	Handle Bracket, LH
8	161622	Clip, Closeout	35	193082X479	Handle Bracket, RH
9	160830	Mulcher Plate	36	407494X005	Wheel Bracket Adjuster
10	132004	Nut, Hex 1/4-20	37	160833	Hinge Rod
11	183281	Engine Zone Control Cable	38	404763	Danger Decal
12	750634	Hex Washer Head Screw #10-24 x 1/2	39	401621X004	Selector Spring, Front
13	86899X004	Up-Stop Bracket	40	87877	Selector Knob
14	401176X004	Axle Arm Assembly, Rear, LH	41	150406	Screw, Hex Head, Threaded, Rolled 3/8-16 x 1
15	401174X004	Axle Arm Assembly, Front, LH	43	401629	Spacer
16	189713X428	Knob, Handle	44	401638	Shoulder Bolt 5/16-18
17	401177X004	Axle Arm Assembly, Rear, RH	45	193926X427	Wheel & Tire Assembly, Rear, 12"
18	401175X004	Axle Arm Assembly, Front, RH	46	409148	Nut, Hex, Flangelock 3/8-16
19	51793	Hairpin Cotter	47	193931X427	Wheel & Tire Assembly, Front, 8"
20	74760412	Screw, Hex Cap Head 1/4-20	48	74760514	Bolt, Hex Head 5/16-18
21	413160	Rear Skirt	51	88348	Washer, Flat 3/8
22	66426	Wire Tie	52	197480	O-Ring
23	160831	Discharge Guard	53	197991	Clip, Cable
24	409149	Nut, Hex, Flangelock 3/8-16	55	751153	Nut, Hex
25	166785	Nut, Hex, Flangelock 5/16-18	59	401624X004	Selector Spring, Rear
26	- - -	Engine, Briggs & Stratton, Model Number 10T502-1303-B1 (For engine service and replacement parts, call Briggs & Stratton at 1-800-233-3723)	61	401630	Washer, Flat
			- -	404764	Warning Decal (not shown)
			- -	193732	Operator's Manual, English
27	408585	Torsion Spring	- -	193735	Operator's Manual, Spanish
			- -	425927	Repair Parts Manual

NOTE: All component dimensions given in U.S. inches. 1 inch = 25.4 mm.

IMPORTANT: Use only Original Equipment Manufacturer (O.E.M.) replacement parts. Failure to do so could be hazardous, damage your lawn mower and void your warranty.