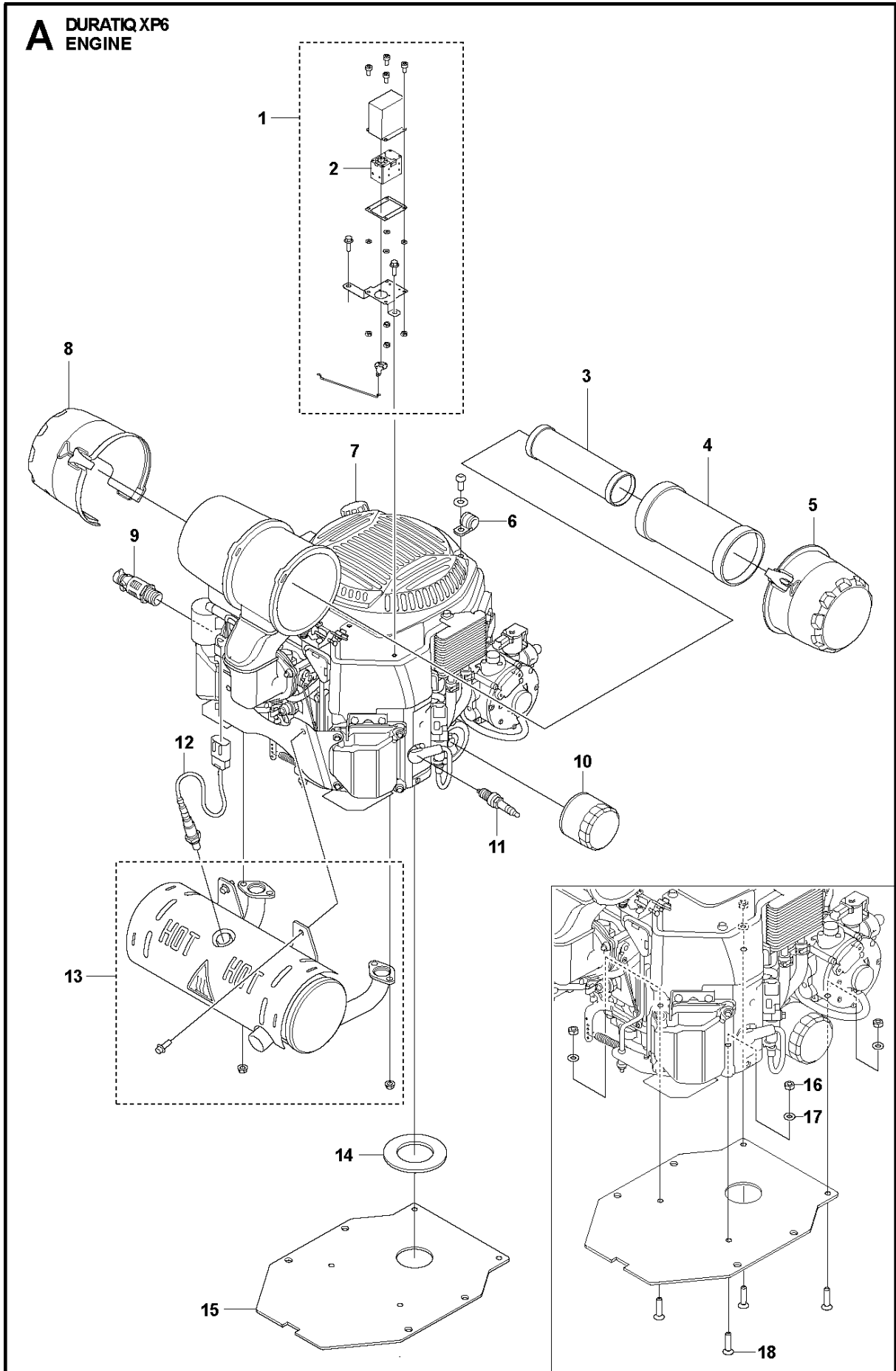




# SPARE PARTS LIST

SURFACE PREPARATION EQUIPMENT

HTC XP6, 967839311, 967839312

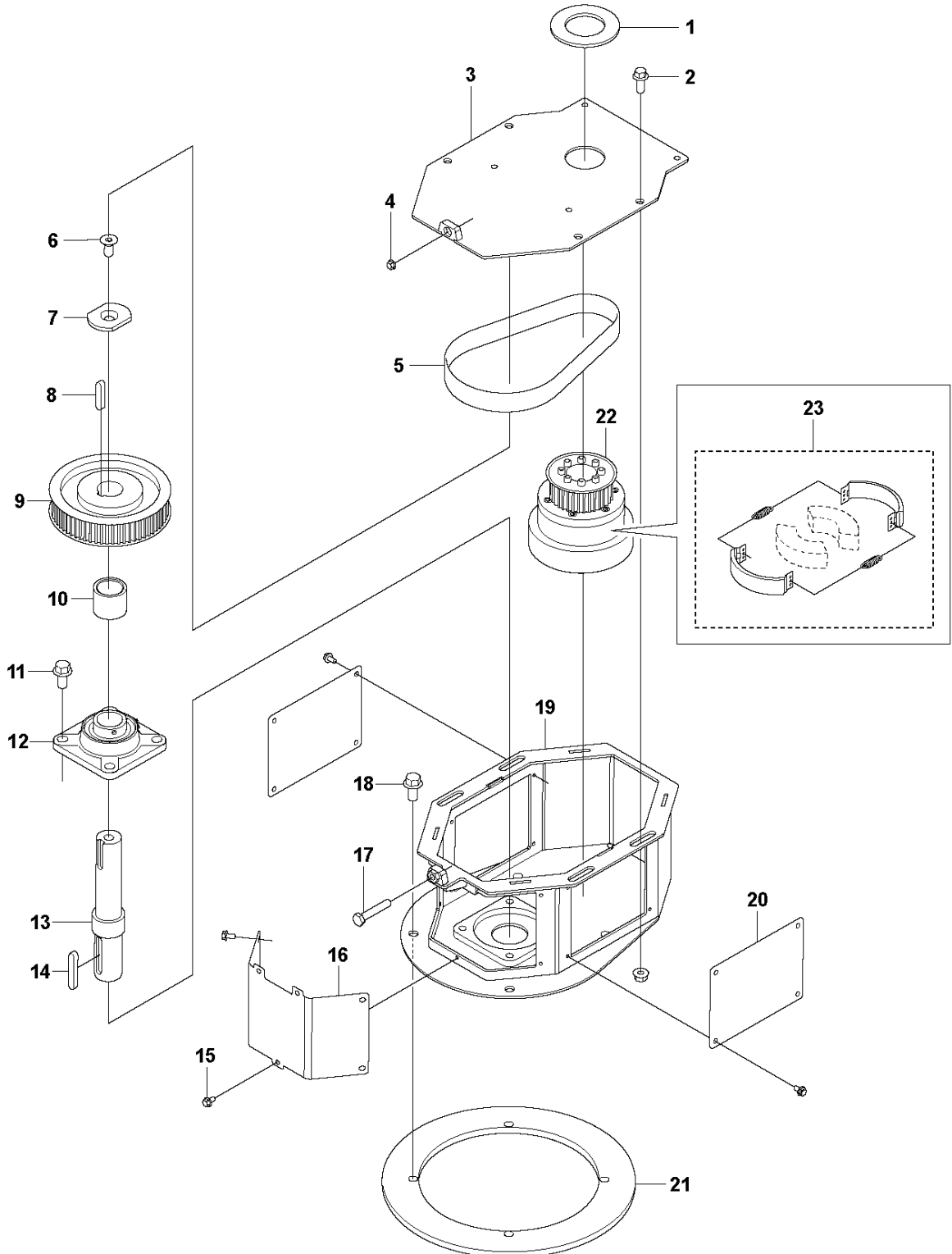


## ENGINE

HTC XP6, 967839311, 967839312

Ref	Part No	Description	Remark	QTY	KIT
1	598 01 38-01	THROTTLE ASSY		1	
2	598 00 67-01	MOTOR	Throttle Servo	1	1
3	599 76 79-01	AIR FILTER	Inner filter	1	
4	599 76 80-01	AIR FILTER	Outer filter	1	
5	599 76 81-01	COVER		1	
6	589 66 91-03	CLIP	M6/Ø14	1	
7	599 76 78-01	OIL PLUG		1	
8	599 76 72-01	COVER		1	
9	599 76 73-01	OIL PLUG		1	
10	599 76 82-01	OIL FILTER		1	
11	599 76 83-01	SPARK PLUG		2	
12	599 76 84-01	SENSOR		1	
13	599 76 85-01	MUFFLER		1	
14	596 81 88-01	SEALING	Gearbox	1	
15	597 74 55-01	GUIDE PLATE		1	
16	522 91 94-01	LOCK NUT	M8	4	
17	734 11 63-01	WASHER	M8	4	
18	725 64 59-01	SCREW IHCSFM	M8x40	4	

**B** DURATIQ XP6  
TRANSMISSION

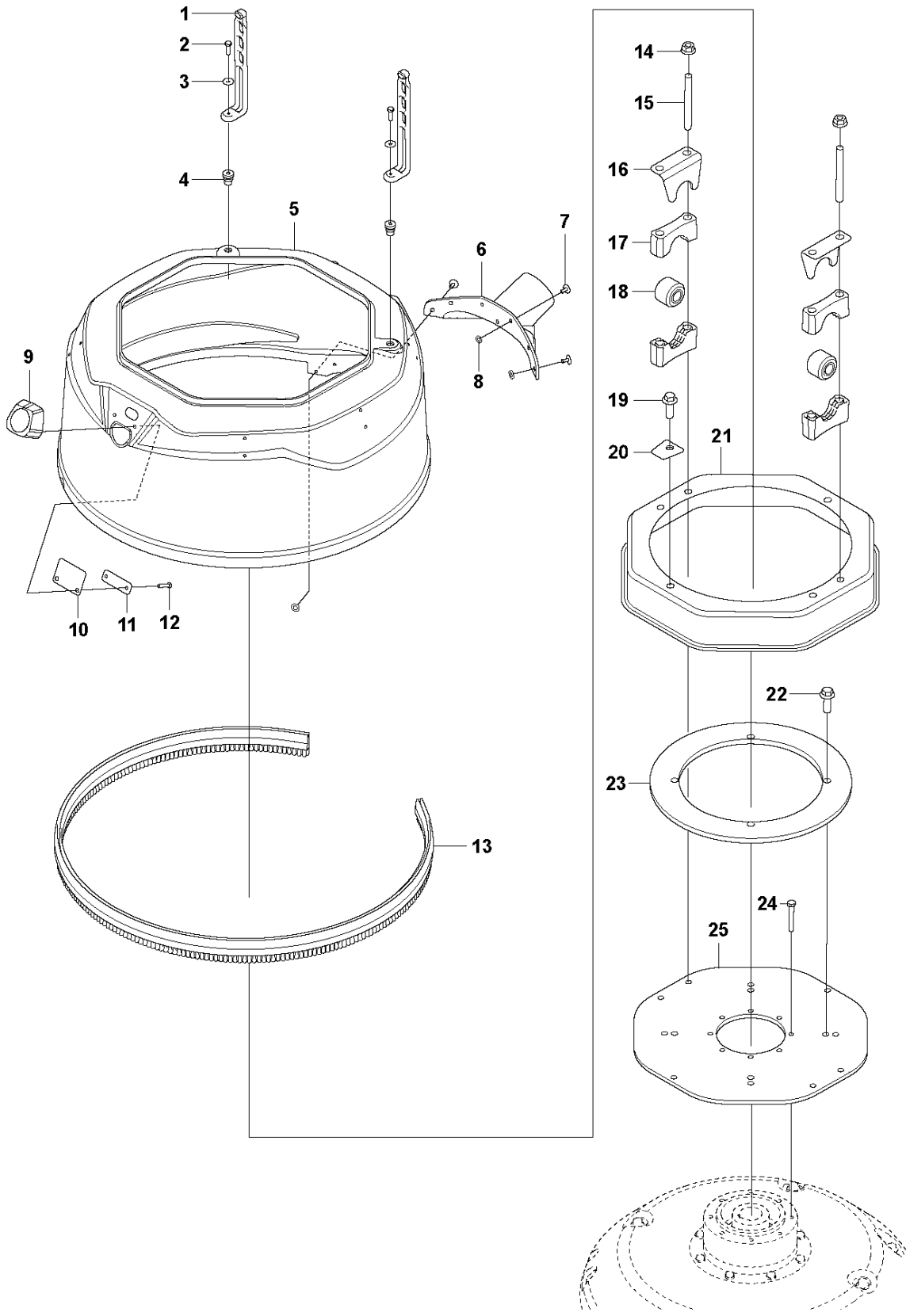


## TRANSMISSION

HTC XP6, 967839311, 967839312

Ref	Part No	Description	Remark	QTY KIT
1	596 81 88-01	SEALING	Gearbox	1
2	725 24 93-61	SCREW EHHFT	M10x25 ZPB	4
3	597 74 55-01	GUIDE PLATE	Motor guide	1
4	731 23 20-01	HEXAGON NUT	M10	1
5	597 68 88-01	BELT	Timing belt	1
6	522 65 81-01	SCREW IHCSFM	M12x25 10,9 ZPB	1
7	597 74 59-01	PLATE	Locking washer	1
8	597 93 27-01	PARALLEL KEY	10x8x45	1
9	597 74 64-01	SPROCKET	Belt wheel	1
10	597 74 63-01	SPACER RING		1
11	585 23 59-01	SCREW EHHFM	M12x25 8,8 ZPB	4
12	597 79 53-01	BEARING UNIT		1
13	597 74 56-01	DRIVE SHAFT	Drive shaft	1
14	597 93 25-01	PARALLEL KEY	10x8x60	1
15	535 47 52-12	SCREW EHHFM	M6x12 8,8ZPB	15
16	597 74 62-01	COVER	Front cover	1
17	725 25 02-71	SCREW EHHM	M10x55	1
18	595 68 01-01	SCREW	M12x35 8,8 ZP	4
19	597 74 54-01	GEARBOX	Weldment	1
20	597 74 61-01	COVER	Side cover	2
21	597 74 52-01	SPACER		1
22	599 50 11-01	CENTRIFUGAL CLUTCH	Centrifugal clutch	1
23	599 69 37-01	CLUTCH SHOE	Service kit	1

**C** DURATIQ XP6  
GRINDING HEAD, OUTER

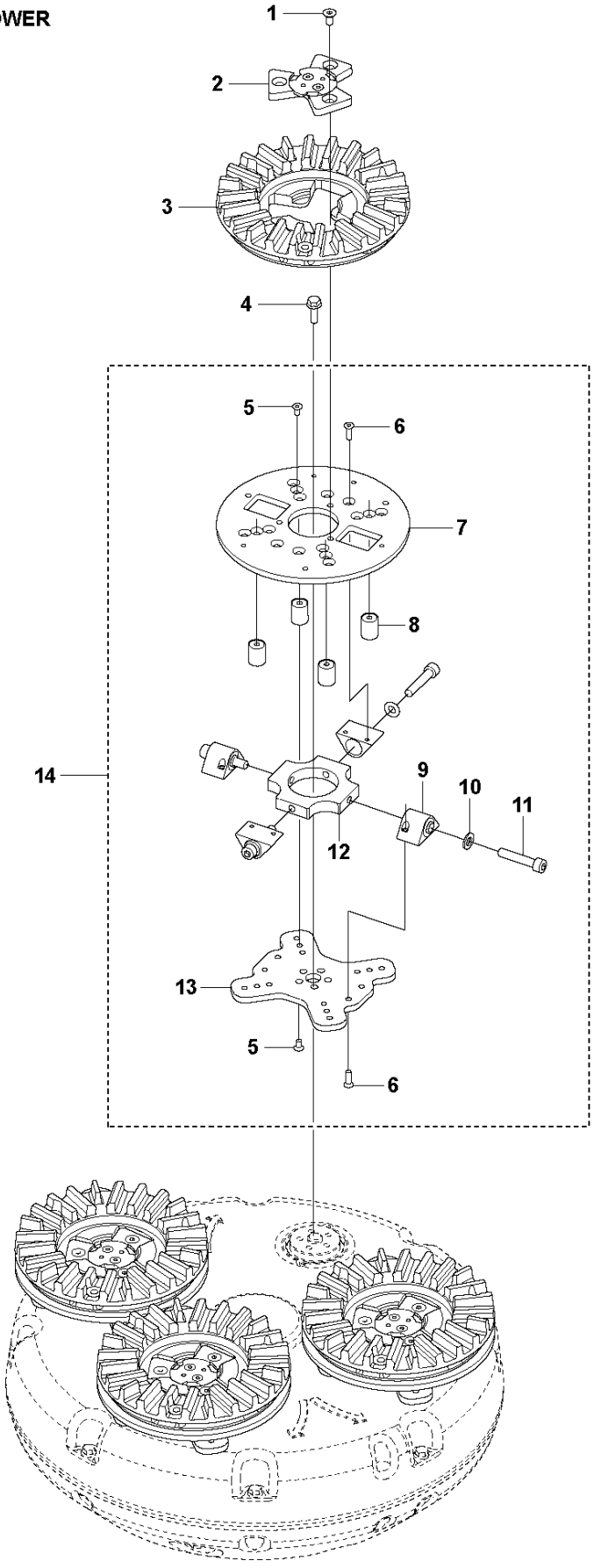


## GRINDING HEAD, OUTER

HTC XP6, 967839311, 967839312

Ref	Part No	Description	Remark	QTY KIT
1	593 48 69-01	STRAP	Rubber strap	2
2	725 23 70-71	SCREW EHHM	M6x20	2
3	524 10 87-01	U-DISC A 6.4	M6	2
4	593 71 87-01	KIT	M6 rubber	2
5	593 54 35-01	COVER	Grinding head cover	1
6	593 53 94-01	NOZZLE	3"	1
7	593 51 47-01	RIVET	Blind rivet 4.8x15 black	7
8	734 11 46-01	WASHER		7
9	593 54 22-01	BRACKET	Mist cover	1
10	593 54 25-01	DECAL	Mist hole cover	1
11	593 53 64-01	SUPPORT PLATE	Mist bracket	1
12	593 51 49-01	SCREW	5x25 TX	2
13	593 44 61-03	STRIP	Brush height 15mm	1
14	593 51 39-01	LOCK NUT	M12 ZP	4
15	593 51 45-01	BOLT	Stud M12x100 8,8	4
16	598 77 80-01	STOP	Suspension Bushing	2
17	593 54 20-01	CLAMP	Suspension	4
18	593 53 90-01	SUSPENSION	Rubber kit	2
19	595 68 01-01	SCREW	M12x35 8,8ZP	1
20	593 53 89-01	COVER	Locking plate	1
21	595 75 80-01	COVER	Cover guide	1
22	595 68 01-01	SCREW	M12x35 8,8ZP	4
23	597 74 52-01	SPACER	Motor spacer seal	1
24	595 67 99-01	SCREW	M8x55 8,8	8
25	595 75 81-01	MOTOR		1

**D** DURATIQ XP6  
GRINDING HEAD, LOWER



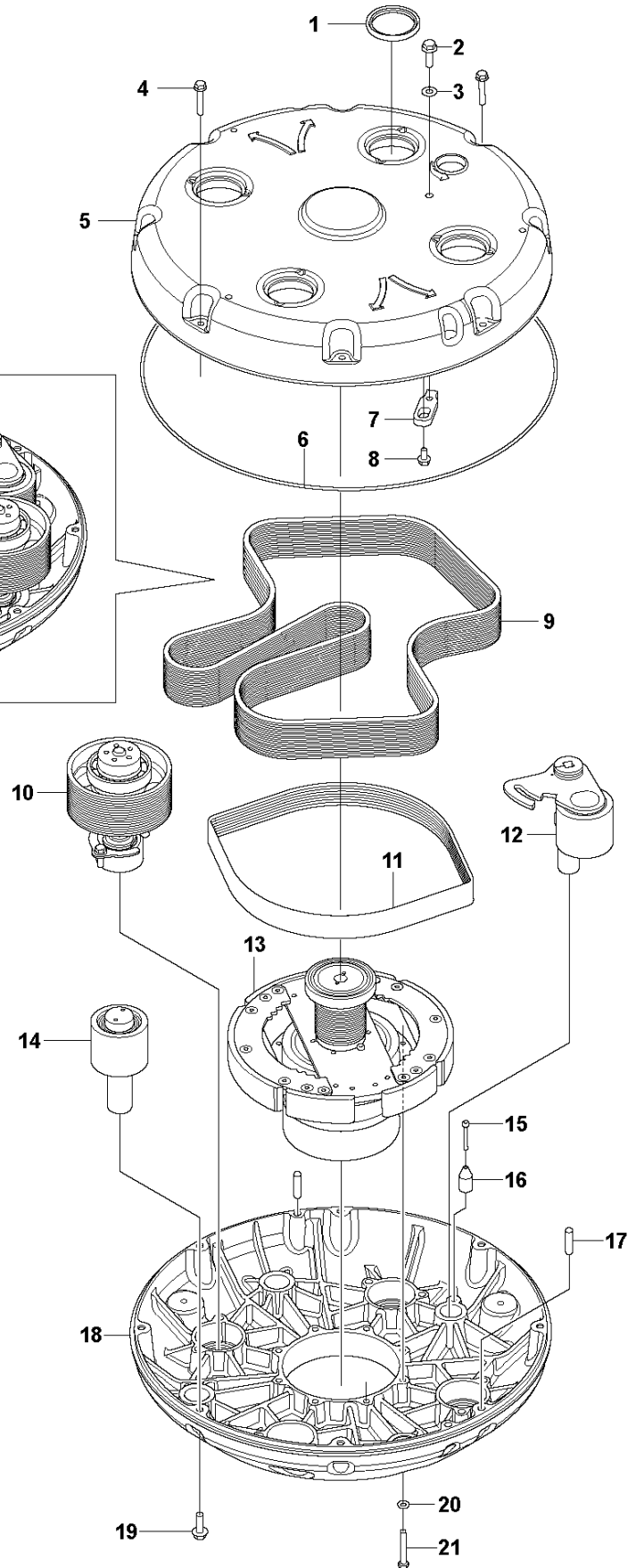
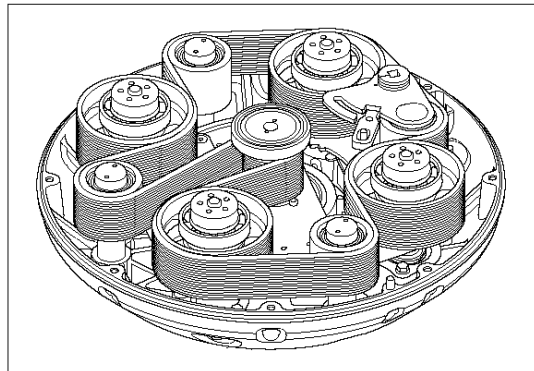


## GRINDING HEAD, LOWER

HTC XP6, 967839311, 967839312

Ref	Part No	Description	Remark	QTY KIT	
1	593 49 99-01	SCREW	M8x16	3	
2	593 61 72-01	CROSS MEMBER	Assembly	1	
3	593 53 60-01	HOLDER	Ø230	1	
4	585 17 39-01	SCREW EHHFM	M8x25	5	
5	593 50 85-01	SCREW	M6x12	4	14
6	593 50 51-01	SCREW	M6x20	4	14
7	593 53 98-01	PLATE	Grind holder	1	14
8	593 43 88-01	ABSORBER	20x25 M6	4	14
9	593 71 81-01	KIT		4	14
10	593 49 91-01	WASHER	M10	4	14
11	593 51 26-01	SCREW	M10x50	4	14
12	593 53 62-01	CONNECTION	Cardan connection	1	14
13	593 53 97-01	PLATE	Grind holder	1	14
14	597 25 45-01	HOLDER	Grind holder 230mm Duratiq 6	1	

**E** DURATIQ XP6  
GRINDING HEAD, INTERNAL

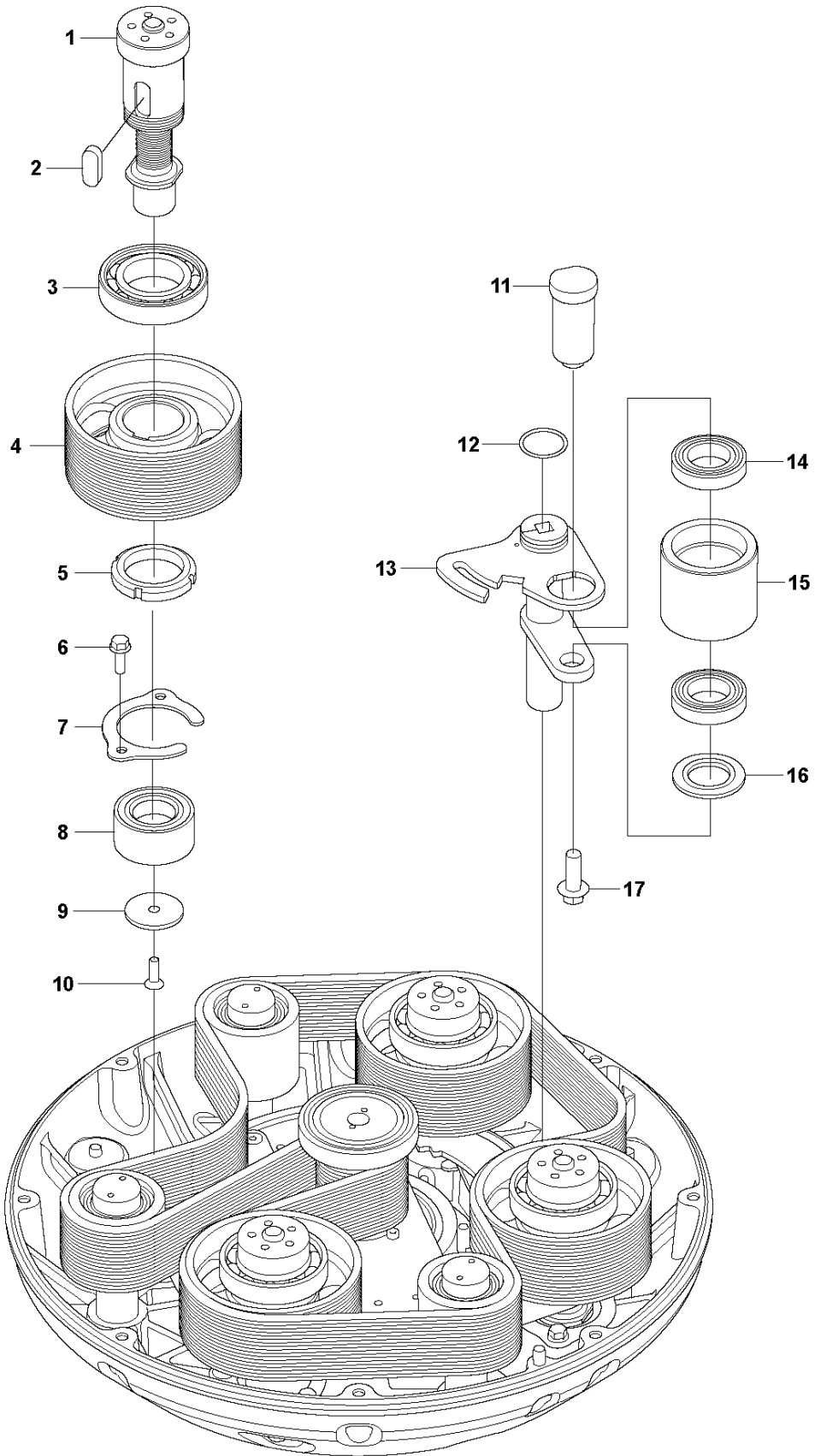


## GRINDING HEAD, INTERNAL

HTC XP6, 967839311, 967839312

Ref	Part No	Description	Remark	QTY KIT
1	593 48 72-01	RADIAL SEAL	60x75x8	4
2	593 96 41-01	SCREW	M10x30	1
3	593 96 42-01	WASHER	Copper washer, 10x20x1	1
4	593 51 37-01	SCREW	M8x45	8
5	595 76 00-01	HOUSING	X6 bottom	1
6	593 48 71-01	O-RING	L1800 Ø2,4	1
7	593 53 81-01	TENSIONER	Tensioner locking plate	1
8	593 96 40-01	SCREW	M8x16	1
9	593 48 73-01	BELT	Primary belt	1
10	593 54 30-01	SHAFT ASSY		4
11	593 49 02-01	BELT	Secondary belt	1
12	593 54 37-01	BELT TENSIONER		1
13	597 79 67-01	HUB ASSY		1
14	593 71 82-01	KIT		3
15	593 51 04-01	SCREW	MC6S M6x50	1
16	595 71 39-01	TENSIONER	Tensioner Stop	1
17	595 68 32-01	PIN	PIN 10x26	2
18	595 76 02-01	HOUSING		1
19	585 98 04-01	SCREW EHHFM	M6SF M10x30	3
20	593 50 04-01	WASHER	M8	8
21	595 67 99-01	SCREW	M8x55	8

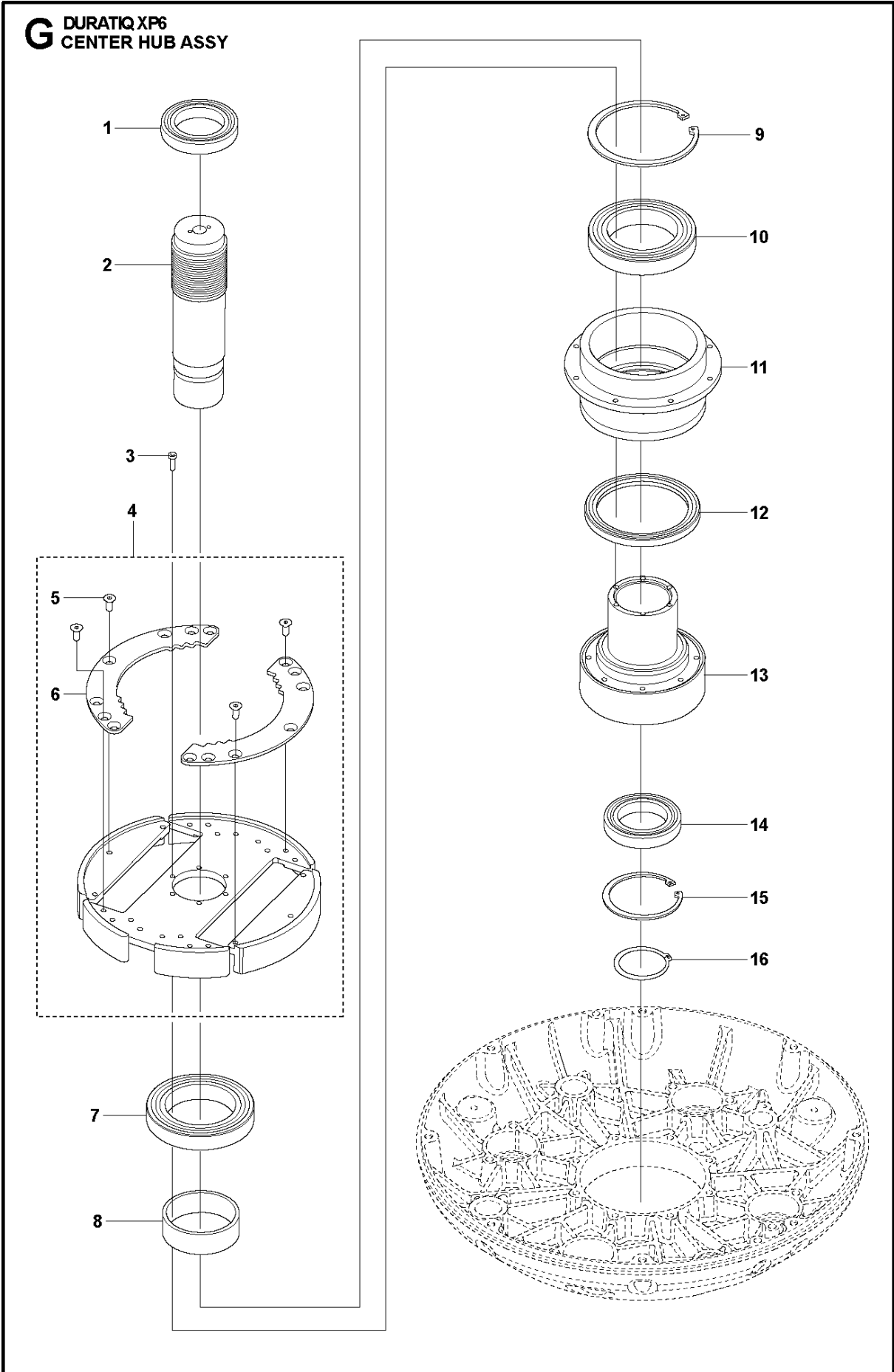
**F** DURATIQ XP6  
IDLER PULLEY ASSY



## IDLER PULLEY ASSY

HTC XP6, 967839311, 967839312

Ref	Part No	Description	Remark	QTY KIT
1	595 76 03-01	SHAFT		1
2	593 48 76-01	KEY		1
3	593 49 27-01	BALL BEARING		1
4	595 75 75-01	PULLEY	Ø150	1
5	593 48 79-01	NUT		1
6	506 57 01-05	SCREW EHHFM	M6SF M8x25	2
7	595 71 00-01	WASHER		1
8	593 48 77-01	BEARING		1
9	595 70 99-01	WASHER		1
10	725 64 53-01	SCREW IHCSFM	M8x25	1
11	595 76 14-01	AXLE	Idler	1
12	593 48 78-01	O-RING		1
13	595 76 06-01	TENSIONER	Weldment	1
14	593 49 28-01	BALL BEARING		2
15	595 70 98-01	PULLEY	Idler Ø80	1
16	595 75 73-01	SPACER		1
17	595 68 01-01	SCREW	M12x35	1



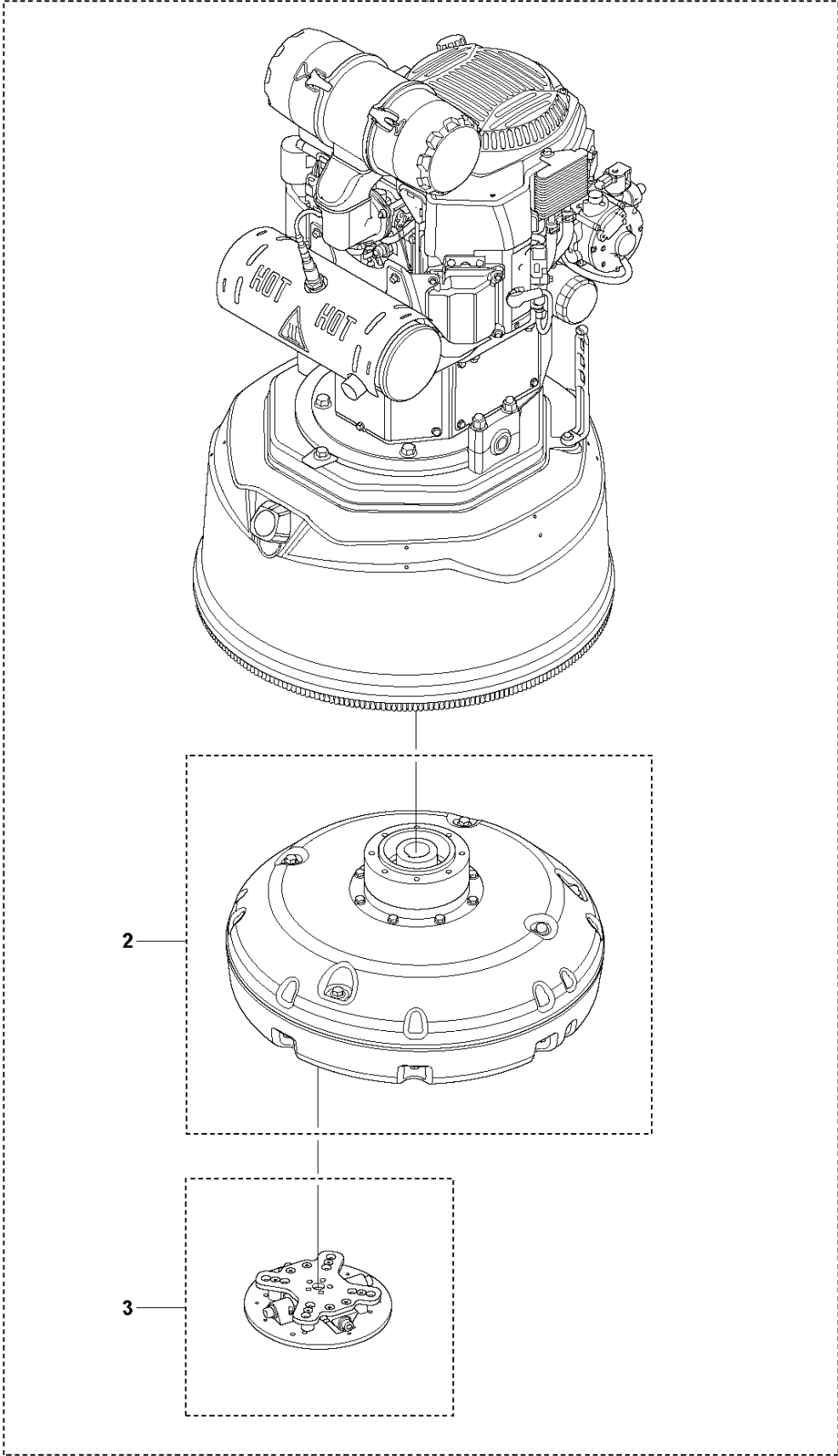
## CENTER HUB ASSY

HTC XP6, 967839311, 967839312

Ref	Part No	Description	Remark	QTY	KIT
1	593 49 26-01	BALL BEARING		1	
2	595 76 01-01	PULLEY	Center Ø75	1	
3	593 51 42-01	SCREW	M6x20	6	
4	595 75 72-01	PULLEY		1	
5	593 50 49-01	SCREW	M8x20	14	4
6	593 51 42-01	SCREW	Pulley 6 lock plate	2	4
7	593 62 99-01	BALL BEARING		1	
8	595 71 31-01	SPACER	Ring	1	
9	593 62 99-01	BALL BEARING		1	
10	595 67 98-01	CIRCLIP	Internal 140x4	1	
11	595 71 30-01	HUB	Center hub outer	1	
12	593 54 29-01	HUB	Shaft	1	
13	593 54 29-01	HUB	Center	1	
14	593 49 26-01	BALL BEARING		1	
15	593 50 30-01	CIRCLIP	Internal	1	
16	593 50 29-01	CIRCLIP	External	1	

**H** DURATIQ XP6  
GRINDING HEAD

1

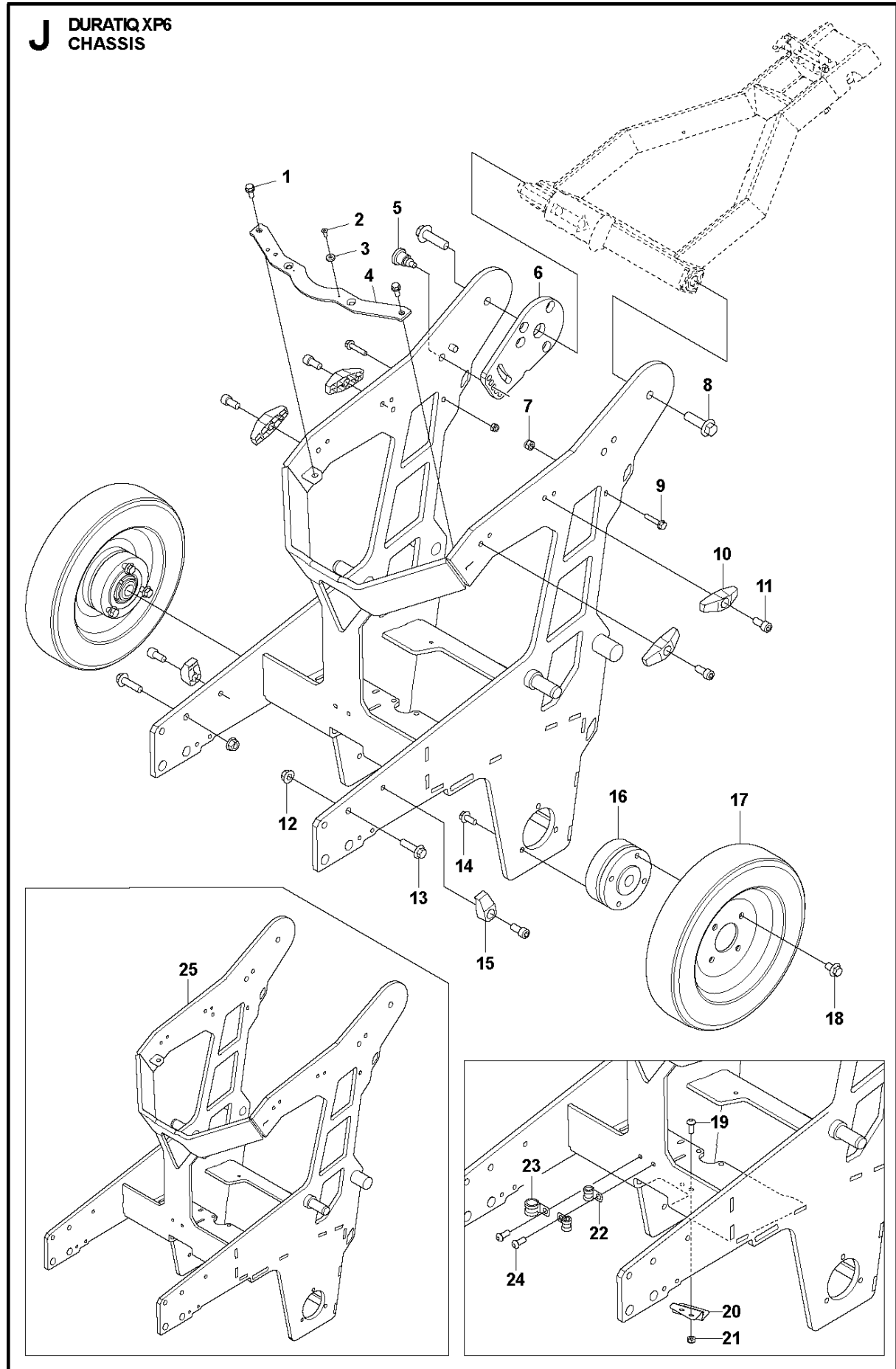




GRINDING HEAD

HTC XP6, 967839311, 967839312

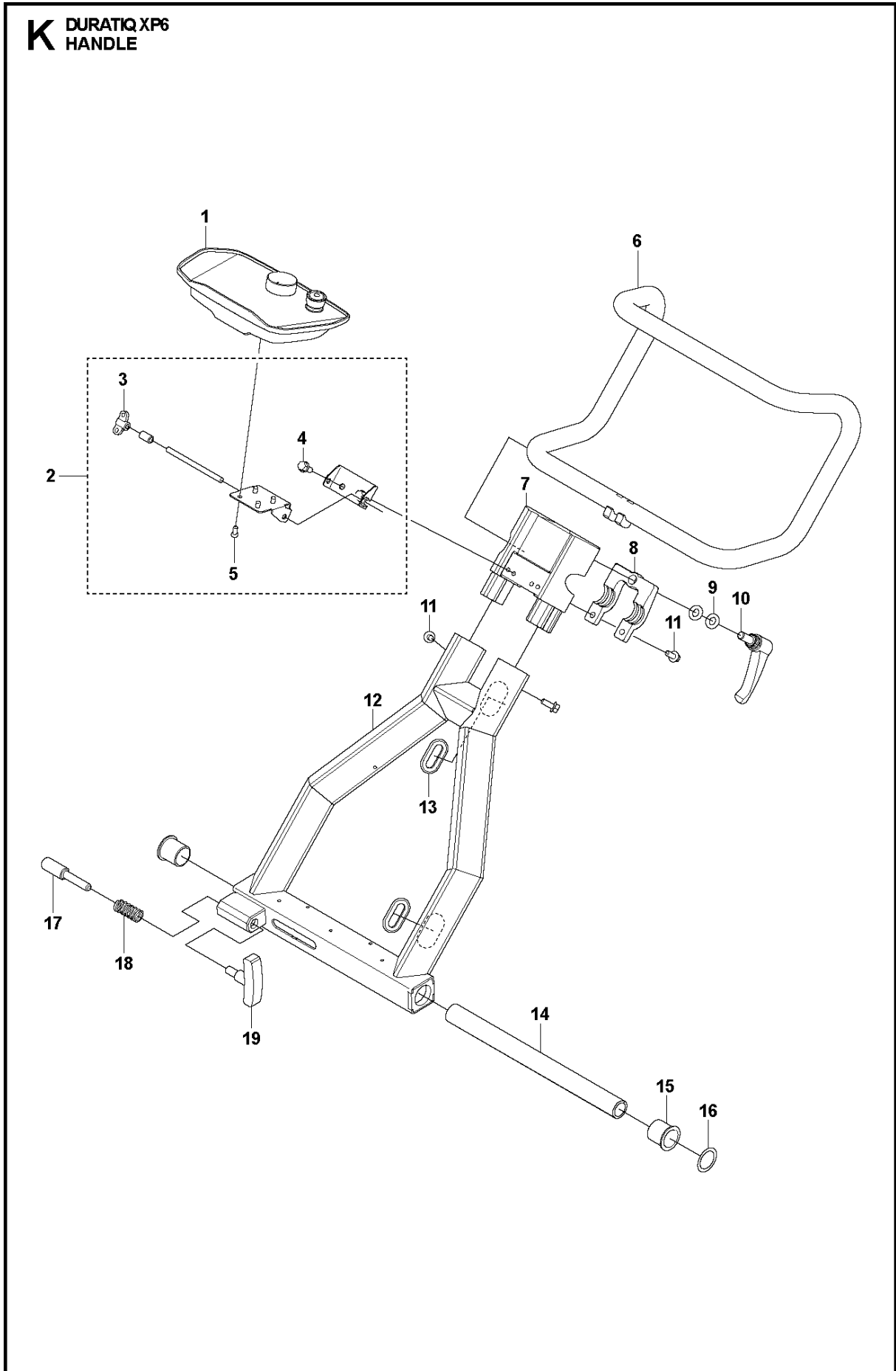
Ref	Part No	Description	Remark	QTY KIT	
1	597 74 26-01	GRINDING HEAD	COMPLETE	1	
2	597 79 44-01	GRINDING HEAD	Bare	1	1
3	597 25 45-01	HOLDER	Grind holder 230mm Duratig 6	1	1



## CHASSIS

HTC XP6, 967839311, 967839312

Ref	Part No	Description	Remark	QTY KIT
1	593 51 35-01	SCREW	M8x20	2
2	595 68 05-01	SCREW	m3x8,8	2
3	593 49 17-01	MAGNET	Ø16x4,5	2
4	595 75 90-01	COVER	Cover locking plate	1
5	593 48 65-01	PISTON	LEVER INDEXING PLUNGER M16 Ø10	1
6	599 27 20-01	HANDLE	HANDLE ADJUSTMENT PLATE 6/8	1
7	576 64 57-03	NUT FLANGE	Nut flange with nylon ring	2
8	595 68 12-01	SCREW	M16x55	2
9	535 47 52-40	SCREW EHHFM	M6x40	2
10	593 53 85-01	COUNTERWEIGHT	fixing block	4
11	595 68 13-01	SCREW	M12x20	6
12	593 51 39-01	LOCK NUT	M12	4
13	593 63 04-01	SCREW	M12x45	4
14	593 51 38-01	SCREW	M10x25	6
15	593 53 86-01	COUNTERWEIGHT	block front	2
16	595 71 10-01	HUB		2
17	593 48 93-01	WHEEL	Ø360x85	2
18	595 68 13-01	SCREW	M12x20	8
19	504 75 02-02	SCREW IHPANM	M 8 X 20 10.9 ZPB	1
20	598 84 25-01	BRACKET		1
21	522 91 94-01	LOCK NUT	M8	1
22	589 66 91-04	CLIP		1
23	589 66 91-03	CLIP	M6/Ø14	1
24	504 75 02-02	SCREW IHPANM	M 8 X 20 10.9 ZPB	2
25	595 75 79-01	CHASSIS	Weldment	1

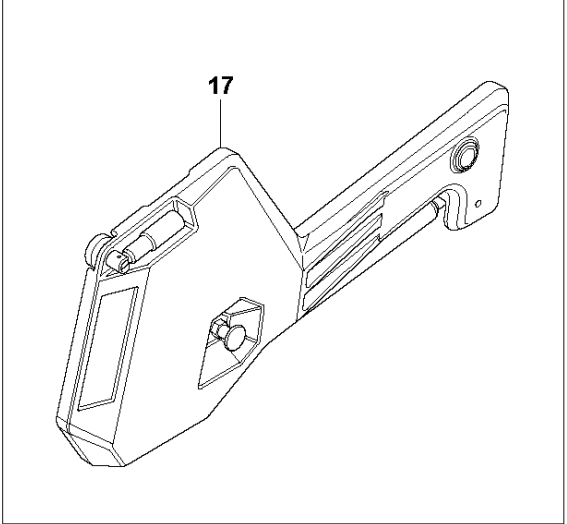
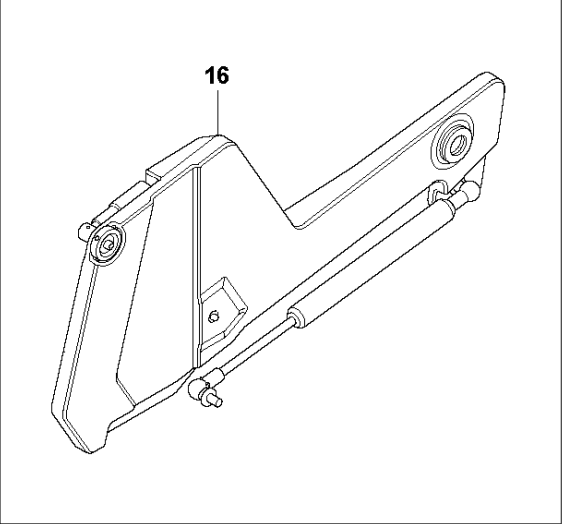
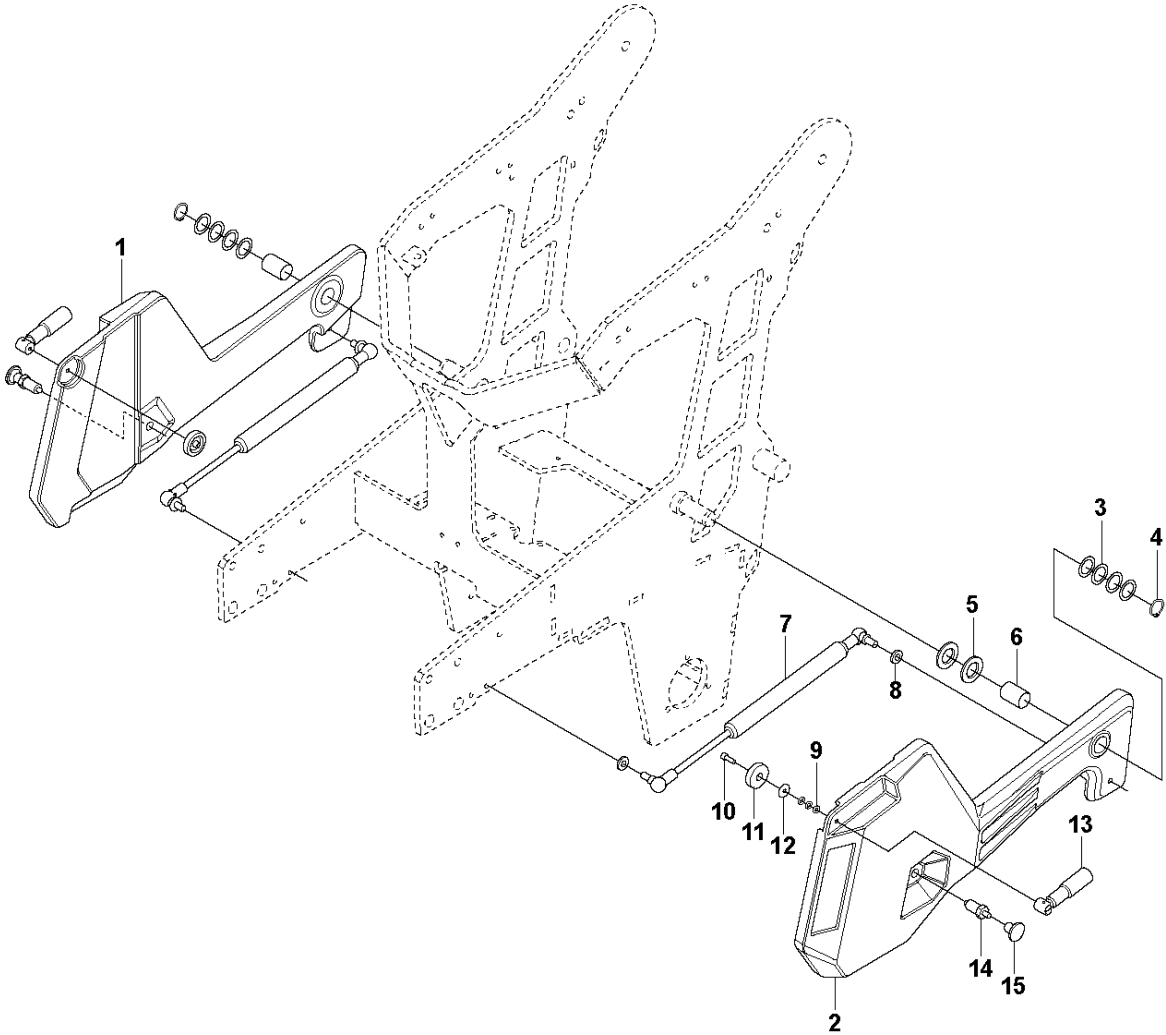


## HANDLE

HTC XP6, 967839311, 967839312

Ref	Part No	Description	Remark	QTY	KIT
1	593 54 92-01	CONTROL PANEL	Complete	1	
2	597 25 50-01	CONTROL PANEL	Bracket assy	1	
3	593 48 63-01	KNOB	Wing knob	1	2
4	593 51 35-01	SCREW	M8x20	2	2
5	595 67 30-01	SCREW	M6X10	4	2
6	593 53 76-01	HANDLEBAR		1	
7	595 53 12-01	HANDLE BRACKET		1	
8	595 75 57-01	HANDLEBAR	Handlebar clamp	1	
9	593 49 94-01	WASHER	M12	2	
10	593 48 64-01	HANDLE	Adjustable M12x32	1	
11	593 51 35-01	SCREW	M8x20	2	
12	595 75 59-01	HANDLE	Weldment	1	
13	595 65 90-01	GROMMET	31x48x14	2	
14	595 70 93-01	HANDLE	Shaft	1	
15	593 48 62-01	BEARING	Flanged	1	
16	595 66 20-01	SPRING	Spring washer	2	
17	598 87 56-01	PIN	Lever index	1	
18	593 48 57-01	SPRING	5x30	1	
19	598 87 57-01	HANDLE	T-handle	1	

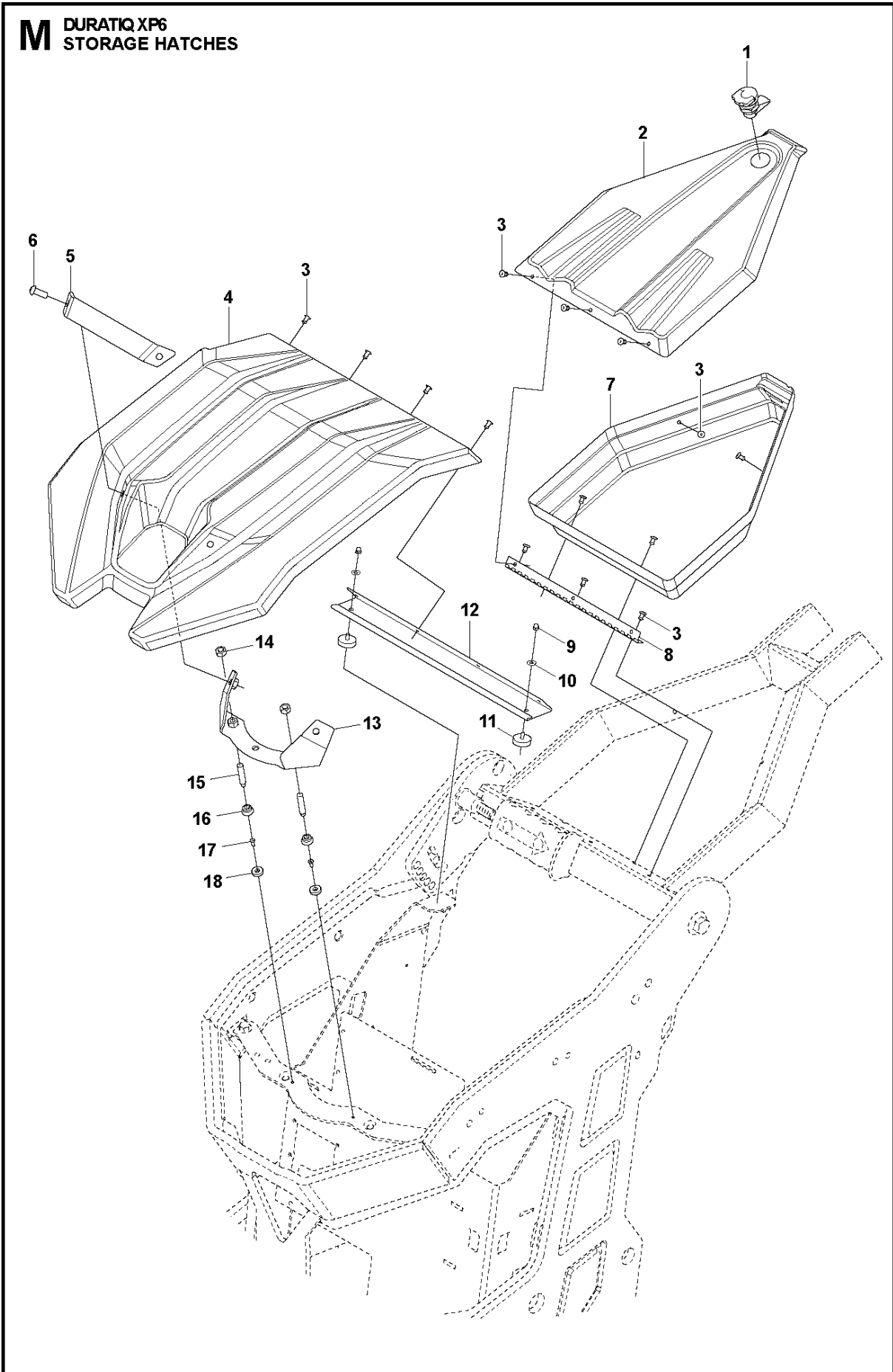
**L** DURATIQ XP6  
WEIGHT ASSY



## WEIGHT ASSY

HTC XP6, 967839311, 967839312

Ref	Part No	Description	Remark	QTY KIT
1	595 75 69-02	WEIGHT	Arm, right	1
2	595 75 67-02	WEIGHT	Arm, left	1
3	598 45 86-01	SHIM	25x30x0,3	8
4	593 49 68-01	CIRCLIP	External	2
5	593 50 44-01	WASHER	26x45x4	4
6	593 41 72-01	BUSHING		2
7	593 58 23-01	GAS SPRING		2
8	593 49 57-01	WASHER	M10	4
9	593 50 04-01	WASHER	M8	6
10	593 49 71-01	SCREW	M6x20	2
11	593 54 39-01	WHEEL	Ø40x10	2
12	593 50 93-01	WASHER	M6	2
13	593 48 68-01	HANDLE	M6	2
14	593 48 66-01	PISTON	Lever indexing	2
15	593 48 67-01	KNOB	Female threaded M8	2
16	595 71 02-01	WEIGHT KIT	Kit, right	1
17	595 71 01-01	WEIGHT KIT	Kit, Left	1

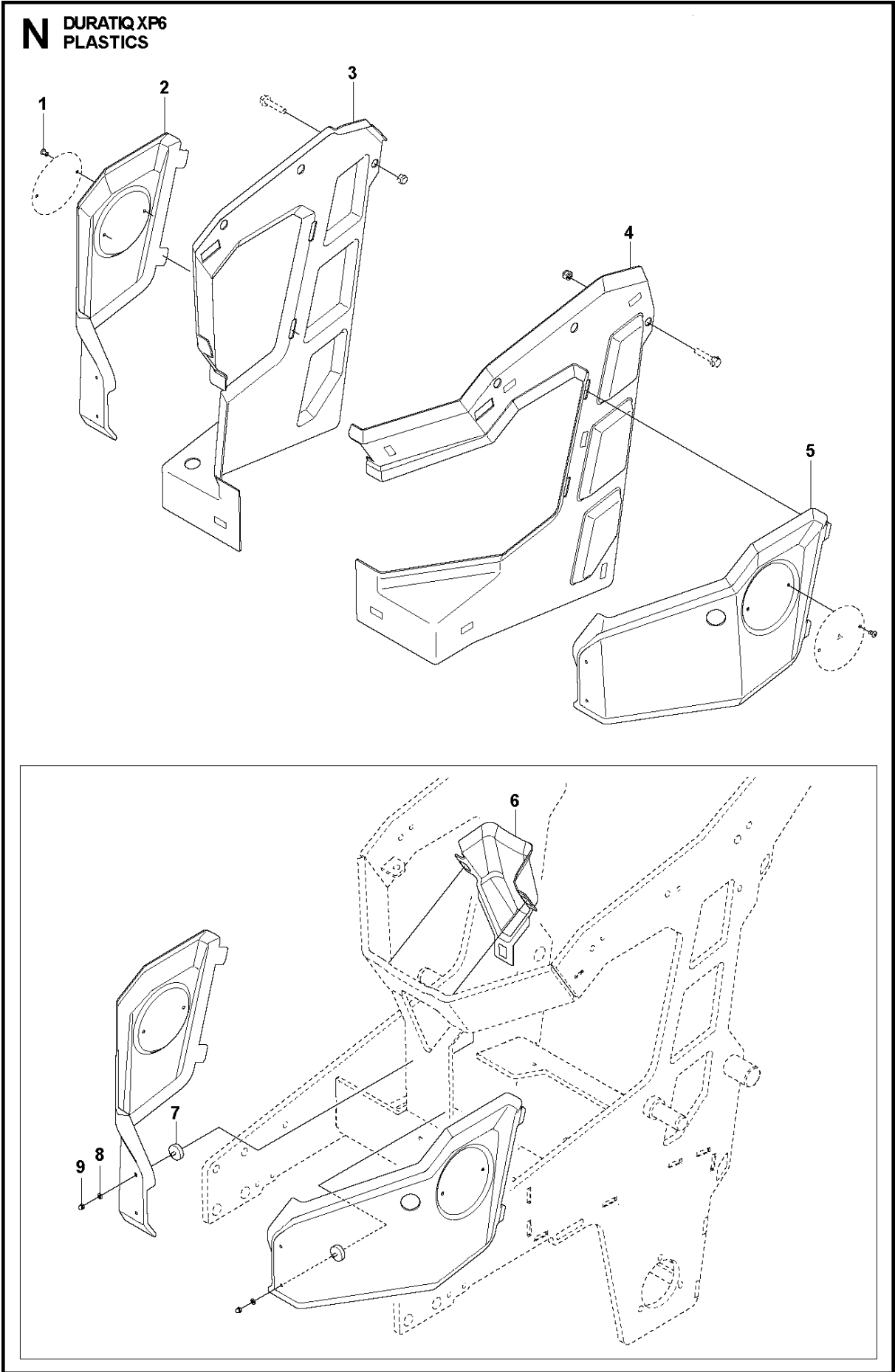




## STORAGE HATCHES

HTC XP6, 967839311, 967839312

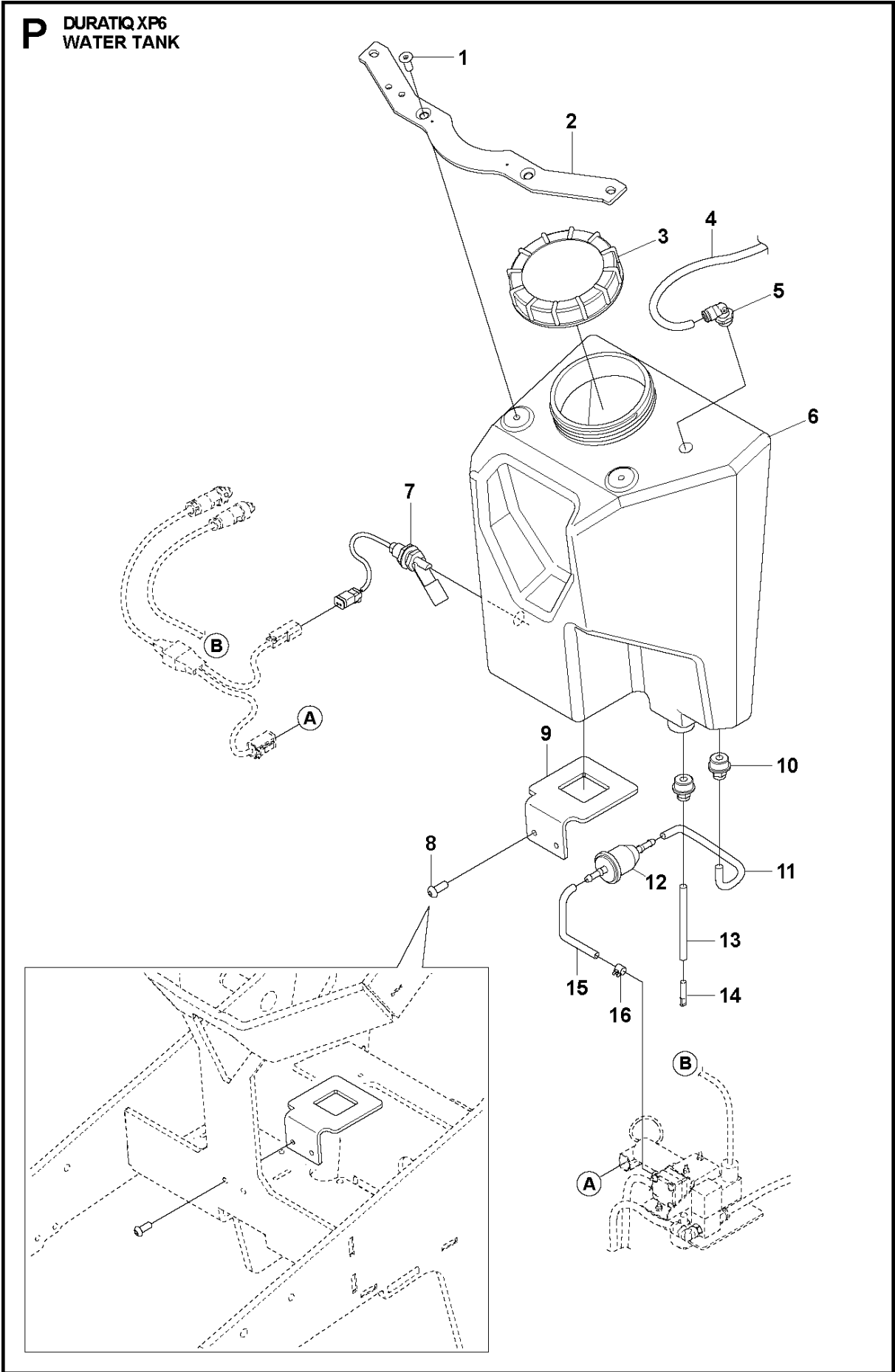
Ref	Part No	Description	Remark	QTY KIT
1	595 66 04-01	GLOVE	Cover lock	1
2	529 51 93-01	COVER		1
3	593 51 46-01	RIVET	Blind	14
4	595 75 88-02	COVER	Machine cover top	1
5	595 75 92-01	COVER	Cover handle	1
6	595 68 07-01	SCREW	M8x20	2
7	529 51 95-01	COVER	Compartment lower	1
8	595 71 27-01	GLOVE	Compartment hinge	1
9	595 68 14-01	NUT	M4	2
10	595 67 27-01	WASHER	M4	2
11	593 49 21-01	MAGNET	Ø25x7	2
12	598 47 25-01	BRACKET	Hatch bracket	1
13	595 71 18-01	COVER	Cover magnet bracket	1
14	593 50 47-01	NUT	M8	2
15	595 66 01-01	SCREW		2
16	595 66 02-01	PAD		2
17	595 68 05-01	SCREW	M3x8	2
18	593 49 17-01	MAGNET		2



## PLASTICS

HTC XP6, 967839311, 967839312

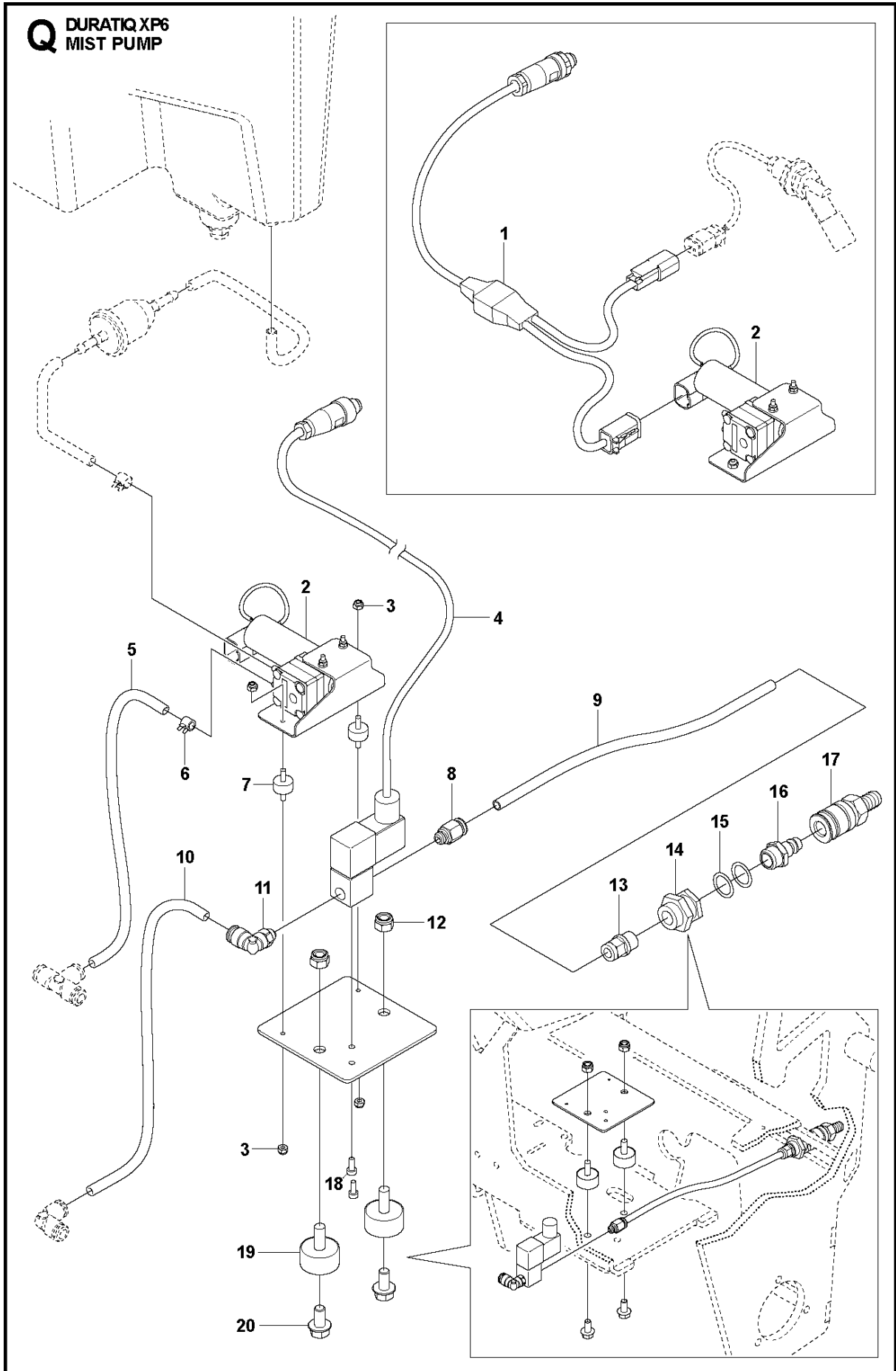
Ref	Part No	Description	Remark	QTY KIT
1	593 51 46-01	RIVET	Blind	4
2	595 53 16-02	COVER	Right hatch	1
3	595 71 34-02	COVER	Right side	1
4	595 71 33-02	COVER	Left side	1
5	598 75 28-02	HATCH	Left hatch	1
6	595 71 35-02	COVER	Central	1
7	593 49 21-01	MAGNET	Ø25x7	4
8	595 67 27-01	WASHER	M4	4
9	595 68 14-01	NUT	M4	4



## WATER TANK

HTC XP6, 967839311, 967839312

Ref	Part No	Description	Remark	QTY KIT
1	593 50 49-01	SCREW	M8x20	2
2	595 75 90-01	COVER	Cover locking plate	1
3	595 65 95-01	WATER TANK	Tank cap	1
4	593 48 87-01	HOSE	370mm Ø8/6	1
5	593 48 98-01	CONNECTOR	8mm	1
6	593 53 79-01	TANK	Water	1
7	595 65 96-01	SWITCH	Level switch	1
8	595 68 07-01	SCREW	M8x20	2
9	595 75 70-01	WATER TANK	Tank lower bracket	1
10	593 48 90-01	CONNECTOR		2
11	593 48 87-01	HOSE	370mm Ø8/6	1
12	593 49 13-01	PREFILTER		1
13	593 48 87-01	HOSE	200mm Ø8/6	1
14	593 48 86-01	CONNECTOR	Ø6	1
15	593 48 87-01	HOSE	370mm Ø8/6	1
16	599 20 19-01	CLIP	Spring clip	2

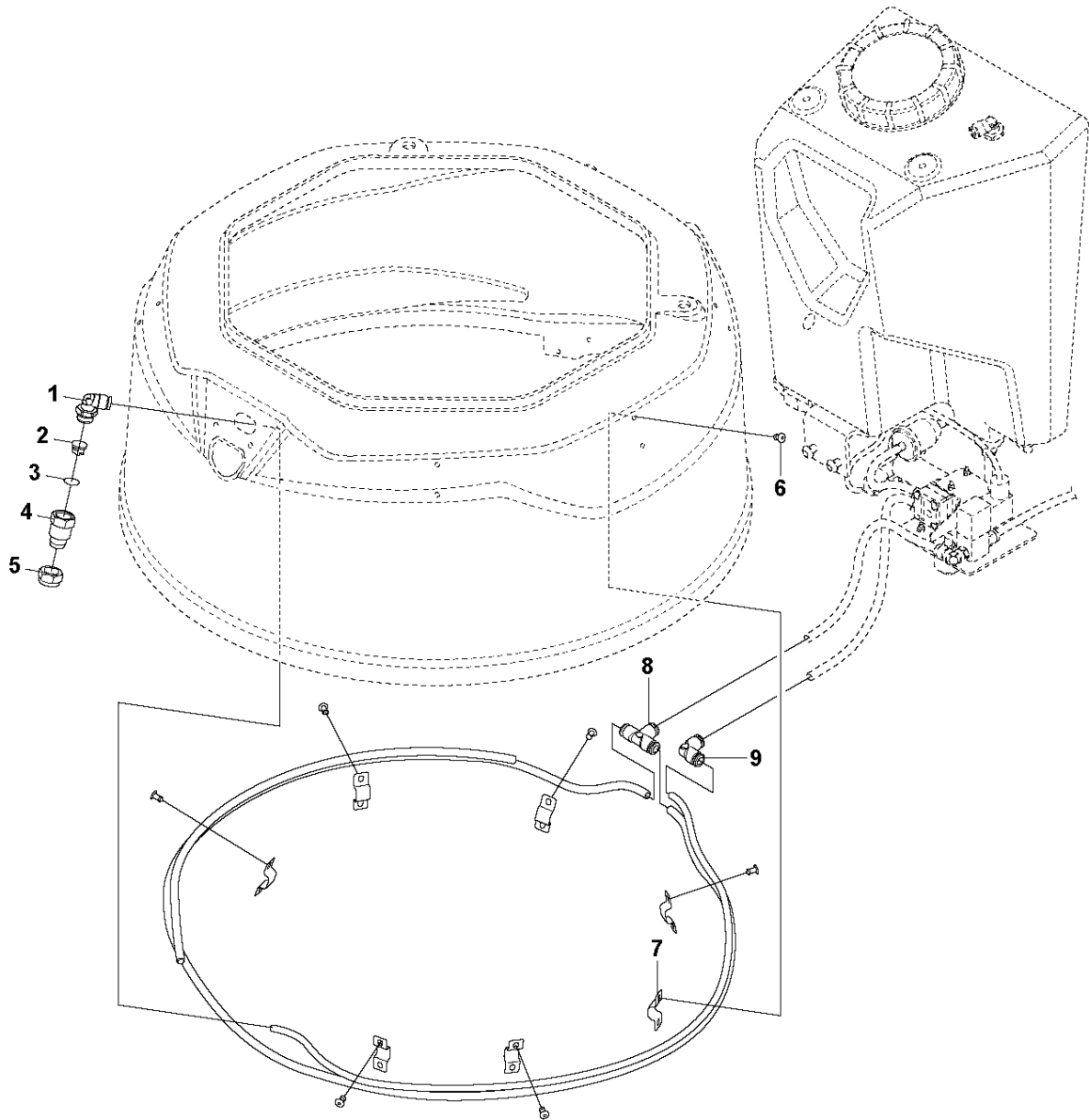


## MIST PUMP

HTC XP6, 967839311, 967839312

Ref	Part No	Description	Remark	QTY KIT
1	593 54 96-01	CABLE	Mist	1
2	599 22 59-01	WATER PUMP	Water pump 12V with cable	1
3	732 21 12-01	LOCK NUT	M4	4
4	593 54 97-01	VALVE	Cable water	1
5	593 48 87-01	HOSE	370mm Ø8/6	1
6	599 20 19-01	CLIP	FJP-8	2
7	598 93 64-01	DAMPER	Vibration damper M4	2
8	593 48 81-01	CONNECTOR	Straight 8	1
9	593 48 87-01	HOSE	370mm Ø8/6	1
10	593 48 87-01	HOSE	420mm Ø8/6	1
11	593 48 84-01	CONNECTOR	Elbow 8	1
12	732 21 18-01	LOCK NUT	M8	2
13	593 48 89-01	CONNECTOR	Straight 8	1
14	593 48 88-01	CONNECTOR	Bulkhead 1/4F-1/4F	1
15	595 66 18-01	SEAL	SEAL WASHER M12	2
16	593 48 91-01	CONNECTOR	Quick Male 1/4M	1
17	593 48 92-01	CONNECTOR	Female Ø12	1
18	593 50 89-01	SCREW	M4x10	2
19	593 48 80-01	DAMPER	Vibration, M8	2
20	593 96 40-01	SCREW	M8x16	2

**R** DURATIQ XP6  
MIST SYSTEM, GRINDING HEAD



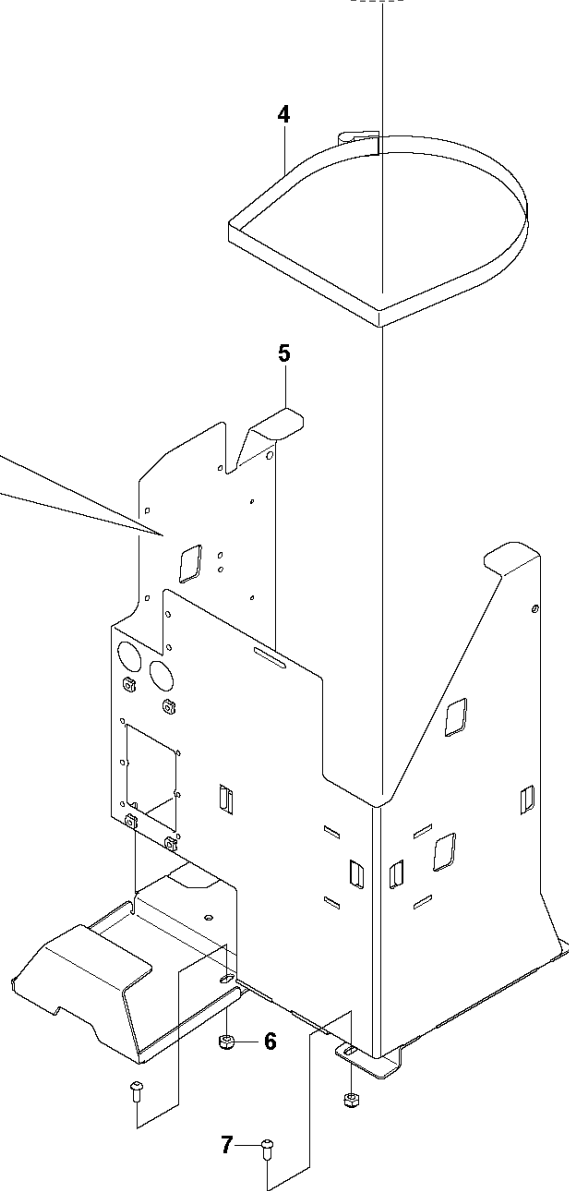
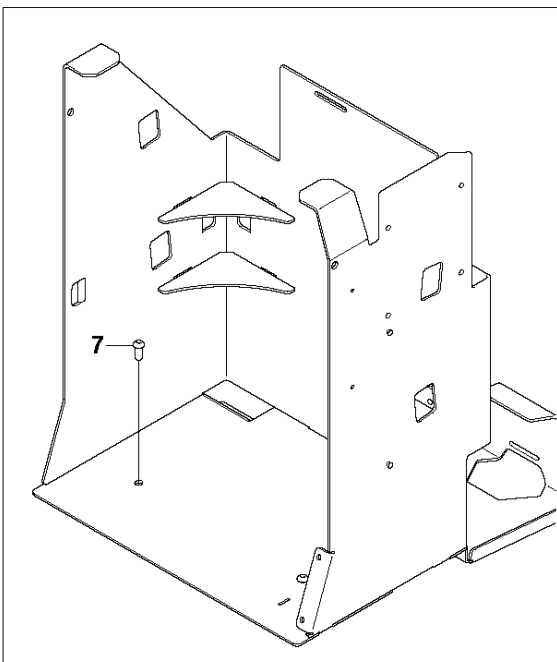
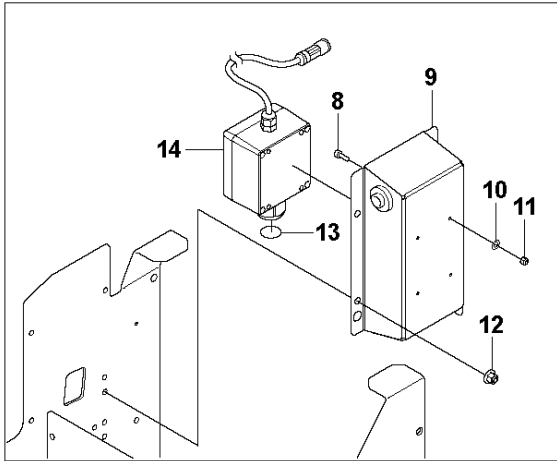
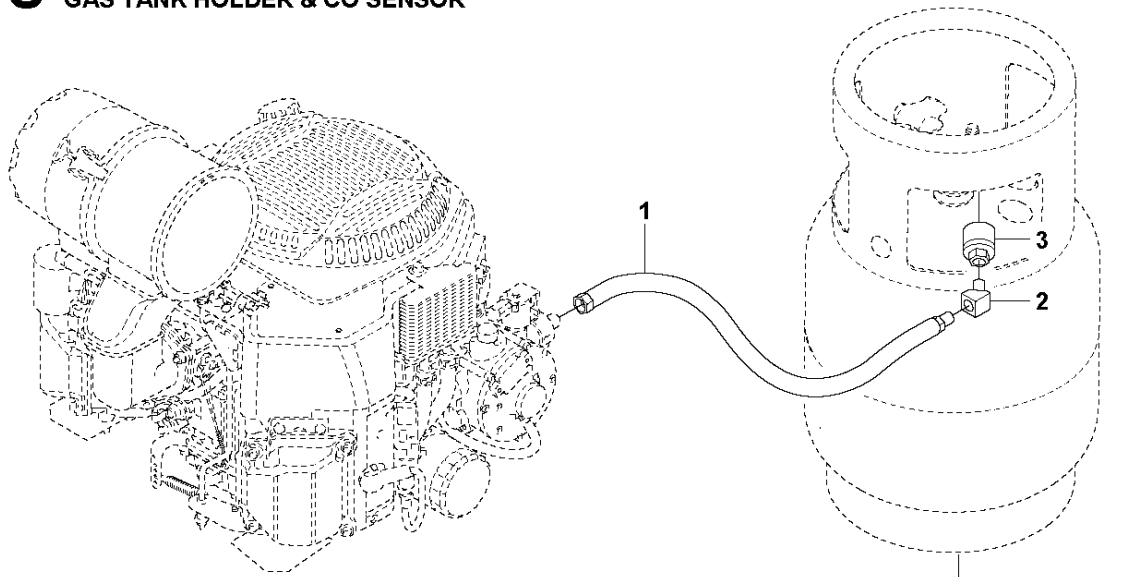


## MIST SYSTEM

HTC XP6, 967839311, 967839312

Ref	Part No	Description	Remark	QTY KIT
1	593 48 98-01	CONNECTOR		1
2	593 61 73-01	EXTENSION JOINT		1
3	593 48 99-01	FILTER	Filter, 100Mesh	1
4	593 49 00-01	NOZZLE		1
5	593 49 01-01	NUT		1
6	593 51 46-01	RIVET	Blind	14
7	595 74 60-01	CLIP	2xØ8mm	7
8	593 48 95-01	CONNECTOR	T 8	1
9	593 48 97-01	CONNECTOR	Elbow 8	1

**S** DURATIQ XP6  
GAS TANK HOLDER & CO SENSOR

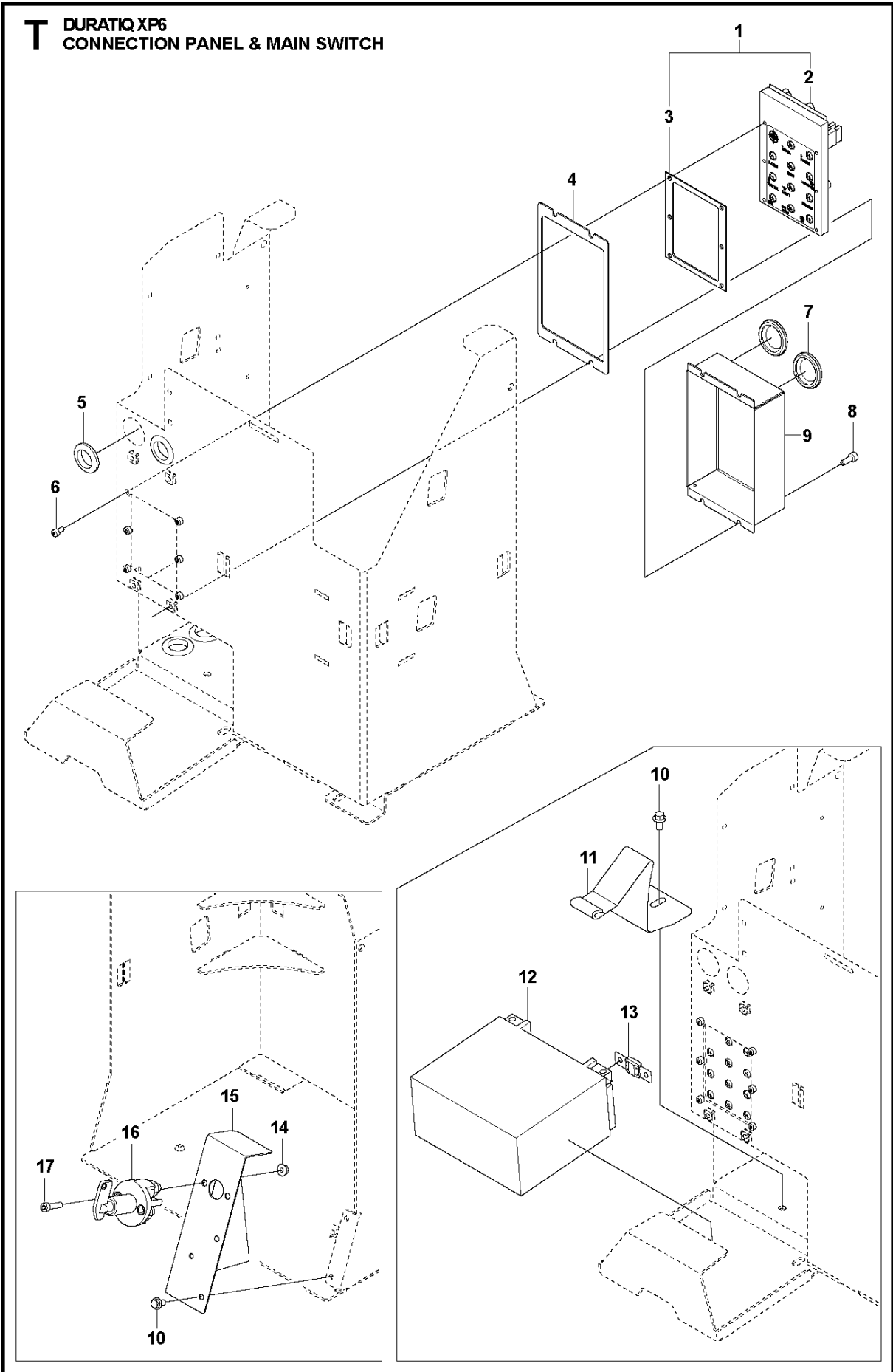


## GAS TANK HOLDER &amp; CO SENSOR

HTC XP6, 967839311, 967839312

Ref	Part No	Description	Remark	QTY KIT
1	597 69 00-01	HOSE	Hose assy	1
2	525 55 04-01	FITTING	ELBO 45	1
3	593 03 37-01	COUPLER	to Propane Tank	1
4	597 97 28-01	STRAP	Strap with latch	1
5	598 44 19-01	MOUNTING PLATE		1
6	522 91 94-01	LOCK NUT	M8	2
7	504 75 02-02	SCREW IHPANM	M8x20	3
8	593 50 64-01	SCREW	M4x16	4
9	599 43 25-01	BRACKET	Sensor bracket	1
10	595 67 27-01	WASHER	M4	4
11	595 67 26-01	LOCK	M4	4
12	576 64 57-03	NUT FLANGE	M6	4
13	599 93 03-01	FILTER	Sensor filter	1
14	599 47 16-01	SENSOR ASSY	CO-sensor	1

**T** DURATIQ XP6  
CONNECTION PANEL & MAIN SWITCH



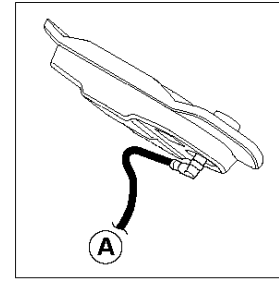
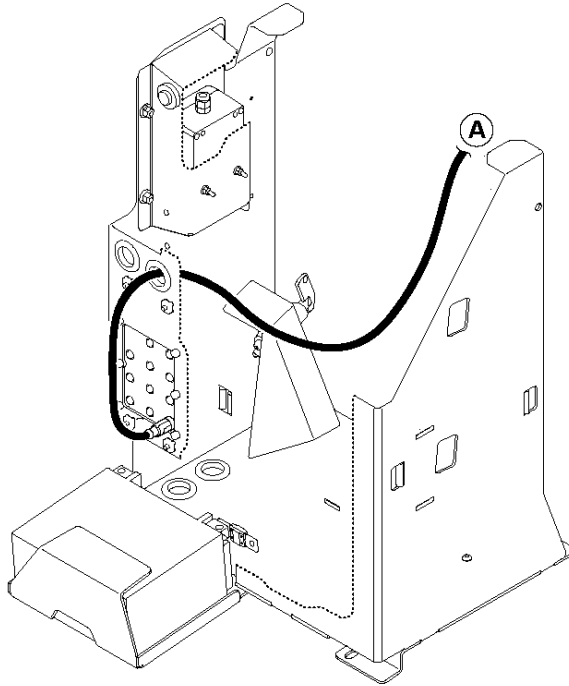
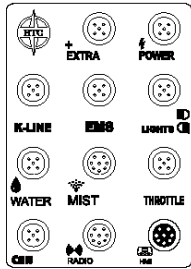
## CONNECTION PANEL &amp; MAIN SWITCH

HTC XP6, 967839311, 967839312

Ref	Part No	Description	Remark	QTY KIT
1	597 99 84-01	ELECTRIC MODULE	Main circuit board	1
2	598 93 82-01	CONTROL BOARD		1
3	593 53 63-01	GASKET	Main circuit board	1
4	598 00 65-01	SEALING	Main board cover	1
5	595 65 90-01	GROMMET		4
6	593 50 52-01	SCREW	M5x10	6
7	598 00 60-01	PLUG		2
8	725 53 68-56	SCREW IHSCM	M6x16	4
9	598 00 55-01	BOX		1
10	591 46 85-01	SCREW	M6x12	3
11	598 44 46-01	BRACKET	Battery bracket	1
12	596 60 87-01	BATTERY	12V 20Ah	1
13	598 68 52-01	FUSE	100A M8	1
14	503 22 00-06	HEXAGON NUT	M6	2
15	598 00 59-01	BRACKET	Main switch bracket	1
16	594 89 68-01	SWITCH	Battery master	1
17	725 53 72-65	SCREW IHSCM	M6x25	2

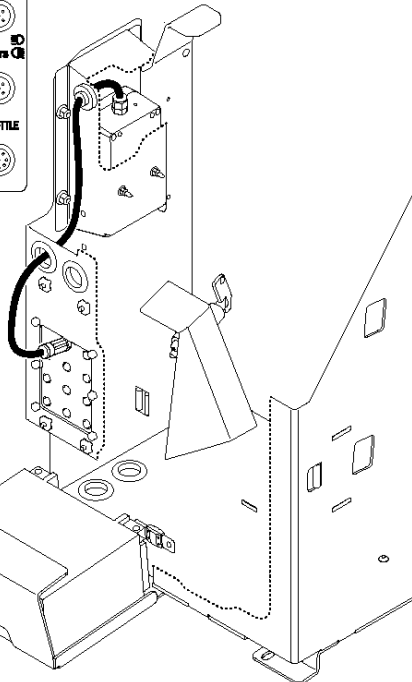
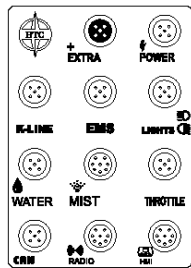
# U DURATIQ XP6 ELECTRICAL WIRING - CONTROL, SENSOR, THROTTLE

## CONTROL PANEL

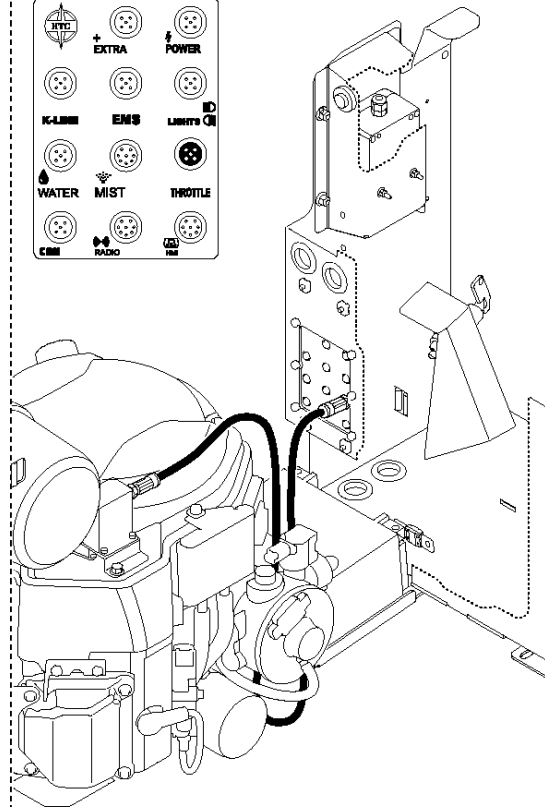
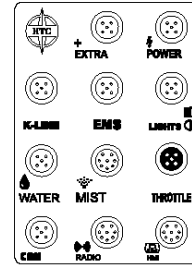


1

## 2 CO SENSOR



## 3 THROTTLE



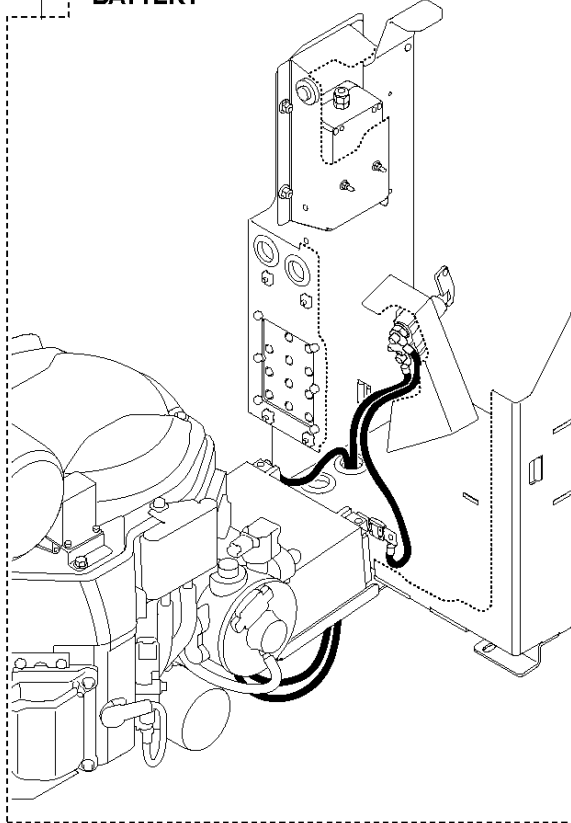
## ELECTRICAL WIRING

HTC XP6, 967839311, 967839312

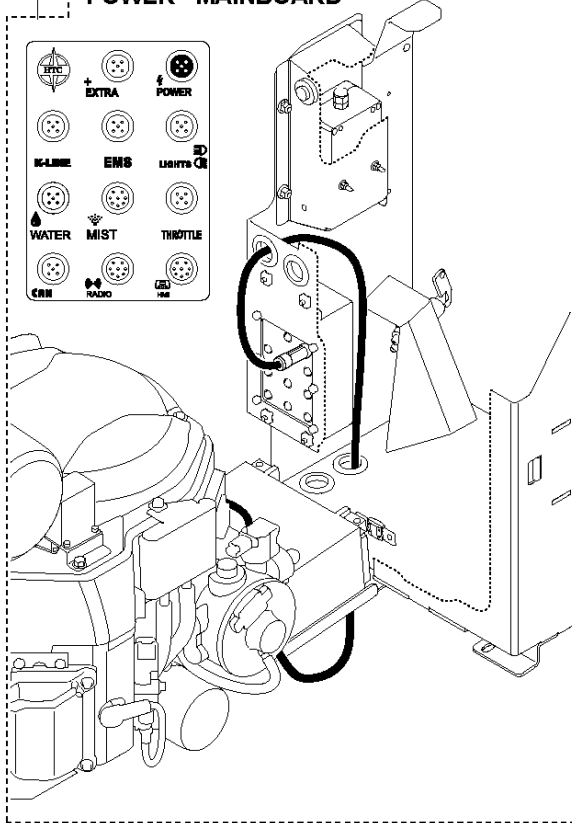
Ref	Part No	Description	Remark	QTY KIT
1	595 77 18-01	CABLE	CONTROL PANEL - DURATIQ XP6	1
2	599 47 16-01	SENSOR ASSY		
3	598 56 14-01	CABLE	THROTTLE - DURATIQ XP6	1

**V** DURATIQ XP6  
ELECTRICAL WIRING - POWER, K-LINE, EMS

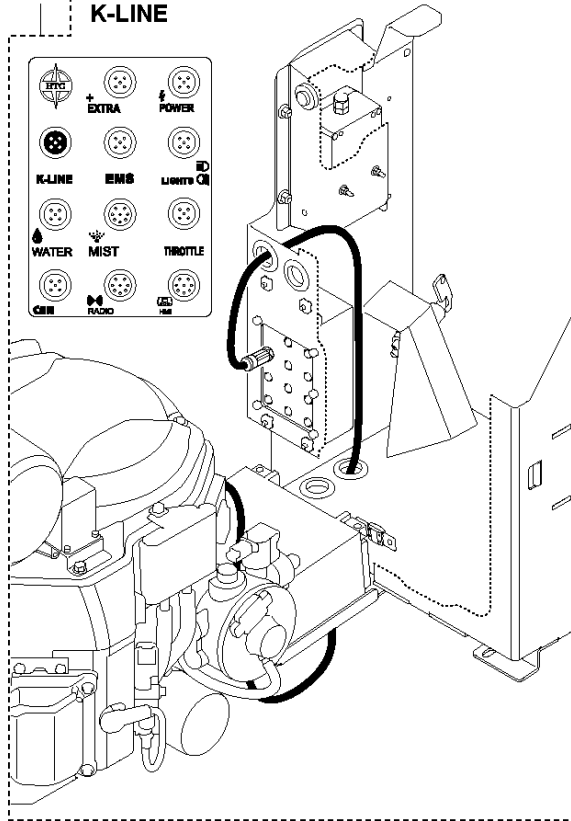
**1** BATTERY



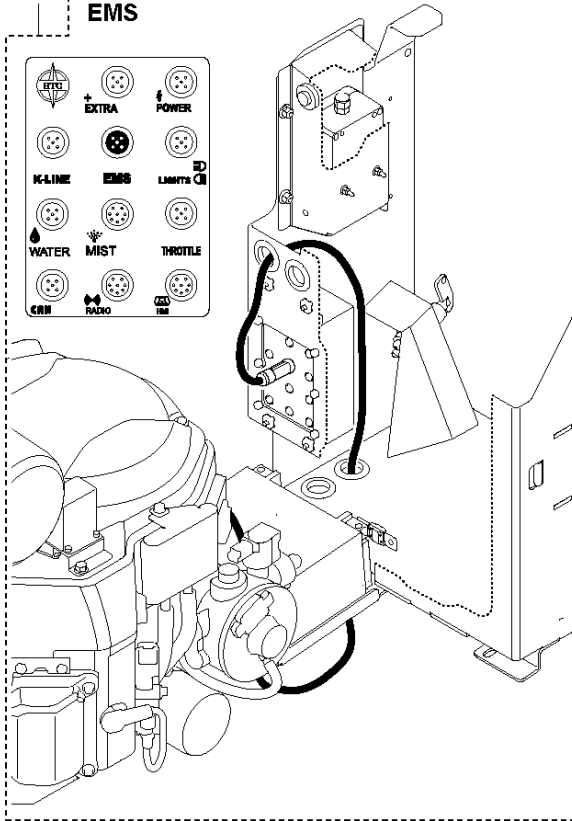
**2** POWER - MAINBOARD



**3** K-LINE



**4** EMS



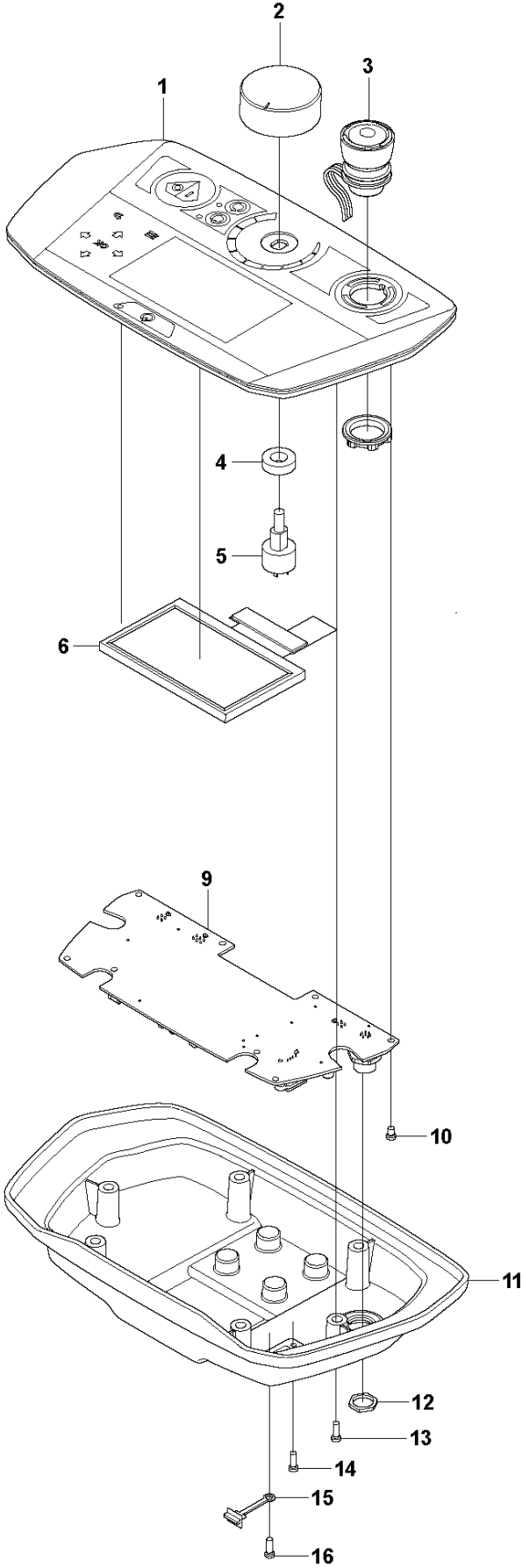


ELECTRICAL WIRING

HTC XP6, 967839311, 967839312

Ref	Part No	Description	Remark	QTY KIT
1	598 97 90-01	CABLE ASSY	CABLE KIT - BATTERY - DURATIQXP6	1
2	598 97 87-01	CABLE ASSY	CABLE KIT - POWER MAIN BOARD - DURATIQ XP6	1
3	598 97 86-01	CABLE ASSY	CABLE KIT - K-LINE - DURATIQ XP6	1
4	598 97 85-01	CABLE ASSY	CABLE KIT - EMS - DURATIQ XP6	1

**W** DURATIQ XP6  
CONTROL PANEL

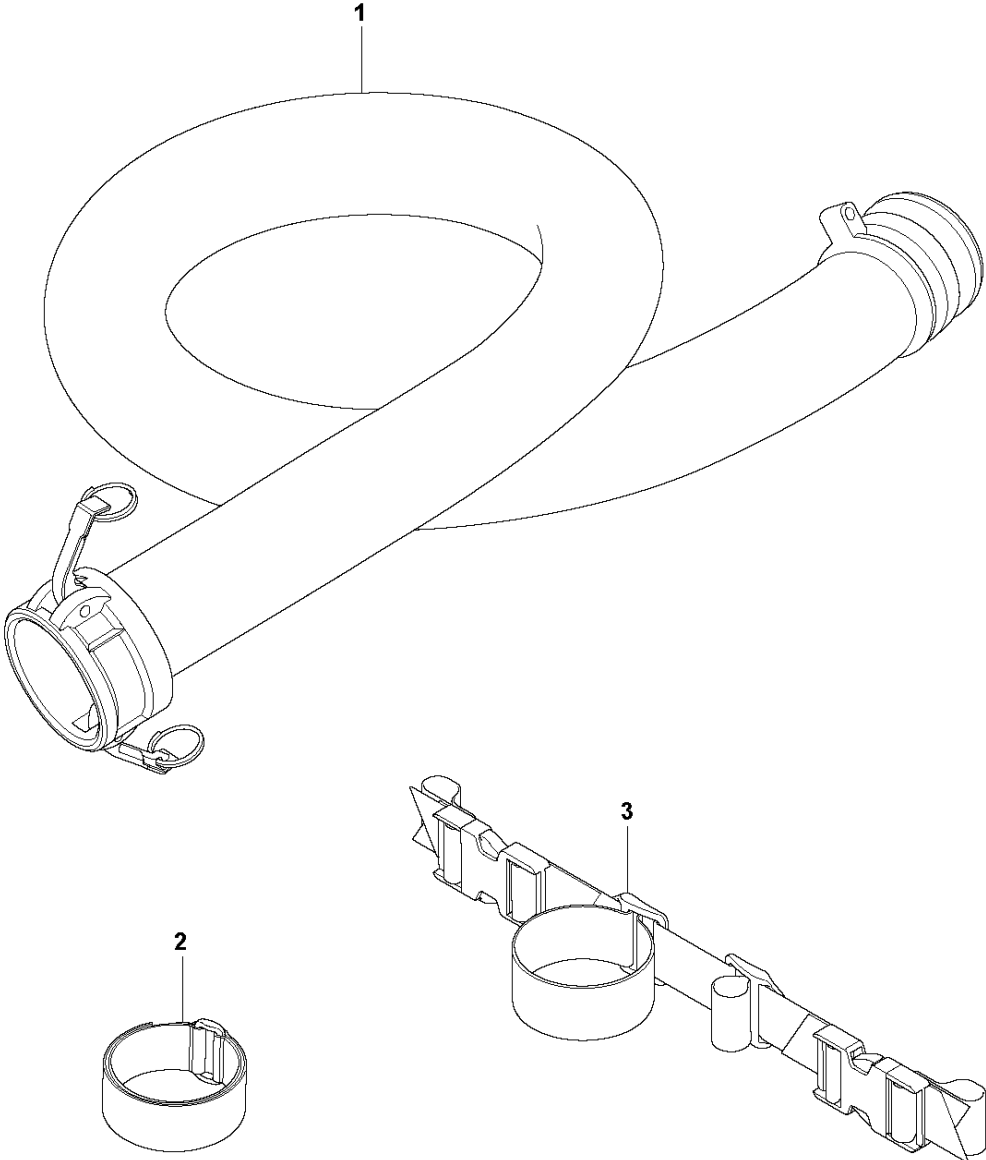


## CONTROL PANEL

HTC XP6, 967839311, 967839312

Ref	Part No	Description	Remark	QTY KIT
1	595 71 21-01	CONTROL	Front panel	1
2	593 49 18-01	KNOB	Control panel	1
3	593 54 08-01	PUSH BUTTON	Emergency stop	1
4	595 75 93-01	POTENTIOMETER	Gasket	1
5	595 71 24-01	POTENTIOMETER	Control panel	1
6	594 07 87-01	DISPLAY	Control panel	1
9	593 54 07-01	ELECTRIC MODULE	Control panel	1
10	595 68 16-01	SCREW	M3x6	2
11	595 75 82-01	CONTROL	Panel enclosure	1
12	595 68 18-01	NUT		1
13	595 68 11-01	SPRING	Pin 10x20	6
14	595 68 19-01	SCREW		1
15	595 74 32-01	COVER	USB	1
16	595 68 20-01	SCREW		1

**X** DURATIQ XP6  
MISC SPARE PARTS

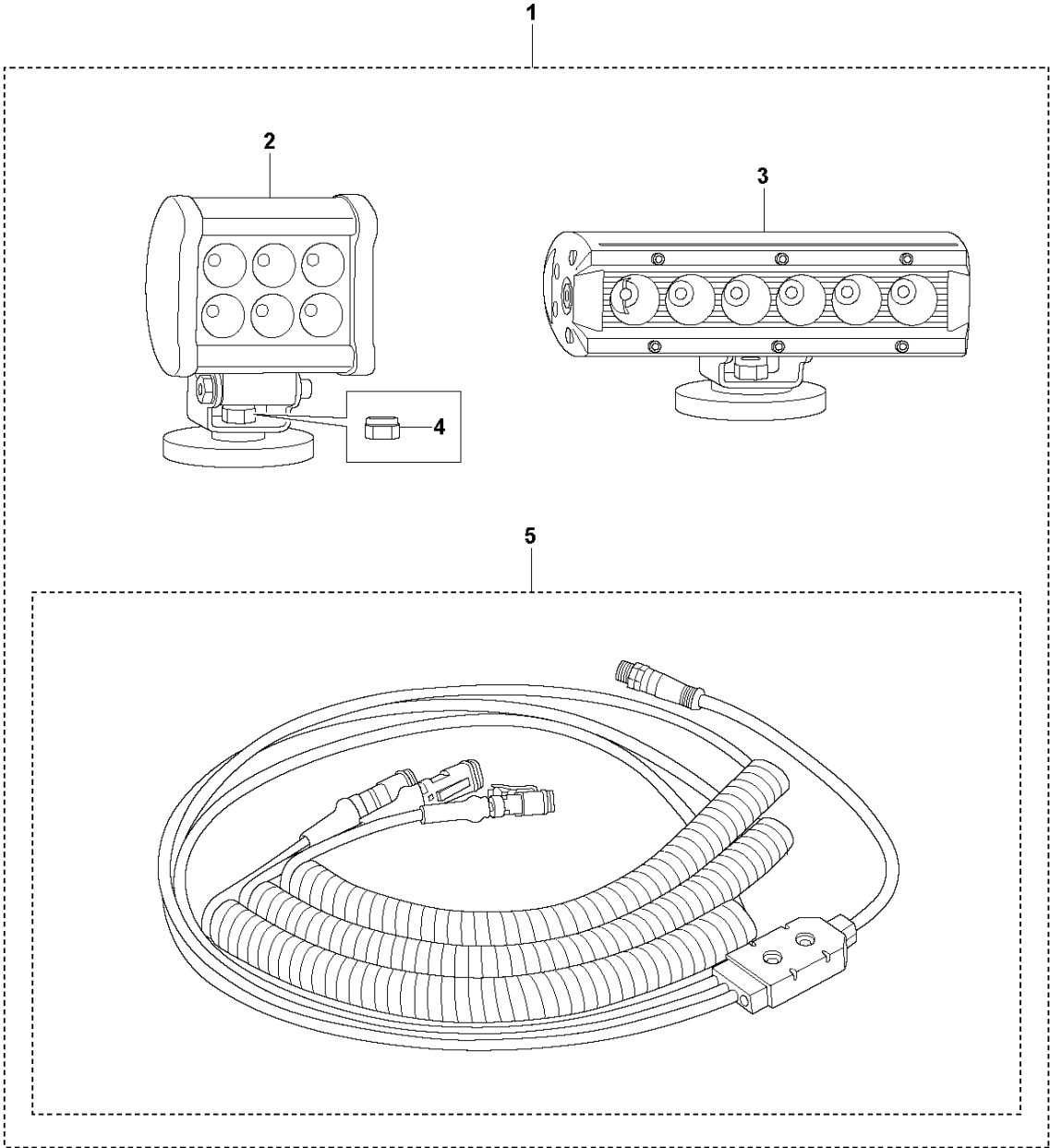


MISC SPARE PARTS

HTC XP6, 967839311, 967839312

Ref	Part No	Description	Remark	QTY KIT
1	599 69 00-01	HOSE KIT	Hose incl. Camlock	1
2	593 54 38-01	STRAP	Hose/Cable	1
3	593 53 67-01	STRAP	Hose guide assy	1

**Y** DURATIQ XP6  
LIGHT KIT



## LIGHT KIT

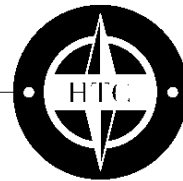
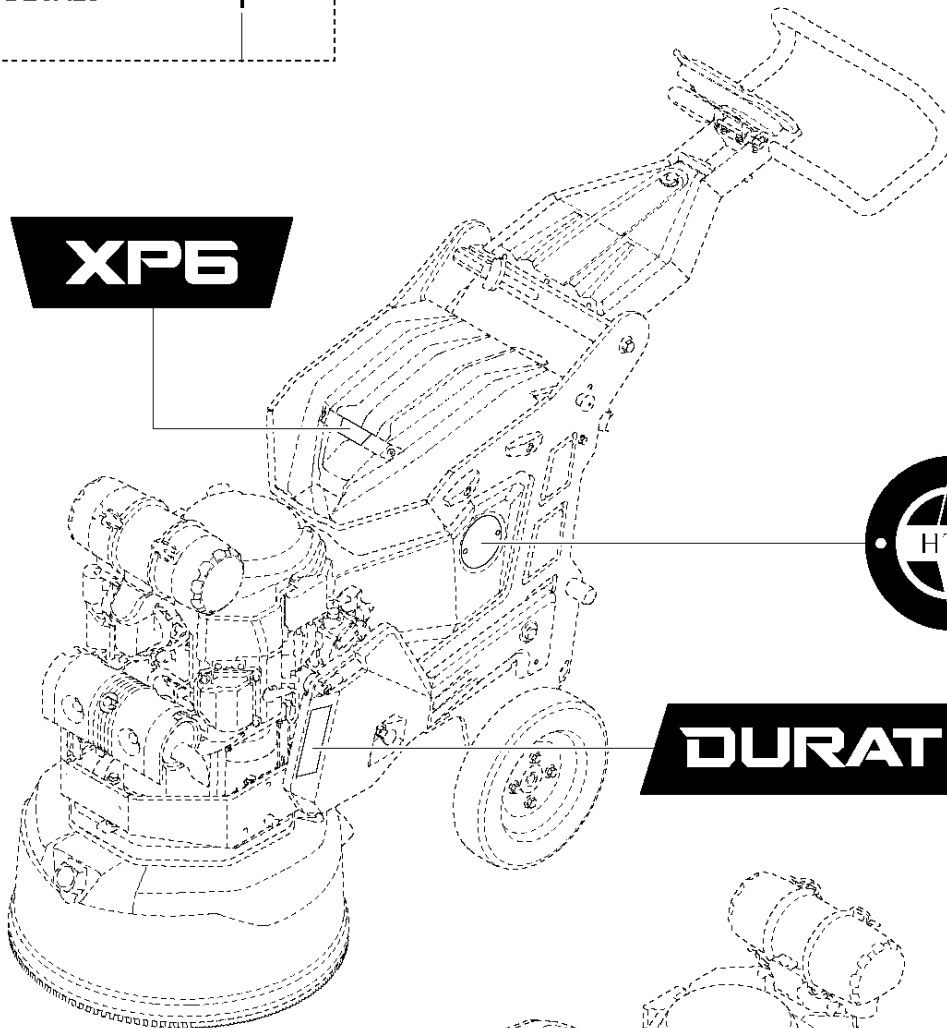
HTC XP6, 967839311, 967839312

Ref	Part No	Description	Remark	QTY KIT	
1	594 04 24-01	LIGHTING KIT		1	
2	593 54 06-01	LIGHT	Front light w.mount	1	1
3	593 54 05-01	LIGHT	Rear light w.mount	1	1
4	593 49 98-01	LOCK NUT		2	1
5	593 54 95-01	CABLE		1	1

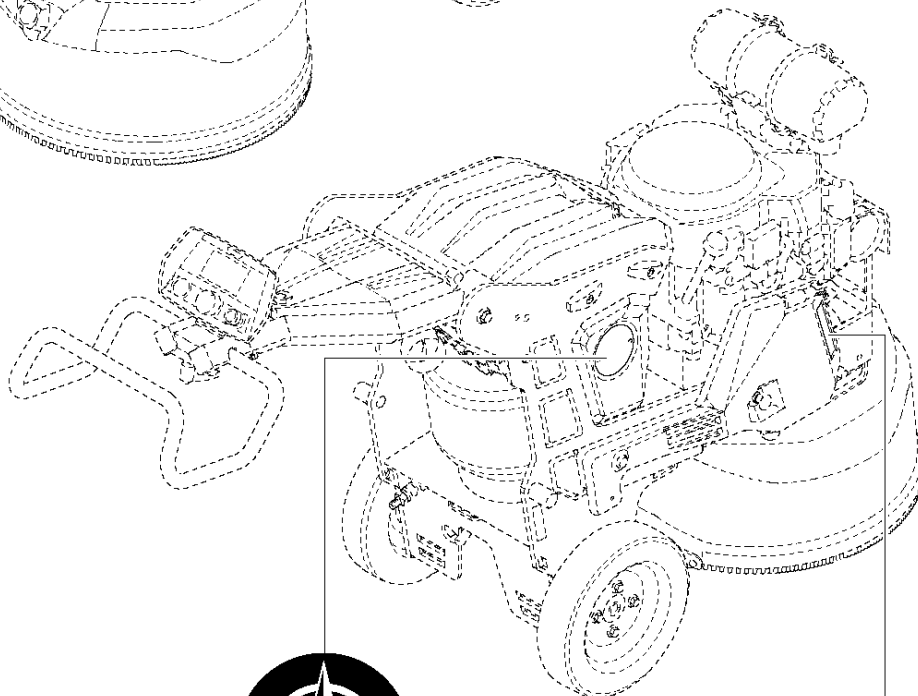
**Z** DURATIQ XP6  
DECALS

1

**XP6**



**DURATIQ**



**DURATIQ**



DECALS

HTC XP6, 967839311, 967839312

Ref	Part No	Description	Remark	QTY KIT
1	599 68 98-02	DECAL KIT	Decal kit XP6	1