

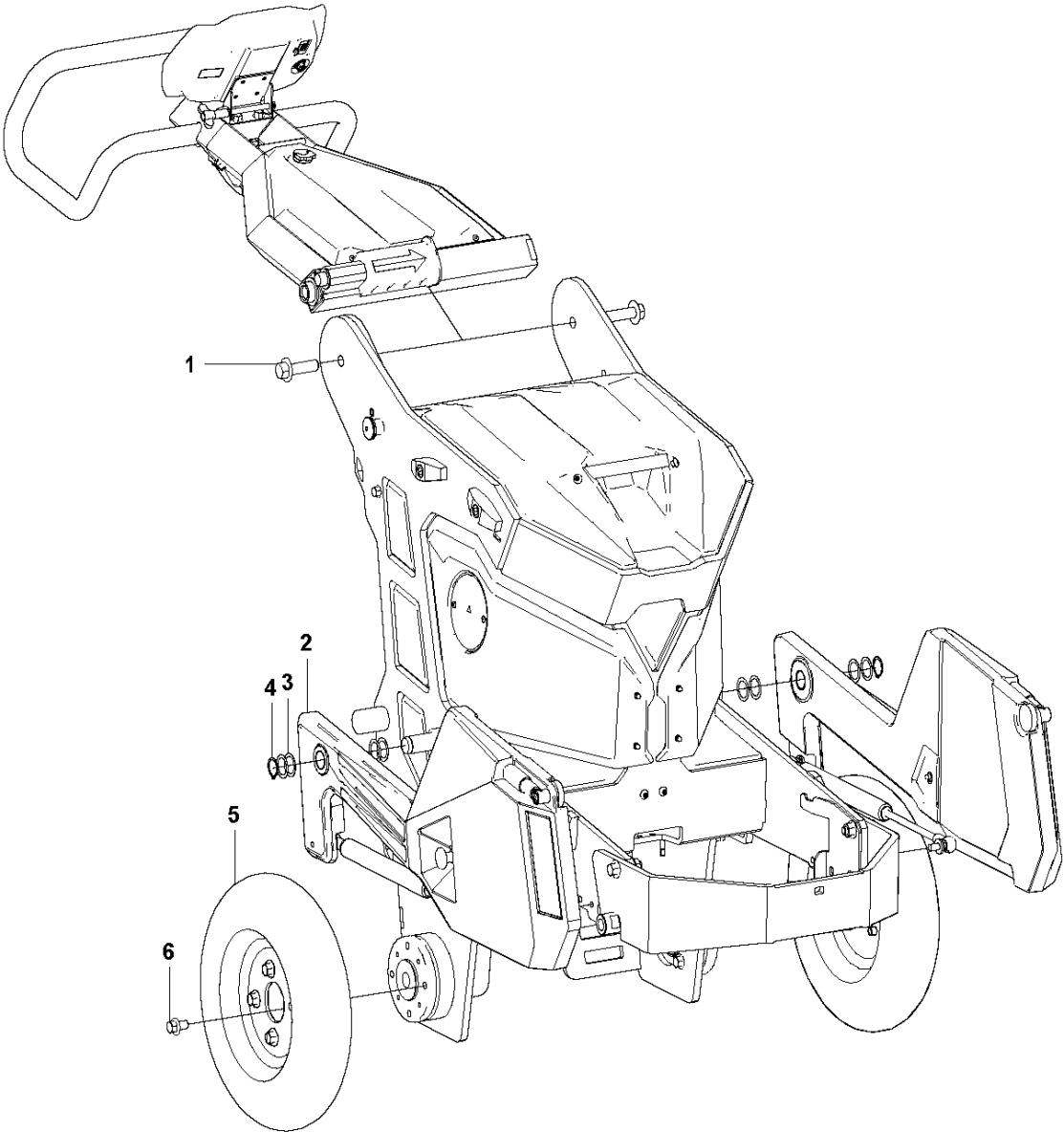


SPARE PARTS LIST

SURFACE PREPARATION EQUIPMENT

HTC T8/RT8, 967839507, 967839508,
2021-01

A DURATIQ T8
WEIGHT KIT & WHEEL

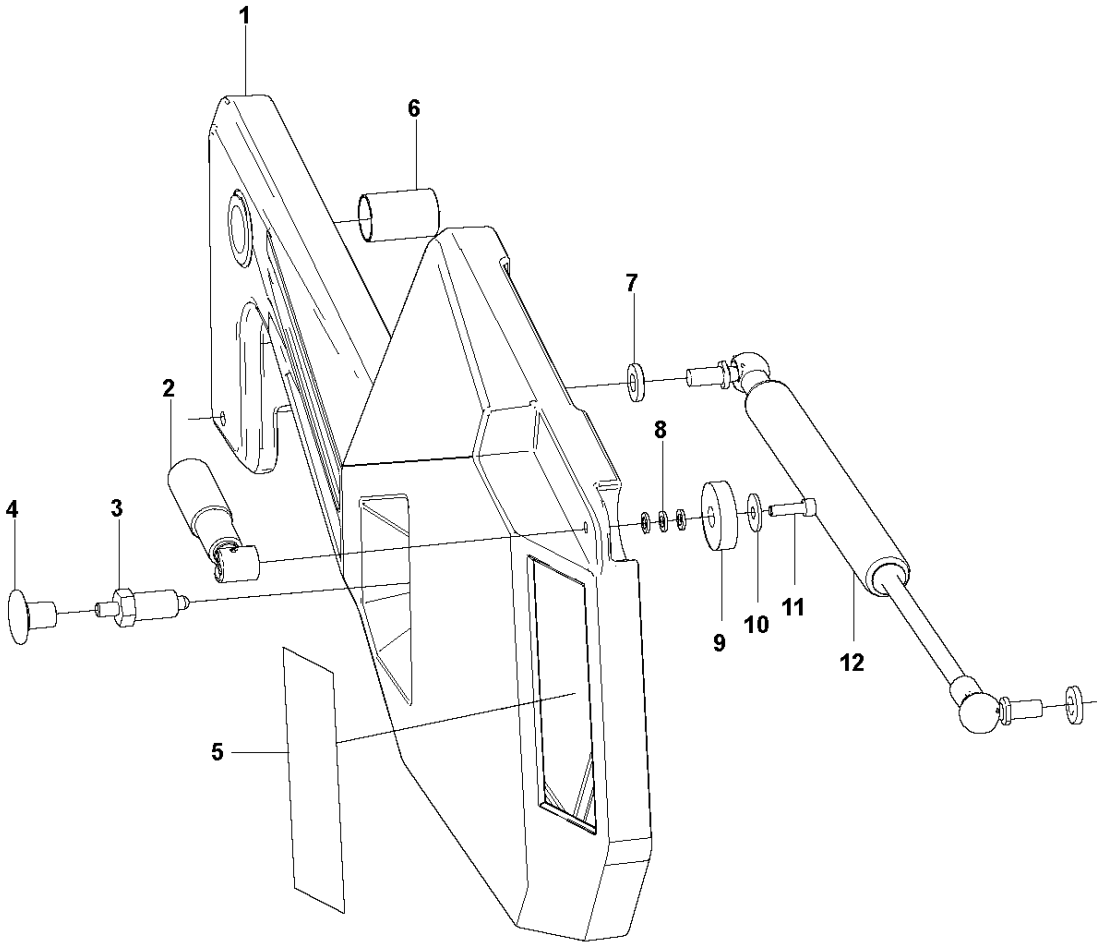


WEIGHT KIT & WHEEL

HTC T8/RT8, 967839507, 967839508, 2021-01

| Ref | Part No | Description | Remark | QTY KIT |
|-----|--------------|-------------|----------------------|---------|
| 1 | 595 68 12-01 | SCREW | SCREW M16X55 | 2 |
| 2 | 595 71 05-02 | WEIGHT KIT | WEIGHT KIT RIGHT - 8 | 1 |
| 2 | 595 71 04-02 | WEIGHT KIT | WEIGHT KIT LEFT - 8 | 1 |
| 3 | 595 68 08-01 | SHIM | SHIM RING 25X35X0.3 | 8 |
| 4 | 593 49 68-01 | CIRCLIP | CIRCLIP SGA 25X1.2 | 2 |
| 5 | 593 48 94-01 | WHEEL | WHEEL Ø370X95 | 2 |
| 6 | 595 68 13-01 | SCREW | SCREW M12X20 | 8 |

B DURATIQ T8
WEIGHT ASSY

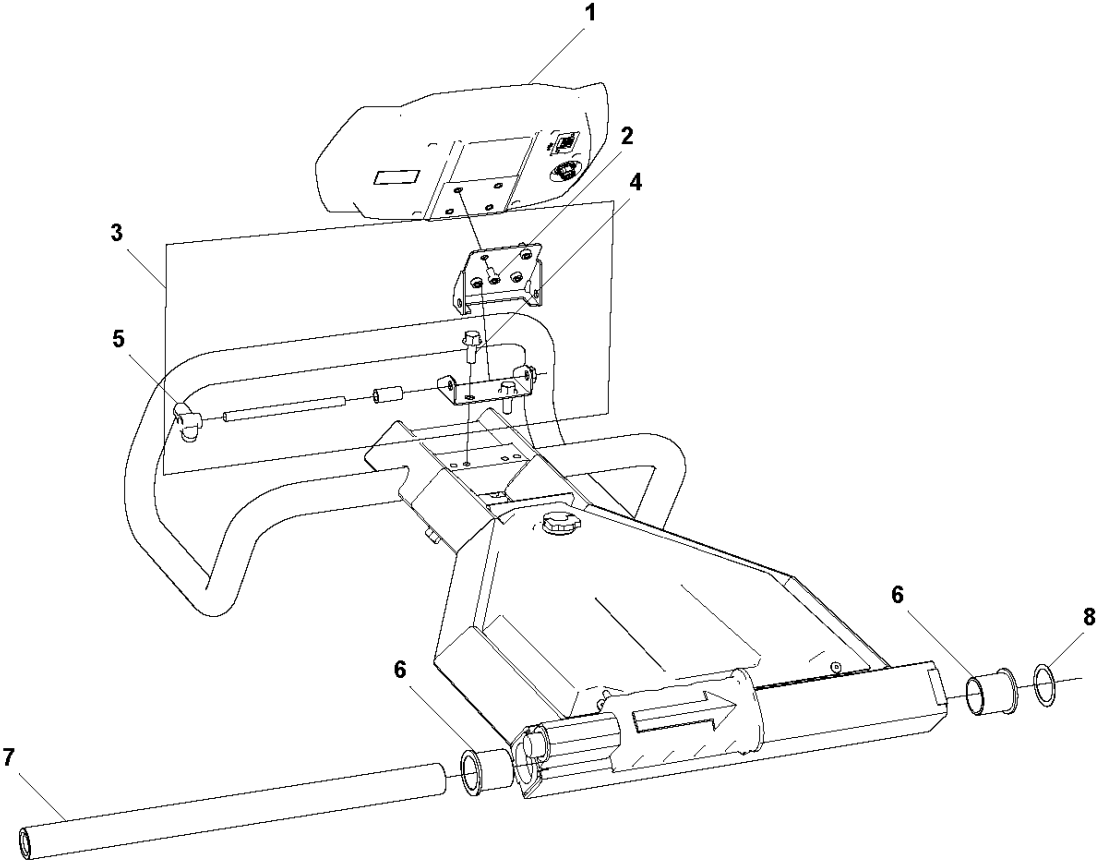


WEIGHT ASSY

HTC T8/RT8, 967839507, 967839508, 2021-01

| Ref | Part No | Description | Remark | QTY KIT |
|-----|--------------|-------------|----------------------|---------|
| 1 | 595 75 65-02 | WEIGHT | WEIGHT ARM RIGHT - 8 | 1 |
| 2 | 595 75 63-02 | WEIGHT | WEIGHT ARM LEFT - 8 | 1 |
| 2 | 593 48 68-01 | HANDLE | HANDLE AUTO. FOLDING | 1 |
| 3 | 593 48 66-01 | PISTON | INDEX PLUNGER M16X8 | 1 |
| 4 | 593 48 67-01 | KNOB | KNOB M8 | 1 |
| 5 | 595 66 05-01 | DECAL | WEIGHT DECAL RIGHT | 1 |
| 5 | 595 66 06-01 | DECAL | WEIGHT DECAL LEFT | 1 |
| 6 | 593 41 72-01 | BUSHING | BUSHING Ø25X40 | 1 |
| 7 | 593 49 57-01 | WASHER | WASHER M10 | 2 |
| 8 | 593 49 60-01 | WASHER | WASHER M6 | 3 |
| 9 | 593 54 39-01 | WHEEL | IMPACT PAD WHEEL | 1 |
| 10 | 593 50 93-01 | WASHER | WASHER M6 | 1 |
| 11 | 593 51 34-01 | SCREW | SCREW M6X20 | 1 |
| 12 | 593 48 17-01 | SPRING | GAS TRACTION SPRING | 1 |

C DURATIQ T8
CONTROL PANEL



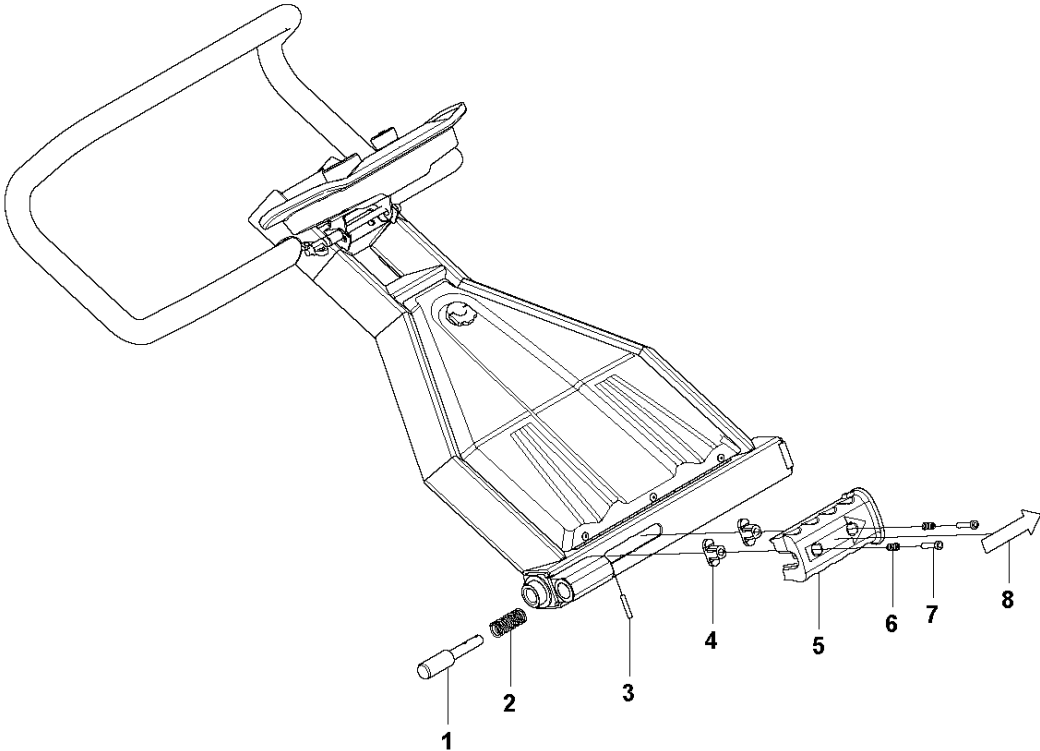
CONTROL PANEL

HTC T8/RT8, 967839507, 967839508, 2021-01

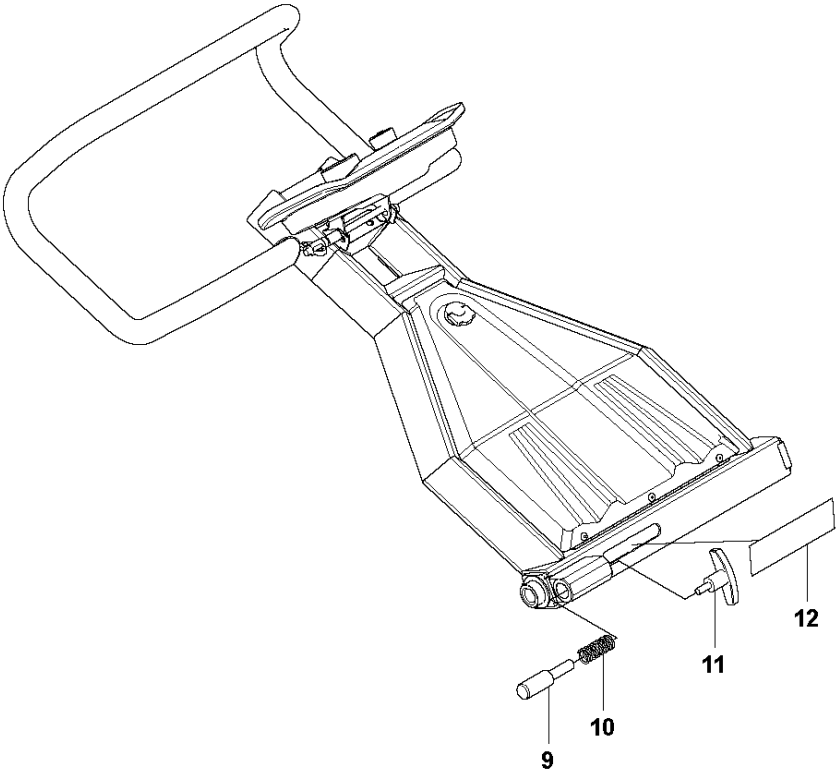
| Ref | Part No | Description | Remark | QTY KIT |
|-----|--------------|---------------|--|---------|
| 4 | 593 51 35-01 | SCREW | SCREW M8X20 | 2 |
| 1 | 593 54 92-01 | CONTROL PANEL | CONTROL PANEL | 1 |
| 1 | 595 77 18-01 | CABLE | CABLE CONTROL PANEL | 1 |
| 2 | 595 67 30-01 | SCREW | SCREW M6X10 | 4 |
| 3 | 597 25 50-01 | CONTROL PANEL | CONTROL PANEL BRACKET KIT - Pos 2 & 4 are not included | 1 |
| 5 | 593 48 63-01 | KNOB | WING KNOB M8 | 1 |
| 6 | 593 48 62-01 | BEARING | FLANGED BEARING 30X42X35 | 2 |
| 7 | 595 70 93-01 | HANDLE | HANDLE SHAFT | 1 |
| 8 | 595 66 20-01 | SPRING | WAVE SPRING WASHER Ø30.5 | 1 |
| 8 | 595 66 20-01 | SPRING | WAVE SPRING WASHER Ø30.5 | 1 |

D DURATIQ T8
PULL HANDLE ASSY

V.1



V.2

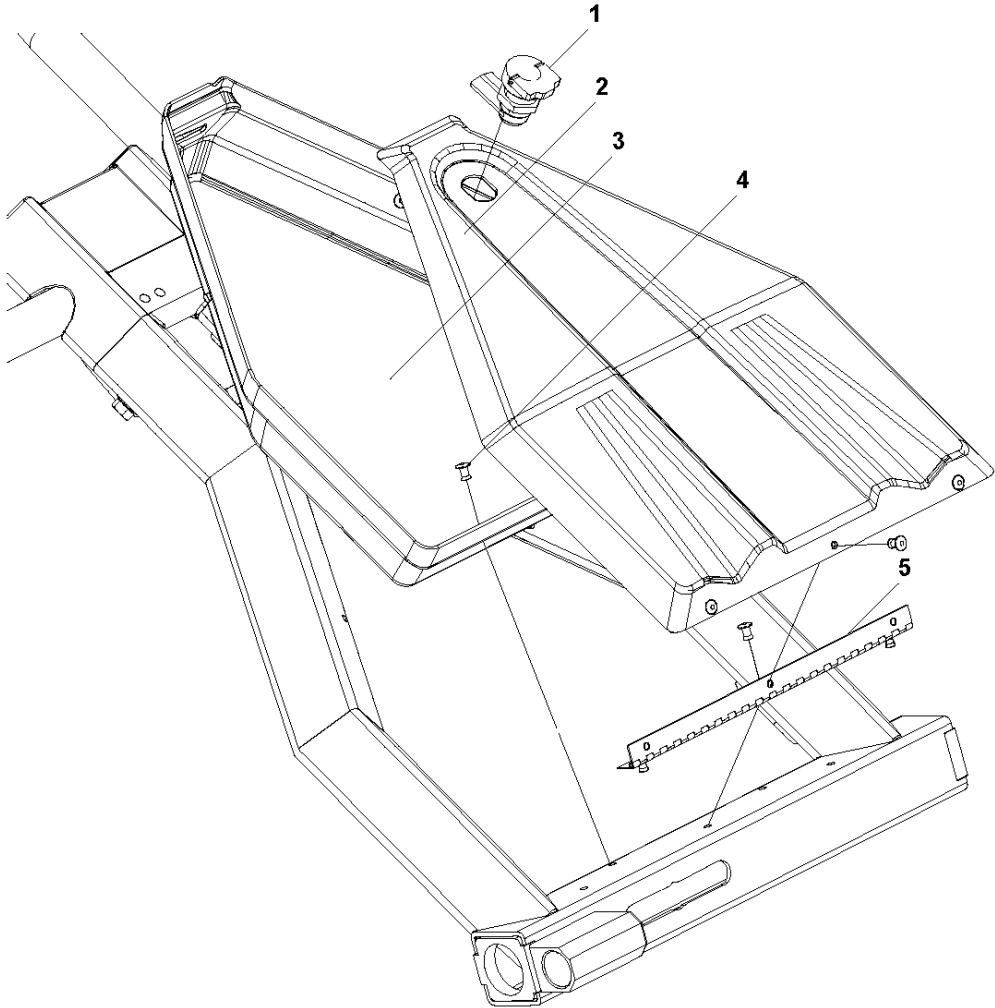


PULL HANDLE ASSY

HTC T8/RT8, 967839507, 967839508, 2021-01

| Ref | Part No | Description | Remark | QTY KIT |
|-----|--------------|-------------|-------------------|---------|
| 1 | 593 58 36-01 | PIN | HANDLE PIN | 1 |
| 2 | 593 48 57-01 | SPRING | | 1 |
| 3 | 593 49 35-01 | SPRING PIN | SPRING PIN 5X30 | 1 |
| 4 | 593 54 27-01 | GUIDE | PULL HANDLE GUIDE | 2 |
| 5 | 593 54 26-01 | HANDLE | PULL HANDLE | 1 |
| 6 | 593 48 56-01 | SPRING | SPRING 1.2X6X15 | 2 |
| 7 | 593 51 43-01 | SCREW | SCREW M6X30 | 2 |
| 8 | 593 54 49-01 | DECAL | DECAL PULL HANDLE | 1 |
| 9 | 598 87 56-01 | PIN | | 1 |
| 10 | 593 48 57-01 | SPRING | | 1 |
| 11 | 598 87 57-01 | HANDLE | | 1 |
| 12 | 595 66 05-01 | DECAL | | 1 |

E DURATIQ T8
PLASTICS

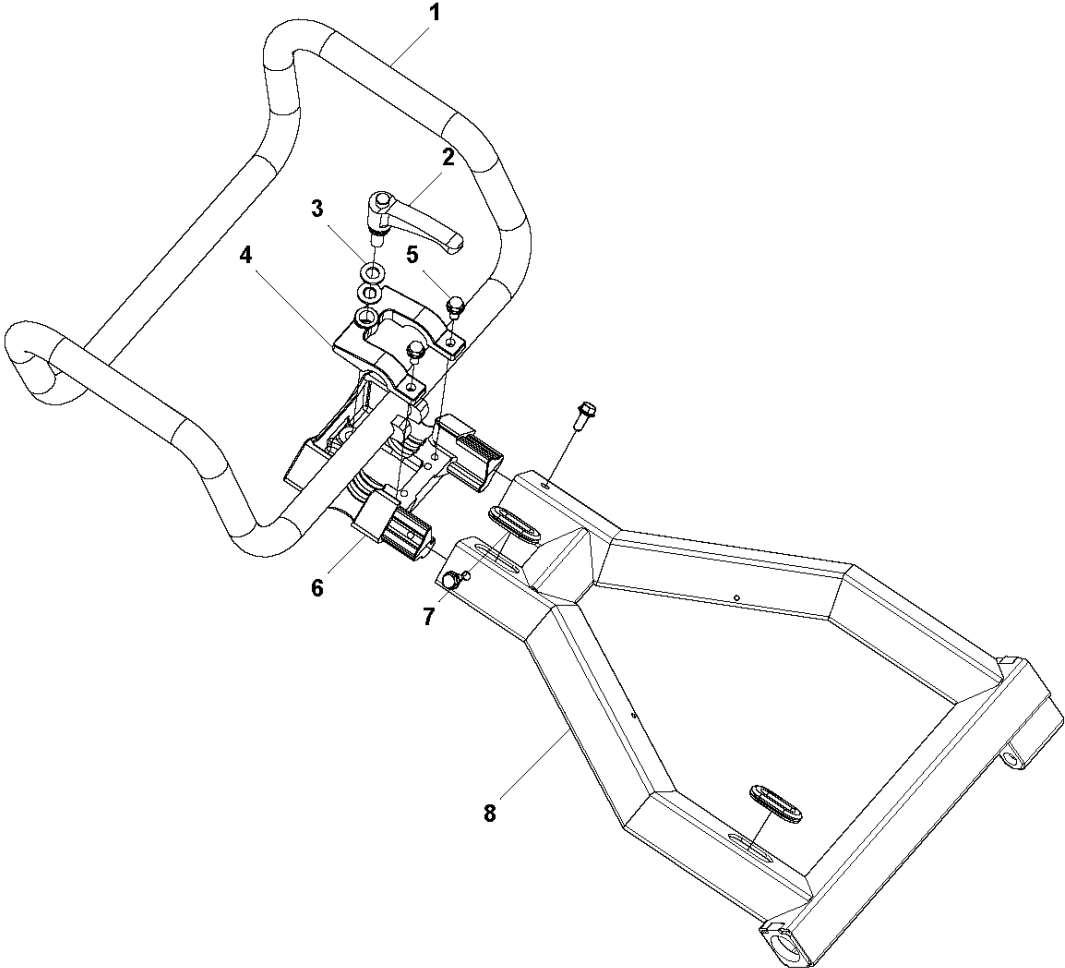


PLASTICS

HTC T8/RT8, 967839507, 967839508, 2021-01

| Ref | Part No | Description | Remark | QTY KIT |
|-----|--------------|-------------|-------------------|---------|
| 1 | 595 66 04-01 | GLOVE | GLOVE COVER LOCK | 1 |
| 2 | 529 51 93-01 | COVER | GLOVE COVER UPPER | 1 |
| 3 | 529 51 95-01 | COVER | GLOVE COVER LOWER | 1 |
| 4 | 593 51 46-01 | RIVET | POP RIVET 4.8 | 10 |
| 5 | 595 71 27-01 | GLOVE | GLOVE COVER HINGE | 1 |

F DURATIQ T8
HANDLE BAR ASSY

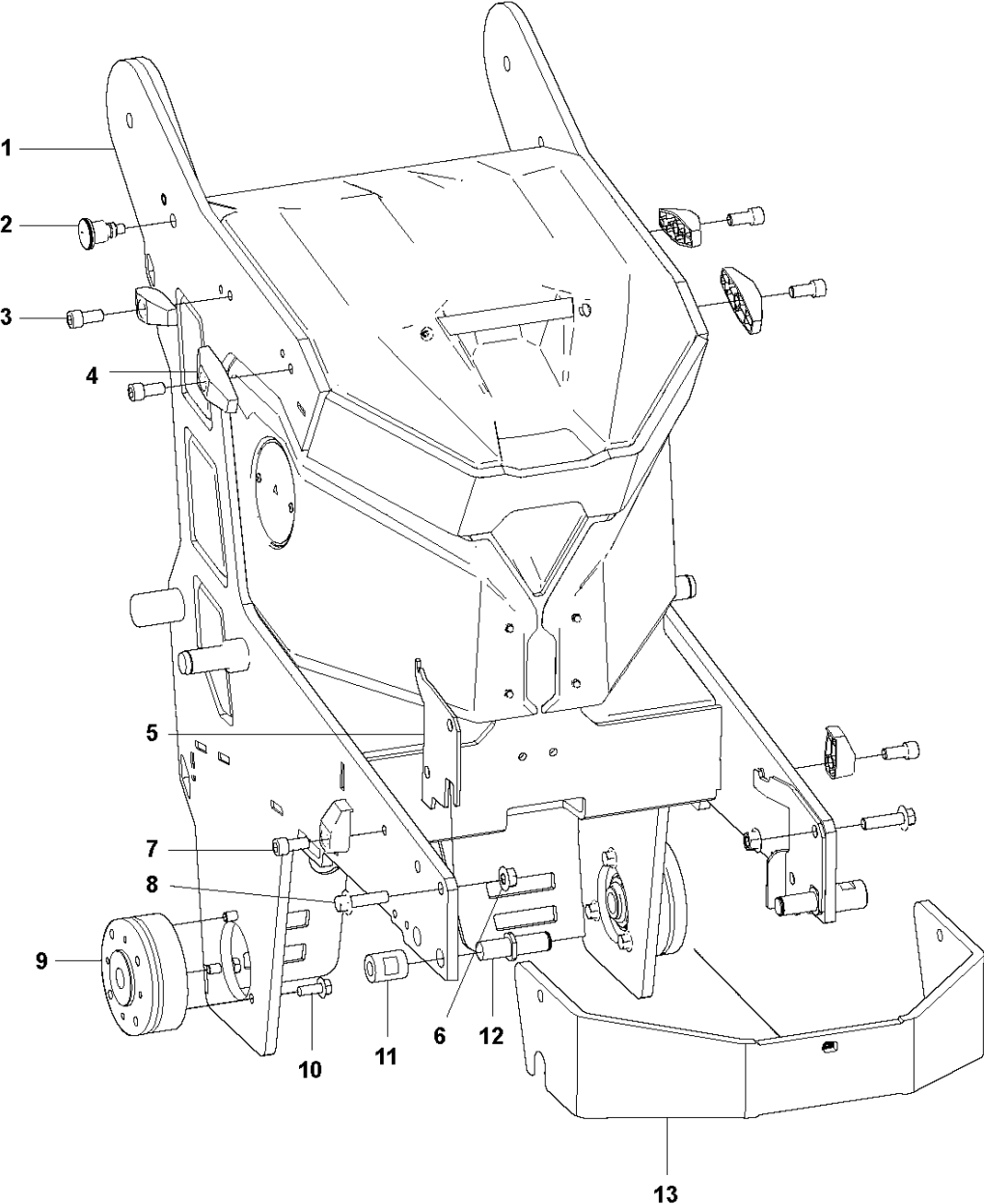


HANDLE BAR ASSY

HTC T8/RT8, 967839507, 967839508, 2021-01

| Ref | Part No | Description | Remark | QTY KIT |
|-----|--------------|----------------|-----------------------------|---------|
| 1 | 593 53 76-01 | HANDLEBAR | HANDLEBAR | 1 |
| 2 | 593 48 64-01 | HANDLE | ADJUSTABLE HANDLE M12X30 | 1 |
| 3 | 593 48 58-01 | WASHER | WASHER 13X24X2.5 | 1 |
| 4 | 595 75 57-01 | HANDLEBAR | HANDLEBAR CLAMP | 1 |
| 5 | 593 51 35-01 | SCREW | SCREW M8X20 | 4 |
| 6 | 595 53 12-01 | HANDLE BRACKET | HANDLEBAR BRACKET | 1 |
| 7 | 595 65 90-01 | GROMMET | RUBBER GROMMET 31X48X14 | 2 |
| 8 | 595 75 59-01 | HANDLE | HANDLE WELDMENT | 1 |

G DURATIQ T8
CHASSIS FRAME

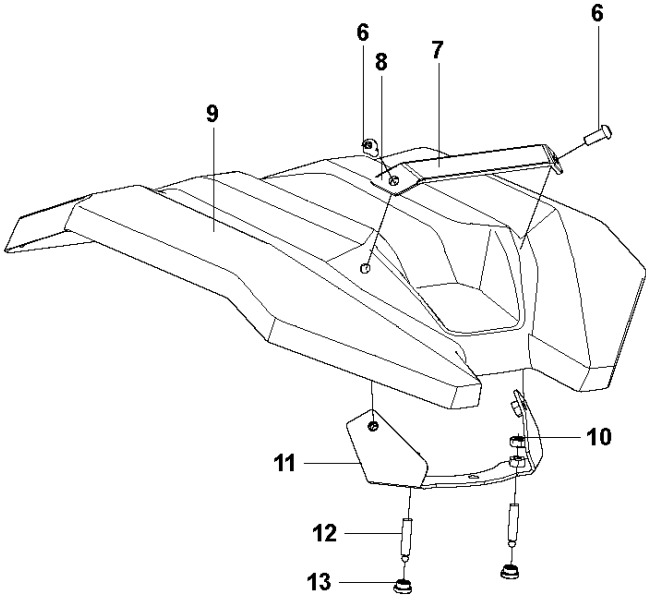
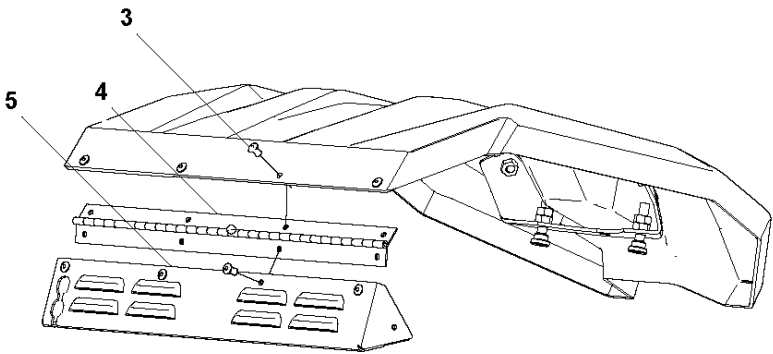
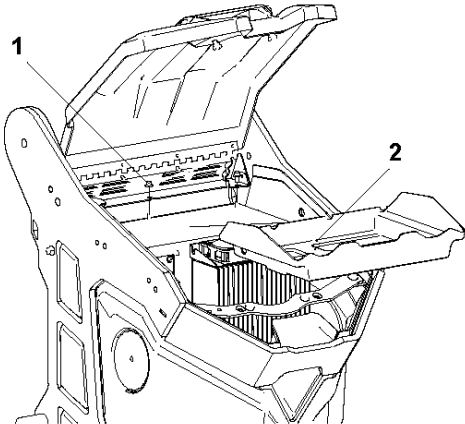


CHASSIS / FRAME

HTC T8/RT8, 967839507, 967839508, 2021-01

| Ref | Part No | Description | Remark | QTY KIT |
|-----|--------------|---------------|----------------------------------|---------|
| 1 | 595 75 79-01 | CHASSIS | CHASSIS FRAME | 1 |
| 2 | 593 48 65-01 | PISTON | INDEX PLUNGER M16XØ10 | 1 |
| 3 | 593 50 36-01 | SCREW | SCREW M12X20 | 6 |
| 4 | 593 53 85-01 | COUNTERWEIGHT | WEIGHT FIXING BLOCK | 4 |
| 5 | 593 53 88-01 | ANGLE LIMITER | ANGLE LIMIT RIGHT | 1 |
| 5 | 593 53 87-01 | ANGLE LIMITER | ANGLE LIMIT LEFT | 1 |
| 6 | 593 51 39-01 | LOCK NUT | NUT M12 | 2 |
| 7 | 593 53 86-01 | COUNTERWEIGHT | WEIGHT FIXING BLOCK FRONT | 2 |
| 8 | 593 63 04-01 | SCREW | SCREW M12X45 | 2 |
| 9 | 595 71 10-01 | HUB | HUB ASSEMBLY | 2 |
| 10 | 593 51 38-01 | SCREW | SCREW M10X25 | 6 |
| 11 | 593 53 84-01 | NUT | NUT GRINDING HEAD SUSPENSION | 2 |
| 12 | 593 53 83-01 | AXLE | AXLE GRINDING HEAD SUSPENSION | 2 |
| 13 | 593 53 82-01 | CHASSIS | CHASSIS FRONT BOW | 1 |

H DURATIQ T8
PLASTICS

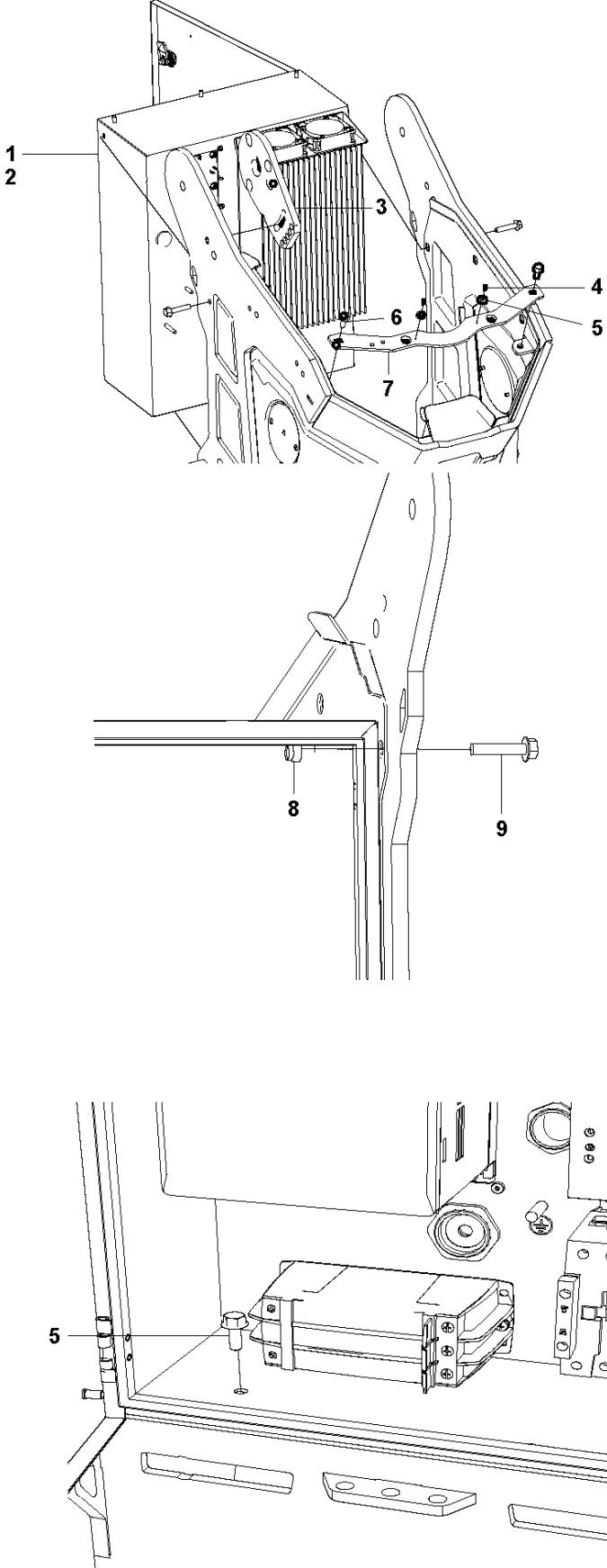


PLASTICS

HTC T8/RT8, 967839507, 967839508, 2021-01

| Ref | Part No | Description | Remark | QTY KIT |
|-----|--------------|-------------|-----------------------------|---------|
| 1 | 595 68 03-01 | NUT | NUT M6 | 3 |
| 2 | 595 75 95-01 | BOX | STORAGE BOX | 1 |
| 3 | 593 51 46-01 | RIVET | POP RIVET 4.8 | 8 |
| 4 | 595 71 26-01 | COVER | TOP COVER HINGE | 1 |
| 5 | 595 75 89-01 | COVER | TOP COVER BRACKET | 1 |
| 6 | 595 68 07-01 | SCREW | SCREW M8X20 | 2 |
| 7 | 529 50 79-09 | DECAL | DECAL T8 | 1 |
| 7 | 529 50 79-06 | DECAL | DECAL RT8 | 1 |
| 8 | 595 75 92-01 | COVER | TOP COVER HANDLE | 1 |
| 9 | 595 75 88-02 | COVER | TOP COVER | 1 |
| 10 | 593 50 47-01 | NUT | NUT M8 | 2 |
| 11 | 595 71 18-01 | COVER | TOP COVER MAGNET BRACKET | 1 |
| 12 | 595 66 01-01 | SCREW | GRUB SCREW | 2 |
| 13 | 595 66 02-01 | PAD | THRUST PAD | 2 |

**DURATIQ T8
POWER UNIT ASSY**

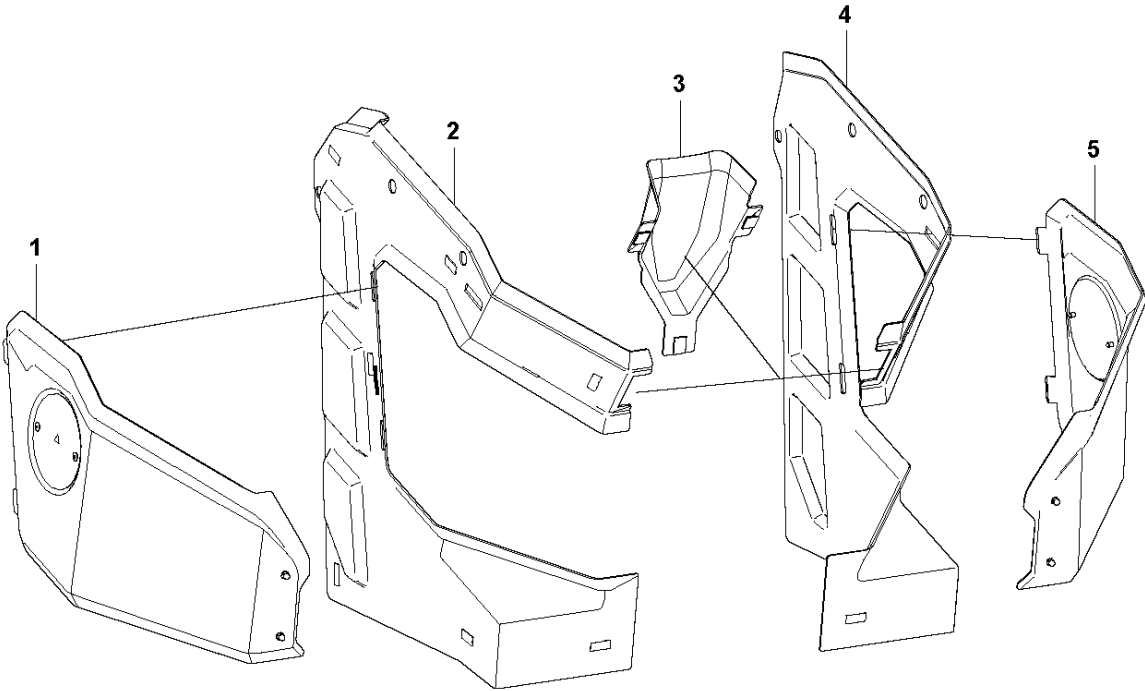


POWER UNIT

HTC T8/RT8, 967839507, 967839508, 2021-01

| Ref | Part No | Description | Remark | QTY KIT |
|-----|--------------|-------------|----------------------------|---------|
| 1 | 595771401 | TBD | POWER UNIT 3X400V 15KW | 1 |
| 2 | 595 09 93-01 | POWER UNIT | POWER UNIT 3X200V 12KW | 1 |
| 3 | 595 75 61-01 | HANDLE | HANDLE ADJUSTMENT PLATE | 1 |
| 4 | 595 68 05-01 | SCREW | SCREW M3X8 | 2 |
| 5 | 593 49 17-01 | MAGNET | MAGNET Ø16X4.5 | 2 |
| 6 | 593 51 35-01 | SCREW | SCREW M8X20 | 4 |
| 7 | 595 75 90-01 | COVER | LOCKING PLATE | 1 |
| 8 | 593 49 98-01 | LOCK NUT | NUT M8 | 2 |
| 9 | 593 51 37-01 | SCREW | SCREW M8X40 | 2 |

J DURATIQ T8
PLASTICS

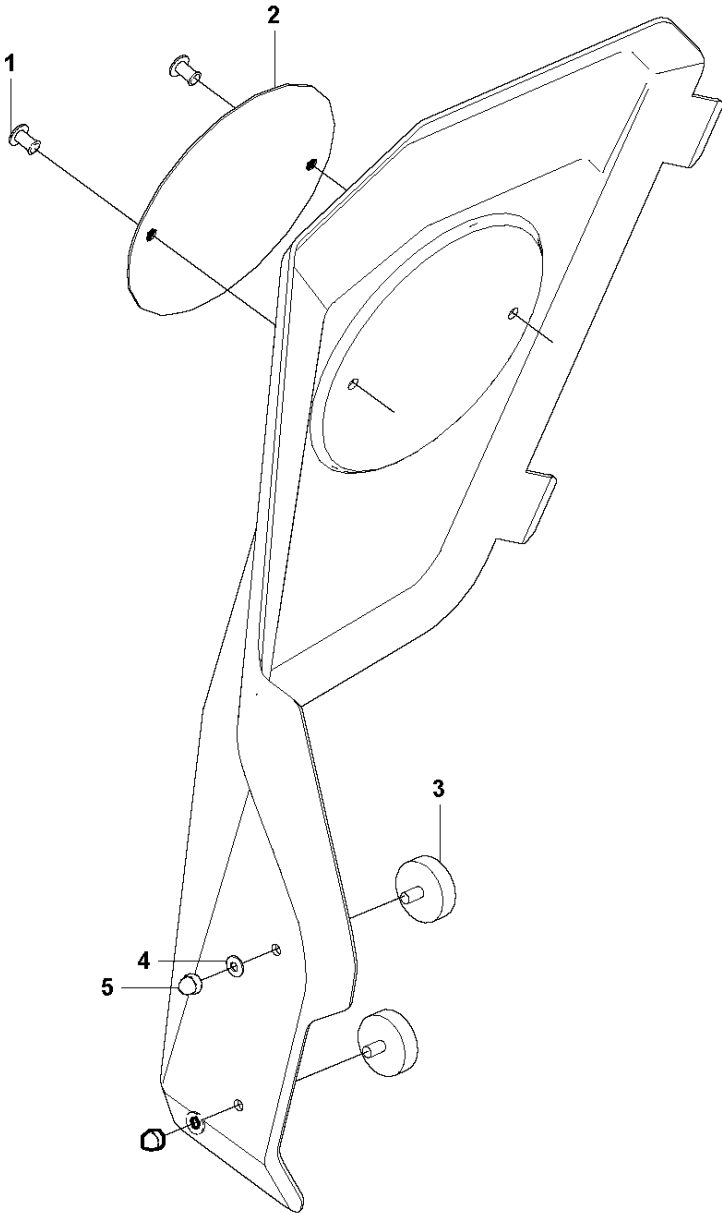


PLASTICS

HTC T8/RT8, 967839507, 967839508, 2021-01

| Ref | Part No | Description | Remark | QTY KIT |
|-----|--------------|-------------|-----------------------------|---------|
| 1 | 595 53 16-02 | COVER | SIDE COVER RIGHT | 1 |
| 2 | 595 71 34-02 | COVER | MACHINE COVER SIDE RIGHT | 1 |
| 3 | 595 71 35-02 | COVER | MACHINE COVER CENTER | 1 |
| 4 | 595 71 33-02 | COVER | | 1 |
| 5 | 595 71 36-02 | COVER | | 1 |

K DURATIQ T8
DECALS

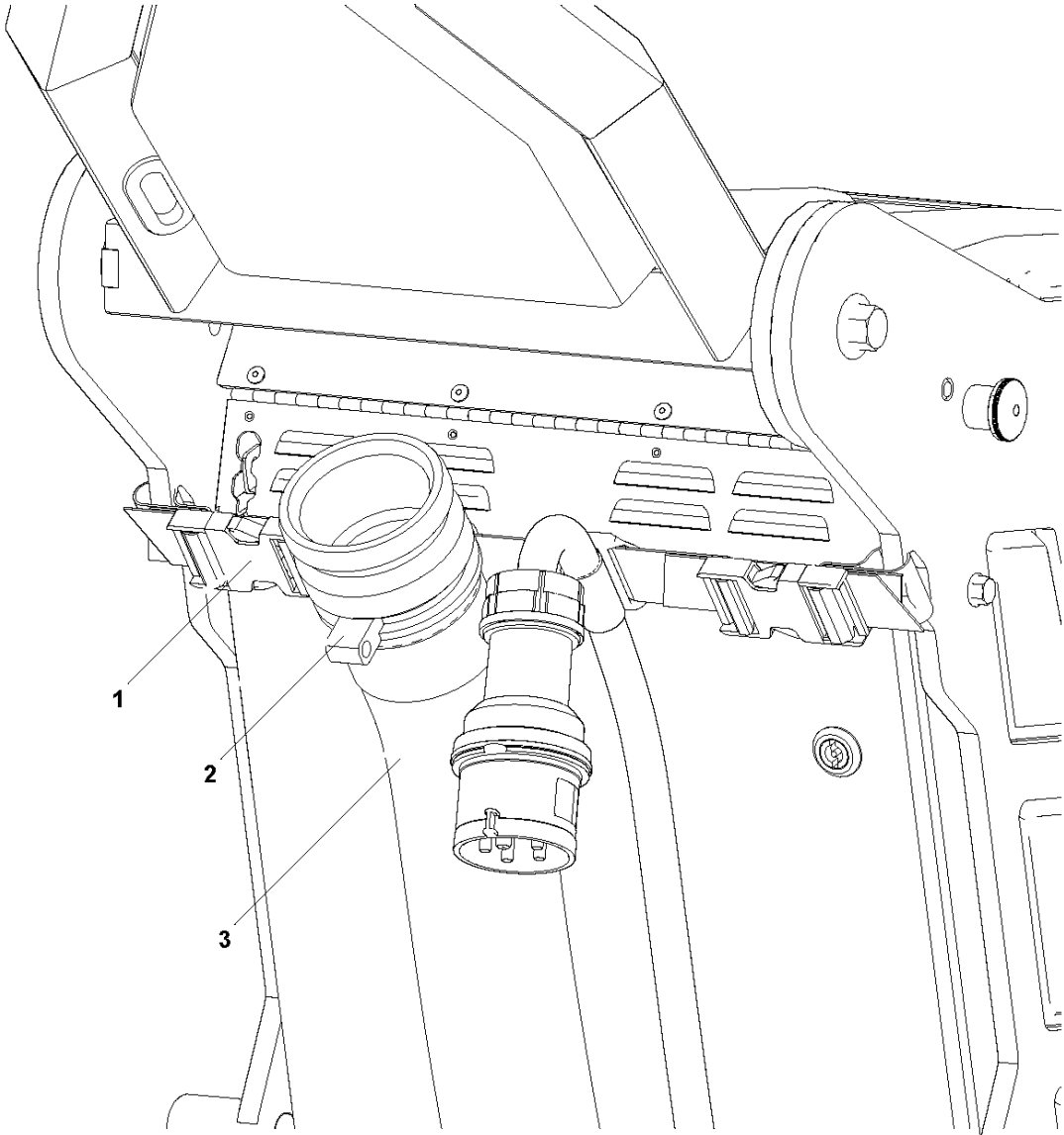


DECALS

HTC T8/RT8, 967839507, 967839508, 2021-01

| Ref | Part No | Description | Remark | QTY KIT |
|-----|--------------|-------------|---------------------|---------|
| 1 | 593 51 46-01 | RIVET | POP NUT 4.8 | 2 |
| 2 | 529 50 77-01 | DECAL | DECAL HTC LOGO Ø110 | 1 |
| 3 | 593 49 21-01 | MAGNET | MAGNET Ø25X7 M4 | 2 |
| 4 | 595 67 27-01 | WASHER | WASHER M4 | 2 |
| 5 | 595 68 14-01 | NUT | 5 NUT M4 | 2 |

L DURATIQ T8
CAMLOCK

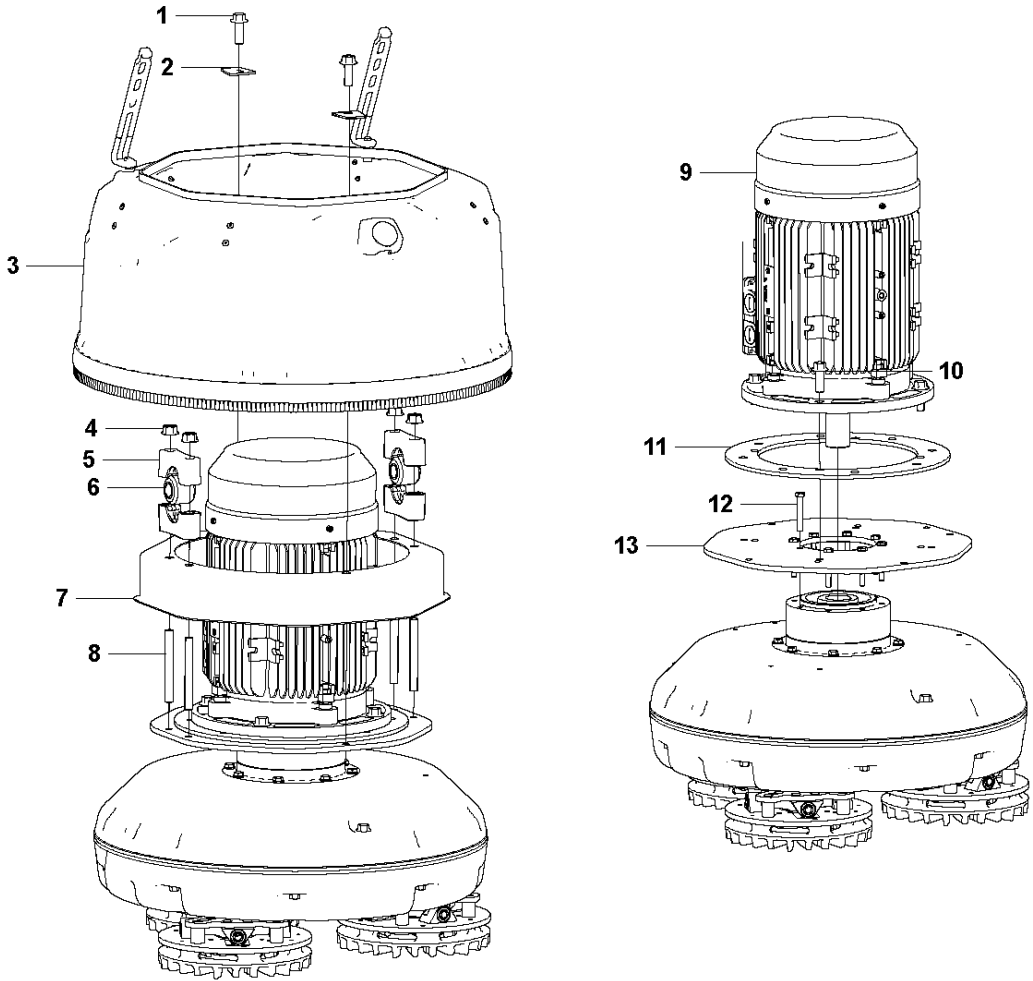


CAMLOCK

HTC T8/RT8, 967839507, 967839508, 2021-01

| Ref | Part No | Description | Remark | QTY KIT |
|-----|--------------|---------------|---------------------------------------|---------|
| 1 | 593 53 67-01 | STRAP | HOSE GUIDE ASSEMBLY | 1 |
| 2 | 593 45 76-01 | HOSE COUPLING | CAMLOCK MALE 3" HOSE SHANK | 1 |
| 3 | 593 47 87-01 | HOSE | HOSE 3" PU ANTI-STATIC BLACK. 1.3m | 1 |

M DURATIQ T8
MOTOR & COVER

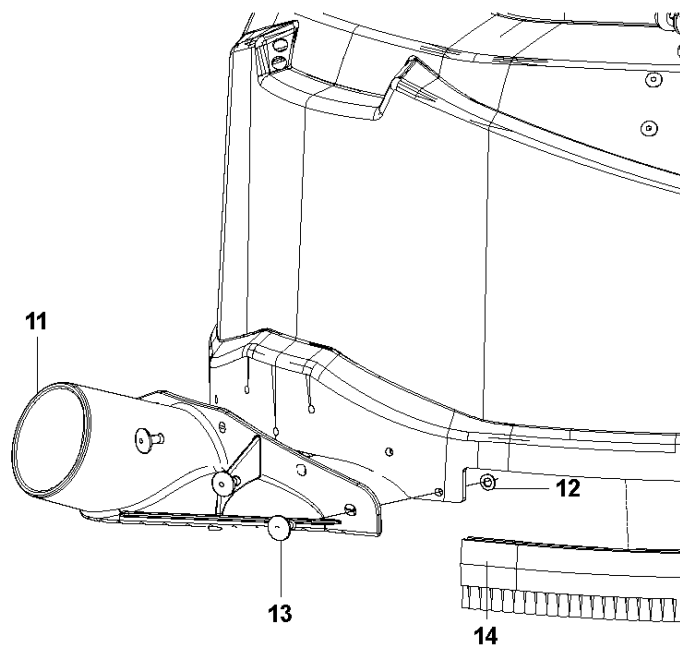
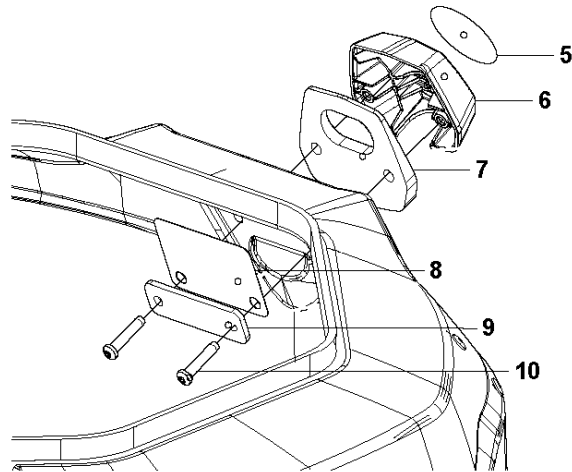
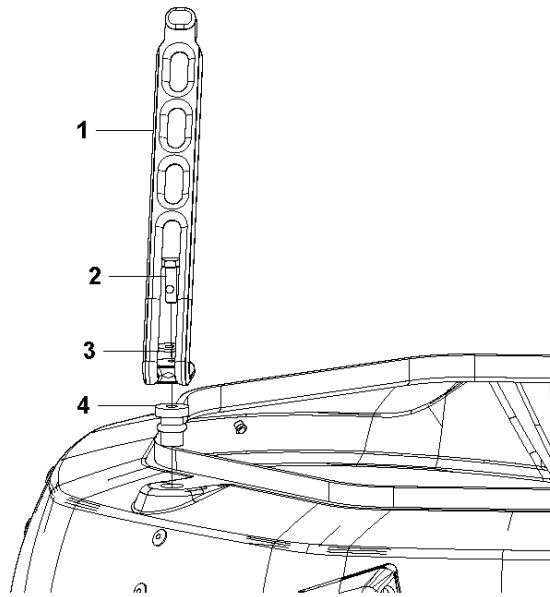


MOTOR & COVER

HTC T8/RT8, 967839507, 967839508, 2021-01

| Ref | Part No | Description | Remark | QTY KIT |
|-----|--------------|-------------|-------------------------------------|---------|
| 1 | 595 68 01-01 | SCREW | SCREW M12X35 | 2 |
| 2 | 593 53 89-01 | COVER | COVER LOCKING PLATE | 2 |
| 3 | 593 48 11-02 | COVER | GRINDING COVER T8/X8 WATER CMPL. | 1 |
| 4 | 593 51 39-01 | LOCK NUT | NUT M6MF M12 | 4 |
| 5 | 593 54 20-01 | CLAMP | SUSPENSION CLAMP | 4 |
| 6 | 593 53 90-01 | SUSPENSION | SUSPENSION RUBBER | 2 |
| 7 | 595 75 80-01 | COVER | GRINDING COVER GUIDE | 1 |
| 8 | 593 51 45-01 | BOLT | PS M12X100 | 4 |
| 9 | 595 53 09-01 | MOTOR | MOTOR 11kW | 1 |
| 9 | 593 56 04-01 | MOTOR | MOTOR 15kW | 1 |
| 10 | 595 68 01-01 | SCREW | SCREW M12X35 | 4 |
| 11 | 597 25 51-01 | SEAL | MOTOR SPACER SEAL | 1 |
| 12 | 595 67 99-01 | SCREW | SCREW M8X55 | 8 |
| 13 | 595 75 81-01 | MOTOR | MOTOR PLATE | 1 |

N DURATIQ T8
EXHAUST & MISC

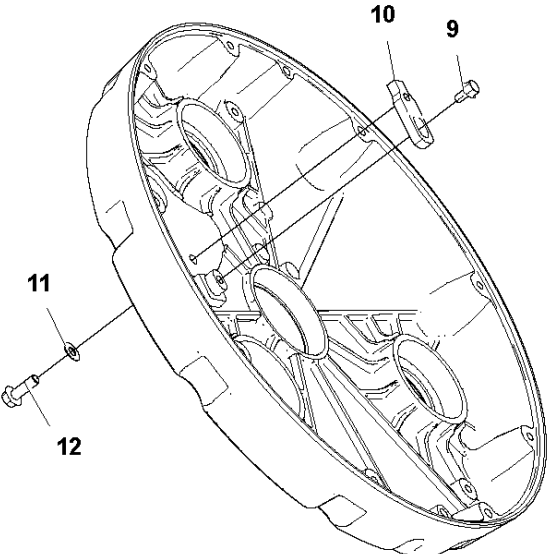
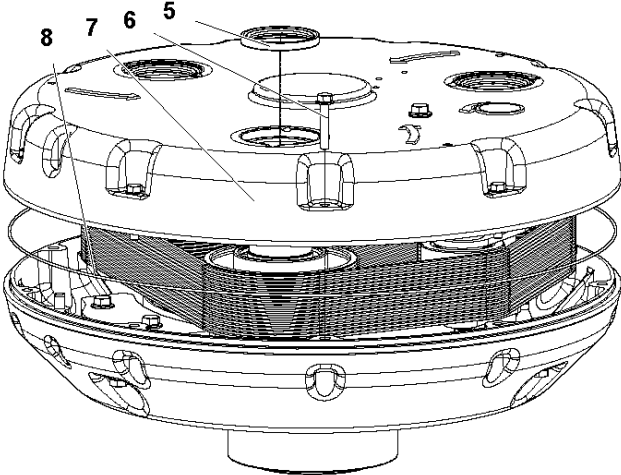
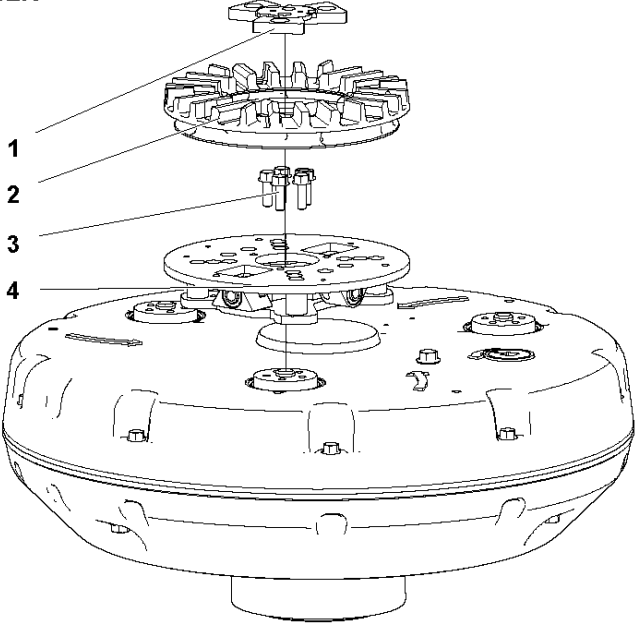


EXHAUST & MISC

HTC T8/RT8, 967839507, 967839508, 2021-01

| Ref | Part No | Description | Remark | QTY KIT |
|-----|--------------|---------------|------------------------------|---------|
| 1 | 593 48 69-01 | STRAP | RUBBER STRAP | 2 |
| 2 | 593 51 34-01 | SCREW | SCREW M6X20 | 2 |
| 3 | 593 50 93-01 | WASHER | WASHER M6 | 2 |
| 4 | 593 71 87-01 | KIT | EXPANDER M6 RUBBER | 2 |
| 5 | 593 49 31-02 | DECAL | DECAL HTC LOGO Ø40 | 1 |
| 6 | 593 54 22-01 | BRACKET | MIST BRACKET | 1 |
| 7 | 593 54 34-01 | WEDGE | MIST ANGEL WEDGE | 1 |
| 8 | 593 54 25-01 | DECAL | DECAL MIST HOLE COVER | 1 |
| 9 | 593 53 64-01 | SUPPORT PLATE | MIST BRACKET PLATE | 1 |
| 10 | 593 51 49-01 | SCREW | SCREW ST 5.0 | 2 |
| 11 | 593 53 94-01 | NOZZLE | VAC NOZZLE | 1 |
| 12 | 593 50 43-01 | WASHER | WASHER M5 | 7 |
| 13 | 593 51 47-01 | RIVET | POP RIVET BLIND 4.8X15 | 7 |
| 14 | 593 44 61-04 | STRIP | BRUSH LIST 15 mm * 2.7 m | 1 |
| 14 | 593 44 61-07 | STRIP | BRUSH LIST 15 mm * 25 m roll | 1 |

O DURATIQ T8
GRINDING HEAD LOWER

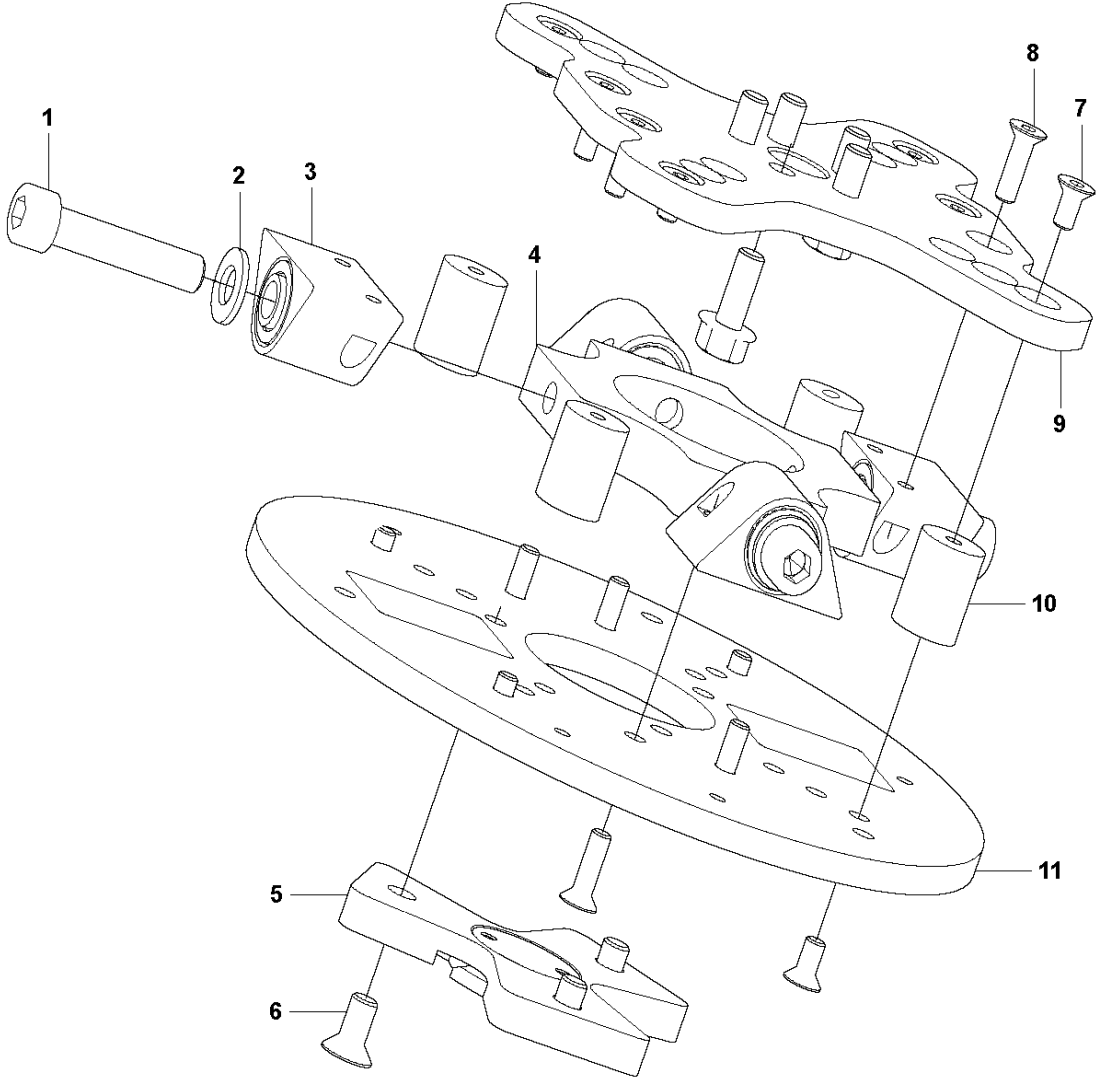


GRINDING HEAD LOWER

HTC T8/RT8, 967839507, 967839508, 2021-01

| Ref | Part No | Description | Remark | QTY KIT |
|-----|--------------|--------------|----------------------------------|---------|
| 1 | 593 61 59-01 | CROSS MEMBER | CROSS COMPLETE | 3 |
| 2 | 593 31 93-01 | TOOL HOLDER | TOOL HOLDER EZ AIRFLOW Ø270MM | 3 |
| 3 | 593 51 36-01 | SCREW | SCREW M8X 25 | 18 |
| 4 | 593 54 01-01 | HOLDER | GRIND HOLDER COMPLETE Ø270MM | 3 |
| 5 | 593 48 72-01 | RADIAL SEAL | RADIAL SEAL 60X75X8 | 3 |
| 6 | 593 51 37-01 | SCREW | SCREW M8X45 | 9 |
| 7 | 595 76 09-01 | HOUSING | HOUSING T8 BOTTOM | 1 |
| 8 | 593 48 75-01 | O-RING | O-RING HOUSING 8 | 1 |
| 9 | 593 96 40-01 | SCREW | SCREW M8X16 | 1 |
| 10 | 593 53 81-01 | TENSIONER | PRE TENSION PLATE | 1 |
| 11 | 593 96 42-01 | WASHER | WASHER COPPER 10X20X1 | 1 |
| 12 | 593 96 41-01 | SCREW | SCREW M10X30 | 1 |

P DURATIQ T8
GRINDING HOLDER ASSY

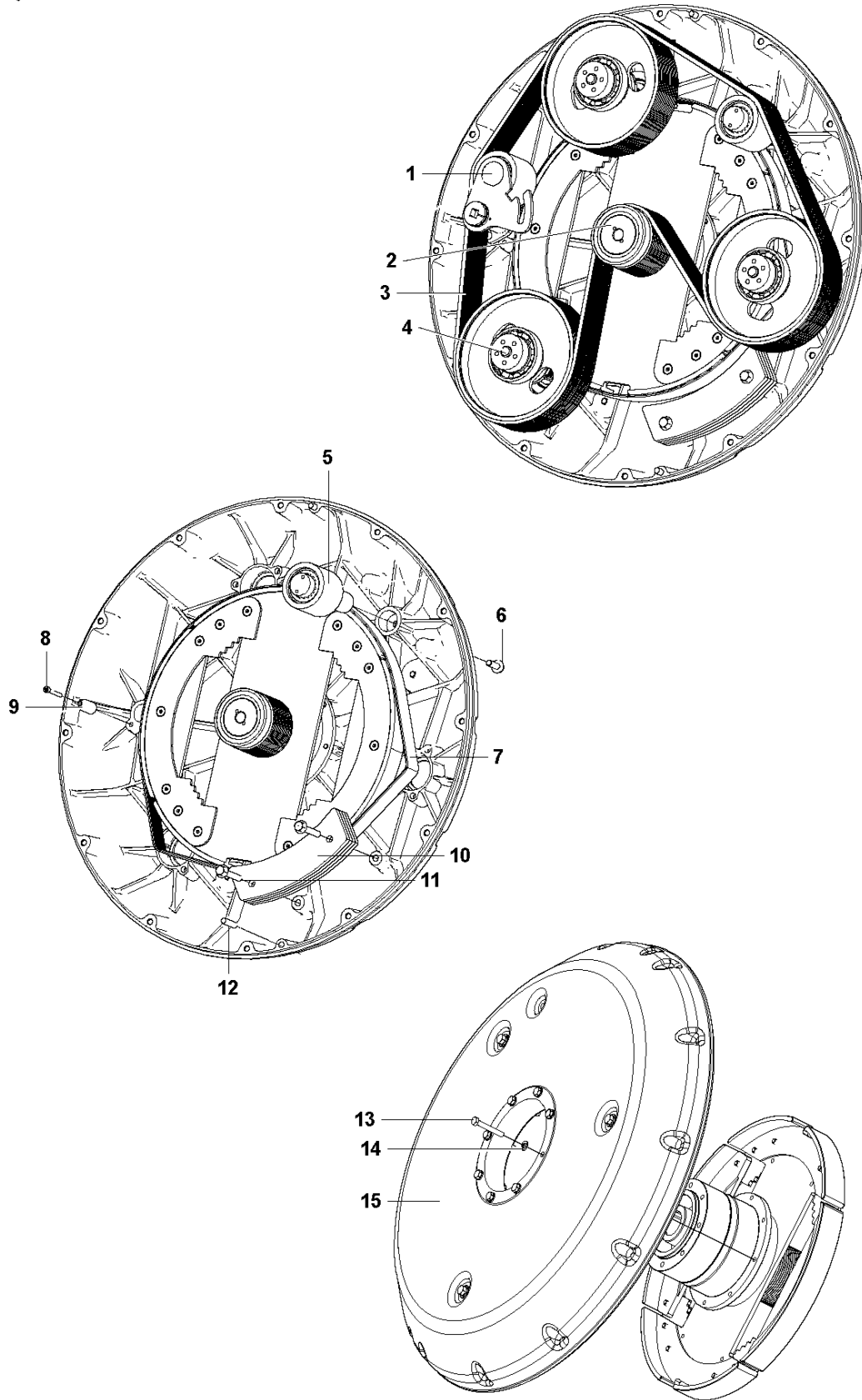


GRINDING HOLDER ASSY

HTC T8/RT8, 967839507, 967839508, 2021-01

| Ref | Part No | Description | Remark | QTY KIT |
|-----|--------------|--------------|-------------------------------|---------|
| 1 | 593 51 26-01 | SCREW | SCREW M 10X50 | 4 |
| 2 | 593 49 91-01 | WASHER | WASHER M10 | 4 |
| 3 | 593 71 81-01 | KIT | EAR WIDE CMPL. | 4 |
| 4 | 593 53 62-01 | CONNECTION | CARDAN CONNECTION | 1 |
| 5 | 593 61 59-01 | CROSS MEMBER | CROSS COMPLETE INCL. POS.6 | 1 |
| 6 | 593 49 99-01 | SCREW | SCREW M8X16 | 3 |
| 7 | 593 50 85-01 | SCREW | SCREW M6X12 | 8 |
| 8 | 593 50 51-01 | SCREW | SCREW M6X20 | 8 |
| 9 | 593 53 97-01 | PLATE | UPPER GRIND HOLDER PLATE | 1 |
| 10 | 595 74 84-01 | ABSORBER | SHOCK ABSORBER | 4 |
| 11 | 593 53 99-01 | PLATE | GRIND HOLDER PLATE Ø270 | 1 |

Q DURATIQ T8
GRINDING HEAD INTERNAL & UPPER

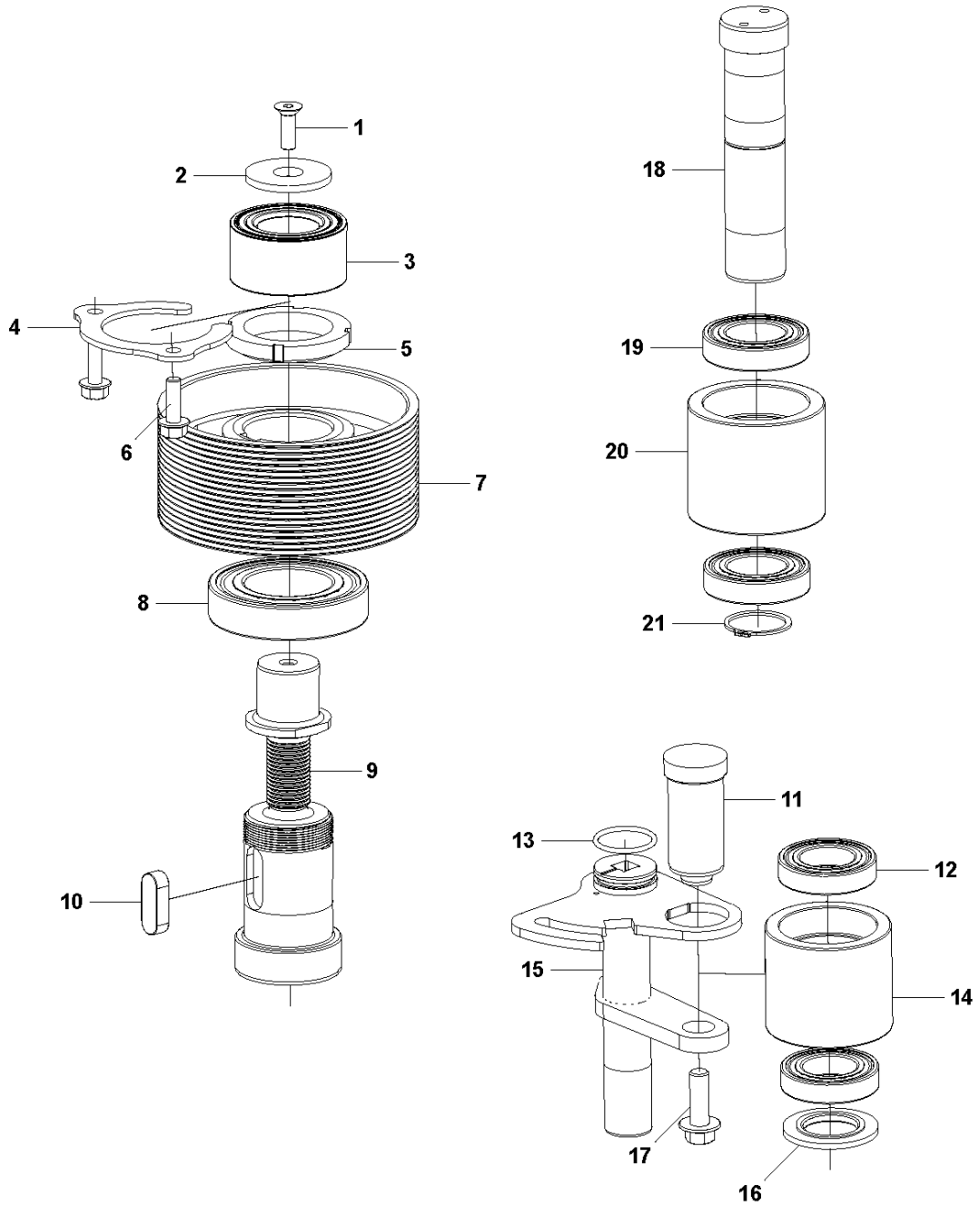


GRINDING HEAD INTERNAL & UPPER

HTC T8/RT8, 967839507, 967839508, 2021-01

| Ref | Part No | Description | Remark | QTY KIT |
|-----|--------------|----------------|-----------------------------|---------|
| 1 | 593 54 37-01 | BELT TENSIONER | BELT TENSIONER | 1 |
| 2 | 593 54 32-01 | HUB ASSY | CENTER HUB ASSY. - 8 | 1 |
| 3 | 593 49 03-01 | BELT | BELT PRIMORY - T8 | 1 |
| 4 | 593 54 33-01 | SHAFT ASSY | GRINDING SHAFT ASSY. - 8 | 3 |
| 5 | 593 71 82-01 | KIT | IDLER ASSY. - 8 | 1 |
| 6 | 593 96 41-01 | SCREW | SCREW M10X30 | 1 |
| 7 | 593 49 02-01 | BELT | BELT SECONDARY - 8 | 1 |
| 8 | 593 51 04-01 | SCREW | SCREW M6X50 | 1 |
| 9 | 595 71 39-01 | TENSIONER | TENSIONER STOP | 1 |
| 10 | 595 71 38-01 | COUNTERWEIGHT | BALANCING WEIGHT - T8 | 4 |
| 11 | 595 68 15-01 | SCREW | SCREW M10X60 | 2 |
| 12 | 593 51 41-01 | PIN | PARALLEL PIN | 2 |
| 13 | 595 67 99-01 | SCREW | SCREW M8X55 | 8 |
| 14 | 593 50 04-01 | WASHER | WASHER M8 | 8 |
| 15 | 595 76 08-01 | HOUSING | HOUSING T8 TOP | 1 |

R DURATIQ T8
IDLER PULLEY ASSY

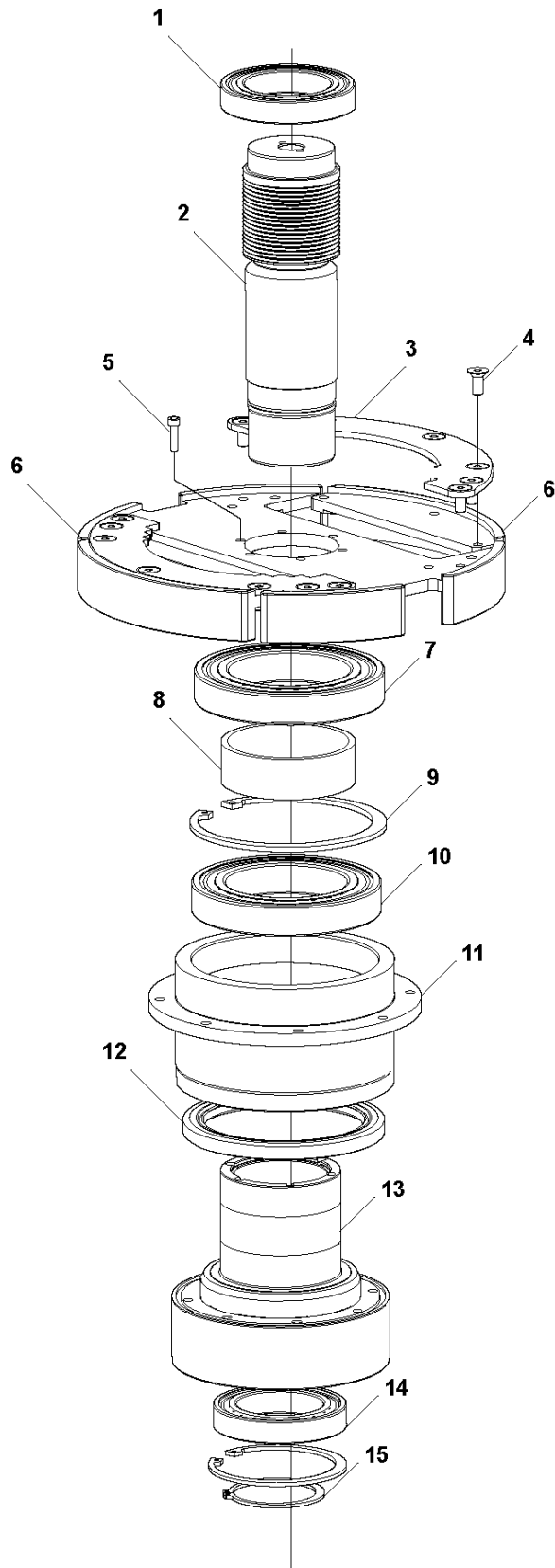


IDLER PULLEY ASSY

HTC T8/RT8, 967839507, 967839508, 2021-01

| Ref | Part No | Description | Remark | QTY KIT |
|-----|--------------|--------------|----------------------------|---------|
| 1 | 593 50 49-01 | SCREW | SCREW M8X20 | 1 |
| 2 | 595 70 99-01 | WASHER | PRETENSION WASHER | 1 |
| 3 | 593 48 77-01 | BEARING | HUB BEARING | 1 |
| 4 | 595 71 00-01 | WASHER | WASHER GRINDING SHAFT | 1 |
| 5 | 593 48 79-01 | NUT | NUT KM 10 | 1 |
| 6 | 593 51 36-01 | SCREW | SCREW M8X25 | 2 |
| 7 | 595 75 76-01 | PULLEY | PULLEY Ø220 | 1 |
| 8 | 593 49 27-01 | BALL BEARING | BALL BEARING 6210-2Z C3 | 1 |
| 9 | 595 76 03-01 | SHAFT | GRINDING SHAFT | 1 |
| 10 | 593 48 76-01 | KEY | KEY 14X9X36 | 1 |
| 11 | 595 76 14-01 | AXLE | AXLE IDLER | 1 |
| 12 | 593 49 28-01 | BALL BEARING | BALL BEARING 6007-2Z C3 | 2 |
| 13 | 593 48 78-01 | O-RING | O-RING 24,2X3 | 1 |
| 15 | 595 76 06-01 | TENSIONER | TENSIONER WELDMENT | 1 |
| 16 | 595 75 73-01 | SPACER | SPACER | 1 |
| 17 | 595 68 01-01 | SCREW | SCREW M12X35 | 1 |
| 18 | 595 76 05-01 | AXLE | IDLER SHAFT | 1 |
| 19 | 593 49 28-01 | BALL BEARING | BALL BEARING 6007-2Z C3 | 2 |
| 21 | 593 49 81-01 | CIRCLIP | CIRCLIP SGA 35X1.5 | 1 |

S DURATIQ T8
CENTER HUB ASSY

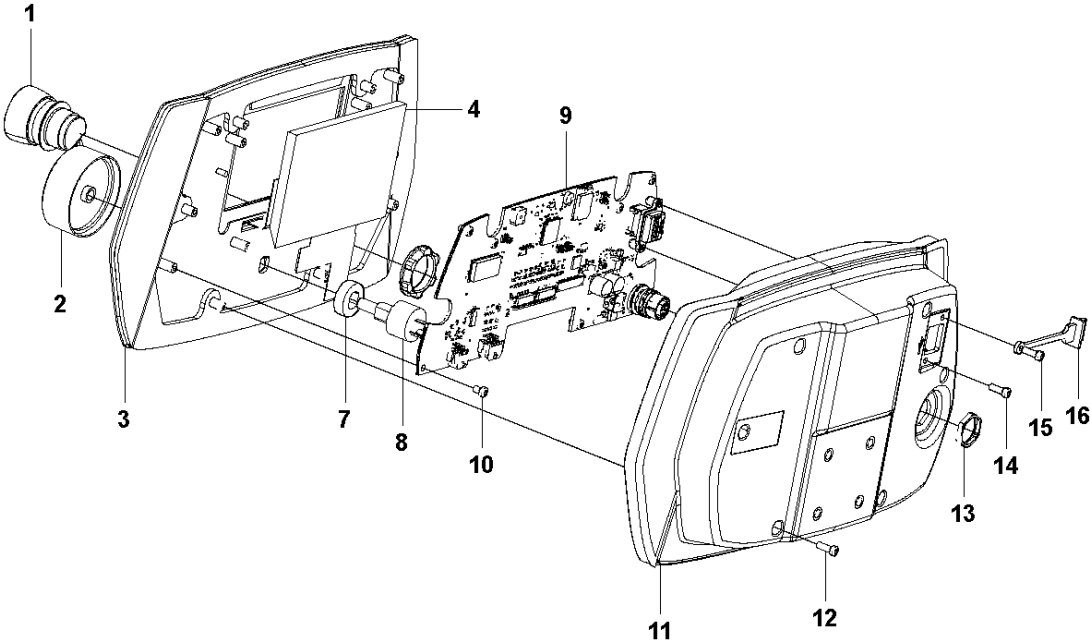


CENTER HUB ASSY

HTC T8/RT8, 967839507, 967839508, 2021-01

| Ref | Part No | Description | Remark | QTY KIT |
|-----|--------------|--------------|-----------------------------------|---------|
| 1 | 593 49 26-01 | BALL BEARING | BALL BEARING 6013-2Z C3 | 1 |
| 2 | 595 75 99-01 | PULLEY | PULLEY CENTER Ø105 | 1 |
| 3 | 593 51 42-01 | SCREW | SCREW M6X20 | 6 |
| 4 | 593 50 49-01 | SCREW | SCREW M8X20 | 14 |
| 5 | 595 70 95-01 | PULLEY | LOCKING PLATE SEC. PULLEY | 2 |
| 6 | 595 75 71-01 | PULLEY | SEGMENT PULLEY INCL. POS 4 & 5 | 2 |
| 7 | 593 62 99-01 | BALL BEARING | BALL BEARING 6018- 2RS1 | 2 |
| 8 | 595 71 31-01 | SPACER | SPACER RING | 1 |
| 9 | 595 67 98-01 | CIRCLIP | CIRCLIP SGH 140X4 | 1 |
| 10 | 595 71 30-01 | HUB | CENTER HUB OUTER | 1 |
| 11 | 593 48 70-01 | RADIAL SEAL | RADIAL SEAL 120X150X12 | 1 |
| 12 | 593 54 29-01 | HUB | CENTER HUB INNER | 1 |
| 13 | 593 49 26-01 | BALL BEARING | BALL BEARING 6013-2Z C3 | 1 |
| 14 | 593 50 30-01 | CIRCLIP | CIRCLIP SGH 100X3 | 1 |
| 15 | 593 50 29-01 | CIRCLIP | CIRCLIP SGA 65X2.5 | 1 |

T DURATIQ T8
CONTROL PANEL

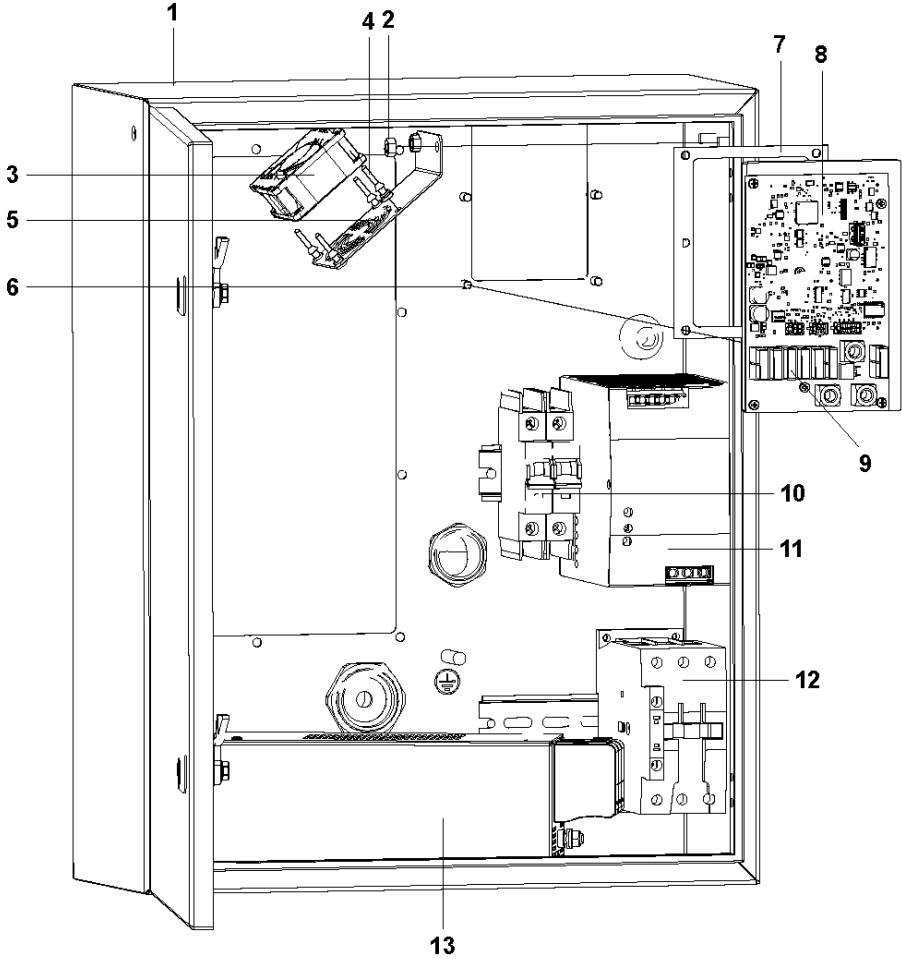


CONTROL PANEL

HTC T8/RT8, 967839507, 967839508, 2021-01

| Ref | Part No | Description | Remark | QTY KIT |
|-----|--------------|-----------------|--------------------------------|---------|
| 1 | 593 54 08-01 | PUSH BUTTON | EMERGENCY STOP | 1 |
| 2 | 593 49 18-01 | KNOB | CONTROL PANEL KNOB | 1 |
| 3 | 595 72 20-02 | CONTROL PANEL | CONTROL PANEL FRONT | 1 |
| 4 | 594 07 87-01 | DISPLAY | DISPLAY 4.3" | 1 |
| 7 | 595 75 93-01 | POTENTIOMETER | POTENTIOMETER GASKET | 1 |
| 8 | 595 71 24-01 | POTENTIOMETER | POTENTIOMETER | 1 |
| 9 | 593 54 07-01 | ELECTRIC MODULE | CONTROL PANEL CIRCUIT BOARD | 1 |
| 10 | 595 68 16-01 | SCREW | SCREW M3X6 | 8 |
| 11 | 595 75 82-01 | CONTROL | CONTROL PANEL ENCLOSURE | 1 |
| 12 | 595681701 | TBD | SCREW M3X10 | 6 |
| 13 | 595 68 18-01 | NUT | NUT PG6 18X2.8 | 1 |
| 14 | 595 68 19-01 | SCREW | SCREW 4-40X8 UNC | 1 |
| 15 | 595 68 20-01 | SCREW | SCREW 4-40X9.5 UNC | 1 |
| 15 | 595 74 32-01 | COVER | USB COVER | 1 |

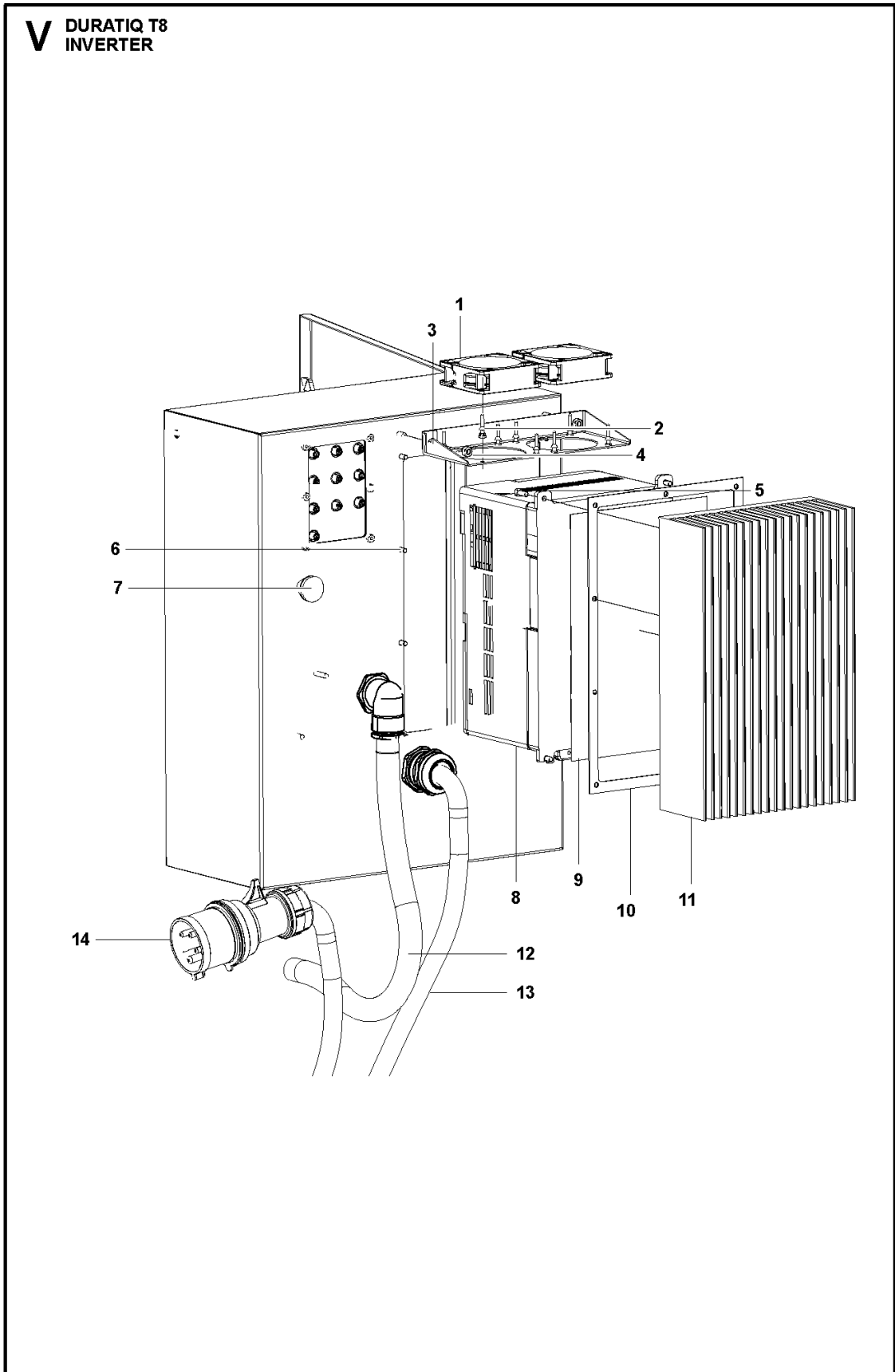
U DURATIQ T8
ELECTRICAL CABINET



ELECTRICAL CABINET

HTC T8/RT8, 967839507, 967839508, 2021-01

| Ref | Part No | Description | Remark | QTY KIT |
|-----|--------------|-----------------|-------------------------------|---------|
| 1 | 595 75 83-01 | ENCLOSED KIT | ENCLOSURE | 1 |
| 2 | 593 50 00-01 | LOCK NUT | NUT M6 | 2 |
| 3 | 595 74 44-01 | FAN | FAN 24VDC - 60x60x25 | 1 |
| 4 | 595 74 43-01 | FAN | FAN MOUNT RUBBER | 4 |
| 5 | 595 71 08-01 | MOUNT | MOUNT PLATE FOR 60mm FAN | 1 |
| 6 | 595 68 22-01 | SCREW | SCREW M5x10 | 6 |
| 7 | 593 53 63-01 | GASKET | GASKET MAIN CIRCUIT BOARD | 1 |
| 8 | 593 54 91-01 | ELECTRIC MODULE | MAIN CIRCUIT BOARD | 1 |
| 9 | 593 55 79-01 | FUSE | FUSES F2 - F7 4A | 6 |
| 9 | 593 55 80-01 | FUSE | FUSES F8 20A | 1 |
| 10 | 593 56 01-01 | CIRCUIT BREAKER | CIRCUIT BREAKER 2-P 5A | 1 |
| 11 | 593 56 02-01 | POWER UNIT | POWER SUPPLY 24VDC 20A | 1 |
| 12 | 593 55 92-01 | CONTACTOR | CONTACTOR 3x200V 12kW 50A | 1 |
| 12 | 593 55 94-01 | CONTACTOR | CONTACTOR 3x400V 15kW 30A | 1 |
| 13 | 593 56 00-01 | FILTER | EMC-FILTER 3x200V 12kW 50A | 1 |
| 13 | 593 55 99-01 | FILTER | EMC-FILTER 3x400V 15kW 30A | 1 |

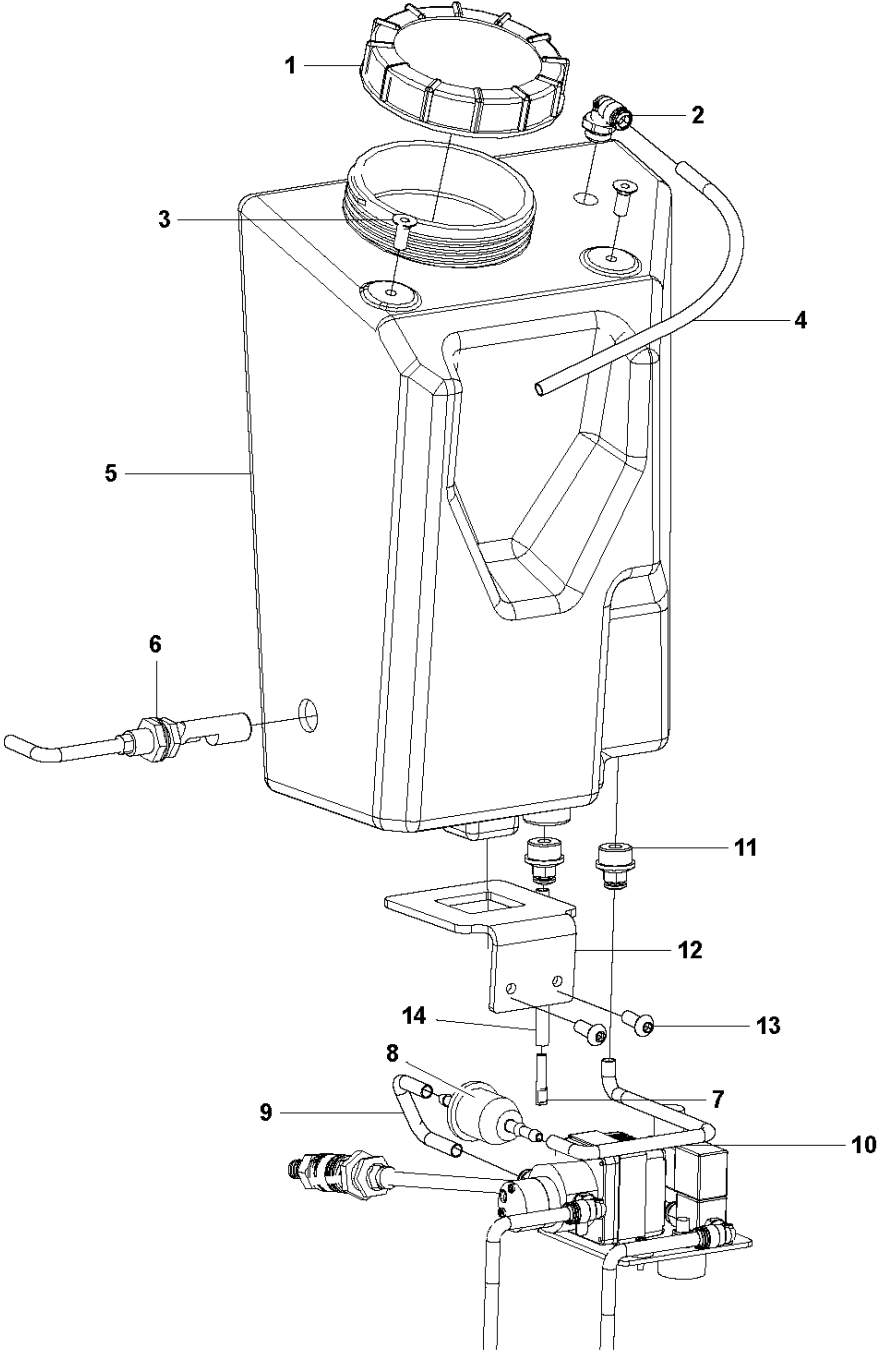


INVERTER

HTC T8/RT8, 967839507, 967839508, 2021-01

| Ref | Part No | Description | Remark | QTY KIT |
|-----|--------------|--------------------|-----------------------------|---------|
| 1 | 593 54 94-01 | FAN | FAN 24VDC - 80x80x25 | 1 |
| 2 | 595 74 43-01 | FAN | FAN MOUNT RUBBER | 8 |
| 3 | 595 70 94-01 | FAN | FAN CONSOLE FOR 80MM | 1 |
| 4 | 593 50 00-01 | LOCK NUT | NUT M6 | 2 |
| 5 | 595 68 21-01 | SCREW | SCREW M5X12 | 4 |
| 6 | 595 68 22-01 | SCREW | SCREW M5X10 | 10 |
| 7 | 595745001 | TBD | PLUG M20 RUBBER | 1 |
| 8 | 593 55 96-01 | FREQUENCY INVERTER | INVERTER 3X200V 12KW | 1 |
| 8 | 597 25 59-01 | HEAT SINK | INVERTER 3X400V 15KW | 1 |
| 8 | 593 55 95-01 | FREQUENCY INVERTER | INVERTER 3X500V 15KW | 1 |
| 9 | 0 | TBD | THERMAL MATERIAL 12/15KW | 1 |
| 10 | 593 53 66-01 | GASKET | GASKET HEATE SINK | 1 |
| 11 | 595 71 09-01 | HEAT SINK | HEATSINK >2.2kW | 1 |
| 12 | 595 77 25-01 | CABLE | CABLE POWER - 1X200V 12KW | 1 |
| 12 | 595 77 24-01 | CABLE | CABLE POWER - 3X400V 15KW | 1 |
| 12 | 595 77 24-01 | CABLE | CABLE POWER - 3X500V 15KW | 1 |
| 13 | 595 77 22-01 | CABLE | CABLE MOTOR - 3X200V 12KW | 1 |
| 14 | 595 74 56-01 | PLUG | PLUG 60A - 3X200V 12KW | 1 |
| 14 | 593 58 48-01 | PLUG | PLUG 20A - 3X400V 15KW | 1 |
| 14 | 593 58 44-01 | PLUG | PLUG 30A - 3X500V 15KW | 1 |
| 14 | 593 56 05-01 | CONNECTOR | CONNECTOR 60A - 3X200V 12KW | 1 |
| 14 | 593 56 07-01 | CONNECTOR | CONNECTOR 30A - 3X400V 15KW | 1 |
| 14 | 561309 | TBD | CONNECTOR 30A - 3X500V 15KW | 1 |

W DURATIQ T8
WATER TANK

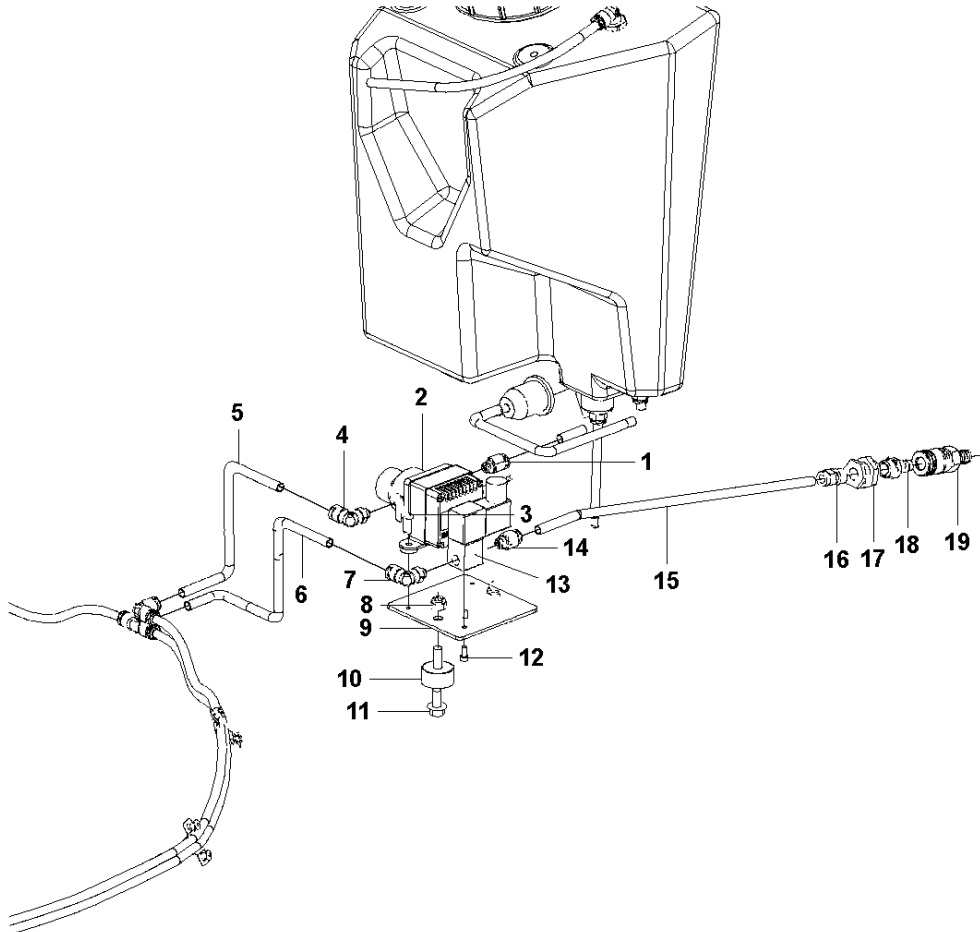


WATER TANK

HTC T8/RT8, 967839507, 967839508, 2021-01

| Ref | Part No | Description | Remark | QTY KIT |
|-----|--------------|-------------|-----------------------------------|---------|
| 1 | 595 65 95-01 | WATER TANK | WATER TANK CAP | 1 |
| 2 | 593 48 98-01 | CONNECTOR | CONNECTOR RED ELBOW 8MM - 3/8M | 1 |
| 3 | 593 50 49-01 | SCREW | SCREW MFTS M8X20 8.8 FZB | 2 |
| 4 | 593 48 87-01 | HOSE | HOSE Ø8/6 370MM | 1 |
| 5 | 593 53 79-01 | TANK | WATER TANK INCL. CAP | 1 |
| 6 | 595 65 96-01 | SWITCH | LEVEL SWITCH | 1 |
| 7 | 593 48 86-01 | CONNECTOR | CONNECTOR RED PLUG Ø6 | 1 |
| 8 | 593 49 13-01 | PREFILTER | WATER PRE FILTER | 1 |
| 9 | 593 48 87-01 | HOSE | HOSE Ø8/6 370MM | 1 |
| 10 | 593 48 87-01 | HOSE | HOSE Ø8/6 370MM | 1 |
| 11 | 593 48 90-01 | CONNECTOR | CONNECTOR RED STRAIGHT 8-1/2M | 2 |
| 12 | 595 75 70-01 | WATER TANK | LOWER TANK BRACKET | 1 |
| 13 | 595 68 07-01 | SCREW | SCREW M8X20 10.9 ZP ISO 7380 | 2 |
| 14 | 593 48 87-01 | HOSE | HOSE Ø8/6 200MM | 1 |

X DURATIQ T8
MIST PUMP

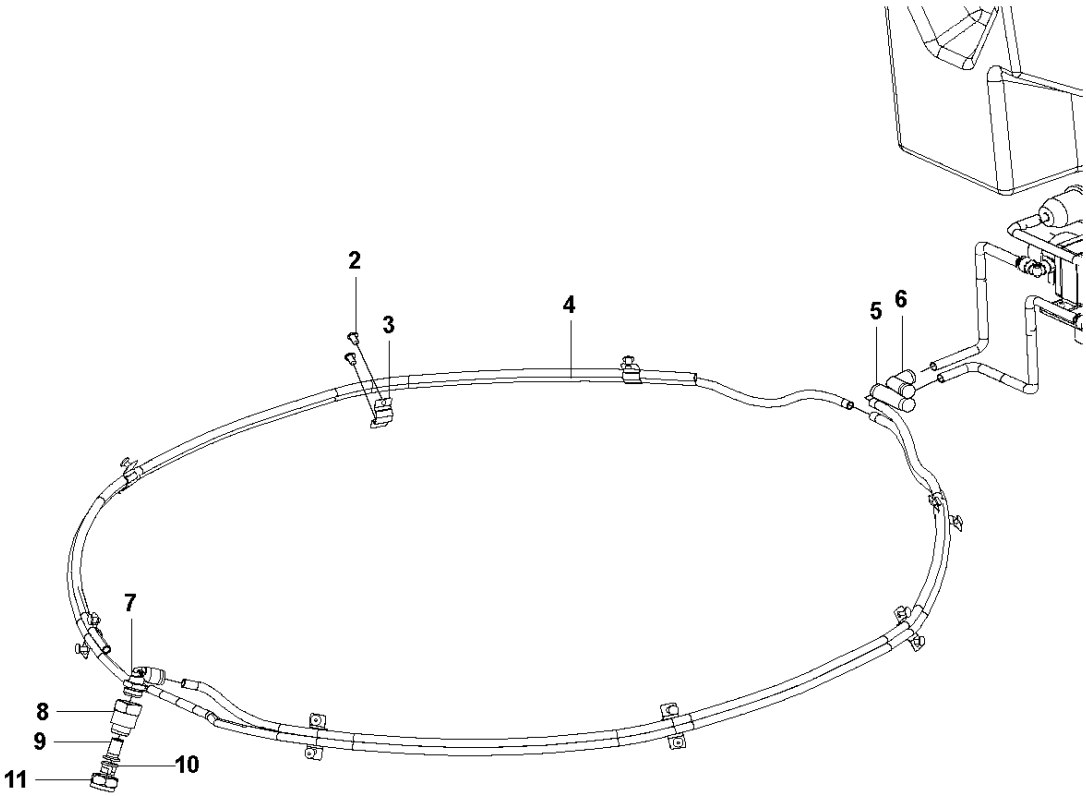
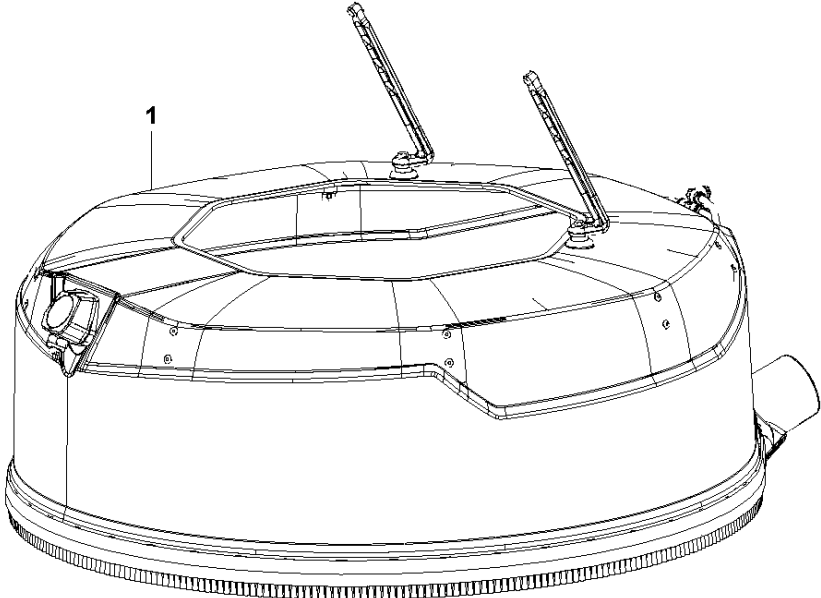


MIST PUMP

HTC T8/RT8, 967839507, 967839508, 2021-01

| Ref | Part No | Description | Remark | QTY KIT |
|-----|--------------|-------------|--|---------|
| 1 | 593 48 82-01 | CONNECTOR | CONNECTOR RED STRAIGHT 8-1/8M | 1 |
| 2 | 593 48 85-01 | PUMP | MIST PUMP | 1 |
| 3 | 593 50 64-01 | SCREW | SCREW MC6S 88 DIN 912 ISO 4762 | 2 |
| 4 | 593 48 83-01 | CONNECTOR | CONNECTOR RED ELBOW 8 - 1/8M | 1 |
| 5 | 593 48 87-01 | HOSE | HOSE Ø8/6 370MM | 1 |
| 6 | 593 48 87-01 | HOSE | HOSE Ø8/6 420MM | 1 |
| 7 | 593 48 84-01 | CONNECTOR | CONNECTOR BLK ELBOW 8 - 1/8M | 1 |
| 8 | 593 49 98-01 | LOCK NUT | NUT LM6M 8 M8 DIN 985 | 2 |
| 9 | 593 53 92-01 | PLATE | PUMP MOUNTING PLATE | 1 |
| 10 | 593 48 80-01 | DAMPER | VIBRATION DAMPER M8 | 2 |
| 11 | 593 96 40-01 | SCREW | SCREW M8x16 8.8 ZP DIN 6921 | 2 |
| 12 | 593 50 89-01 | SCREW | SCREW MC6S M4x10 8.8 DIN 912/ISO 4762 | 2 |
| 13 | 593 49 10-01 | VALVE | WATER VALVE 24VDC | 1 |
| 14 | 593 48 81-01 | CONNECTOR | CONNECTOR BLK STRAIGHT 8-1/8M | 1 |
| 15 | 593 48 87-01 | HOSE | HOSE Ø8/6 370MM | 1 |
| 16 | 593 48 89-01 | CONNECTOR | CONNECTOR BLK STRAIGHT 8-1/4M | 1 |
| 17 | 593 48 88-01 | CONNECTOR | CONNECTOR BULKHEAD 1/4F-1/4F | 1 |
| 18 | 593 48 91-01 | CONNECTOR | CONNECTOR QUICK MALE 1/4M | 1 |
| 19 | 593 48 92-01 | CONNECTOR | CONNECTOR QUICK FEMALE Ø12 | 1 |

Y DURATIQ T8
GRINDING COVER

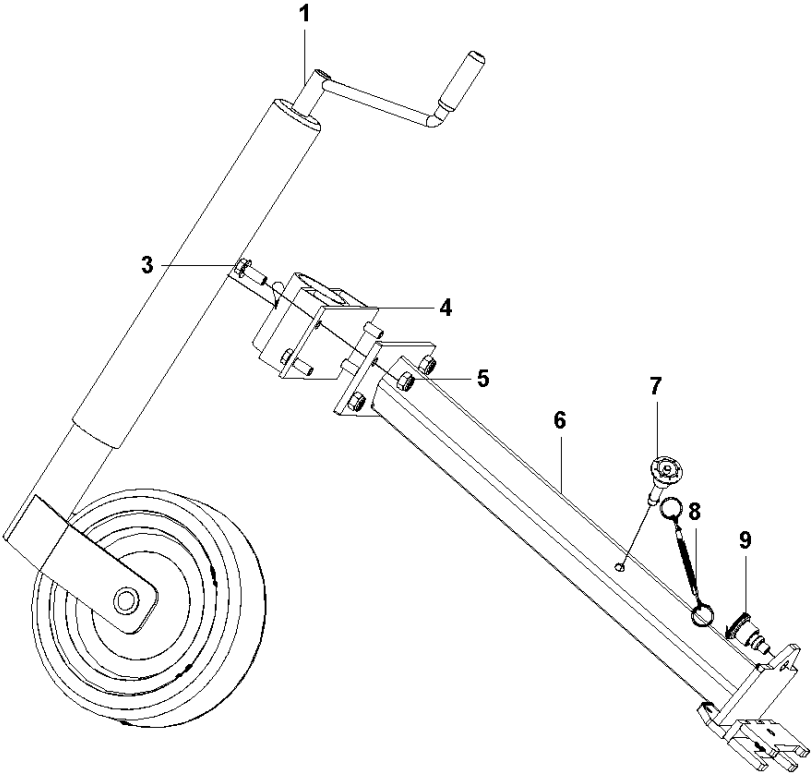


GRINDING COVER

HTC T8/RT8, 967839507, 967839508, 2021-01

| Ref | Part No | Description | Remark | QTY KIT |
|-----|--------------|-----------------|------------------------------------|---------|
| 1 | 593 48 11-01 | COVER | GRINDING COVER T/X8 WATER CMPL. | 1 |
| 2 | 593 51 46-01 | RIVET | BLIND RIVET 4.8X11 BLACK | 16 |
| 3 | 595 74 60-01 | CLIP | CLIP 2XØ8MM | 8 |
| 4 | 595 71 17-01 | HOSE | HOSE MIST AND WATER 8 CUT | 1 |
| 5 | 593 48 95-01 | CONNECTOR | CONNECTOR BLK TEE 3 x 8MM | 1 |
| 6 | 593 48 97-01 | CONNECTOR | CONNECTOR RED ELBOW 8MM - 8MM | 1 |
| 7 | 593 48 98-01 | CONNECTOR | CONNECTOR RED ELBOW 8MM - 3/8M | 1 |
| 8 | 593 61 73-01 | EXTENSION JOINT | MIST EXTENSION | 1 |
| 9 | 593 48 99-01 | FILTER | MIST FILTER, 100 MESH | 1 |
| 10 | 593 49 00-01 | NOZZLE | MIST NOZZLE | 1 |
| 11 | 593 49 01-01 | NUT | MIST NUT G3/8 SS | 1 |

Z DURATIQ T8
SUPPORT WHEEL

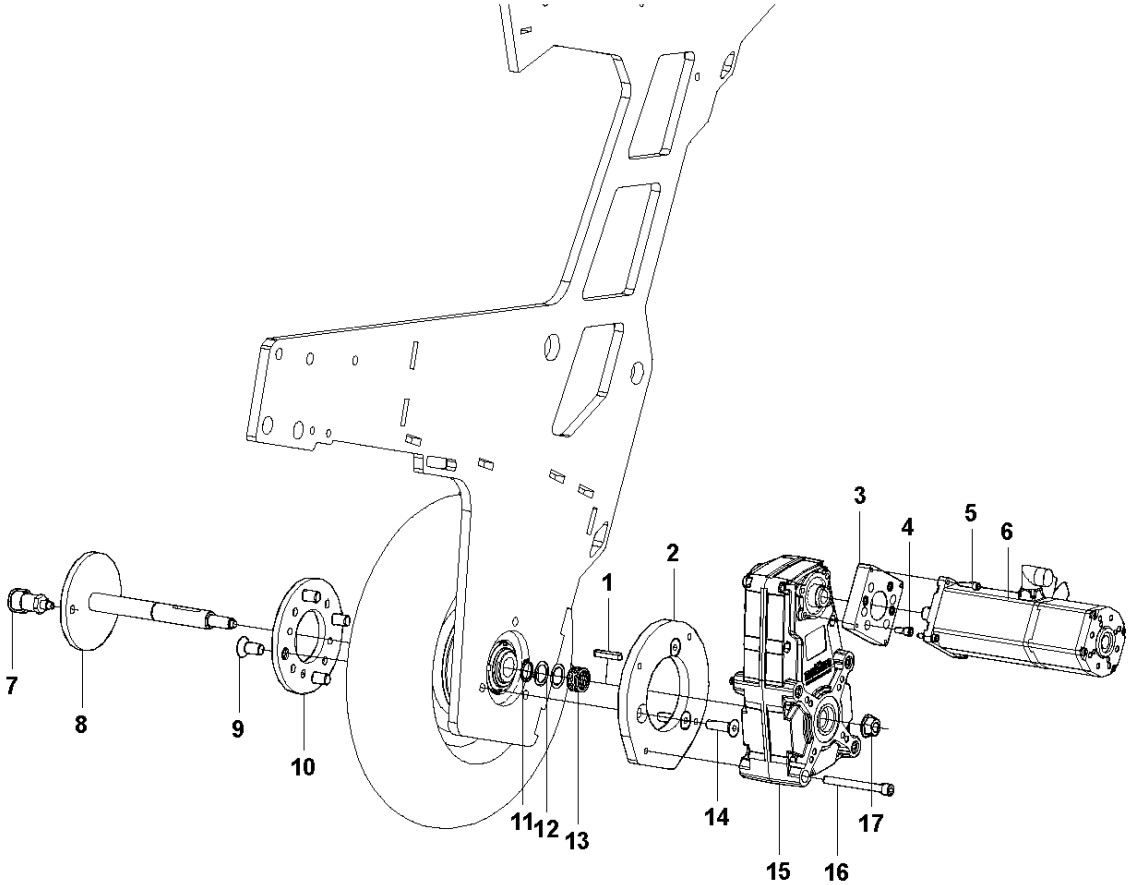


SUPPORT WHEEL

HTC T8/RT8, 967839507, 967839508, 2021-01

| Ref | Part No | Description | Remark | QTY KIT |
|-----|--------------|---------------|---------------------------------|---------|
| 1 | 593 47 00-01 | SUPPORT WHEEL | SUPPORT WHEEL | 1 |
| 3 | 593 51 38-01 | SCREW | SCREW M10x25 | 4 |
| 4 | 593 47 01-01 | WHEEL BRACKET | SUPPORT WHEEL BRACKET | 1 |
| 5 | 593 49 58-01 | LOCK NUT | NUT M8 | 4 |
| 6 | 593 54 23-01 | BASE | SUPPORT WHEEL BASE | 1 |
| 7 | 593 49 23-01 | BOLT | SNAP BOLT Ø10 | 1 |
| 8 | 593 49 22-01 | WIRE | WIRE FOR SNAP BOLT | 1 |
| 9 | 593 49 36-01 | PISTON | INDEXING PLUNGER Ø10 M16x1.5 | 1 |

AA DURATIQ T8
DRIVE MOTOR ASSY V.1

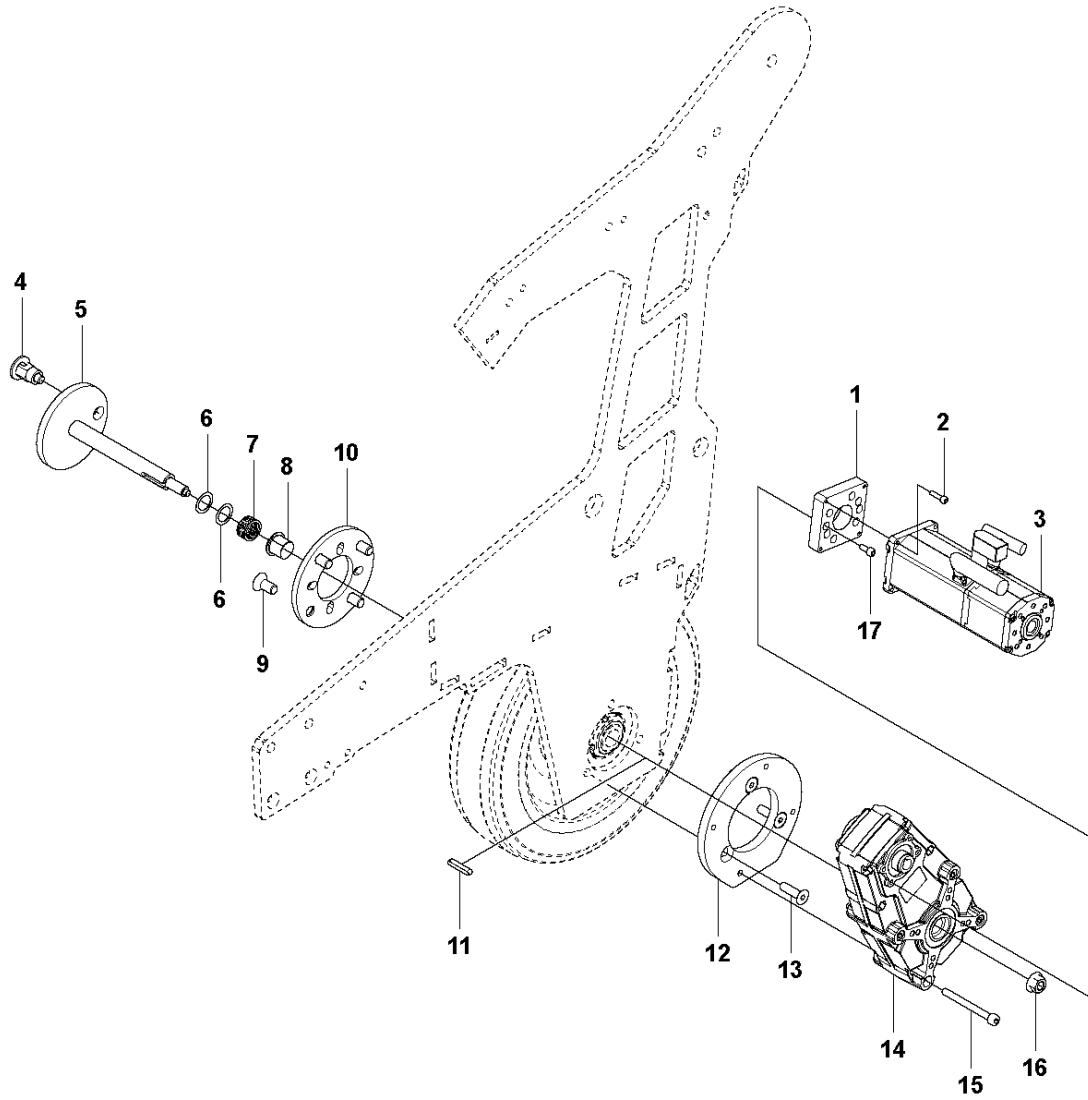


DRIVE MOTOR ASSY

HTC T8/RT8, 967839507, 967839508, 2021-01

| Ref | Part No | Description | Remark | QTY KIT |
|-----|--------------|------------------|---------------------------|---------|
| 1 | 593 49 07-01 | KEY | KEY 6X6X36 | 1 |
| 2 | 593 53 72-01 | SPACER | GEAR SPACER | 1 |
| 3 | 593 54 03-01 | ADAPTER | DRIVE ADAPTER | 1 |
| 4 | 593 50 80-01 | SCREW | SCREW M6X14 | 4 |
| 5 | 593 50 38-01 | SCREW | SCREW M5X20 | 4 |
| 6 | 593 58 24-01 | DRIVE MOTOR | DRIVE MOTOR RIGHT | 1 |
| 6 | 593 49 11-01 | DRIVE MOTOR | DRIVE MOTOR LEFT | 1 |
| 7 | 593 61 87-01 | PISTON | INDEXING PLUNGER M10X1 | 1 |
| 8 | 593 53 70-01 | DRIVE SHAFT ASSY | DRIVE SHAFT ASSY. | 1 |
| 9 | 595 68 04-01 | SCREW | SCREW M12X25 | 4 |
| 10 | 593 53 71-01 | SPACER | LOCKING SPACER | 1 |
| 11 | 593 49 63-01 | CIRCLIP | CIRCLIP SGA20X1.2 | 1 |
| 12 | 593 51 44-01 | RING | SHIM RING 20X28X0.3 | 2 |
| 13 | 593 49 08-01 | SPRING | WAVE SPRING | 1 |
| 14 | 593 51 40-01 | SCREW | SCREW M10X35 | 3 |
| 15 | 593 49 12-01 | GEARBOX | DRIVE GEARBOX | 1 |
| 16 | 595 67 23-01 | SCREW | SCREW M8X80 | 4 |
| 17 | 593 51 39-01 | LOCK NUT | NUT M12 | 1 |

AA DURATIQ T8
DRIVE MOTOR ASSY V.2

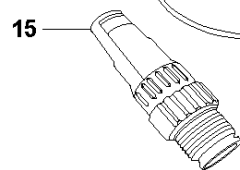
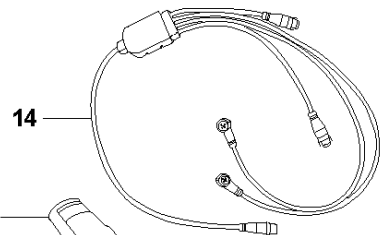
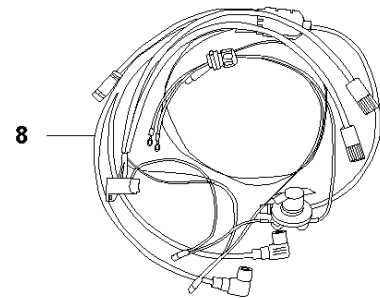
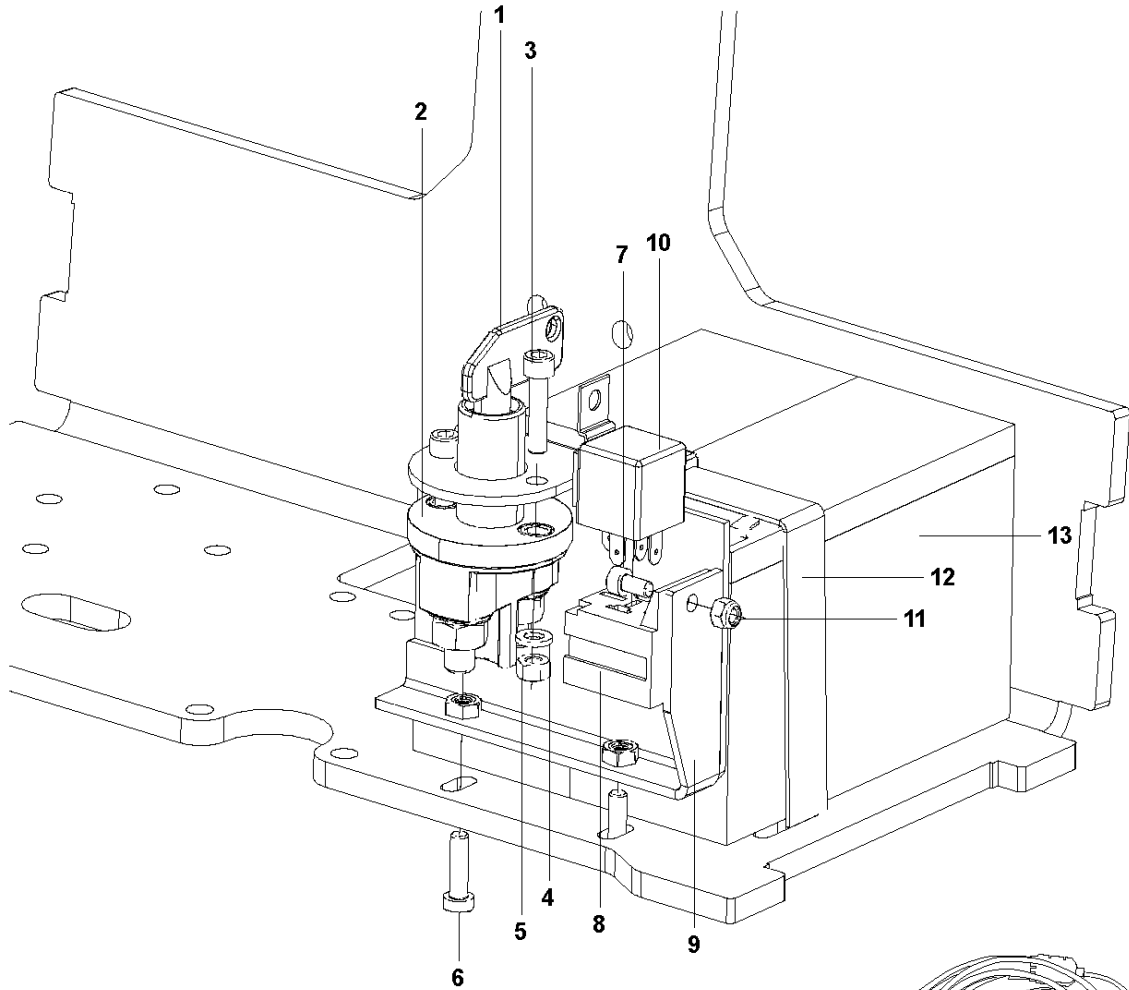


DRIVE MOTOR ASSY

HTC T8/RT8, 967839507, 967839508, 2021-01

| Ref | Part No | Description | Remark | QTY KIT |
|-----|--------------|------------------|---------------------------|---------|
| 1 | 593 49 07-01 | KEY | KEY 6X6X36 | 1 |
| 2 | 593 53 72-01 | SPACER | GEAR SPACER | 1 |
| 3 | 593 54 03-01 | ADAPTER | DRIVE ADAPTER | 1 |
| 4 | 593 50 80-01 | SCREW | SCREW M6X14 | 4 |
| 5 | 593 50 38-01 | SCREW | SCREW M5X20 | 4 |
| 6 | 593 58 24-01 | DRIVE MOTOR | DRIVE MOTOR RIGHT | 1 |
| 6 | 593 49 11-01 | DRIVE MOTOR | DRIVE MOTOR LEFT | 1 |
| 7 | 593 61 87-01 | PISTON | INDEXING PLUNGER M10X1 | 1 |
| 8 | 593 53 70-01 | DRIVE SHAFT ASSY | DRIVE SHAFT ASSY. | 1 |
| 9 | 595 68 04-01 | SCREW | SCREW M12X25 | 4 |
| 10 | 593 53 71-01 | SPACER | LOCKING SPACER | 1 |
| 11 | 593 49 63-01 | CIRCLIP | CIRCLIP SGA20X1.2 | 1 |
| 12 | 593 51 44-01 | RING | SHIM RING 20X28X0.3 | 2 |
| 13 | 593 49 08-01 | SPRING | WAVE SPRING | 1 |
| 14 | 593 51 40-01 | SCREW | SCREW M10X35 | 3 |
| 15 | 593 49 12-01 | GEARBOX | DRIVE GEARBOX | 1 |
| 16 | 595 67 23-01 | SCREW | SCREW M8X80 | 4 |
| 17 | 593 51 39-01 | LOCK NUT | NUT M12 | 1 |

AB DURATIQ T8
BATTERY V.1

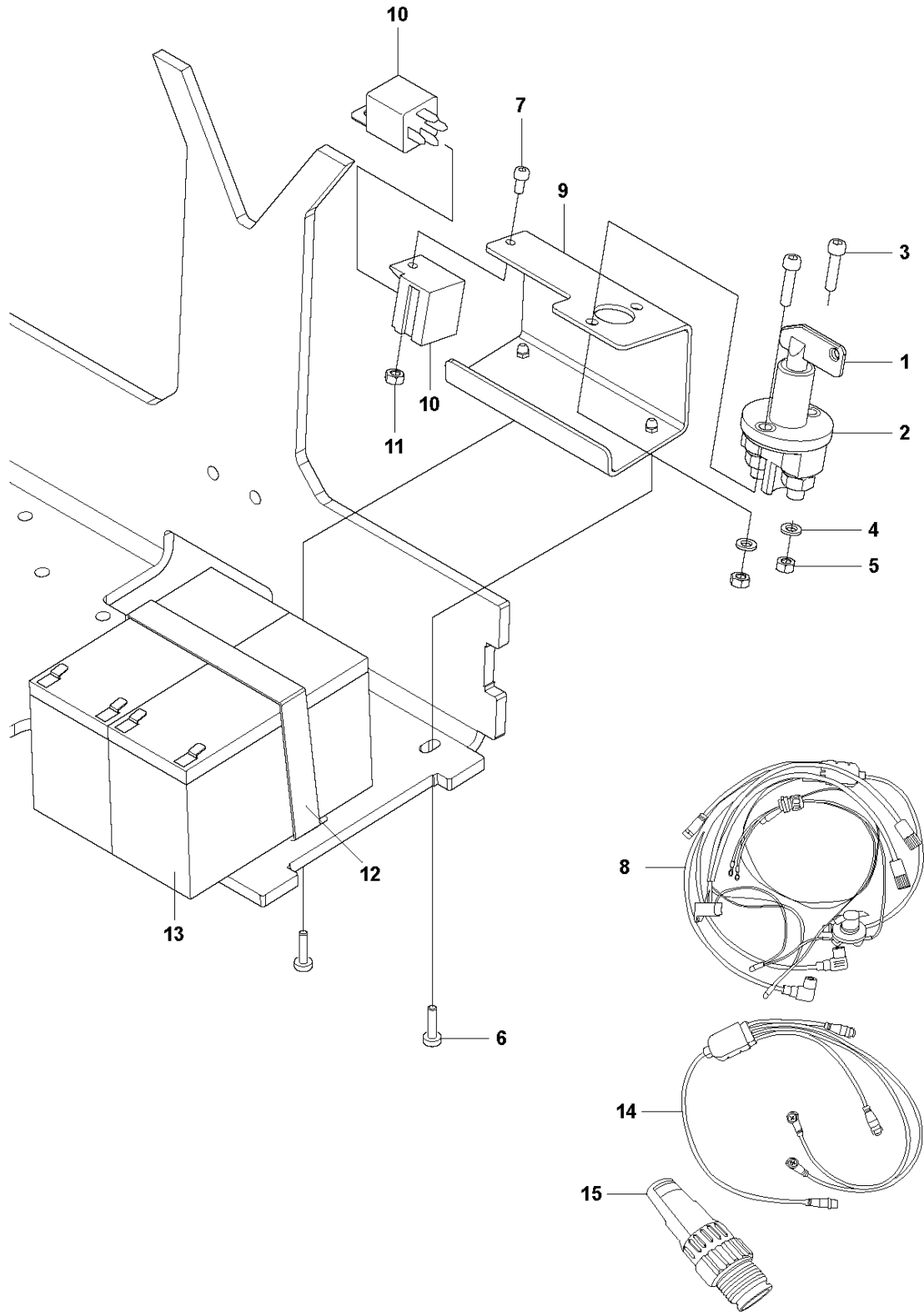


BATTERY

HTC T8/RT8, 967839507, 967839508, 2021-01

| Ref | Part No | Description | Remark | QTY KIT |
|-----|--------------|-------------|------------------------------|---------|
| 1 | 593 55 87-01 | KEY | BATTERY SWITCH KEY | 1 |
| 2 | 564045 | TBD | BATTERY SWITCH INCL. KEY | 1 |
| 3 | 593 51 42-01 | SCREW | SCREW M6X20 | 2 |
| 4 | 593 49 60-01 | WASHER | WASHER M6 | 2 |
| 5 | 593 50 00-01 | LOCK NUT | NUT M6 | 2 |
| 6 | 593 51 42-01 | SCREW | SCREW M6X20 | 2 |
| 7 | 593 50 20-01 | SCREW | SCREW M5X12 | 1 |
| 8 | 593 58 43-01 | CABLE | DRIVE MOTOR CABLE KIT | 1 |
| 9 | 593 53 80-01 | HOLDER | BATTERY HOLDER | 1 |
| 10 | 594 95 35-01 | RELAY | RELAY 24V | 1 |
| 11 | 593 50 65-01 | LOCK NUT | NUT M5 | 1 |
| 12 | 595 66 00-01 | BATTERY | BATTERY STRAP | 1 |
| 13 | 593 49 16-01 | BATTERY | BATTERY 12V | 2 |
| 14 | 593 54 98-01 | CABLE | CABLE DRIVE MOTOR CONTROL | 1 |
| 15 | 593 56 09-01 | RESISTOR | CAN TERMINATION RESISTOR | 1 |

AB DURATIQ T8
BATTERY V.2

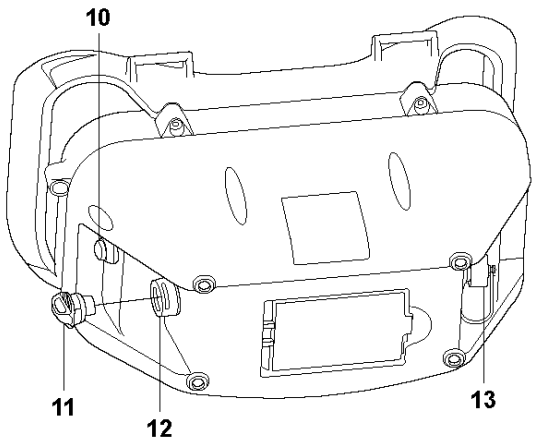
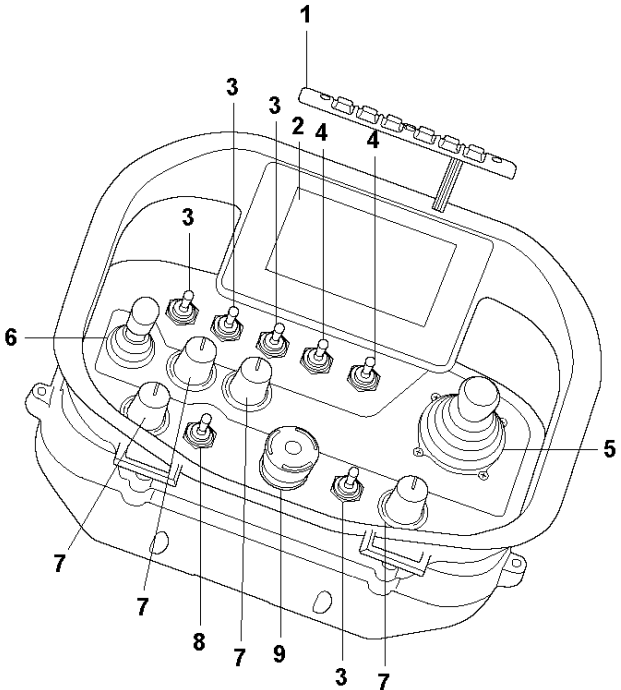


BATTERY

HTC T8/RT8, 967839507, 967839508, 2021-01

| Ref | Part No | Description | Remark | QTY KIT |
|-----|--------------|-------------|------------------------------|---------|
| 1 | 593 55 87-01 | KEY | BATTERY SWITCH KEY | 1 |
| 2 | 564045 | TBD | BATTERY SWITCH INCL. KEY | 1 |
| 3 | 593 51 42-01 | SCREW | SCREW M6X20 | 2 |
| 4 | 593 49 60-01 | WASHER | WASHER M6 | 2 |
| 5 | 593 50 00-01 | LOCK NUT | NUT M6 | 2 |
| 6 | 593 51 42-01 | SCREW | SCREW M6X20 | 2 |
| 7 | 593 50 20-01 | SCREW | SCREW M5X12 | 1 |
| 8 | 593 58 43-01 | CABLE | DRIVE MOTOR CABLE KIT | 1 |
| 9 | 593 53 80-01 | HOLDER | BATTERY HOLDER | 1 |
| 10 | 594 95 35-01 | RELAY | RELAY 24V | 1 |
| 11 | 593 50 65-01 | LOCK NUT | NUT M5 | 1 |
| 12 | 595 66 00-01 | BATTERY | BATTERY STRAP | 1 |
| 13 | 593 49 16-01 | BATTERY | BATTERY 12V | 2 |
| 14 | 593 54 98-01 | CABLE | CABLE DRIVE MOTOR CONTROL | 1 |
| 15 | 593 56 09-01 | RESISTOR | CAN TERMINATION RESISTOR | 1 |

AC DURATIQ T8
REMOTE CONTROL

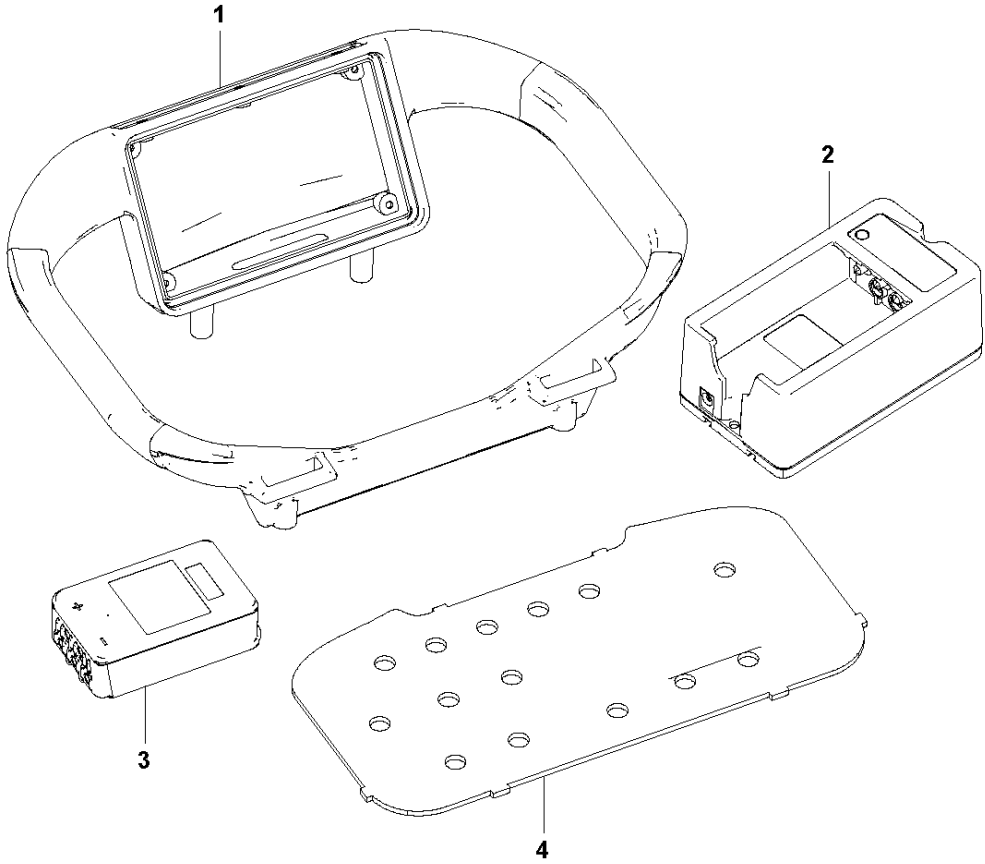


REMOTE CONTROL

HTC T8/RT8, 967839507, 967839508, 2021-01

| Ref | Part No | Description | Remark | QTY KIT |
|-------|--------------|----------------|--|---------|
| 1 | 595 74 29-01 | DISPLAY | KEYPAD DISPLAY | 1 |
| 2 | 593 55 81-01 | DISPLAY | DISPLAY 4.3" | 1 |
| 3 | 595 74 22-01 | SWITCH | TOGGLE SWITCH 1POL ON-ON | 4 |
| 4 | 595 74 23-01 | SWITCH | TOGGLE SWITCH 1POL ON-(ON) | 2 |
| 5 | 595 74 18-01 | JOYSTICK | JOYSTICK CMPL. INCL. SCREWS | 1 |
| 6 | 593 55 82-01 | TOGGLE SWITCH | TOGGLE SWITCH 2POL ON-OFF-ON | 1 |
| 7 | 595 74 19-01 | POTENTIOMETER | POTENTIOMETER CMPL. | 4 |
| 8 | 593 55 83-01 | TOGGLE SWITCH | TOGGLE SWITCH 1POL ON-OFF-ON | 1 |
| 9 | 595 74 24-01 | BUTTON | STOP PUSH BUTTON | 1 |
| 10 | 595 74 25-01 | BUTTON | USH BUTTON SWITCH | 1 |
| 11 | 595 74 17-01 | KEY | S-KEY CMPL. TRANSMITTER / RECEIVER V.1 | 1 |
| 11 | 599 53 48-01 | REMOTE CONTROL | S-KEY CMPL. TRANSMITTER / RECEIVER V.2 | 1 |
| 12 | 593 74 02-01 | CONNECTOR | S-KEY SOCKET | 1 |
| 13 | 595 74 34-01 | CABLE | CABLE CONTROL SOCKET | 1 |
| 3,4,8 | 595 74 21-01 | SWITCH | TOGGLE SWITCH RUBBER BELLOWS | 7 |

AD DURATIQ T8
REMOTE CONTROL

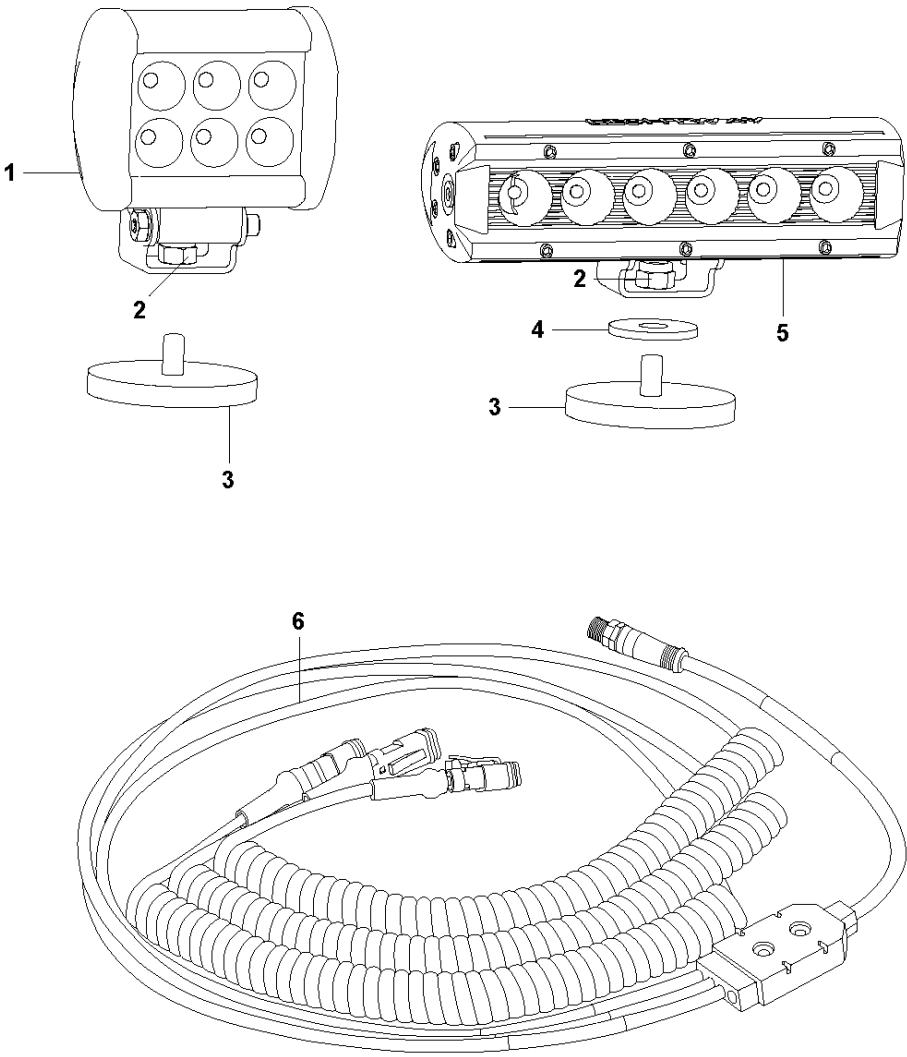


REMOTE CONTROL

HTC T8/RT8, 967839507, 967839508, 2021-01

| Ref | Part No | Description | Remark | QTY KIT |
|-----|--------------|-----------------|-----------------|---------|
| 1 | 593 55 85-01 | DISPLAY COVER | REMOTE HANDLE | 1 |
| 2 | 593 49 14-01 | BATTERY CHARGER | BATTERY CHARGER | 1 |
| 3 | 593 49 15-01 | BATTERY | BATTERY | 1 |
| 4 | 595 74 27-02 | TRANSMISSION | REMOTE OVERLAY | 1 |

AE DURATIQ T8
LIGHT KIT



LIGHT KIT

HTC T8/RT8, 967839507, 967839508, 2021-01

| Ref | Part No | Description | Remark | QTY KIT |
|-----|--------------|-------------|----------------------------|---------|
| 1 | 593 54 06-01 | LIGHT | LIGHT FRONT W. MOUNT | 1 |
| 2 | 593 49 98-01 | LOCK NUT | LOCK NUT M8 ZP DIN 985 | 1 |
| 3 | 595 75 07-01 | MAGNET | MAGNET Ø66 RUBBER COVER | 1 |
| 4 | 593 49 62-01 | WASHER | WASHER M8 8.4X26X5 ZP | 1 |
| 5 | 593 54 05-01 | LIGHT | LIGHT REAR W. MOUNT | 1 |
| 6 | 593 54 95-01 | CABLE | CABLE LIGHT KIT | 1 |