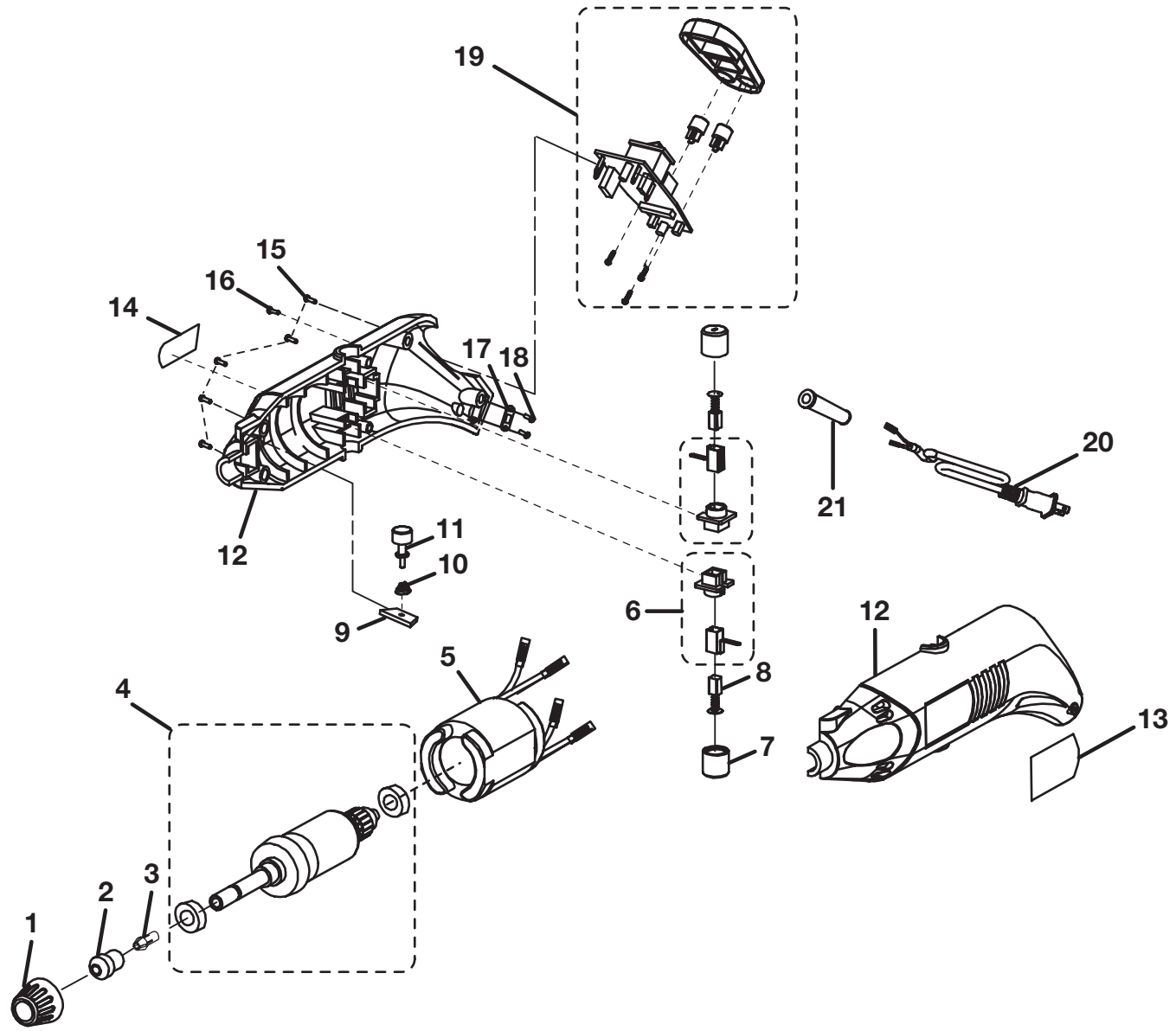


RYOBI ROTARY TOOL KIT – MODEL NUMBER HT230



## RYOBI ROTARY TOOL KIT – MODEL NUMBER HT230

The model number will be found on a plate attached to the motor housing. Always mention the model number in all correspondence regarding your **ROTARY TOOL KIT** or when ordering repair parts.

### PARTS LIST

KEY NO.	PART NUMBER	DESCRIPTION	QTY	KEY NO.	PART NUMBER	DESCRIPTION	QTY
1	039174001001	FRONT CAP.....	1	<b>NOT SHOWN:</b>			
2	039174001002	COLLET NUT.....	1	22	039174001086	LOCKING KEY.....	1
3	039174001003	COLLET.....	1	23	039174001087	1/8 in. DRYWALL CUTTING BIT.....	1
4	039174001004	ARMATURE ASSEMBLY.....	1	24	039174001088	GRINDING ACCESSORIES (PACK OF 23).....	1
5	039174001005	FIELD.....	1	25	039174001089	BRUSHING ACCESSORIES (PACK OF 7).....	1
6	039174001006	BRUSH TUBE AND HOLDER ASSEMBLY.....	2	26	039174001090	MANDREL ACCESSORIES (PACK OF 6).....	1
7	039174001007	BRUSH CAP.....	2	27	039174001091	SANDING ACCESSORIES (PACK OF 35).....	1
8	039174001008	CARBON BRUSH & SPRING.....	2	28	039174001092	CUTTING ACCESSORIES (PACK OF 114).....	1
9	039174001011	BAFFLE.....	1	29	039174001093	POLISHING ACCESSORIES (PACK OF 12).....	1
10	039174001012	SPRING.....	1	30	039174001094	COLLETS (PACK OF 4).....	1
11	039174001013	LOCK.....	1	31	039174001095	DRILL BITS (PACK OF 14).....	1
12	039174001014	HOUSING ASSEMBLY (INC. KEY NOS. 13 AND 14).....	1	32	039174001072	DIAMOND WHEEL POINTS (PACK OF 5).....	1
13	039174001015	LOGO LABEL.....	1	33	039174001059	WOOD HANDLE PARTS CLEANING BRUSH.....	1
14	039174001016	DATA LABEL.....	1	34	039174001060	TELESCOPING TOOL HANGER.....	1
15	039174001017	* SCREW (M3 X 16 mm PAN HD.).....	5	35	039174001061	36 in. FLEX SHAFT.....	1
16	039174001018	* SCREW (M3 X 14 mm PAN HD.).....	1	36	039174001062	CLAMP-ON BASE FOR TOOL HANGER.....	1
17	039174001019	CORD CLAMP.....	1	37	039174001064	PLUNGE CUTTING ACCESSORY.....	1
18	039174001020	* SCREW (M3 X 7 mm PAN HD.).....	2	38	039174001065	WRENCH.....	1
19	039174001021	LCD CIRCUIT BOARD ASSEMBLY.....	1	39	039174001040	POLISHING COMPOUND VIAL.....	1
20	039174001022	POWER CORD.....	1	40	039174001096	TOOL BALE.....	1
21	039174001023	BEND RELIEF.....	1	41	039174001078	CARRYING CASE.....	1
					987000010	OPERATOR'S MANUAL (039174001079)	
					09-12-07		
					(REV:02)		

**WARNING: Improper repair of a double insulated tool can result in damage to the double insulation system possibly causing electrical shock or electrocution. Any repairs requiring disassembly of your tool requires safety testing and should only be performed by a Ryobi Authorized Service Center. For the service center nearest you call 1-800-525-2579.**

\* STANDARD HARDWARE ITEM – MAY BE PURCHASED LOCALLY