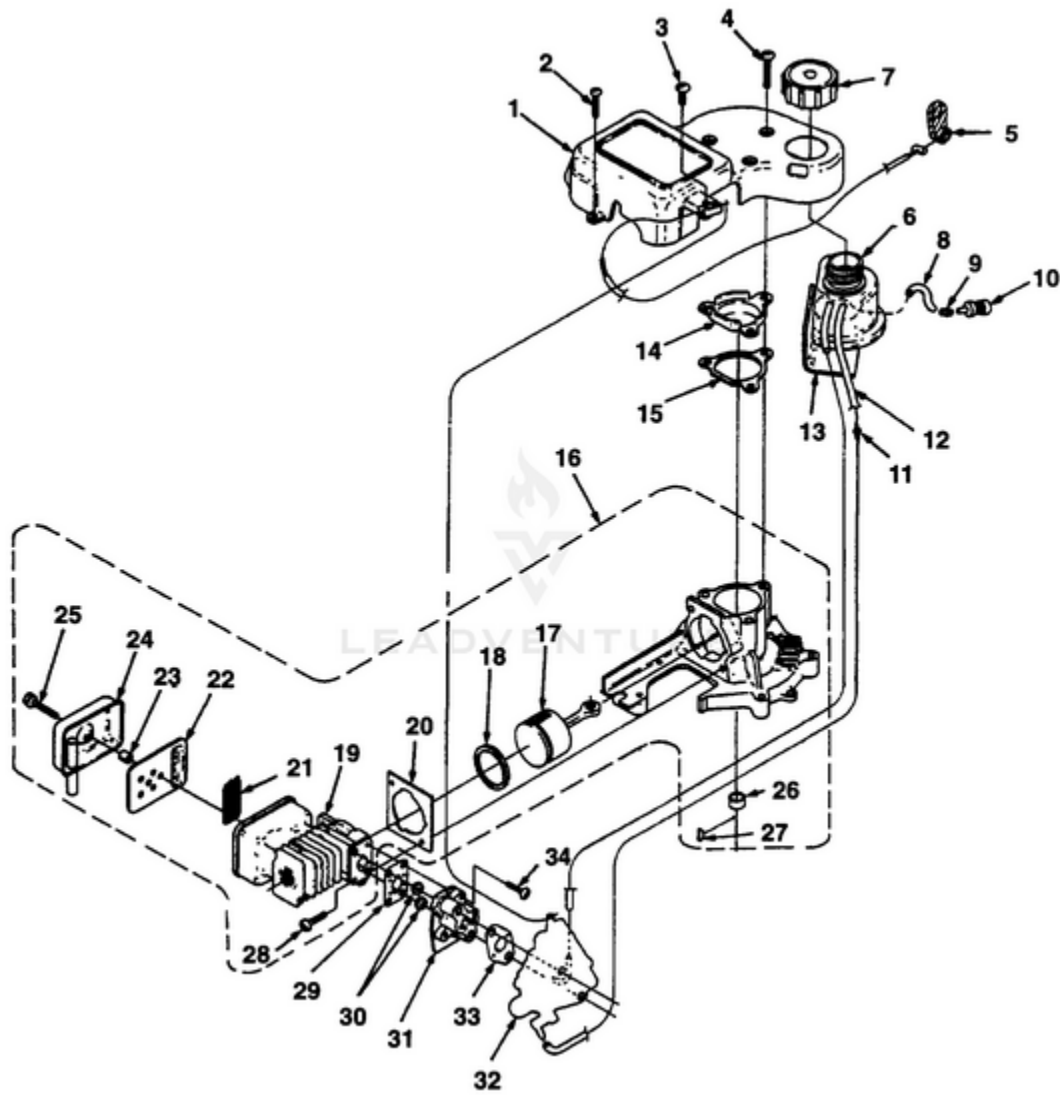


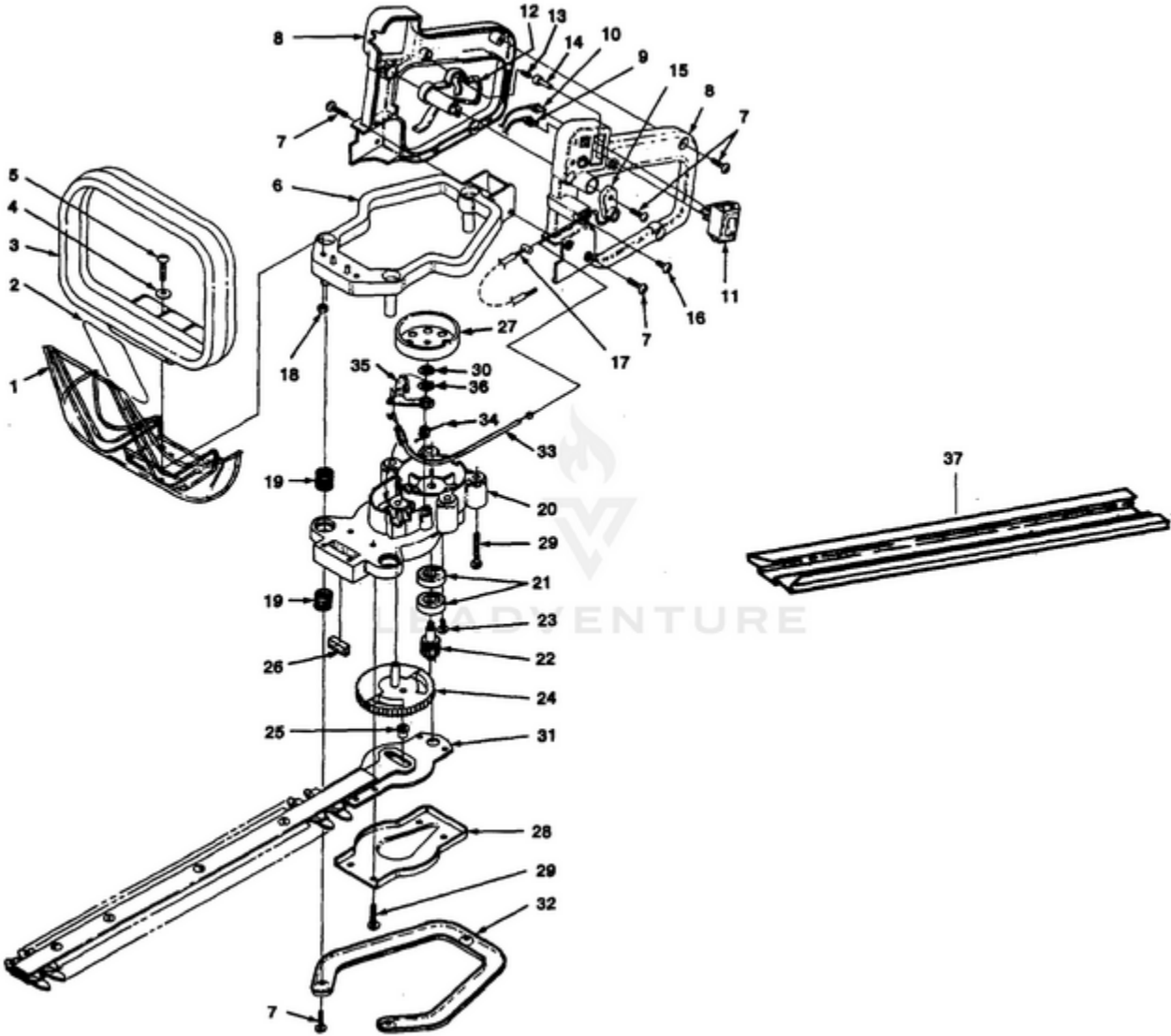
HT21i Hedge Trimmer UT-18016-G - Engine Internal



Rendered by LeadVenture, Inc.

Ref #	Part #	Description	Qty	Context Note
1	A08178	COVER-Engine	1	
2	82536	SCREW-Thread Form. (#8 x 3/4")	1	Torque specs. 20-30 In/Lbs, 2.3-3.4 Nm.
3	82541	SCREW-Thread Form. (#10 x 1/2")	1	Torque specs. 20-30 In/Lbs, 2.3-3.4 Nm.
4	82538	SCREW-Thread Form. (10-24 x 3/4")	3	Torque specs. 40-50 In/Lbs, 4.5-5.6 Nm. Red 262 Locktite Required
5	00959A	LEVER-Trigger	1	
6	A08454	FUEL TANK ASSEMBLY	1	
7	DA00099A	CAP-Fuel	1	
8	0143921	TUBING-Rubber (5 1/2")	1	
9	98268	CLAMP-Wire	1	
10	49422	FILTER-Fuel	1	
11	01327	FITTING	A/ R	As Required
12	9477225	TUBING-Rubber (6 1/4")	1	
13	00927A	SPACER-Fuel Tank	1	
14	A04820A	CRANKCASE COVER	1	
15	00946	GASKET-Crankcase	1	
16	A08217	SHORT BLOCK	1	
17	A08479	PISTON & ROD	1	
18	08476	RING-Piston	1	
19	A08211	CYLINDER & MUFFLER ASSEMBLY	1	
20	08159	GASKET-Cylinder	1	
21	00921	SCREEN-Spark Arrestor	1	
22	00920	BAFFLE-Muffler	1	
23	00931	SPACER-Muffler	1	
24	A01838	COVER-Muffler	1	
25	82540	SCREW-Thread Form. (8-32 x 1")	1	Torque specs. 30-40 In/Lbs, 3.4-4.5 Nm.
26	01971	SPACER	1	
27	69250	KEY-Woodruff	1	
28	82568	SCREW-Machine (10-24 x 3/4")	2	Torque specs. 45-55 In/Lbs, 5.1-6.2 Nm.
29	00932B	GASKET-Heat Dam	1	
30	81208	NUT-Hex (10-24)	2	
31	00917C	HEAT DAM	1	
32	A08212	CARBURETOR KIT	1	
33	98766A	GASKET-Carburetor	1	
34	825491	SCREW-Thread Form. (10-24 x 1")	2	Torque specs. 55-65 In/Lbs, 6.2-7.3 Nm.

HT21i Hedge Trimmer UT-18016-G - Handles - Gearbox - Blade

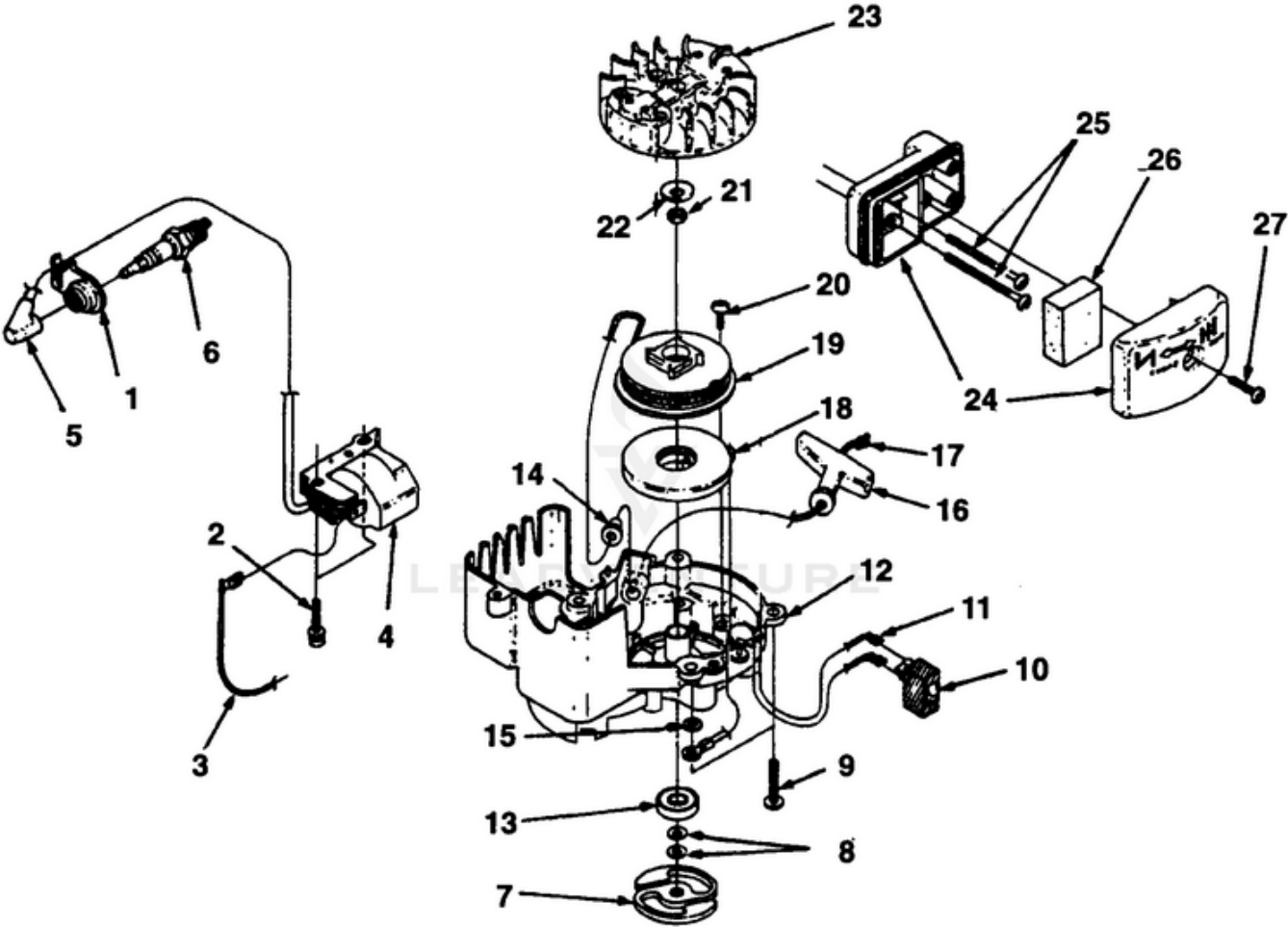


Rendered by LeadVenture, Inc.

Ref #	Part #	Description	Qty	Context Note
1	01972	GUARD-Hand		
2	02745	DECAL-Caution	1	
	02916A	DECAL-Warning	1	
3	00936A	HANDLE-Front	1	
4	95249	WASHER-Flat (10-24)	2	
5	82538	SCREW-Thread Form. (10-24 x 3/4)	2	Torque Specs. 30-40 In/Lbs, 3.4-4.5 Nm; Red 262 Locktite Required
6	01007	BASE-Vibration Isolator	1	
7	82536	SCREW-Thread Form. (#8 x 3/4")	7	Torque Specs. 20-30 In/Lbs, 2.3-3.4 Nm
8	A09232	HANDLE Assembly	1	
9	A00942	LEAD-Electrical	1	
10	A00943	LEAD-Ground	1	
11	02497	SWITCH	1	
12	08918	TRIGGER	1	
13	08920	SPRING	1	
14	08919	BUTTON-Lock	1	
15	00959A	LEVER, Trigger	1	
16	82541	SCREW-Thread Form. (#10 x 1/2")	1	Torque Specs. 15-25 In/Lbs, 1.7-2.9 Nm
17	01973	CABLE-Throttle	1	
18	81208	NUT-Hex (10-24)	2	
19	01009	SPRING-Compression	6	
20	A01526A	GEAR BOX ASSEMBLY	1	
	UP00037	GEAR BOX BASE ASSEMBLY	1	
21	98843	BEARING-Ball	2	
22	A01313	PINION & SCREW ASSEMBLY	1	
23	82541	SCREW-Thread Form. (#10 x 1/2")	1	Torque Specs. 20-30 In/Lbs, 2.3-3.4 Nm
24	A01312	GEAR & PIN ASSEMBLY	1	
25	00955	BUSHING	1	
26	00935	BLADE-Seal	1	
27	00949B	DRUM-Clutch	1	
28	00954	COVER-Gear Box	1	
29	82537	SCREW-Thread Form. (#10 x 7/8")	4	Torque Specs. 30-40 In/Lbs, 3.4-4.5 Nm
30	07487	WASHER	1	
31	07210	BLADE ASSY. (17")	1	

Ref #	Part #	Description	Qty	Context Note
	A01841A	BLADE ASSY. (21")	1	
32	01013	BRACE	1	
33	08924	BRAKE	1	
34	08923	SPRING-Torsion	1	
35	A08928	BRAKE ARM	1	
36	09153	PUSH NUT	1	
37	0892201	GUARD-Blade (17")	1	
	0892202	GUARD-Blade (21")	1	

HT21i Hedge Trimmer UT-18016-G - Ignition -Starter - Clutch - Air Filter



Rendered by LeadVenture, Inc.

Ref #	Part #	Description	Qty	Context Note
1	01010A	SHIELD-Spark Plug	1	
2	82540	SCREW-Thread Form. (8-32 x 1")	2	Torque Specs. 30-40 In/Lbs, 3.4-4.5 Nm
3	A00942	LEAD-Electrical	1	
	A04446	IGNITION KIT	1	
4	94711CS	MODULE-Ignition	1	
5	A02597	SPARK PLUG BOOT KIT	1	
6	79252	SPARK PLUG (RDY-7Y)	1	Torque Specs. 120-180 In/Lbs, 13.6-20.3 Nm
7	035881	CLUTCH "S"	1	
8	70788	WASHER-Belleville	2	
9	82538	SCREW-Taptite (10-24 x 3/4")	4	Torque Specs. 40-50 In/Lbs, 4.5-5.6 Nm; Red 262 Loctite Required
10	00941	SWITCH	1	
11	02497	SWITCH	1	(HT171, HT19I, HT211)
11	A00943	LEAD-Ground	1	
12	A08183A	HOUSING-Engine & Pulley	1	
13	98843	BEARING-Ball	1	
14	969811A	BUSHING-Starter	1	
15	84003	WASHER-Flat (#10)	1	
16	06598A	GRIP-Starter Rope	1	
17	9789902	ROPE-Starter (42")	1	
18	A97908	SPRING & CONTAINER	1	
19	00924	PULLEY-Starter	1	
20	82541	SCREW-Thread Form. (#10 x 1/2")	2	Torque Specs. 20-30 In/Lbs, 2.3-3.4 Nm
21	81191	NUT-Hex (7/16-20)	1	Torque Specs. 180-200 In/Lbs, 20.3-22.3 Nm
22	01325	WASHER-Conical	1	
23	A01015A	ROTOR	1	
24	A00335A	AIR FILTER HOUSING	1	
25	82542	SCREW-Machine (10-24 x 2 1/4")	2	Torque Specs. 30-40 In/Lbs, 3.4-4.5 Nm
26	00934	FILTER-Air	1	
27	82368	SCREW-Thread Form. (#8 x .750)	1	Torque Specs. 20-30 In/Lbs, 2.3-3.4 Nm