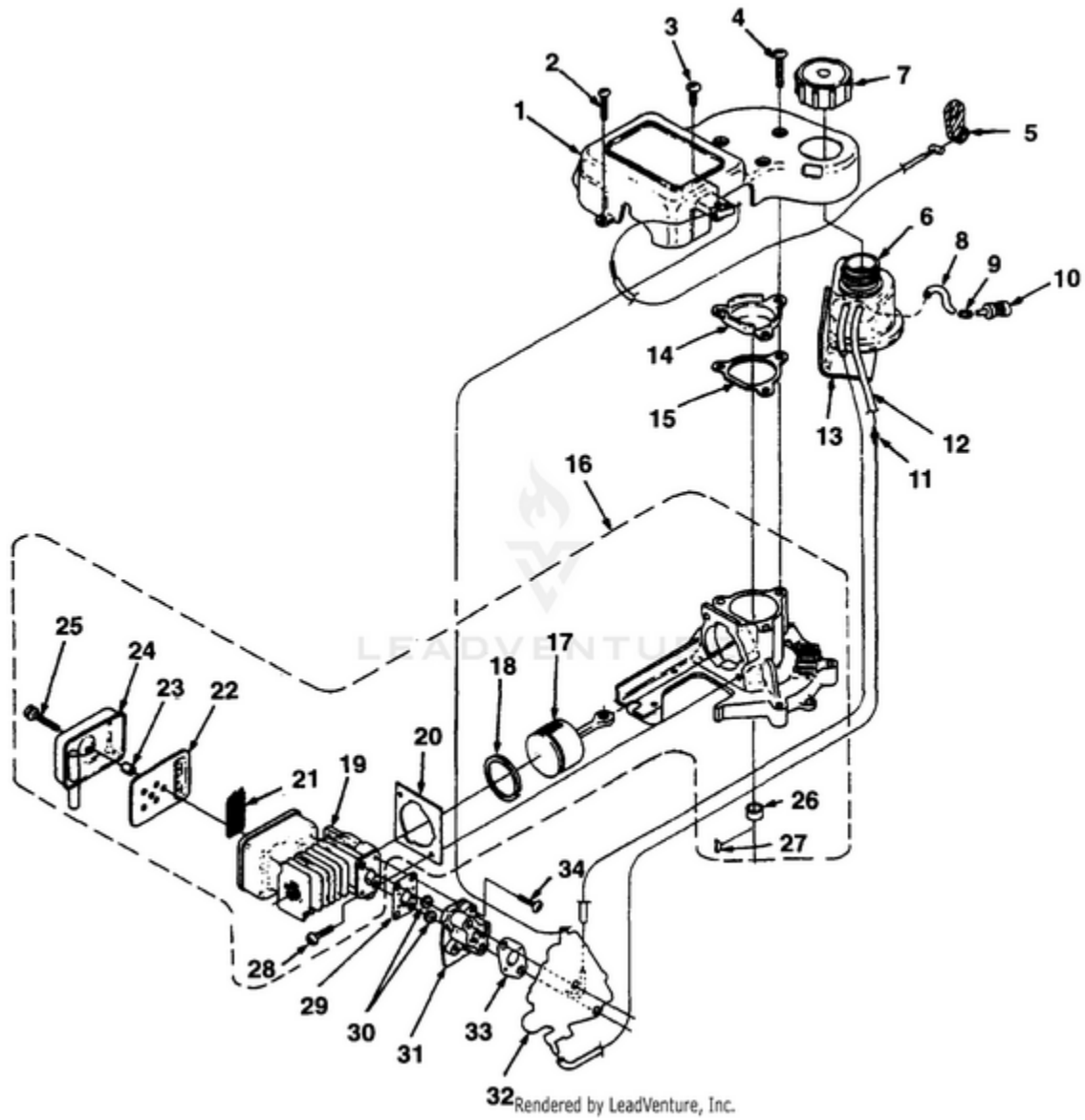


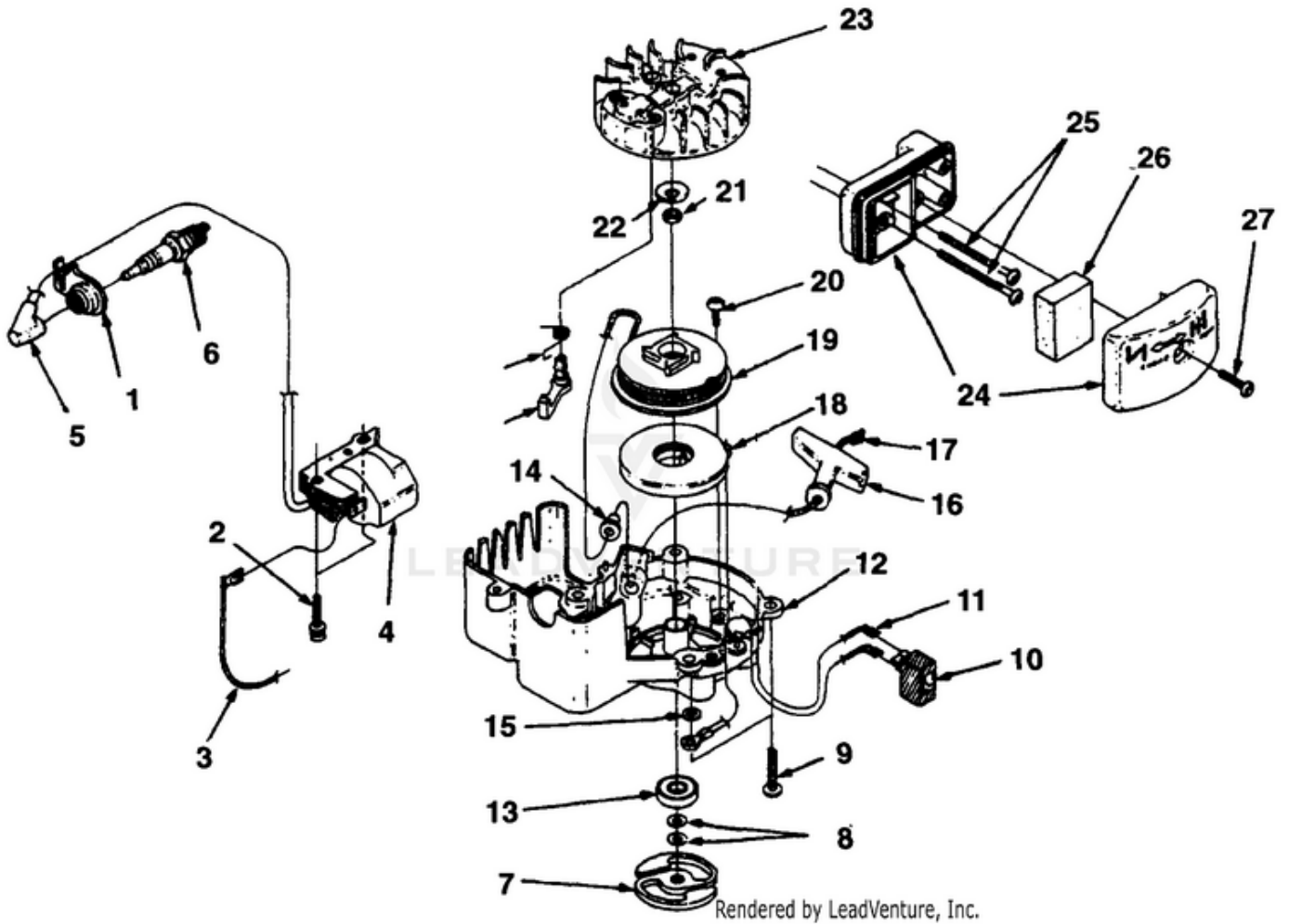
HT17 Hedge Trimmer UT-18007-D - Figure A



| Ref # | Part #   | Description                          | Qty     | Context Note   |
|-------|----------|--------------------------------------|---------|--|
| 1     | A08178   | COVER-Engine                         | 1       |  |
| 2     | 82536    | SCREW-Thread Form.<br>(#8 X 3/4")    | 2       |  |
| 3     | 82541    | SCREW-Thread Form.<br>(#10 X 1/2")   | 1       |  |
| 4     | 82538    | SCREW-Thread Form.<br>(10-24 X 3/4") | 3       |  |
| 5     | 00959    | LEVER-Trigger                        | 1       |  |
| 6     | A08454   | FUEL TANK<br>ASSEMBLY                | 1       |  |
| 7     | DA00099A | CAP-Fuel                             | 1       |  |
| 8     | 0143921  | TUBING-Rubber (5 1/2")               | 1       |  |
| 9     | 98268    | CLAMP-Wire                           | 1       |  |
| 10    | 49422    | FILTER-Fuel                          | 1       |  |
| 11    | 01327    | FITTING                              | A/<br>R |  |
| 12    | 9477225  | TUBING-Rubber (6 1/4")               | 1       |  |
| 13    | 00927A   | SPACER-Fuel Tank                     | 1       |  |
| 14    | A04820A  | CRANKCASE COVER                      | 1       |  |
| 15    | 00946    | GASKET-Crankcase                     | 1       |  |
| 16    | A08217   | SHORT BLOCK                          | 1       | When ordering a short block for<br>UT18007-D you must order items #4, 15,<br>& 16. |
| 17    | A08479   | PISTON & ROD                         | 1       |  |
| 18    | 08476    | RING-Piston                          | 1       |  |
| 19    | A08211   | CYLINDER &<br>MUFFLER ASSEMBLY       | 1       |  |
| 20    | 08159    | GASKET-Cylinder                      | 1       |  |
| 21    | 00921    | SCREEN-Spark Arrestor                | 1       |  |
| 22    | 00920    | BAFFLE Muffler                       | 1       |  |
| 23    | 00931    | SPACER-Muffler                       | 1       |  |
| 24    | A01838   | COVER-Muffler                        | 1       |  |
| 25    | 82540    | SCREW-Thread Form.<br>(8-32 X 1")    | 3       |  |
| 26    | 01971    | SPACER                               | 1       |  |
| 27    | 69250    | KEY-Woodruff                         | 1       |  |
| 28    | 82568    | SCREW-Machine (10-24<br>X 3/4")      | 2       |  |
| 29    | 00932B   | GASKET-Heat Dam                      | 1       |  |
| 30    | 81208    | NUT-Hex (10-24)                      | 2       |  |
| 31    | 00917B   | HEAT DAM                             | 1       |  |
| 32    | A08212   | CARBURETOR KIT                       | 1       |  |
| 33    | 98766A   | GASKET-Carburetor                    | 1       |  |

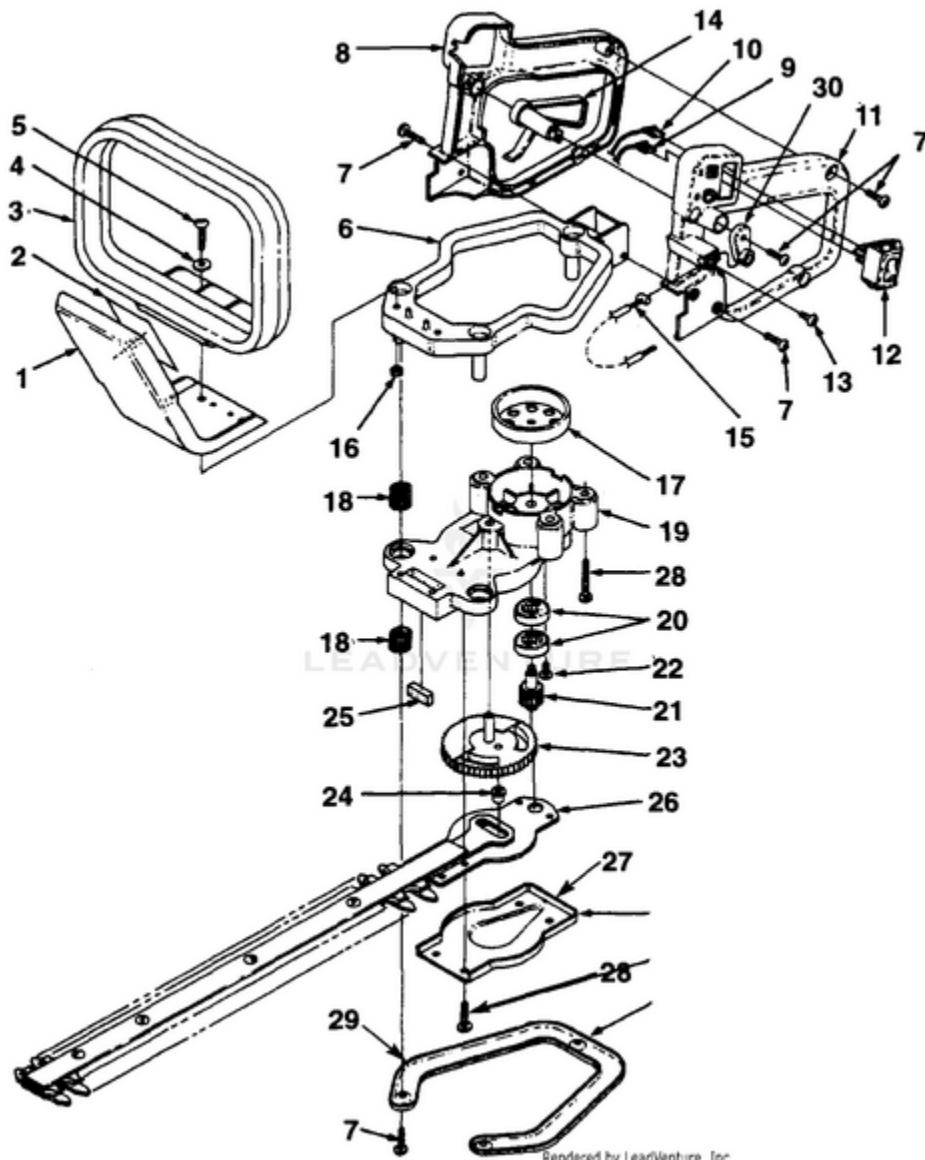
| <b>Ref #</b> | <b>Part #</b> | <b>Description</b>                 | <b>Qty</b> | <b>Context Note</b> |
|--------------|---------------|------------------------------------|------------|---------------------|
| 34           | 825491        | SCREW-Thread Form.<br>(10-24 X 1") | 2          |                     |

HT17 Hedge Trimmer UT-18007-D - Figure B



| Ref # | Part #  | Description                               | Qty | Context | Note |
|-------|---------|---|-----|---------|------|
| 1     | 01010A  | SHIELD-Spark Plug                         | 1   |         |      |
| 2     | 82540   | SCREW-Thread Form. (8-32 X 1")            | 2   |         |      |
| 3     | A00942  | LEAD-Electrical                           | 1   |         |      |
|       | A04446  | IGNITION KIT                              | 1   |         |      |
| 4     | 94711CS | MODULE-Ignition                           | 1   |         |      |
| 5     | A02597  | SPARK PLUG BOOT KIT                       | 1   |         |      |
| 6     | 96169S  | SPARK PLUG (DJ-7Y)                        | 1   |         |      |
| 6     | 79252   | SPARK PLUG (RDY-7Y) (HT17I, HT19I, HT21I) | 1   |         |      |
| 7     | 035881  | CLUTCH "S"                                | 1   |         |      |
| 8     | 70788   | WASHER-Belleville                         | 2   |         |      |
| 9     | 82538   | SCREW-Taptite (10-24 X 3/4")              | 4   |         |      |
| 10    | 00941   | SWITCH                                    | 1   |         |      |
| 11    | 02497   | SWITCH (HT17I, HT19I, HT21I)              | 1   |         |      |
| 11    | A00943  | LEAD-Ground                               | 1   |         |      |
| 12    | A08183  | HOUSING-Engine & Pulley                   | 1   |         |      |
| 13    | 98843   | BEARING-Ball                              | 1   |         |      |
| 14    | 969811A | BUSHING-Starter                           | 1   |         |      |
| 15    | 84003   | WASHER-Flat (#10)                         | 1   |         |      |
| 16    | 02264   | GRIP-Starter Rope                         | 1   |         |      |
| 17    | 9789902 | ROPE-Starter (42")                        | 1   |         |      |
| 18    | A97908  | SPRING & CONTAINER                        | 1   |         |      |
| 19    | 00924   | PULLEY-Starter                            | 1   |         |      |
| 20    | 82541   | SCREW-Thread Form. (#10 X 1/2")           | 2   |         |      |
| 21    | 81191   | NUT-Hex (7/16-20)                         | 1   |         |      |
| 22    | 01325   | WASHER-Conical                            | 1   |         |      |
| 23    | A01015A | ROTOR                                     | 1   |         |      |
| 24    | A00335A | AIR FILTER HOUSING                        | 1   |         |      |
| 25    | 82542   | SCREW-Machine (10-24 X 2 1/4")            | 2   |         |      |
| 26    | 00934   | FILTER-Air                                | 1   |         |      |
| 27    | 82368   | SCREW-Thread Form. (#8 X .750)            | 1   |         |      |

HT17 Hedge Trimmer UT-18007-D - Figure C



Rendered by LeadVenture, Inc.

| <b>Ref #</b> | <b>Part #</b> | <b>Description</b>                           | <b>Qty</b> | <b>Context</b> | <b>Note</b> |
|--------------|---------------|--|------------|----------------|-------------|
| 1            | 00937         | GUARD-Hand (HX16, HT17, HT19)                | 1          |                |             |
|              | 01972         | GUARD-Hand (HT21, HT17I, HT19I, HT21I, HT22) | 1          |                |             |
| 2            | 02745         | DECAL-Caution                                | 1          |                |             |
|              | 02916A        | DECAL-Warning (HT17I, HT19I, HT21I)          | 1          |                |             |
| 3            | 00936A        | HANDLE-Front                                 | 1          |                |             |
| 4            | 95249         | WASHER-Flat (10-24)                          | 2          |                |             |
| 5            | 82538         | SCREW-Thread Form. (10-24 X 3/4")            | 2          |                |             |
| 6            | 01007         | BASE-Vibration Isolator                      | 1          |                |             |
| 7            | 82536         | SCREW-Thread Form. (#8 X 3/4")               | 7          |                |             |
| 8            | 00938         | HANDLE-Rear (Right)                          | 1          |                |             |
| 9            | A00942        | LEAD-Electrical                              | 1          |                |             |
| 10           | A00943        | LEAD-Ground                                  | 1          |                |             |
| 11           | 00939         | HANDLE-Rear (Left)                           | 1          |                |             |
| 12           | 00941         | SWITCH                                       | 1          |                |             |
| 13           | 82541         | SCREW-Thread Form. (#10 X 1/2")              | 1          |                |             |
| 14           | 00958A        | TRIGGER                                      | 1          |                |             |
| 15           | 01973         | CABLE-Throttle                               | 1          |                |             |
| 16           | 81208         | NUT-Hex (10-24)                              | 2          |                |             |
| 17           | 00949B        | DRUM-Clutch                                  | 1          |                |             |
| 18           | 01009         | SPRING-Compression                           | 6          |                |             |
| 19           | A01526        | GEAR BOX ASSEMBLY                            | 1          |                |             |
| 20           | 98843         | BEARING-Ball                                 | 2          |                |             |
| 21           | A01313        | PINION & SCREW ASSEMBLY                      | 1          |                |             |
| 22           | 82541         | SCREW-Thread Form. (#10 X 1/2")              | 1          |                |             |
| 23           | A01312        | GEAR & PIN ASSEMBLY                          | 1          |                |             |
| 24           | 00955         | BUSHING                                      | 1          |                |             |
| 25           | 00935         | BLADE-Seal                                   | 1          |                |             |
| 26           | 07210         | BLADE ASSY. (17")                            | 1          |                |             |
|              | 07211         | BLADE ASSY. (19")                            | 1          |                |             |
|              | 04898         | BLADE ASSY. (22")                            | 1          |                |             |
|              | A01841A       | BLADE ASSY. (21")                            | 1          |                |             |
| 27           | 00954         | COVER-Gear Box                               | 1          |                |             |
| 28           | 82537         | SCREW-Thread Form. (#10 X 7/8")              | 4          |                |             |
| 29           | 01013         | BRACE  | 1          |                |             |
| 30           | 00959         | LEVER-Trigger                                | 1          |                |             |
| 31           | 07487         | WASHER                                       | 1          |                |             |