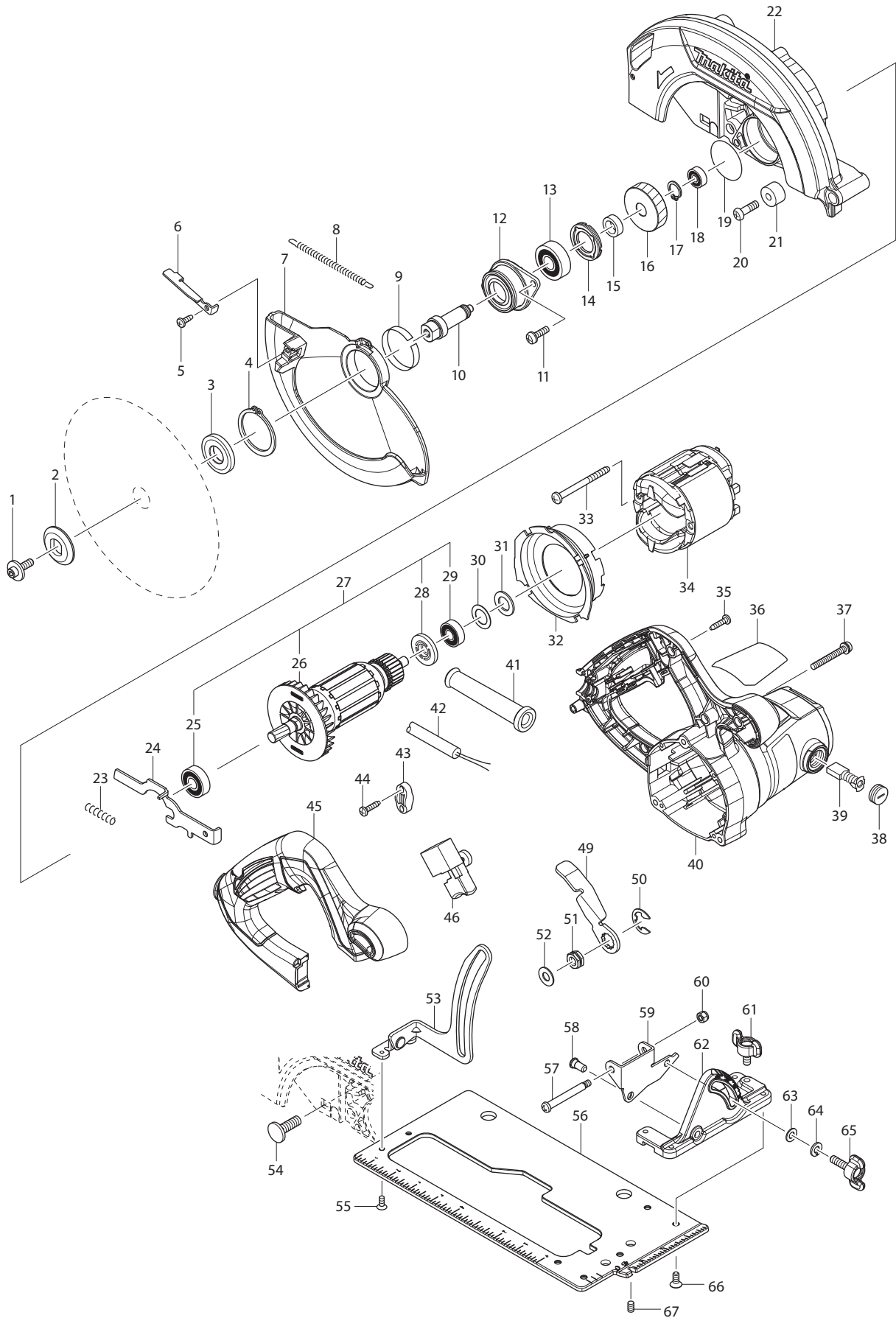




09 - 2014

HS7600

7-1/4" CIRCULAR SAW



Item Nc	Type	Ref	Part No.	Description	Qty	Unit
1			266024-8	HEX. SOCKET HEAD BOLT M6X20	1	PC.
2			224409-4	OUTER FLANGE 35	1	PC.
3			224411-7	INNER FLANGE 35	1	PC.
4			961155-5	RETAINING RING S-38	1	PC.
5			266398-7	TAPPING SCREW BIND CT 4X12	1	PC.
6			345931-9	LEVER PLATE	1	PC.
7			319188-8	SAFETY COVER	1	PC.
8			231887-1	TENSION SPRING 4	1	PC.
9			345391-5	THICKNESS RING	1	PC.
10			326444-9	SPINDLE	1	PC.
11			911226-8	PAN HEAD SCREW M5X18	2	PC.
12			319088-2	BEARING BOX	1	PC.
13			211129-9	BALL BEARING 6201DDW	1	PC.
14			285852-2	BEARING RETAINER 19-33	1	PC.
15			257173-2	RING 12	1	PC.
16			227793-6	HELICAL GEAR 38	1	PC.
17			961052-5	RETAINING RING S-12	1	PC.
18			210028-2	BALL BEARING 606ZZ	1	PC.
19			213512-6	O RING 39	1	PC.
20			265117-8	+PAN HEAD SCREW M6X20	1	PC.
21			262556-3	RUBBER SLEEVE 6	1	PC.
22			142796-8	BLADE CASE COMPLETE	1	PC.
	1	INC. TP 1	213445-5	O RING 26	1	PC.
	2	INC. TP 2	213821-3	O RING	1	PC.
23			233117-6	COMPRESSION SPRING 6	1	PC.
24			345317-7	SHAFT LOCK	1	PC.
25			210059-1	BALL BEARING 6000DDW	1	PC.
26			240064-4	FAN 70	1	PC.
27			513906-8	ARMATURE ASS'Y 115V	1	PC.
		INC.		Item No. 25,26,28,29		
28			681644-1	INSULATION WASHER	1	PC.
29			210005-4	BALL BEARING 608DDW	1	PC.
30			253192-6	FLAT WASHER 14	1	PC.
31			261103-7	RUBBER WASHER 13	1	PC.
32			455354-4	BAFFLE PLATE	1	PC.
33			266329-6	TAPPING SCREW 5X60	2	PC.
34			594641-7	FIELD ASS'Y 115V	1	PC.
		INC.	654020-2	RING TERMINAL	2	PC.
		INC.	654501-6	CONNECTOR P-1.25	2	PC.
35			266326-2	TAPPING SCREW 4X18	5	PC.
36			850H04-8	NAME PLATE F/HS7600	1	PC.
37			265104-7	PAN HEAD SCREW M5X40	3	PC.
38			643750-0	BRUSH HOLDER CAP 7-11	2	PC.
39			194996-6	CARBON BRUSH CB-303 2PC/SET W/ORIGIN	1	SET
40			142797-6	MOTOR HOUSING COMPLETE	1	PC.
		INC.	643708-9	BRUSH HOLDER 5-11	2	PC.
		INC.	805B74-6	CAUTION LABEL	1	PC.
		INC.	805L14-4	CAUTION LABEL	1	PC.
41			682574-9	CORD GUARD 10-90	1	PC.
42			664265-4	CORD W/PLUG 2P-16-2.5M, SJ	1	PC.
43			687123-7	STRAIN RELIEF	1	PC.
44			266326-2	TAPPING SCREW 4X18	2	PC.
45			455353-6	HANDLE COVER	1	PC.
46			650254-5	SWITCH SGES115C-7	1	PC.
49			346311-2	LEVER PLATE	1	PC.
50			257953-6	BOW STOP RING E-12	1	PC.
51			252199-9	HEX. NUT M8-13	1	PC.

Item Nc	Type	Ref	Part No.	Description	Qty	Unit
52			941201-0	FLAT WASHER 8	1	PC.
53			163546-8	DEPTH GUIDE COMPLTE	1	PC.
54			266396-1	FLAT HEADSQUARE NECKBOLT M8X24	1	PC.
55			912107-9	COUNTERSUNK HEAD SCREW M4X8	2	PC.
56			346819-6	BASE	1	PC.
57			265118-6	+ PAN HEAD SCREW M5	1	PC.
58			256480-0	SHOULDER PIN 6-7	1	PC.
59			345368-0	ANGULAR GUIDE	1	PC.
60			252103-8	HEX. LOCK NUT M5-8	1	PC.
61			265765-3	THUMB SCREW M6X21	1	PC.
62			317031-5	ANGULAR PLATE	1	PC.
63			941151-9	FLAT WASHER 6	1	PC.
64			942151-2	SPRING WASHER 6	1	PC.
65			265765-3	THUMB SCREW M6X21	1	PC.
66			912212-2	COUNTERSUNK HEAD SCREW M5X12	5	PC.
67			266436-5	H.S.SET SCREW(FLAT POINT)M5X8	2	PC.
C01			876815-5	CARTON	1	PC.
C01A			876816-3	CARTON	1	PC.
D01			652008-6	PAN HEAD SCREW M3.5X7	2	PC.
D02			652257-5	CLAMP WASHER	2	PC.
D03			654037-5	INSULATED TERM. FT1.25-M3	2	PC.
D04			654509-0	CONNECTOR 2-SD	1	PC.
D05			654077-3	INSULATED TERMINAL FK2-M3D-5.5	1	PC.
<b><u>ACCESSORIES</u></b>			<b>See Catalogue or visit <a href="http://www.makita.ca">www.makita.ca</a> for more accessories -</b>			
A01			783217-7	HEX. WRENCH 5	1	PC.
A02			A-90009	7-1/4" CT BLADE 16T 5/8"	1	PC.
A02			-----	7-1/4" CT BLADE 16T 5/8"	1	PC.
A02			D-35352-10	7-1/4" CT BLADE 24T 5/8" 10PC/SET	1	PC.
A03			196843-7	DUST NOZZLE SET	1	PC.
A04			164095-8	GUIDE RULE	1	PC.