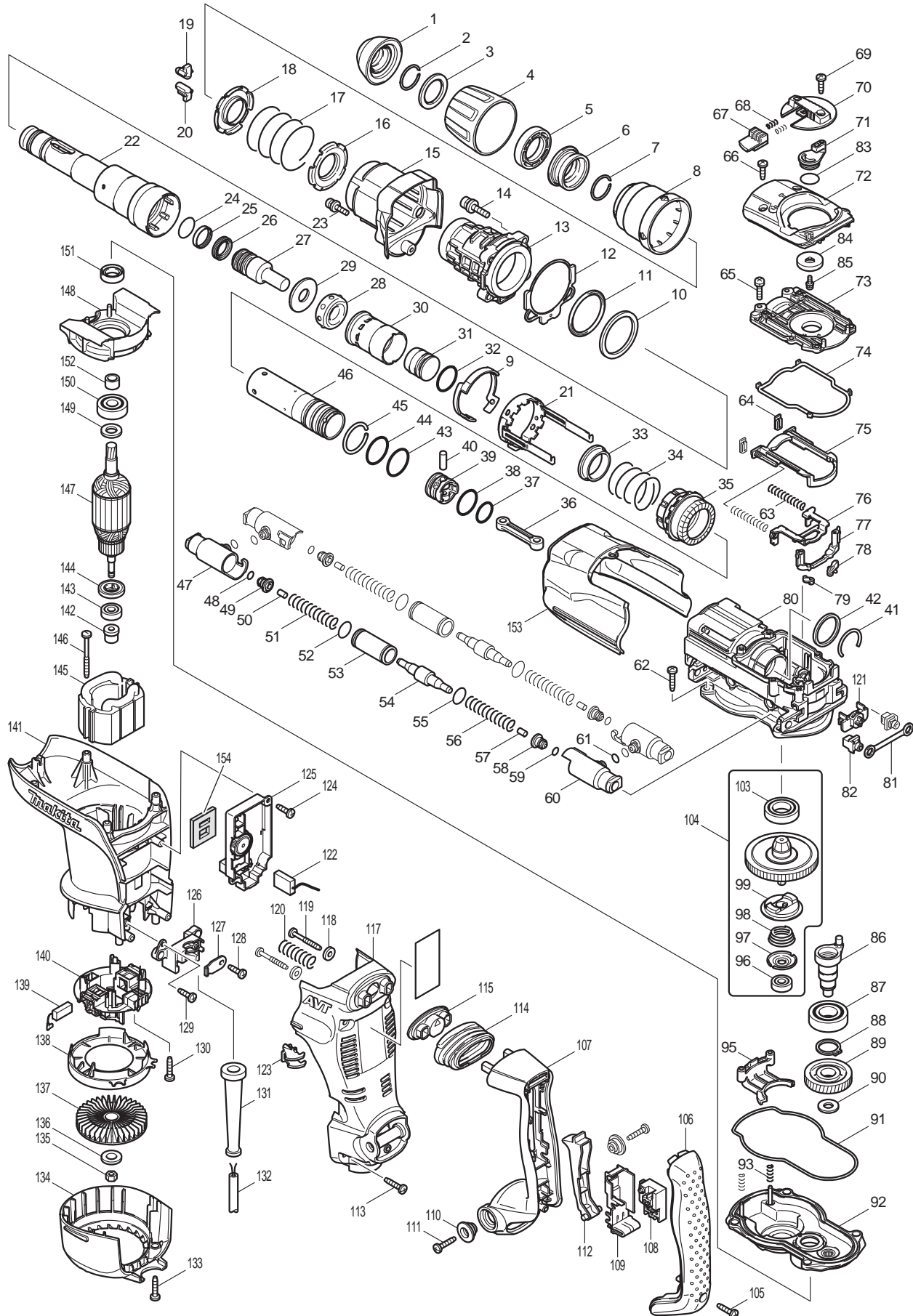




09-2010
HR4011C
SDS-MAX 1-9/16" ROTARY HAMMER



Item No	Type	Ref	Ref Part No	Description	Qty	Unit
1	1		286272-3	* TOOL HOLDER CAP	1	PC.
	2		286285-4	* TOOL HOLDER CAP	1	PC.
2			231984-3	RING SPRING 25	1	PC.
3			267272-2	FLAT WASHER 28	1	PC.
4			419015-0	CHUCK COVER	1	PC.
5			419002-9	SPACER	1	PC.
6			324548-1	CHUCK RING	1	PC.
7			231984-3	RING SPRING 25	1	PC.
8			419016-8	RELEASE COVER	1	PC.
9	1		419017-6	* LOCK SLEEVE GUIDE	1	PC.
	2		419760-7	* LOCK SLEEVE GUIDE	1	PC.
10	1		267298-4	* FLAT WASHER 45	1	PC.
	2		267336-2	* FLAT WASHER 45	1	PC.
11			262116-1	URETHAN RING 45	1	PC.
12			421911-0	SEAL SHEET	1	PC.
13			154621-1	BARREL COMPLETE	1	PC.
14			922353-6	HEX.SOCKET HEAD BOLT M6X30	4	PC.
15			154624-5	BARREL COVER COMPLETE	1	PC.
16			345579-7	SPRING GUIDE	1	PC.
17			233431-0	COMPRESSION SPRING 48	1	PC.
18			345579-7	SPRING GUIDE	1	PC.
19			310161-1	TOOL RETAINER	1	PC.
20			310161-1	TOOL RETAINER	1	PC.
21	1		165446-8	* LOCK SLEEVE - N/L/A	1	PC.
	2		165633-9	* LOCK SLEEVE	1	PC.
22			324542-3	TOOL HOLDER	1	PC.
23	1		922128-3	* HEX. SOCKET HEAD BOLT M4X16	1	PC.
	2		266437-3	* HEX. SOCKET HEAD BOLT M4X16	1	PC.
24			213317-4	O RING 20	1	PC.
25			213392-0	FLUORIDE RING 25	1	PC.
26			213281-9	X-RING 18	1	PC.
27			324569-3	IMPACT BOLT	1	PC.
28			421901-3	RUBBER RING 17	1	PC.
29			324573-2	RING 17	1	PC.
30			419003-7	SLIDE SLEEVE	1	PC.
31			324571-6	STRIKER	1	PC.
32			213962-5	O RING 22	1	PC.
33			331709-6	RING 33	1	PC.
34			233448-3	COMPRESSION SPRING 37	1	PC.
35	1		227486-5	STRAIGHT BEVEL GEAR 25 - N/L/A	1	PC.
	2		227509-9	STRAIGHT BEVEL GEAR 25	1	PC.
36			419005-3	CONNECTING ROD	1	PC.
37			213379-2	O RING 21	1	PC.
38			213962-5	O RING 22	1	PC.
39			419004-5	PISTON	1	PC.
40			256197-5	PIN 7	1	PC.
41			233937-8	RING SPRING 31	1	PC.
42			257268-1	RING 33	1	PC.
43			213406-5	O RING 30	1	PC.
44			213406-5	O RING 30	1	PC.
45			233935-2	RING SPRING 32	1	PC.
46			324570-8	CYLINDER 28.5	1	PC.
47			317923-8	PIPE HOLDER	2	PC.

Item No	Type	Ref	Ref Part No	Description	Qty	Unit
48			213030-4	O RING 8	2	PC.
49			419011-8	SPRING GUIDE	2	PC.
50			263005-3	RUBBER PIN 6	2	PC.
51			233435-2	COMPRESSION SPRING 11	2	PC.
52			213275-4	O RING 18	2	PC.
53			324572-4	PIPE 16	2	PC.
54			324574-0	* COUNTER WEIGHT	2	PC.
55			213275-4	O RING 18	2	PC.
56			233435-2	COMPRESSION SPRING 11	2	PC.
57			263005-3	RUBBER PIN 6	2	PC.
58			419011-8	SPRING GUIDE	2	PC.
59			213030-4	O RING 8	2	PC.
60			317923-8	PIPE HOLDER	2	PC.
61			213030-4	O RING 8	4	PC.
62			266041-8	TAPPING SCREW 5X25	4	PC.
63			233432-8	COMPRESSION SPRING 7	2	PC.
64			421910-2	SEAL PLATE	2	PC.
65			911133-5	PAN HEAD SCREW M4X18	6	PC.
66			266192-7	TAPPING SCREW 4X14	2	PC.
67			419009-5	LOCK BUTTON	1	PC.
68			233436-0	COMPRESSION SPRING 3	2	PC.
69			266192-7	TAPPING SCREW 4X14	1	PC.
70			419020-7	CHANGE LEVER	1	PC.
71			419007-9	CRANK LEVER	1	PC.
72			317924-6	CRANK CAP COVER	1	PC.
73			419030-4	CRANK CAP	1	PC.
74			421908-9	SEAL RING	1	PC.
75			419019-2	LINK PLATE GUIDE	1	PC.
76			345582-8	LINK PLATE	1	PC.
77			419012-6	AIR PIPE	1	PC.
78			421909-7	AIR PIPE SEAL	1	PC.
79			421909-7	AIR PIPE SEAL	1	PC.
80			154622-9	CRANKHOUSING COMPLETE	1	PC.
		INC.	214656-5	PLANE BEARING 51	1	PC.
		INC.	324568-5	RING 40	1	PC.
81			423345-3	CUSHION PLATE	1	PC.
82			419008-7	FIX GUIDE	2	PC.
83			213262-3	O RING 18	1	PC.
84			419006-1	LINK LEVER	1	PC.
85			911511-9	PAN HEAD SCREW M4X10	1	PC.
86			324550-4	CRANK SHAFT	1	PC.
87			211332-2	BALL BEARING 6004LLU	1	PC.
88			961060-6	RETAINING RING S-20	1	PC.
89			226605-0	HELICAL GEAR 38	1	PC.
90			253180-3	FLAT WASHER 10	1	PC.
91			421907-1	SEAL RING	1	PC.
92			154623-7	GEAR HOUSING COMPLETE	1	PC.
		INC.	212075-9	NEEDLE ROLLER BEARING 1010	1	PC.
		INC.	268136-3	PIN 4	2	PC.
93			233433-6	COMPRESSION SPRING 5	2	PC.
95			419018-4	CHANGE PLATE	1	PC.
96			210005-4	BALL BEARING 608DDW	1	PC.
97			345581-0	CUP WASHER 8	1	PC.

Item No	Type	Ref	Ref Part No	Description	Qty	Unit
98			233936-0	CONICAL COMPRESSIONSPRING19-27	1	PC.
99			324549-9	DRIVING FLANGE	1	PC.
103			211323-3	BALL BEARING 6904LLU	1	PC.
104	1		135086-6	TORQUE LIMITER ASS'Y (USE W/ 267452-6)	1	PC.
		INC.		Item No. 96-103		
	2		135508-6	TORQUE LIMITER ASS'Y	1	PC.
		INC.	267456-2	THIN WASHER 38	1	PC.
		INC.		Item No. 96-103		
105			265995-6	TAPPING SCREW 4X18	1	PC.
106			419036-2	HANDLE COVER	1	PC.
107			419038-8	HANDLE	1	PC.
108	1		650567-4	SWITCH TG73B-1	1	PC.
	2		650676-9	SWITCH TG73B-1	1	PC.
109			154626-1	SWITCH HOLDER COMPLETE	1	PC.
		INC.	423344-5	SPONGE SEAT	1	PC.
110			313124-6	SHOULDER SLEEVE 6	2	PC.
111			266041-8	TAPPING SCREW 5X25	2	PC.
112			419025-7	SWITCH LEVER	1	PC.
113			266041-8	TAPPING SCREW 5X25	4	PC.
114			421912-8	DUST COVER	1	PC.
115			419014-2	DUST COVER SUPPORT	1	PC.
117			419037-0	HANDLE BASE	1	PC.
118			267066-5	FLAT WASHER 5	2	PC.
119			266211-9	TAPPING SCREW 5X40	2	PC.
120			233434-4	COMPRESSION SPRING 11	1	PC.
121			419013-4	SPRING GUIDE	1	PC.
122			638406-8	LEAD UNIT	1	PC.
123			419010-0	LENS	1	PC.
124	1		266192-7	* TAPPING SCREW 4X14	1	PC.
	2		266901-4	* TAPPING SCREW 4X14	1	PC.
125			631656-4	CONTROLLER	1	PC.
126			419024-9	CORD CLAMP BASE	1	PC.
127			687169-3	STRAIN RELIEF	1	PC.
128			266192-7	TAPPING SCREW 4X14	1	PC.
129	1		266192-7	* TAPPING SCREW 4X14	1	PC.
	2		266901-4	* TAPPING SCREW 4X14	1	PC.
130			265995-6	TAPPING SCREW 4X18	4	PC.
131			682560-0	CORD GUARD 10	1	PC.
132			664276-9	CORD W/PLUG 2P-16-5.0M, SJ	1	PC.
133			265995-6	TAPPING SCREW 4X18	2	PC.
134			419032-0	REAR COVER	1	PC.
135			931303-0	HEX. NUT M6	1	PC.
136			253047-5	FLAT WASHER 6	1	PC.
137			241876-8	FAN 76	1	PC.
138			419022-3	FAN GUIDE	1	PC.
139	1		194160-9	CARBON BRUSH CB-350 2PC/SET (W/O ORIGIN)- N/L/A	1	PC.
	2		195004-6	CARBON BRUSH SET CB-350 2PC/SET (W/ ORIGIN)	1	SET
140	1		638393-1	BRUSH HOLDER UNIT	1	PC.
		INC.	643816-6	BRUSH HOLDER (Added)	2	PC.
		INC.	266007-8	TAPPING SCREW BIND PT 3X10	4	PC.
	2		638715-5	BRUSH HOLDER UNIT	1	PC.
141			154619-8	MOTOR HOUSING COMPLETE	1	PC.
		INC.	345650-7	WASHER PLATE (Added)	1	PC.

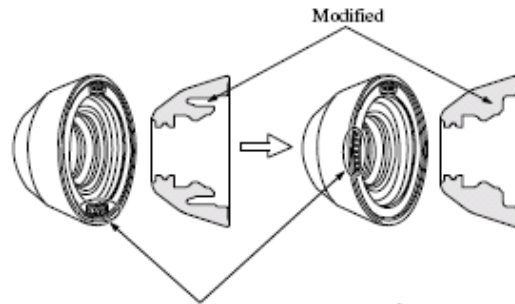
Item No	Type	Ref	Ref Part No	Description	Qty	Unit
142			324390-0	SHOULDER SLEEVE 6	1	PC.
143			210005-4	BALL BEARING 608DDW	1	PC.
144			681650-6	INSULATION WASHER	1	PC.
145	1		625736-6	FIELD 100-115V - N/L/A	1	PC.
	2		625756-0	FIELD 115V	1	PC.
146			266095-5	TAPPING SCREW 5X55	2	PC.
147			513631-1	ARMATURE ASS'Y 115V	1	PC.
		INC.		Item No. 143,144		
148			419021-5	BAFFLE PLATE	1	PC.
149			253084-9	FLAT WASHER 12	1	PC.
150			211137-0	BALL BEARING 6201LLU	1	PC.
151			213231-4	OIL SEAL 15	1	PC.
152			331596-3	SLEEVE 12	1	PC.
153			419033-8	CRANK HOUSING COVER	1	PC.
154			421939-8	* SPONGE SHEET (Added)	1	PC.
ACCESSORIES			- See catalogue or visit www.makita.ca for more optional accessory -			
A01			134890-0	SIDE HANDLE 68 ASS'Y, D-STYLE	1	PC.
		INC.	151769-0	SIDE HANDLE 68 COMPLETE	1	PC.
		INC.	252640-2	WING NUT M8	1	PC.
		INC.	265439-6	HEX. BOLT M8X150	1	PC.
		INC.	417002-3	SIDE HANDLE CAM	2	PC.
		INC.	417003-1	SIDE HANDLE	1	PC.
		INC.	931302-2	HEX. NUT M6	1	PC.
A02	2		135209-6	GRIP 36 ASS'Y (OLD# 134803-1 - N/L/A)	1	PC.
		INC.	158131-0	GRIP 36 COMPLETE	1	PC.
		INC.	265701-9	SCREW M6X14	1	PC.
		INC.	266163-4	CUP SQUARE NECK BOLT M8X80	1	PC.
		INC.	321248-4	DEPTH GAUGE	1	PC.
		INC.	344491-8	GRIP SPRING 68	1	PC.
		INC.	344492-6	PLATE	1	PC.
		INC.	416299-1	SIDE GRIP BASE 68	1	PC.
		INC.	931302-2	HEX. NUT M6	1	PC.
		INC.	416401-6	LATCH (TYPE1)	2	PC.
		INC.	163467-4	LATCH (TYPE2)	2	PC.
A03			154731-4	PLASTIC CARRYING CASE COMPLETE	1	PC.
A04	1		181573-3	GREASE VESSEL 93G	1	PC.
	2		194683-7	GREASE VESSEL SET	1	PC.
A05			443122-7	CLOTH	1	PC.
A06	2		195195-3	HAMMER SERVICE KIT (OLD# 188049-1)	1	PC.
		INC.	A-90582	MAKITA GREASE R NO.00 30CC (1OZ)	2	PC.
		INC.	194160-9	CARBON BRUSH CB-350 (Use 195004-6 for replacement)	1	PC.
		INC.	286285-4	TOOL HOLDER CAP (Item No.1)	1	PC.
		INC.	213317-4	O RING 20 (Item No. 24)	1	PC.
		INC.	213392-0	FLUORIDE RING 25 (Item No.25)	1	PC.
		INC.	213281-9	X RING 18 (Item No.26)	1	PC.
		INC.	213962-5	O RING 22 (Item NO.32)	2	PC.
A07			196074-8	SDS-MAX DUST EXTRACTION ATTACHMENT (See Parts breakdown 196074-8)	1	PC.

Item No	Type	Ref	Ref Part No	Description	Qty	Unit
A08			196571-4	DUST EXTRACTOR ATTACHMENT SET	1	PC.
	INC.		142350-8	HOSE COMPLETE 28 - 1.5	1	PC.
	INC.		417765-1	FRONT CUFF 22	1	PC.
	INC.		417766-9	FRONT CUFF 38	1	PC.
	INC.		415021-3	HOSE JOINT	1	PC.
	INC.		454749-8	HOSE HOLDER A	1	PC.
	INC.		454750-3	HOSE HOLDER B	1	PC.
	INC.		454809-6	HOSE HOLDER C	1	PC.
	INC.		-----	PLASTIC CASE LABEL (N/A Individually)	1	PC.
	INC.		-----	CARTON (Master) (N/A Individually)	1	PC.
	INC.		-----	Instruction Manual 30Language (N/A Individually)	1	PC.

SERVICE CHANGES

1. Changes on Tool Holder

Item No.	Description	Type 1	Type 2
1	TOOL HOLDER CAP	286272-3	286285-4

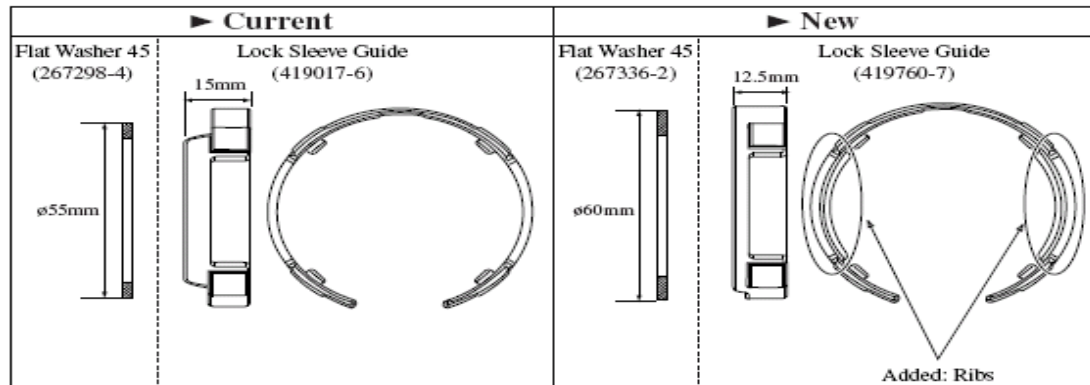


Part number: 286272-3 ⇒ 286285-4

2. Changes on Lock Sleeve Guide & Flat Washer

Item No.	Description	Type 1	Type 2
9	Lock Sleeve Guide	419017-6	419760-7
10	Flat Washer 45	267298-4	267336-2

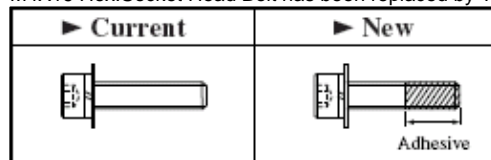
Above parts are completely interchangeable as a set.



3. Changes on H.S.H BOLT

Item No.	Description	Type 1	Type 2
23	H.S.H.BOLT	922128-3	266437-3

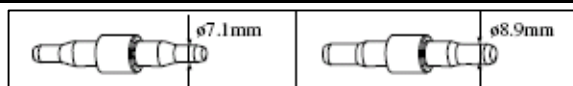
M4X16 Hex.Socket Head Bolt has been replaced by Threadlocker Type M4X16 Hex.Socket Head Bolt.



- Note: 1) Tighten the new M4x16 Hex. socket head bolt to 1.5 up to 2.5N.m. (15 up to 25kgf.cm).
 2) When reusing the M4x16 Hex. socket head bolt after removal from the machine, be sure to put the appropriate amount of adhesive as illustrated above.

4. Changes on Counter Weight

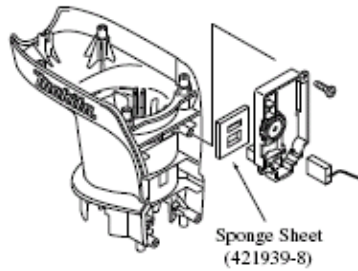
Item No.	Description	Type 1	Type 2
54	COUNTER WEIGHT	324806-5 (Part No. remains the same)	



SERVICE CHANGES

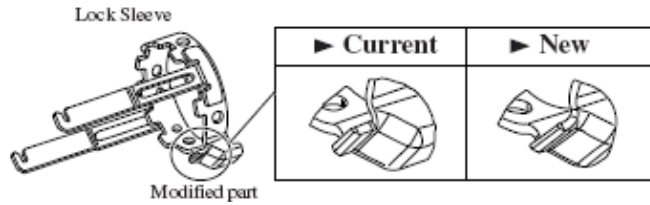
5. Changes on Sponge Sheet

Item No.	Description	Type 1	Type 2
154	SPONGE SHEET (Added)	-----	421939-8



6. Changes on Lock Sleeve

Item No.	Description	Type 1	Type 2
21	Lock Sleeve	165407-8	165446-8



7. Changes on Tapping Screws

Item No.	Description	Type 1	Type 2
124	TAPPING SCREW 4X14	266192-7	266901-4
129	TAPPING SCREW 4X14	266192-7	266901-4

Type 1

Type 2

<p>Tapping screw 4X14 (266192-7)</p>	<p>Tapping screw 4X14 (266901-4)</p>
--	--