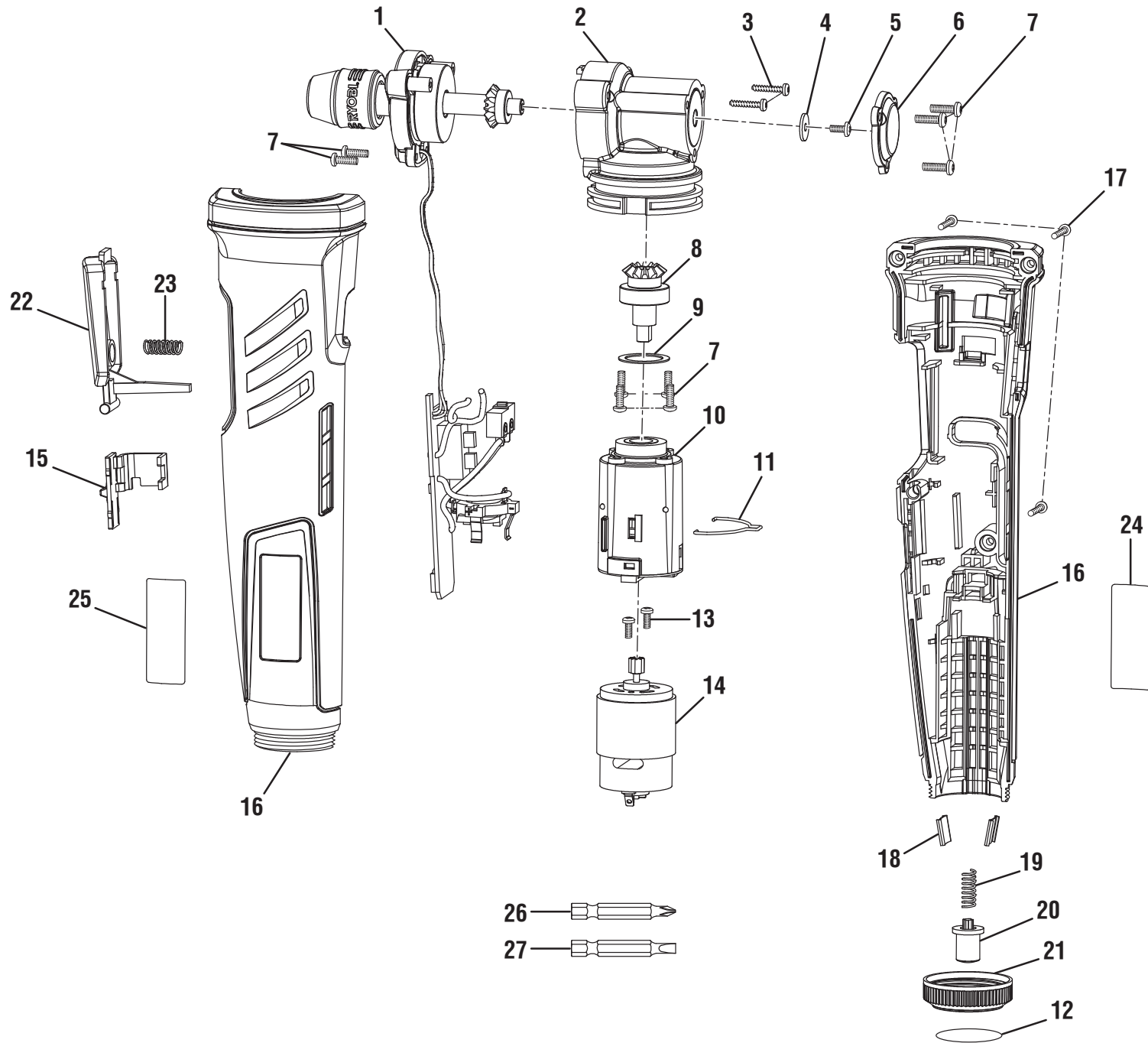


RYOBI 4 VOLT RIGHT ANGLE DRIVER – MODEL NUMBER HP64L



## RYOBI 4 VOLT RIGHT ANGLE DRIVER – MODEL NUMBER HP64L

The model number will be found on a label attached to the motor housing. Always mention the model number in all correspondence regarding your **DRIVER** or when ordering repair parts.

### PARTS LIST

KEY NO.	PART NUMBER	DESCRIPTION	QTY	KEY NO.	PART NUMBER	DESCRIPTION	QTY
1	202332001	Release Chuck & LED Assembly.....	1	17	661047002	Screw (M2.6 x 14 mm) .....	3
2	202331001	Bearing Assembly .....	1	18	633420001	Housing Clip.....	2
3	661047003	Screw (M2.6 x 10 mm) .....	2	19	692625001	Compression Spring.....	1
4	634424001	Washer (3.2ID x 10.5OD x 1t).....	1	20	520075001	Battery Ejector.....	1
5	660211046	Screw (M3 x 6 mm) .....	1	21	303962001	End Cap Assembly (Inc. Key No. 12) .....	1
6	525158001	Rear Cap .....	1	22	525196001	Switch Trigger.....	1
7	661205001	Screw (M2.6 x 6 mm) .....	9	23	692626001	Compression Spring.....	1
8	202330001	Bevel Gear and Shaft Assembly.....	1	24	941121026	Data Label .....	1
9	634570001	Washer (14.5ID x 19.5OD x 0.5t).....	1	25	940114179	Logo Label.....	1
10	202398001	Gear Box Assembly.....	1	26	670802041	Bit (#2 Phillips).....	1
11	681398001	Speed Lever .....	1	27	670802042	Bit (#6 Slotted).....	1
12	940304815	Logo Label (End Cap).....	1	<b>NOT SHOWN:</b>			
13	660210001	Screw (M2.6 x 6 mm) .....	2	140132007	Charger.....	1	
14	202333001	Motor Assembly .....	1	130166010	Battery .....	1	
15	525153001	Forward/Reverse Selector.....	1	990000207	Operator's Manual.....	1	
16	202329001	Housing Assembly (Inc. Key Nos. 24-25).....	1	10-21-13			
				(REV:05)			