

RYOBI SCREWDRIVER – MODEL NO. HP53L

The model number will be found on a label attached to the housing. Always mention the model number in all correspondence regarding your **SCREWDRIVER** or when ordering replacement parts.

FIGURE A

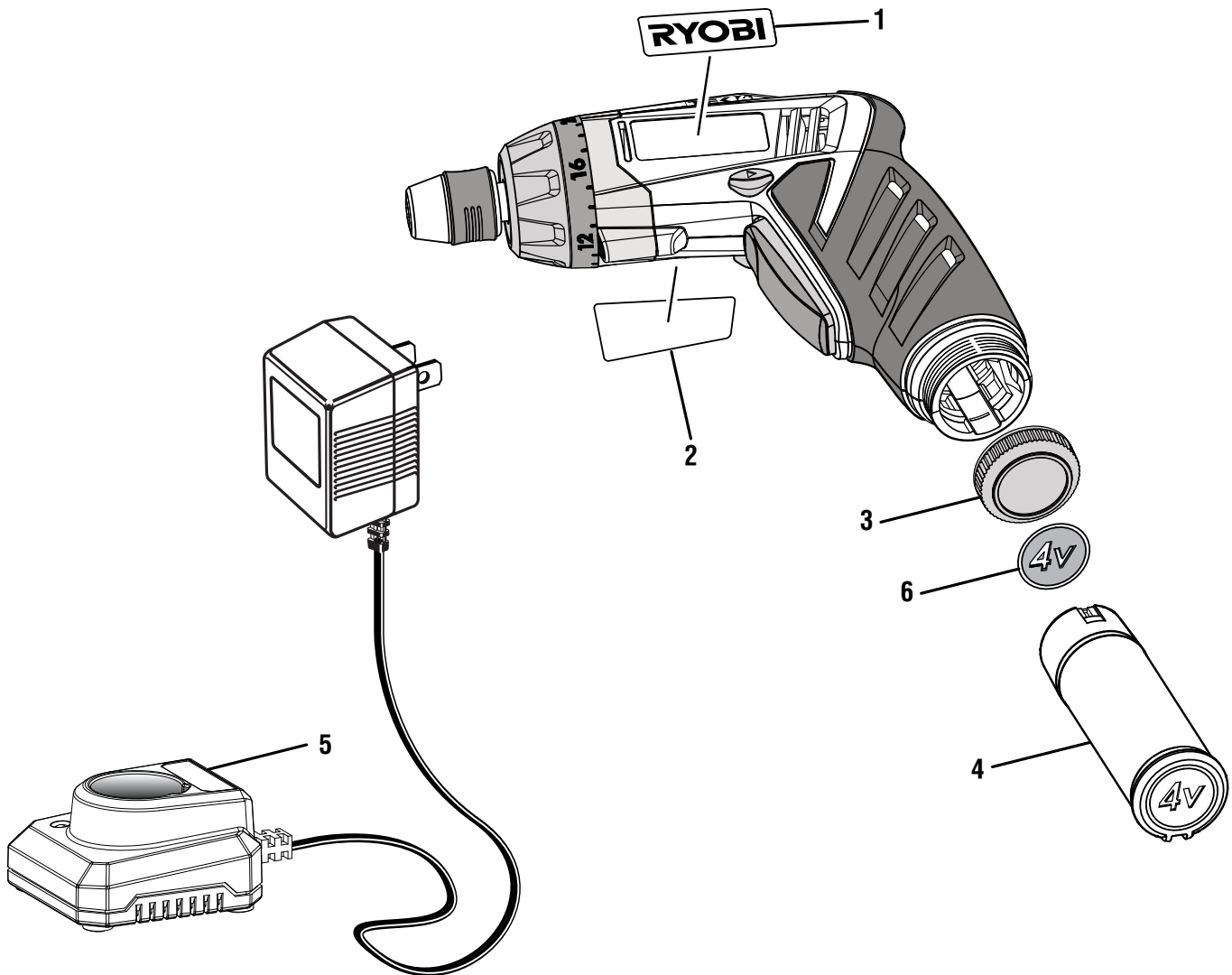


FIGURE A PARTS LIST

KEY NO.	PART NUMBER	DESCRIPTION	QTY.	KEY NO.	PART NUMBER	DESCRIPTION	QTY.
1	940114179	Logo label.....	1	NOT SHOWN:			
2	940032127	Data label.....	1	120133001	Bit Set	1	
3	303962001	Battery Cap Assembly.....	1	987000982	Operator's Manual (HP53L)	1	
4	130166003	Battery Pack (AP4001, 4 Volt Li-ion)	1	987000706	Operator's Manual (AP4001).....	1	
5	140132001	Charger (AP4800, 4 Volt Li-ion)	1	987000820	Operator's Manual (AP4800).....	1	
6	940304815	Battery Cap Label.....	1	3-17-10 (REV:01)			