



BARRANCA DIAMOND

HP30 Slab Saw

PARTS LIST

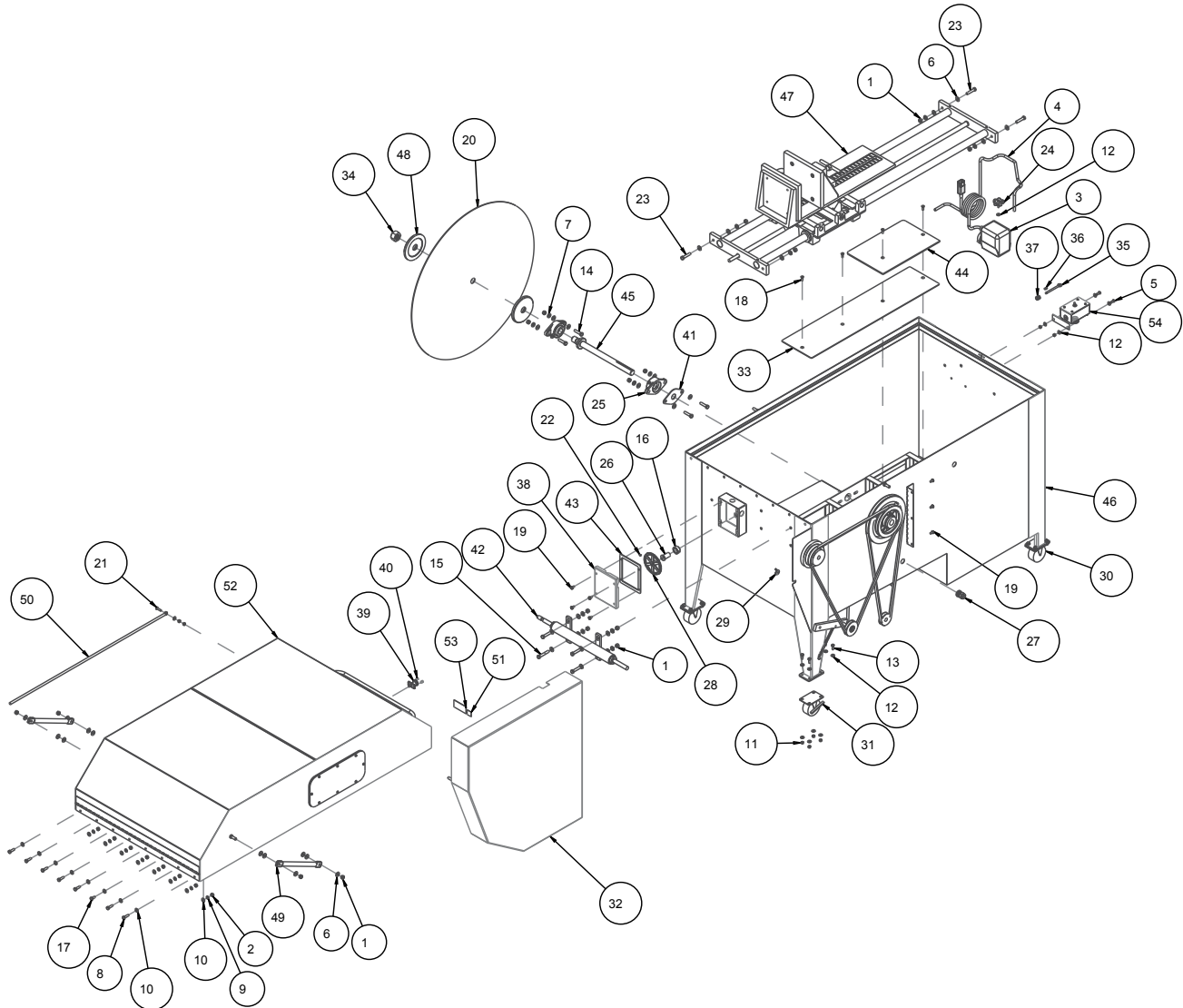


Revision 111	08.2019
Manual Part No. 168578	

Caution: Read all safety and operating instructions before using this equipment. This manual **MUST** accompany the equipment at all times.

Barranca Diamond Products, Inc.
1315 Storm Parkway
Torrance, CA 90501
Toll-Free: (800) 630-7682
Phone: (310) 523-5867
Fax: (310) 257-3063
www.barrancadiamond.com

HP30 SLAB SAW P/N 168084

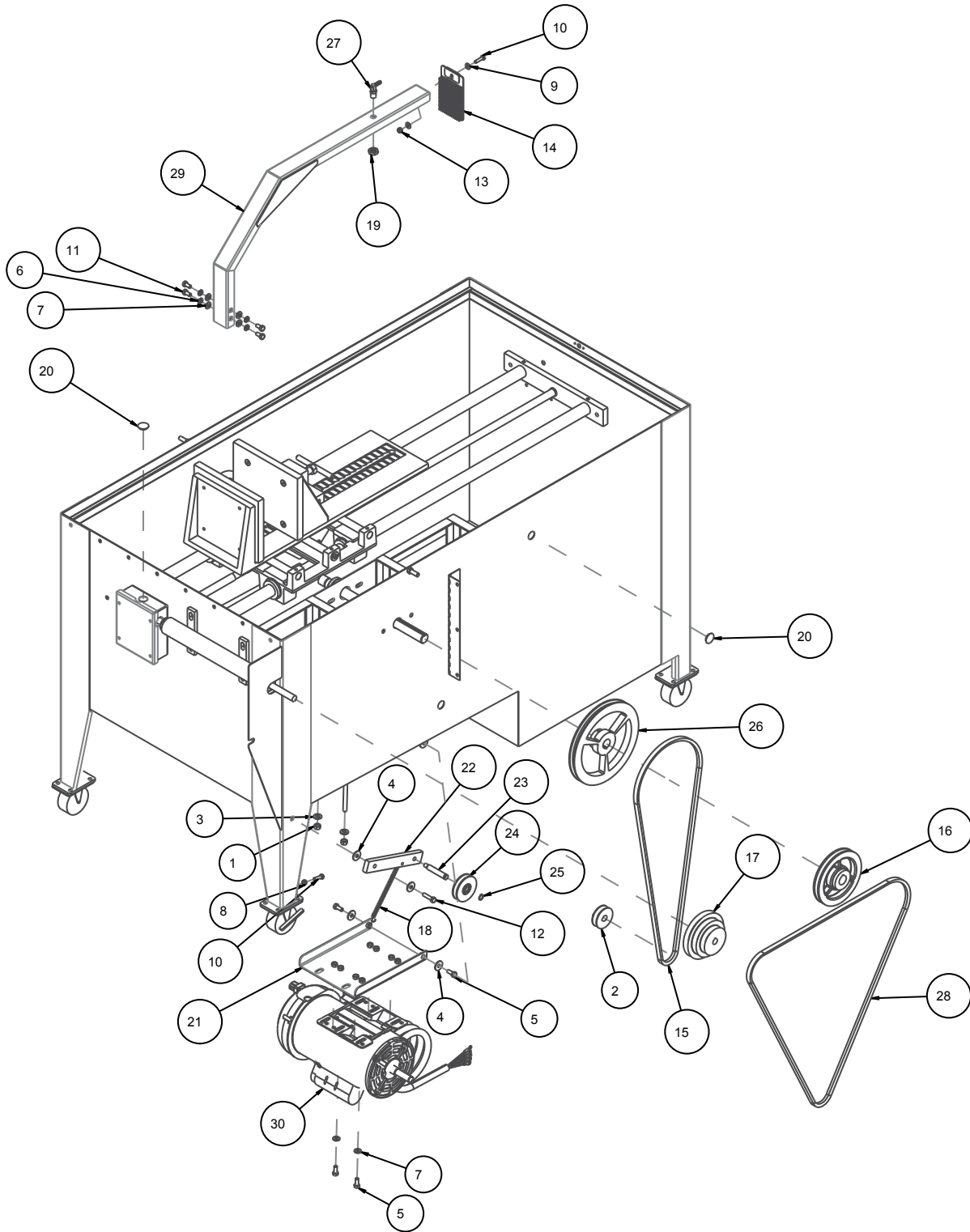


ITEM	DESCRIPTION	PART #	QTY.
1	NUT, HEX, 3/8 - 16	101188	16
2	NUT, HEX, 5/16 -18	101196	8
3	ASSY, PUMP, 3000GPH 230V 50HZ/60HZ	114769-MK	1
4	HOSE, VINYL, 1/4X3/8 TSAW (3.5FT.)	132951	1
5	SCREW, HEX HEAD, 1/4 - 20 X 5/8	150404	2
6	WASHER, FLAT, SAE, 3/8	150923	35
7	WASHER, 3/8 SPLIT LOCK	150925	12
8	SCREW, HEX HD, 5/16-18 X 1	151743	7
9	WASHER, LOCK, SPLIT, 5/16	151747	12
10	WASHER, FLAT, SAE, 5/16	151754	20
11	NUT, HEX, 1/4-20	151893	20
12	WASHER, FLAT, SAE, 1/4	151915	38
13	SCREW, HEX HD, 1/4-20X3/4	152370	16

HP30 SLAB SAW P/N 168084

ITEM	DESCRIPTION	PART #	QTY.
14	SCREW, 3/8-16 X 1-1/2 HEX HEAD	153528	4
15	SCREW, HEX HD, CAP, 3/8-16 X 2-1/4	153529	1
16	COLLAR, SHAFT, 3/4" I.D.	153814	1
17	SCREW, 5/16-18 X 5/8 HEX HEAD CAP	153949	1
18	SCREW, FLAT HD, 1/4-20 X 3/4	154657	4
19	SCREW, PAN HD, CAP, 1/4-20 X 1/2	155452	7
20	BLADE, 30" 303	156732	1
21	SCREW, FLAT HD, 1/4-20X1	157527	1
22	SCREW, SET, 1/4-20 X 1/4	157528	1
23	SCREW, 3/8-16 X 1-3/4 HEX HD	158398	6
24	KNOB, RUBBER, 1/4-20 X 3.4" LONG	159428-1	1
25	BEARING, FLANGE, 2-BOLT, 1" SHAFT	161363	2
26	BUSHING, BRONZE FLANGED 3/4 X 1/2 X 1 -1/4	161372	1
27	CONNECTOR, CORD, LTF1/2	161504	1
28	GEAR, SPUR, BRONZE 4" OD,	161577	1
29	NUT, WING FLANGE 3/8 - 16	161718	1
30	WHEEL, CASTER 3 X 1-1/4	162344	2
31	WHEEL, CASTER 3 X 1-1/4	162794	2
32	GUARD, BELT, HP-24/30	164951	1
33	TABLE, ARBOR	164953	1
34	NUT, HEX 1"-12UNF	165038	1
35	LEVER, ON/OFF SWITCH	166511	1
36	CHAIN, ON/OFF SWITCH, 3'	166512	1
37	GROMMET, ON/OFF LEVER	166513	1
38	COVER, GEAR BOX	166705	1
39	LATCH, HOOD	166985	1
40	SCREW, FLAT HD, PHILLIPS 10-32 X 3/8"	166986	2
41	GASKET, BEARING	167049	1
42	ASSEMBLY, DRIVE SHAFT	167366	1
43	GASKET, GEAR BOX	167373	1
44	TABLE TOP, ACRYLIC	167670	1
45	SHAFT, ARBOR, HP-24	167678	1
46	WELDMENT, TANK	168085	1
47	ASSY, VISE	168087	1
48	FLANGE, BLADE, 5"	168094	2
49	ASSEMBLY, SPRING GAS LIFTING	168115	2
50	PROP, HOOD	168165	1
51	LABEL, QR CODE BD MANUALS	171239	1
52	ASSY, HOOD	172309	1
53	LABEL, WARNING, PROP 65, EQUIPMENT & COMPONENTS	172641	1
54	ASSY, SWITCH BOX, HP-30	172836-12	1

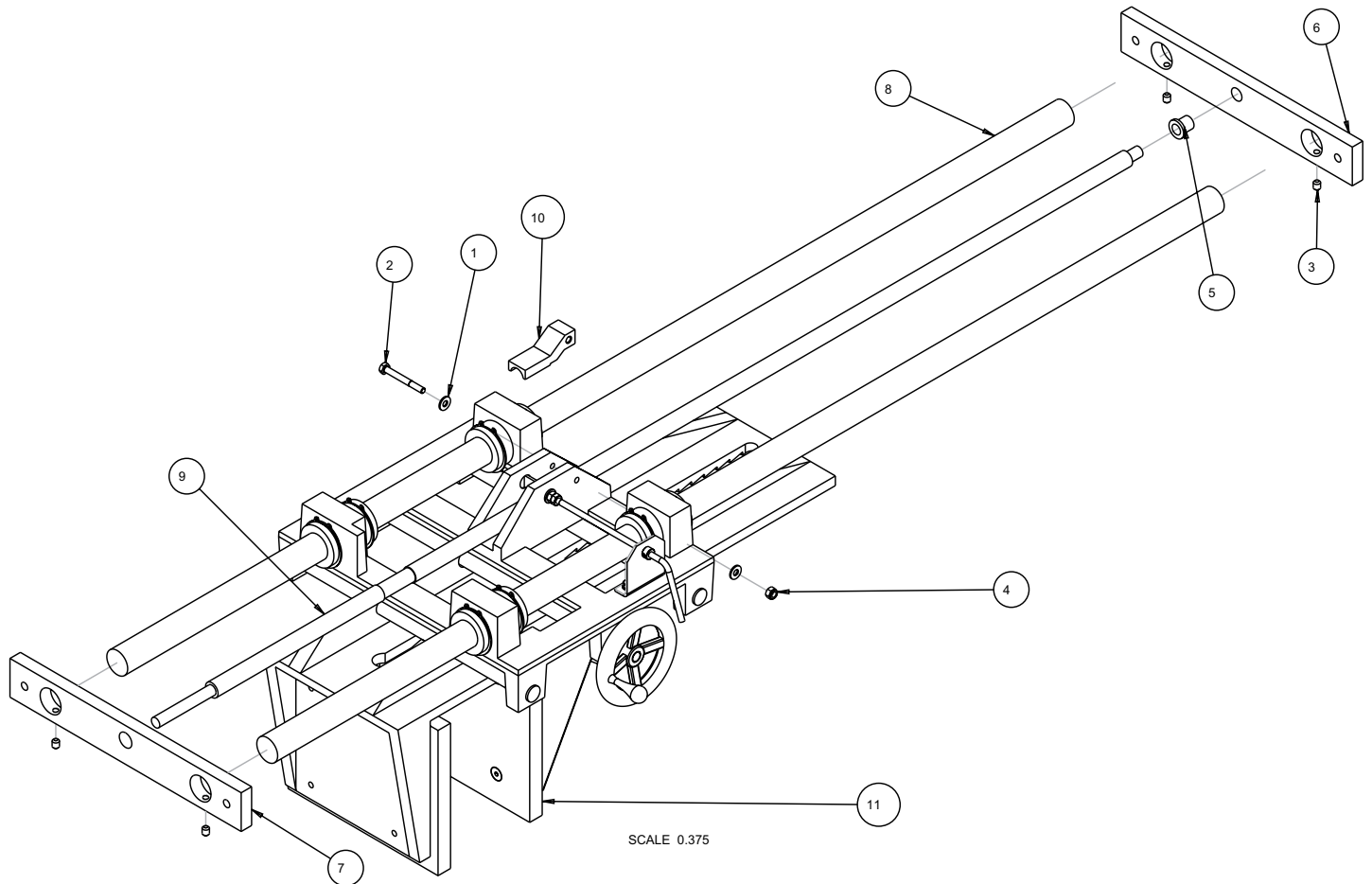
HP30 SLAB SAW P/N 168084



HP30 SLAB SAW ASSY. BOTTOM P/N 168084

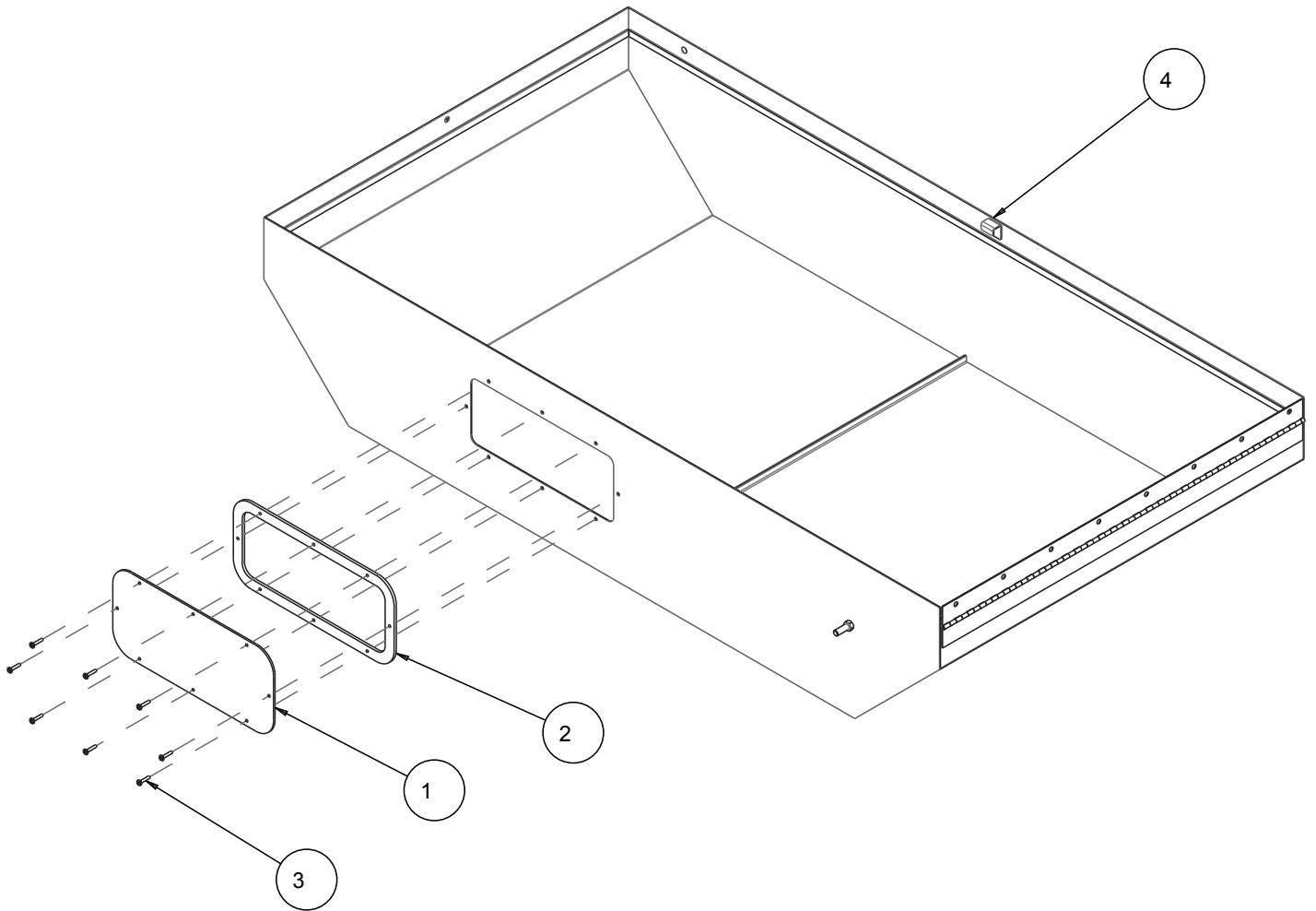
ITEM	DESCRIPTION	P/N	QTY.
1	NUT, HEX, 3/8-16	101188	2
2	PULLEY, 1A22 X 5/8" BORE	133157	1
3	WASHER, FLAT, SAE, 3/8	150923	2
4	WASHER, FENDER, 5/16 X 1.0	151053	4
5	SCREW, HEX HD, CAP, 5/16-18 X 3/4	151369	6
6	WASHER, LOCK, SPLIT, 5/16	151747	4
7	WASHER, FLAT, SAE, 5/16	151754	8
8	NUT, HEX, 1/4-20	151893	1
9	WASHER, FLAT, SAE, 1/4	151915	2
10	SCREW, HEX HD, TAP, 1/4-20X1	152676	2
11	SCREW, 5/16-18 X 5/8 HEX HEAD CAP	153949	4
12	SCREW, HEX HD, 5/16-18X1-1/4	153950	1
13	NUT, HEX, NYLK, 1/4-20	159857	1
14	GUARD, SPLASH	160310	1
15	BELT, A58	161411	1
16	PULLEY 6" OD. X 1" BORE	161778	1
17	PULLEY, STEP CONE 3, 4, 5 X 5/8 BORE	161784	1
18	SPRING, EXTENSION	162337	1
19	NUT, BRASS 1/4 NPTF	165184	1
20	CAP, FINISHING	165483	2
21	MOUNT, MOTOR	166299	1
22	TENSIONER BRACKET	166396	1
23	SHAFT, TENSIONER	166425	1
24	PULLEY, ASSEMBLY	166426	1
25	RING, RETAINING 1/2"	166427	1
26	PULLEY, 9" X 1" BORE	167365	1
27	FITTING ELBOW, PUSH ON HOSE 1/4 X 1/4 MALE	168104	1
28	BELT, A70	168107	1
29	WELDMENT, SPLASH GUARD	172792	1
30	MTR, 2HP 230V 1PH 1745RPM WEG HP-30 - COMP	172882	1

VICE ASSEMBLY P/N 168087



ITEM	DESCRIPTION	P/N	QTY.
1	WASHER, FLAT, SAE, 1/4	151915	2
2	SCREW, HEX HD, CAP, 1/4-20X 2-1/4	156607	1
3	SCREW, 5/16-18 X 3/8 SOCKET HEAD SET	157083	4
4	NUT, HEX, NYLK, 1/4-20	159857	1
5	BUSHING, BRONZE FLANGED 5/8 X 1/2 X 3/4	162304	1
6	SUPPORT BAR, RIGHT	166416	1
7	SUPPORT BAR, LEFT	166417	1
8	ROD, VISE TRAVEL	167369	2
9	ROD, THREADED FEED	168088	1
10	SHOE, CLUTCH (COMP)	168089	1
11	ASSEMBLY, VISE HP-24/30	171244	1

HP30 ASSEMBLY, HOOD P/N 172309



ITEM	DESCRIPTION	P/N	QTY.
1	WINDOW	166151	1
2	GASKET, WINDOW	166213	1
3	SCREW, PAN HD PHIL 8-32 X 3/4" SEALING	166257	8
4	HOOD WELDMENT	172845	1