



BARRANCA DIAMOND

## HP18-24 SLAB SAW PARTS LIST

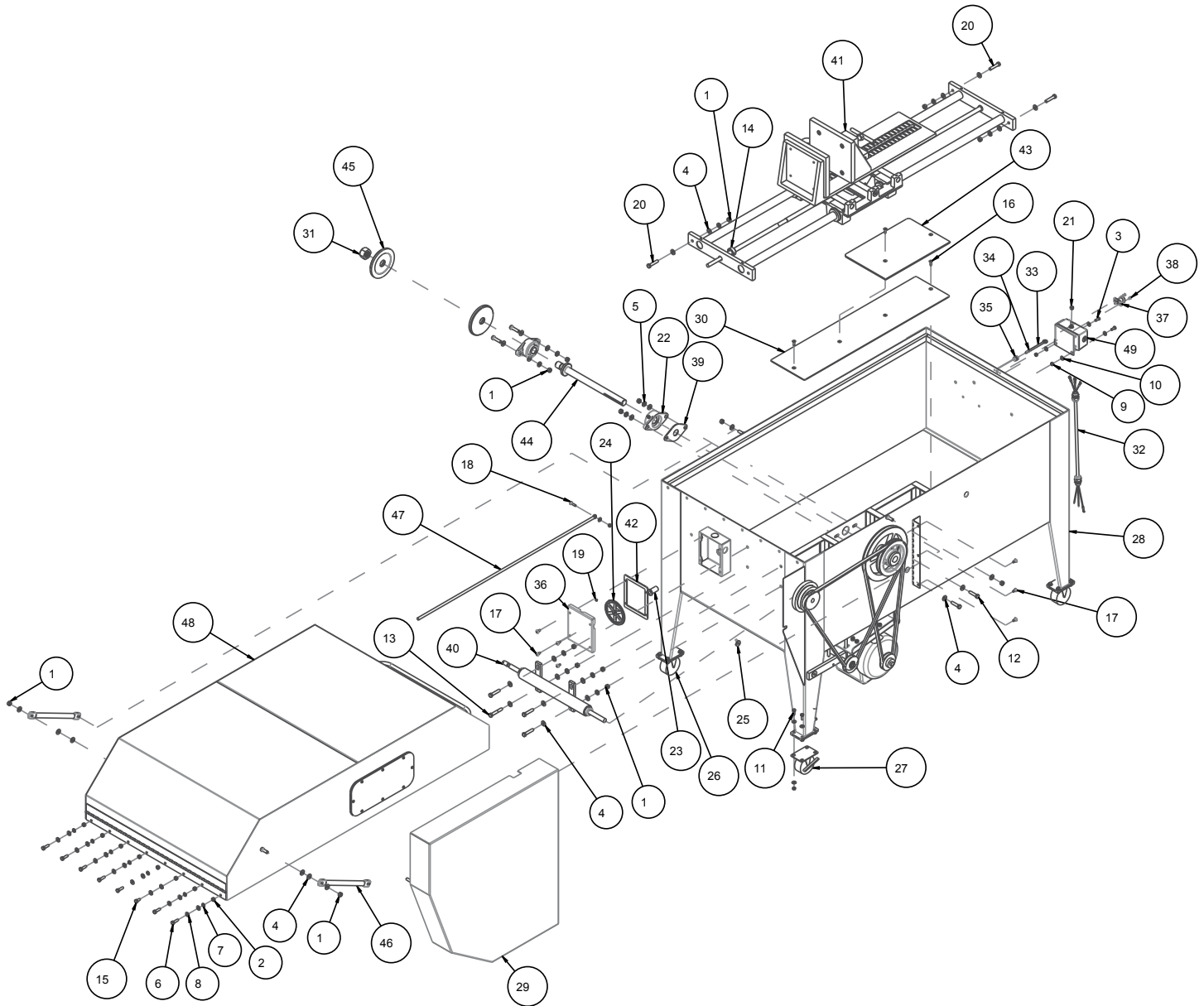


Revision 122	08.2019
Manual Part No. 164269	

**Caution:** Read all safety and operating instructions before using this equipment. This manual **MUST** accompany the equipment at all times.

Barranca Diamond Products, Inc.  
1315 Storm Parkway  
Torrance, CA 90501  
Toll-Free: (800) 630-7682  
Phone: (310) 523-5867  
Fax: (310) 257-3063  
[www.barrancadiamond.com](http://www.barrancadiamond.com)

HP18-24 SLAB SAW 1.5HP P/N 8302024

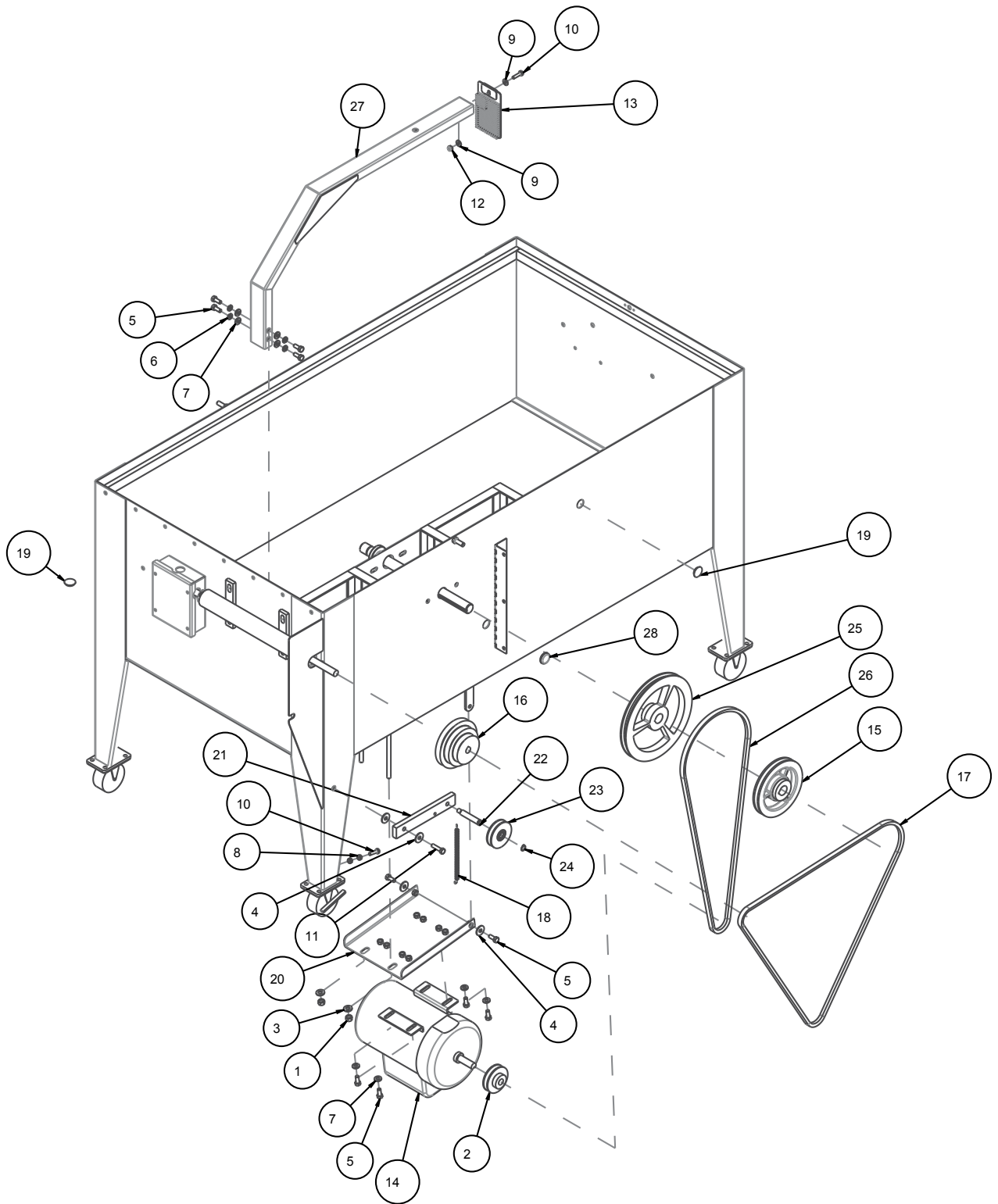


ITEM	DESCRIPTION	P/N	QTY.
1	NUT, HEX, 3/8 - 16	101188	15
2	NUT, HEX, 5/16 -18	101196	8
3	SCREW, HEX HEAD, 1/4 - 20 X 5/8	150404	2
4	WASHER, FLAT, SAE, 3/8	150923	30
5	WASHER, 3/8 SPLIT LOCK	150925	11
6	SCREW, HEX HD, 5/16-18 X 1	151743	7
7	WASHER, LOCK, SPLIT, 5/16	151747	11
8	WASHER, FLAT, SAE, 5/16	151754	20
9	NUT, HEX, 1/4-20	151893	19
10	WASHER, FLAT, SAE, 1/4	151915	37

## HP18-24 SLAB SAW 1.5HP P/N 8302024

ITEM	DESCRIPTION	P/N	QTY.
11	SCREW, HEX HD, 1/4-20X3/4	152370	16
12	SCREW, 3/8-16 X 1-1/2 HEX HEAD	153528	4
13	SCREW, HEX HD, CAP, 3/8-16 X 2-1/4	153529	1
14	COLLAR, SHAFT, 3/4" I.D.	153814	1
15	SCREW, 5/16-18 X 5/8 HEX HEAD CAP	153949	1
16	SCREW, FLAT HD, 1/4-20 X 3/4	154657	3
17	SCREW, PAN HD, CAP, 1/4-20 X 1/2	155452	7
18	SCREW, FLAT HD, 1/4-20X1	157527	1
19	SCREW, SET, 1/4-20 X 1/4	157528	1
20	SCREW, 3/8-16 X 1-3/4 HEX HD	158398	6
21	COLLAR, SHAFT 1/4 X 1/2	161066	1
22	BEARING, FLANGE, 2-BOLT, 1" SHAFT	161363	2
23	BUSHING, BRONZE FLANGED 3/4 X 1/2 X 1 -1/4	161372	1
24	GEAR, SPUR, BRONZE 4" OD,	161577	1
25	NUT, WING FLANGE 3/8 - 16	161718	1
26	WHEEL, CASTER 3 X 1-1/4	162344	2
27	WHEEL, CASTER 3 X 1-1/4	162794	2
28	WELDMENT, TANK	164950	1
29	GUARD, BELT, HP-24/30	164951	1
30	TABLE, ARBOR	164953	1
31	NUT, HEX 1"-12UNF	165038	1
32	CORD, POWER ASSEMBLY, ON/OFF SWITCH	166505	1
33	LEVER, ON/OFF SWITCH	166511	1
34	CHAIN, ON/OFF SWITCH, 3'	166512	1
35	GROMMET, ON/OFF LEVER	166513	1
36	COVER, GEAR BOX	166705	1
37	LATCH, HOOD	166985	1
38	SCREW, FLAT HD, PHILLIPS 10-32 X 3/8"	166986	2
39	GASKET, BEARING	167049	1
40	ASSEMBLY, DRIVE SHAFT	167366	1
41	ASSY, VISE	167368	1
42	GASKET, GEAR BOX	167373	1
43	TABLE TOP, ACRYLIC	167670	1
44	SHAFT, ARBOR, HP-24	167678	1
45	FLANGE, BLADE, 5"	168094	2
46	ASSEMBLY, SPRING GAS LIFTING	168115	2
47	PROP, HOOD	168165	1
48	ASSY, HOOD	172309	1
49	ASSY, SWITCH BOX, HP-18	172836-7	1

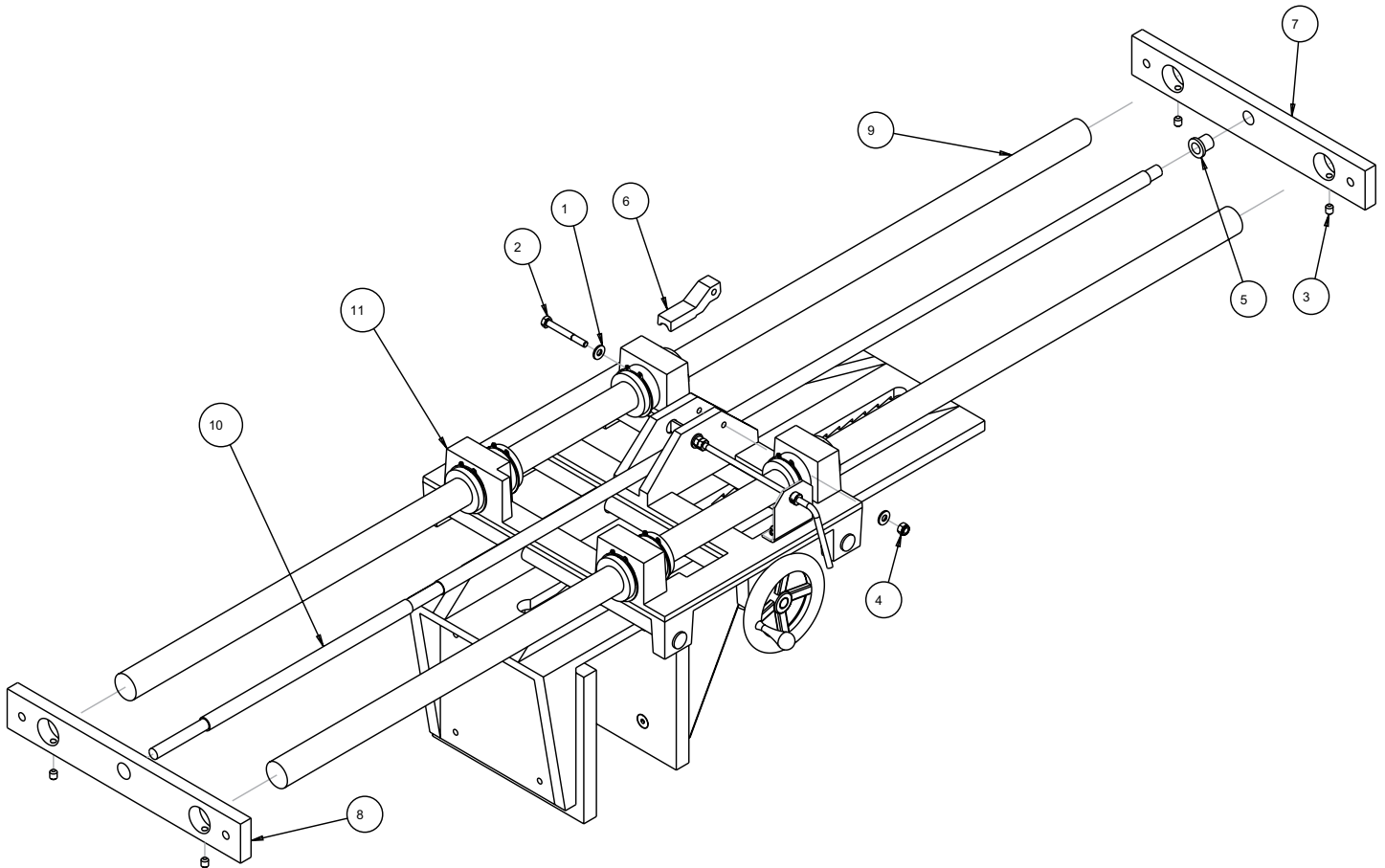
HP18-24 SLAB SAW 1.5HP P/N 8302024



**HP18-24 SLAB SAW 1.5HP P/N 8302024**

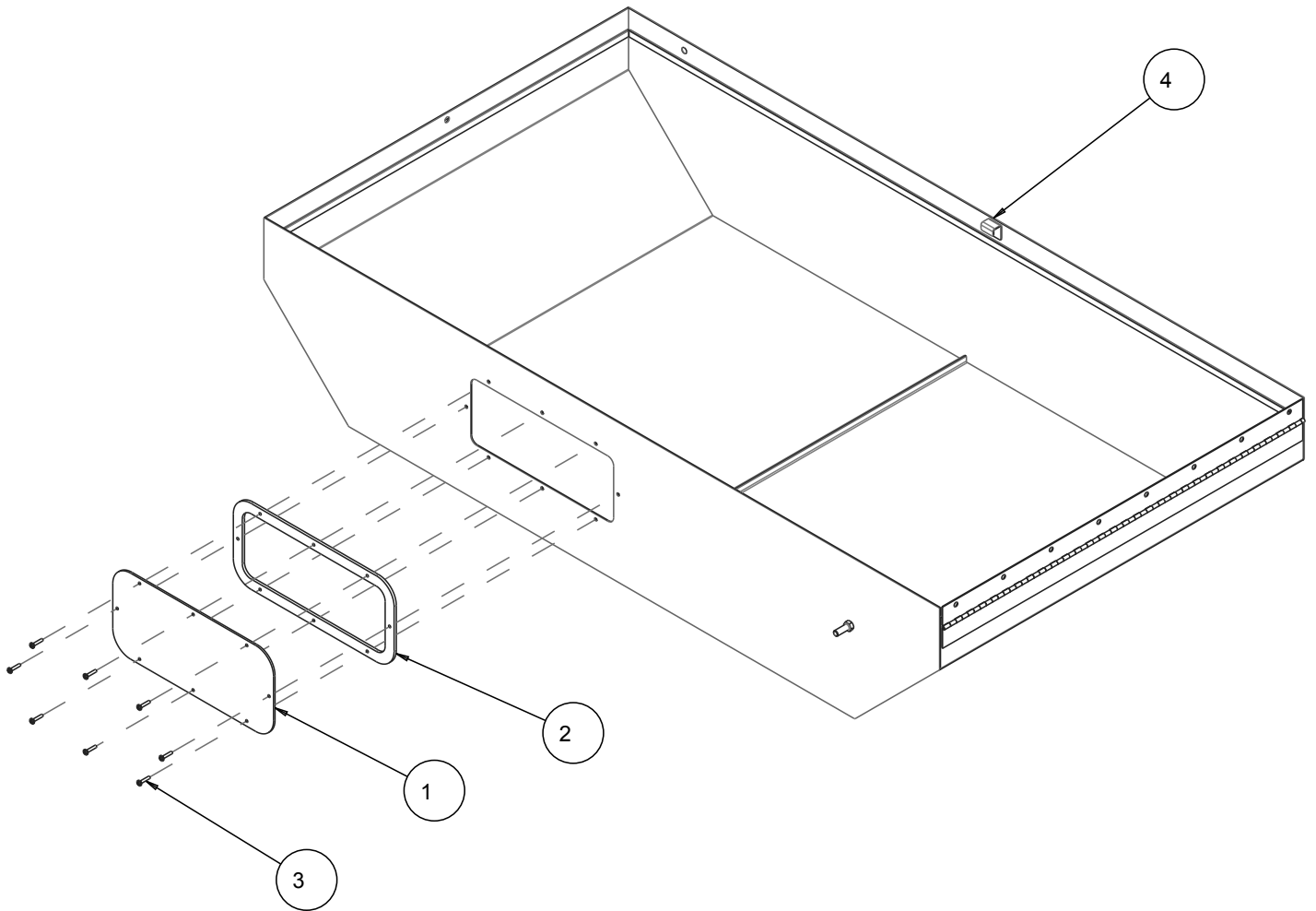
ITEM	DESCRIPTION	P/N	QTY.
1	NUT, HEX, 3/8-16	101188	2
2	PULLEY 2-3/4 X 5/8	134668	1
3	WASHER, FLAT, SAE, 3/8	150923	2
4	WASHER, FENDER, 5/16 X 1.0	151053	4
5	SCREW, HEX HD, 5/16-18 X 3/4	151369	10
6	WASHER, LOCK, SPLIT, 5/16	151747	4
7	WASHER, FLAT, SAE, 5/16	151754	8
8	NUT, HEX, 1/4-20	151893	2
9	WASHER, FLAT, SAE, 1/4	151915	2
10	SCREW, HEX HD, TAP, 1/4-20X 1	152676	2
11	SCREW, HEX HD, 5/16-18X1-1/4	153950	1
12	NUT, HEX, NYLK, 1/4-20	159857	1
13	GUARD, SPLASH	160310	1
14	MOTOR, 1.5HP 60HZ 1725R.P.M 1PH	161099	1
15	PULLEY 6" OD X 1" BORE	161778	1
16	PULLEY, STEP CONE 3,4,5 X 5.8 BORE	161784	1
17	BELT, A68	162293	1
18	SPRING, EXTENSION	162337	1
19	CAP, FINISHING	165483	2
20	MOUNT, MOTOR	166299	1
21	TENSIONER BRACKET	166396	1
22	SHAFT, TENSIONER	166425	1
23	PULLEY, ASSEMBLY	166426	1
24	RING, RETAINING 1/2"	166427	1
25	PULLEY, 9" X 1" BORE	167365	1
26	BELT, A57	171039	1
27	WELDMENT, SPLASH GUARD	172792	1
28	PLUG, PANEL, 7/8	172884	1

HP18-24 VISE ASSEMBLY P/N 167368



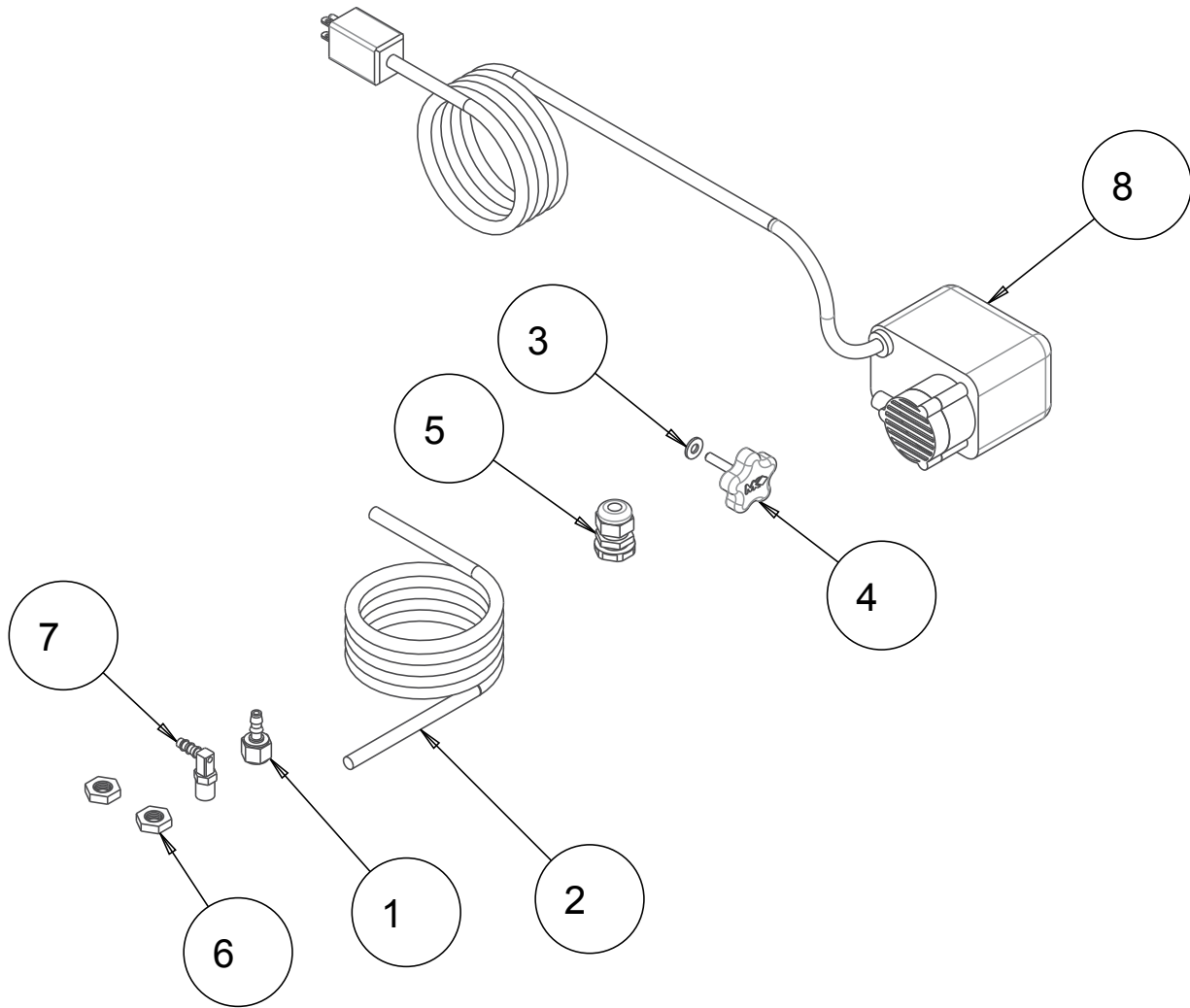
ITEM	DESCRIPTION	P/N	QTY.
1	WASHER, FLAT, SAE, 1/4	151915	2
2	SCREW, HEX HD, CAP, 1/4-20X 2-1/4	156607	1
3	SCREW, 5/16-18 X 3/8 SOCKET HEAD SET	157083	4
4	NUT, HEX, NYLK, 1/4-20	159857	1
5	BUSHING, BRONZE FLANGED 5/8 X 1/2 X 3/4	162304	1
6	SHOE, CLUTCH COMPLETE	166415	1
7	SUPPORT BAR, RIGHT	166416	1
8	SUPPORT BAR, LEFT	166417	1
9	ROD, VISE TRAVEL	167369	2
10	ROD, THREADED FEED	167372	1
11	ASSEMBLY, VISE HP-24/30	171244	1

HP18-24 ASSEMBLY, HOOD P/N 172309



ITEM	DESCRIPTION	P/N	QTY.
1	WINDOW	166151	1
2	GASKET, WINDOW	166213	1
3	SCREW, PAN HD PHIL 8-32 X 3/4" SEALING	166257	8
4	HOOD WELDMENT	172845	1

HP18/20 WATER PUMP KIT P/N 172897



ITEM	DESCRIPTION	P/N	QTY.
1	ADAPTER, PUMP TPF-22 1/4 X 1/4	128397	1
2	HOSE, VINYL, 1/4 X 3/8 (7.0')	132951	1
3	WASHER, FLAT, SAE, 1/4	151915	1
4	KNOB, RUBBER, 1/4-20 X 1-1/4" LONG	159428-2	1
5	CONNECTOR, CORD, LTF1/2	161504	1
6	NUT, BRASS 1/4 NPTF	165184	2
7	FITTING ELBOW, PUSH ON HOSE 1/4 X 1/4 MALE	168104	1
8	ASSY, PUMP	172860	1