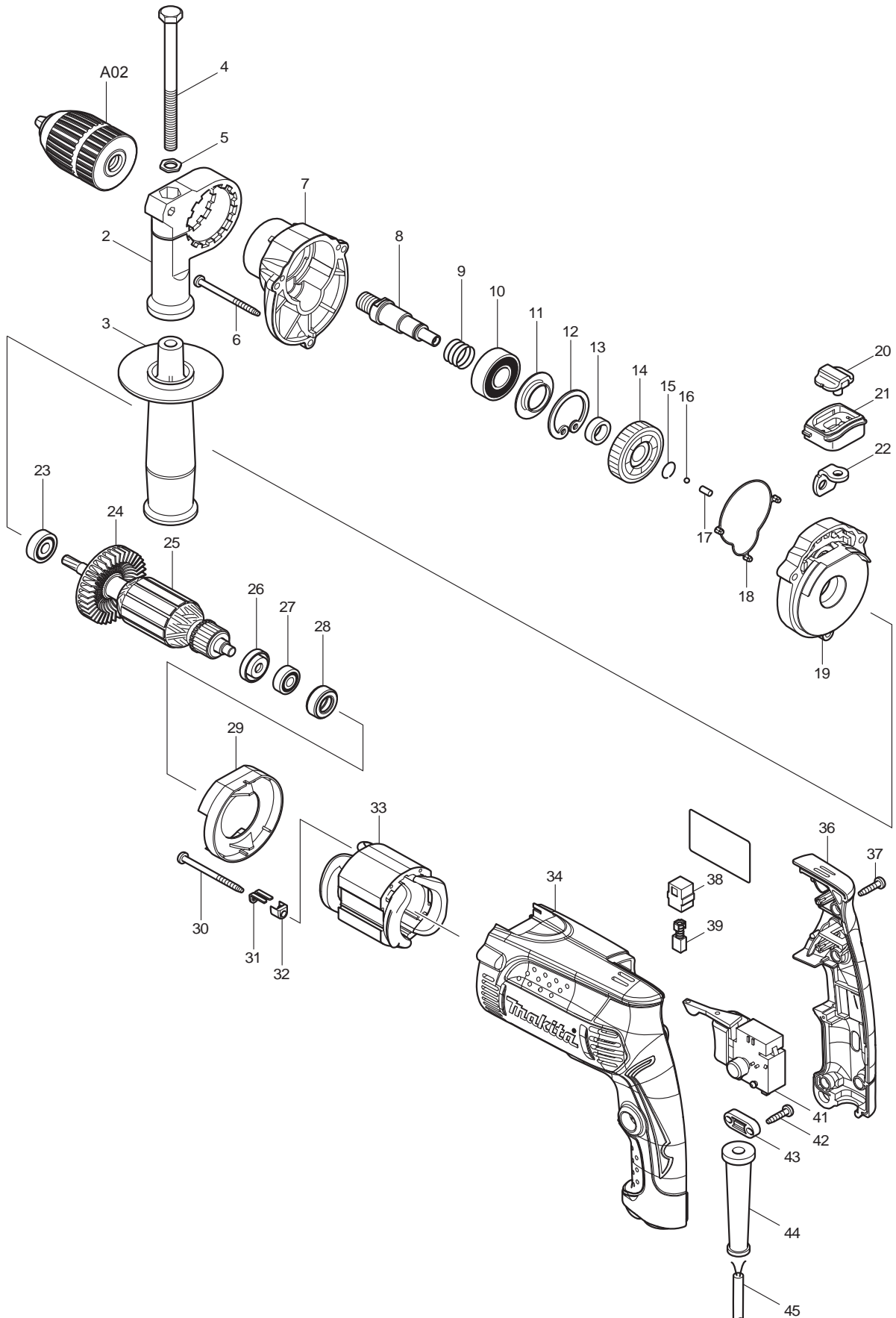




01 - 2010
HP1631
HP1631K
HAMMER DRILL



Item No	Type	Ref	Part No	Description	Qty	Unit
2			417630-4	GRIP BASE	1	PC.
3			153503-4	GRIP 36 COMPLETE	1	PC.
4			265495-6	HEX. BOLT M8X110	1	PC.
5			345280-4	HEX. WASHER	1	PC.
6			266361-0	TAPPING SCREW 4X30	3	PC.
7			450619-9	GEAR HOUSING	1	PC.
8			324223-9	SPINDLE	1	PC.
9			233330-6	COMPRESSION SPRING 16	1	PC.
10			211241-5	BALL BEARING 6202DDW	1	PC.
11			257246-1	RING 19	1	PC.
12			962153-2	RETAINING RING R-35	1	PC.
13			257173-2	RING 12	1	PC.
14			226589-2	HELICAL GEAR 37	1	PC.
15			233938-6	RING SPRING 12	1	PC.
16			216001-0	STEEL BALL 3.5	1	PC.
17			256251-5	PIN 4	1	PC.
18			424112-9	SEAL RING	1	PC.
19			158676-8	GEAR HOUSING COVER COMPLETE	1	PC.
20			417819-4	CHANGE LEVER	1	PC.
21			450621-2	LEVER CASE	1	PC.
22			345944-0	CHANGE PLATE	1	PC.
23			211031-6	BALL BEARING 608LLB	1	PC.
24			241869-5	FAN 55	1	PC.
25			515306-8	ARMATURE ASS'Y 115V	1	PC.
		INC.		Item No. 23, 24, 26 & 27		
26			681636-0	INSULATION WASHER	1	PC.
27			211021-9	BALL BEARING 607LLB	1	PC.
28			421808-3	RUBBER RING 19	1	PC.
29			450620-4	BAFFLE PLATE	1	PC.
30			266415-3	TAPPING SCREW 4X55	2	PC.
31			344871-8	RETAINER	2	PC.
32			417237-6	INSULATION COVER	2	PC.
33			626601-2	FIELD 115V	1	PC.
34			450617-3	MOTOR HOUSING	1	PC.
36			158677-6	HANDLE COVER COMPLETE	1	PC.
37			266326-2	TAPPING SCREW 4X18	4	PC.
38	1		643563-9	* BRUSH HOLDER 5X8	2	PC.
	2		643566-3	* BRUSH HOLDER 5X8	2	PC.
39	1		191956-9	CARBON BRUSH CB-75 2PC/SET (W/O ORIGIN)	1	SET
	2		194971-2	CARBON BRUSH CB-75 2PC/SET (W ORIGIN)	1	SET
41			650585-2	SWITCH S W/LOCK VAR/REV	1	PC.
42			266326-2	TAPPING SCREW 4X18	2	PC.
43			687123-7	STRAIN RELIEF	1	PC.
44			682569-2	CORD GUARD 8-85	1	PC.
45			664881-2	CORD W/PLUG 18-2-2.0M, SJ	1	PC.
100			654037-5	INSULATED TERM. FK1.25-M3	2	PC.
101			654042-2	NON-INSULATED SLEEVE	2	PC.
102			654593-5	SPLICE	4	PC.
C01			849461-7	CARTON F/HP1631K	1	PC.

Item No	Type	Ref	Part No	Description	Qty	Unit
<u>ACCESSORIES</u>						
A01			824811-7	PLASTIC CARRYING CASE	1	PC.
		INC.	324815-4	SHAFT	1	PC.
		INC.	417724-5	LATCH	2	PC.
		INC.	418264-6	PLATE	3	PC.
		INC.	419216-0	HANDLE	1	PC.
		INC.	450086-8	PLASTIC CASE LID	1	PC.
A02	1		194073-4	1/2" KEYLESS DRILL CHUCK - PACKAGED	1	PC.
	2		196193-0	1/2" KEYLESS DRILL CHUCK - PACKAGED	1	PC.
	Opt		763192-3	1/2" KEYLESS DRILL CHUCK - BULK	1	PC.
	Opt		192541-1	1/2" DRILL CHUCK (CONVENTIONAL)	1	PC.
A03			763440-0	CHUCK KEY (F/192541-1)	1	PC.
A04			324219-0	DEPTH GAUGE	1	PC.
A05			765009-6	BLOW-OUT BULB	1	PC.

SERVICE CHANGES

1. Changes on Brush holder

Item No.	Description	Type 1	Type 2
38	Brush holder 5x8	643563-9	643566-3

 (TI#99619)