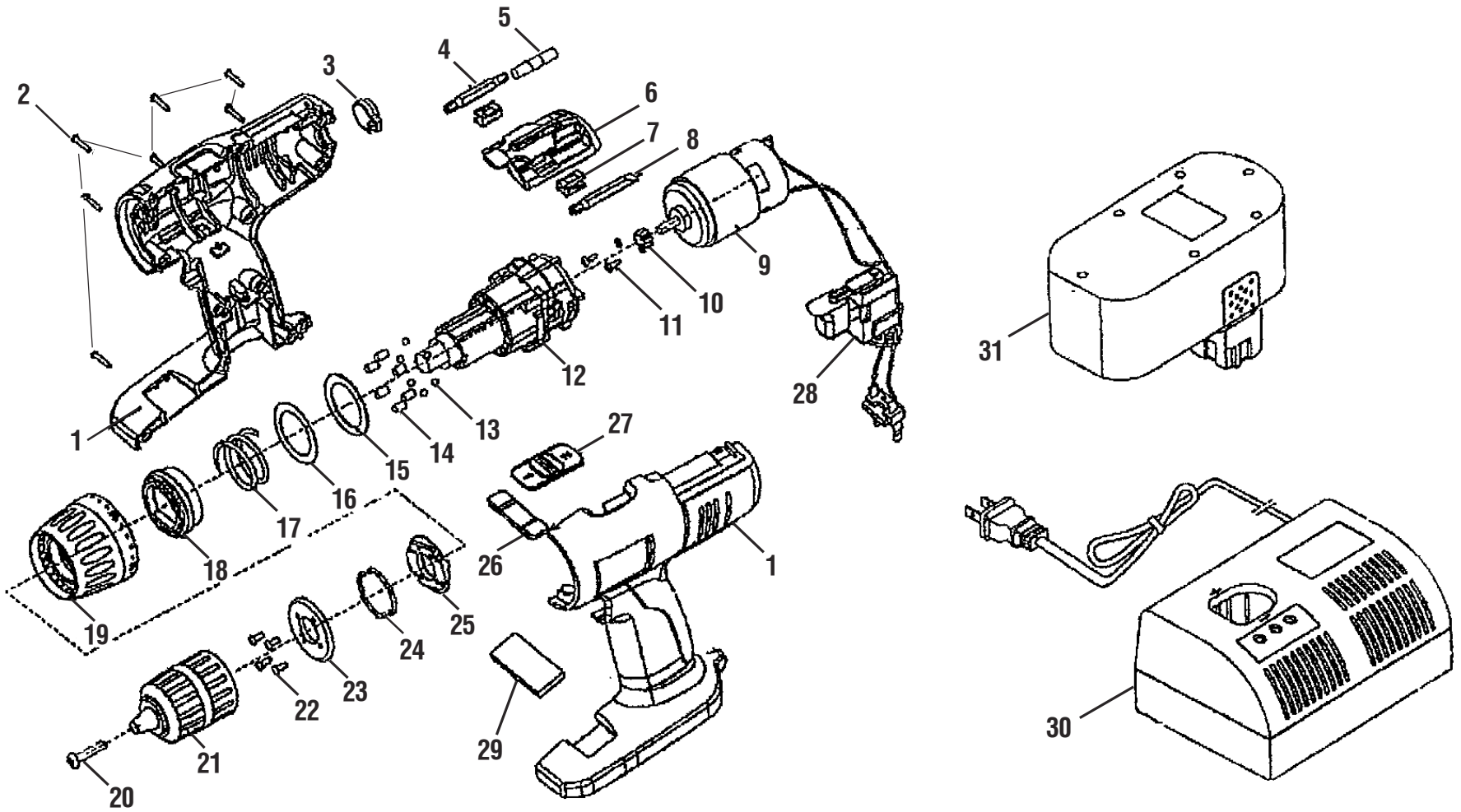


RYOBI 3/8 in., 14.4 VOLT CORDLESS DRILL DRIVER - MODEL NUMBER HP1442M



RYOBI 3/8 in., 14.4 VOLT CORDLESS DRILL DRIVER – MODEL NUMBER HP1442M

The model number will be found on a label attached to the motor housing. Always mention the model number in all correspondence regarding your **DRILL DRIVER** or when ordering repair parts.

PARTS LIST

Key No.	Part Number	Description	Qty.	Key No.	Part Number	Description	Qty.
1	984408001	Housing Assembly.....	1	21	6805801	Chuck	1
2	6620605	Screw (M3.5 x 14 mm).....	7	22	6620311	Screw (M3 x 20 mm).....	4
3	304152003	Rear Bubble Level	1	23	6359801	Mounting Plate	1
4	6782005	Double Ended Bit	1	24	6399201	Detent Ring.....	2
5	3000906	Level Assembly	1	25	5434601	Spring Holder	1
6	5475401	Bit Storage.....	1	26	5475201	Forward/Reverse Lever	1
7	630206007	Bit Clip.....	2	27	5475301	2-Speed Lever.....	1
8	6782015	Double Ended Bit	1	28	2700980	Switch Assembly	1
9	984409001	Motor Assembly (Inc. Key Nos. 10-12).....	1	29	6000303	Magnet	1
10	6702801	Washer	2	30	1412001	Battery Charger	1
11	6621101	Screw (M3 x 8 mm).....	2	31	1314702	Battery Pack	1
12	220016026	Gear Box Assembly.....	1	Not Shown:			
13	6721901	Steel Ball	6	510308003	Carrying Case Latch.....	1	
14	6833802	Pin	6	9418528	Logo Label.....	1	
15	6703503	Clutch Washer	1	9418653	Data Label	1	
16	6838001	Clutch Washer	1	3063692	Carrying Case.....	1	
17	6843401	Spring	1	972000874	Operator's Manual		
18	5437201	Sleeve.....	1	2-20-13			
19	5474801	Clutch Cap	1	(Rev:02)			
20	1130049	Chuck Screw (L.H.T.).....	1				

WARNING: Any repairs requiring disassembly of your tool requires safety testing and should only be performed by a Ryobi Authorized Service Center. For the service center nearest you call 1-800-525-2579.