



BARRANCA DIAMOND

# HP14 Slab Saw

## PARTS LIST

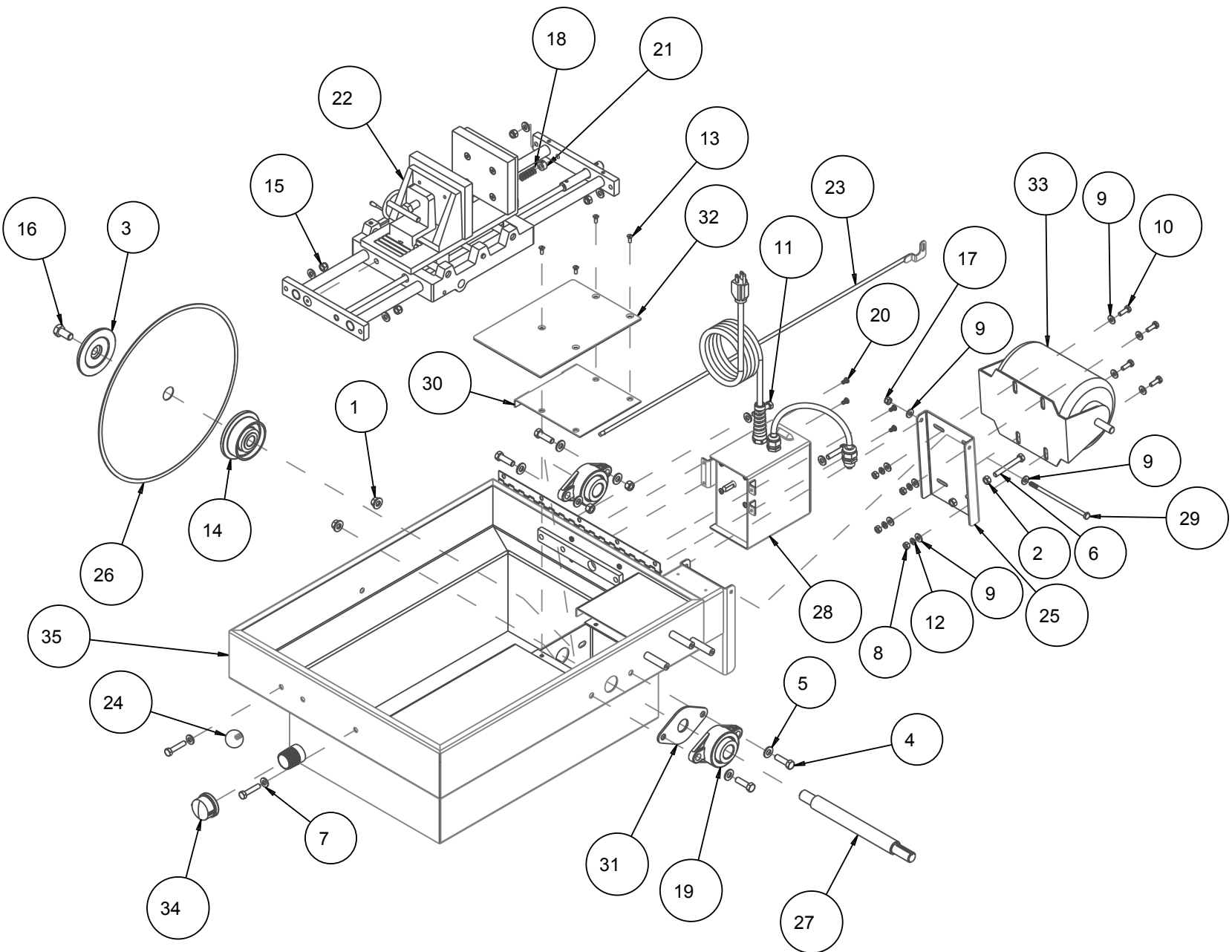


Revision 114	06.2019
Manual Part No. 167671	

**Caution:** Read all safety and operating instructions before using this equipment. This manual **MUST** accompany the equipment at all times.

Barranca Diamond Products, Inc.  
1315 Storm Parkway  
Torrance, CA 90501  
Toll-Free: (800) 630-7682  
Phone: (310) 523-5867  
Fax: (310) 257-3063  
[www.barrancadiamond.com](http://www.barrancadiamond.com)

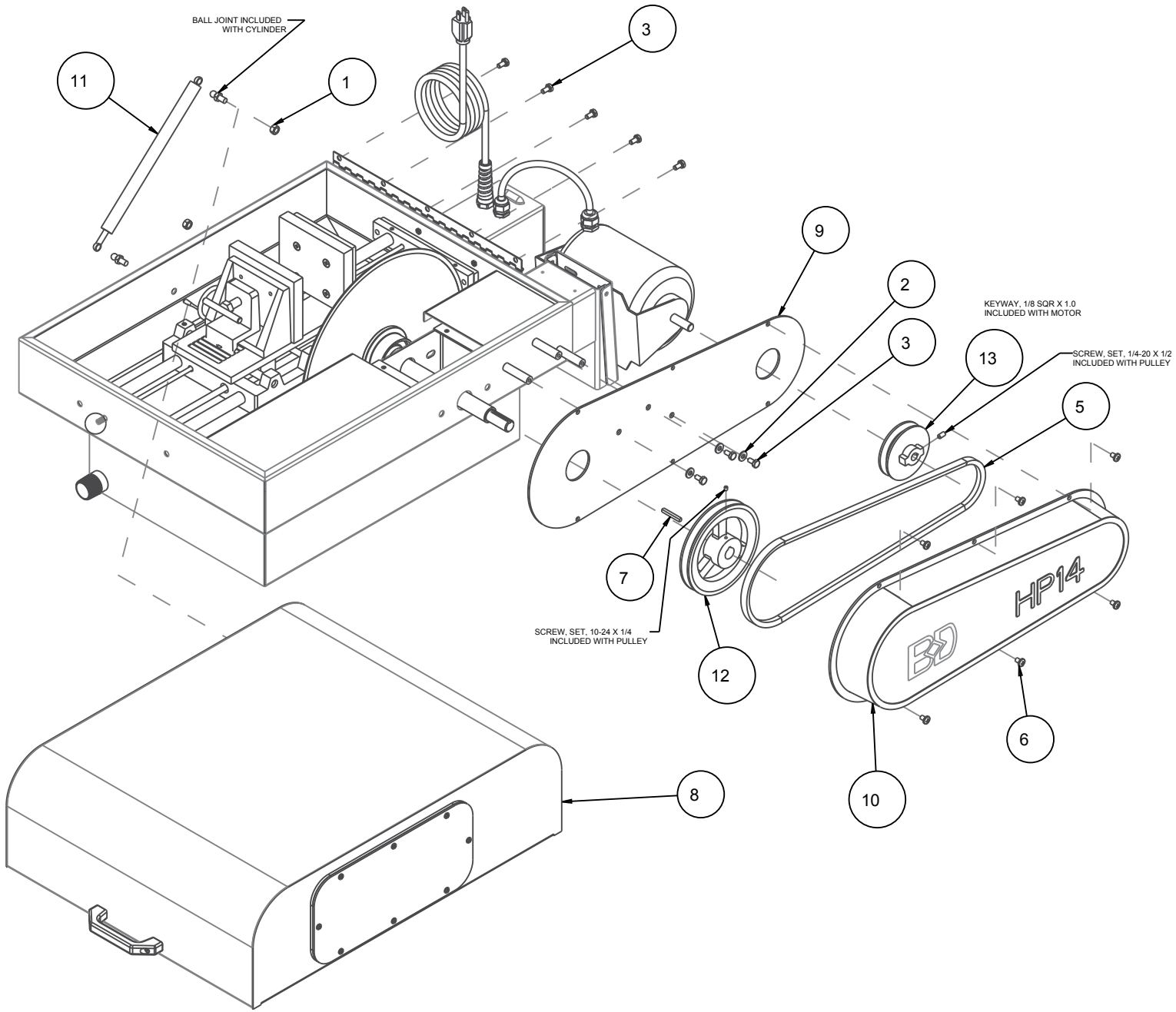
HP-14 SLAB SAW P/N 8302014



## HP-14 SLAB SAW P/N 8302014

Item	Part Description	P/N	Qty.
1	NUT, HEX, 3/8-16	101188	4
2	NUT, HEX 5/16-18	101196	1
3	FLANGE, OUTER, 3-5/8"	132290	1
4	SCREW, 3/8-16 X 1-1/4 HEX HEAD CAP	150774	4
5	WASHER, FLAT, SAE 3/8	150923	8
6	SCREW, HEX HD, TAP, 5/16-18X2-1/2	151748	1
7	WASHER, FLAT, SAE, 5/16	151754	8
8	NUT, HEX, 1/4-20	151893	4
9	WASHER, FLAT, SAE, 1/4	151915	10
10	SCREW, HEX HD 1/4-20 X 3/4	152370	4
11	SCREW, 5/16 - 18 X 1 - 1/2 HEX HEAD MACHINE	152467	4
12	WASHER, LOCK, SPLIT 1/4	152591	4
13	SCREW, FLAT HD, #10-32 X 1/2	154541	4
14	FLANGE, ARBOR, INNER, 3-5/8"	154640	1
15	NUT, HEX, NYLK, 5/16 - 18	158289	4
16	SCREW, 1/2-13 X 1 HEX HEAD, LEFT HAND	159203	1
17	NUT, HEX, NYLK, 1/4-20	159857	1
18	SPRING, 1/2 X .040 X 1.75"	160697	1
19	BEARING, FLANGE, 2-BOLT, 1" SHAFT	161363	2
20	SCREW, PAN HEAD PHILLIPS 10 -32 X 3/8"	161875	4
21	COLLAR-SHAFT	162312	1
22	ASSEMBLY, VISE	165507	1
23	WELDMENT, ON/OFF LEVER	165511	1
24	KNOB, 1-1/4" BALL 1/4-20 THREAD	165514	1
25	MOUNT, MOTOR	165560	1
26	MK-301 14 X 065 X 1 GEMKING	166070	1
27	SHAFT, BLADE	166133	1
28	ASSEMBLY, FEED MOTOR, 120V	166147	1
29	HEX CAP SCREW 1/4 - 20 X 5 - 1/2"	166262	1
30	COVER, ARBOR HOUSE	166712	1
31	GASKET, BEARING	167049	1
32	COVER, ARBOR HOUSE	167360	1
33	MOTOR, 1/2 HP, 120V/60HZ, 1725RPM	168504	1
34	CAP, PIPE, 1" TNPT, GI	170878	1
35	WELDMENT, TANK	172356	1

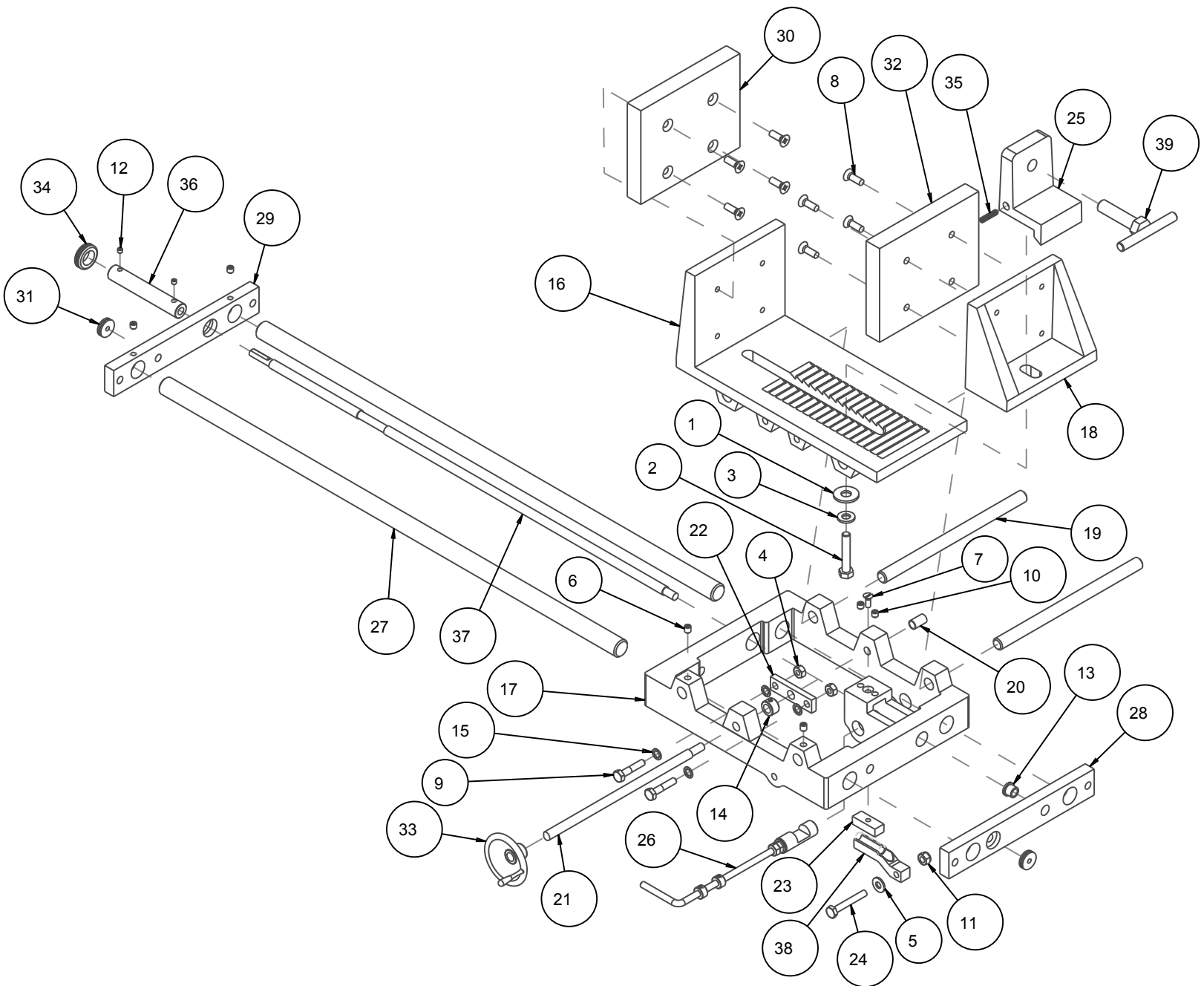
HP-14 SLAB SAW P/N 8302014



## HP-14 SLAB SAW P/N 8302014

Item	Part Description	Part#	Qty.
1	NUT, 5/16-18 HEX	101196	2
2	WASHER, FLAT, SAE, 1/4	151915	3
3	SCREW, 1/4-20 X 1/2 HEX HEAD	152608	8
4	SCREW, 1/2-13 X 1 HEX HEAD CAP, LH	159203	1
5	BELT, AX44	161418	1
6	SCREW, 1/4 - 20 X 3/8 PAN HEAD PHILLIPS MACHINE	161877	6
7	KEY, 3/16 SQR X 1-1/2	165347	1
8	ASSEMBLY, HOOD	165510	1
9	PLATE, BELT GUARD	166139	1
10	BELT GUARD, COMPLETE	166141	1
11	GAS SPRING, 20 LBS	166274	1
12	PULLEY, 6 X 3/4 BORE	166284	1
13	PULLEY, 1A35 X 1/2 BORE	168866	1

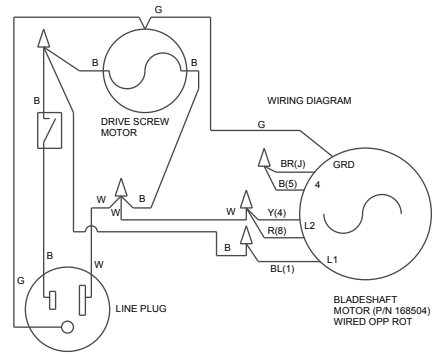
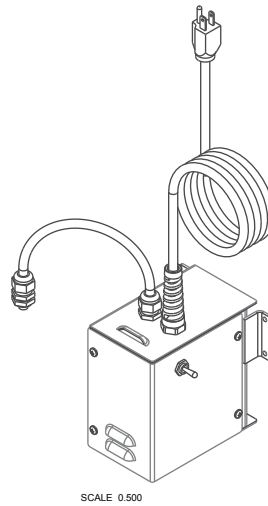
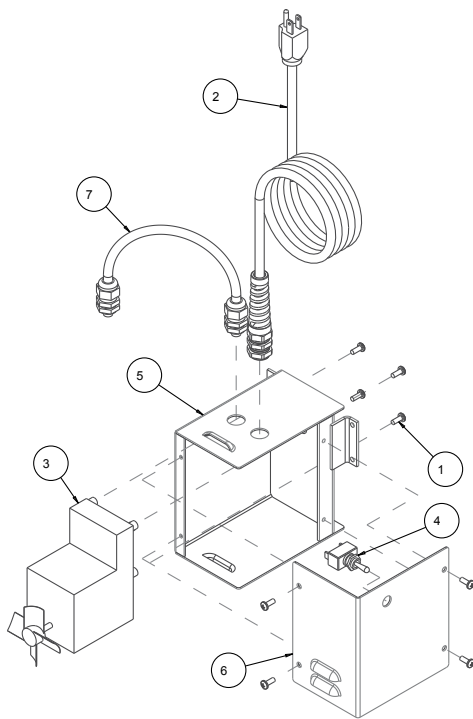
HP-14 SLAB SAW ASSEMBLY P/N 165507



## HP-14 SLAB SAW ASSEMBLY P/N 165507

Item	Part Description	P/N	Qty.
1	WASHER, 5/16 FLAT, USS, 3/8	101360	1
2	SCREW, 5/16-18 X 1-3/4 HEX HEAD CAP	150919	1
3	WASHER, FLAT, SAE, 5/16	151754	1
4	NUT, 1/4-20 HEX	151893	2
5	WASHER, 1/4 SAE FLAT	151915	1
6	SCREW, SET CUP PT 1/4-20 X 5/16	154226	2
7	SCREW, FLAT HD #10-32 X 1/2	154541	1
8	SCREW, FLAT HD, 1/4-20 X 3/4	154657	8
9	SCREW, HEX HD 1/4-20 X 1-1/4	157145	2
10	SCREW, SET 1/4 - 20 X 1/4	157528	4
11	NUT, HEX, NYLK, 1/4-20	159857	1
12	SCREW, SET CUP, SS, #10-32 X 3/16	161038	2
13	BEARING, FLNG, 5/16" SHFT, BRNZ	161058	1
14	COLLAR, SHAFT 3/8 X 5/8	161077	1
15	WASHER, LOCK,IT, 1/4	162490	4
16	CASTING, VISE, HP-14, COMP	165525	1
17	CASTING, CARRIAGE, HP-14, COMP	165526	1
18	CASTING, JAW HP-14, COMP	165527	1
19	ROD, TRANSVERSE	165528	2
20	BEARING, SLEEVE, 5/16 X 3/8	165529	1
21	ROD, THREADED SIDE TO SIDE	165530	1
22	PLATE, SCREW, SIDE TO SIDE	165531	1
23	CUSHION, CLUTCH	165533	1
24	SCREW, HEX HD, CAP, 1/4-20 X 1-3/4	165534	1
25	CASTING, DOG HP-14 - COMP	165536	1
26	ASSY, ENGAGE, CLUTCH	165537	1
27	BAR, LONGITUDINAL	165538	2
28	SUPPORT, END	165539	1
29	SUPPORT, END	165540	1
30	CLAMP, WOOD	165541	1
31	GROMMET, 3/16ID X 3/4OD	165543	2
32	CLAMP, WOOD	165544	1
33	WHEEL, HAND, 2 -1/4" OD	165566	1
34	GROMMET, 5/8 ID X 1-1/8 OD	165567	1
35	SCREW, SET CUP, #10-24 X 7/8	166142	1
36	COUPLING, SCREW DRIVE	166474	1
37	SCREW, DRIVE, 3/8 - 24 LH	167612	1
38	CASTING, SHOE, CLUTCH, HP-14-COMP	167649	1
39	KNOB, T-HANDLE, 1/2-13 X 2	172667	1

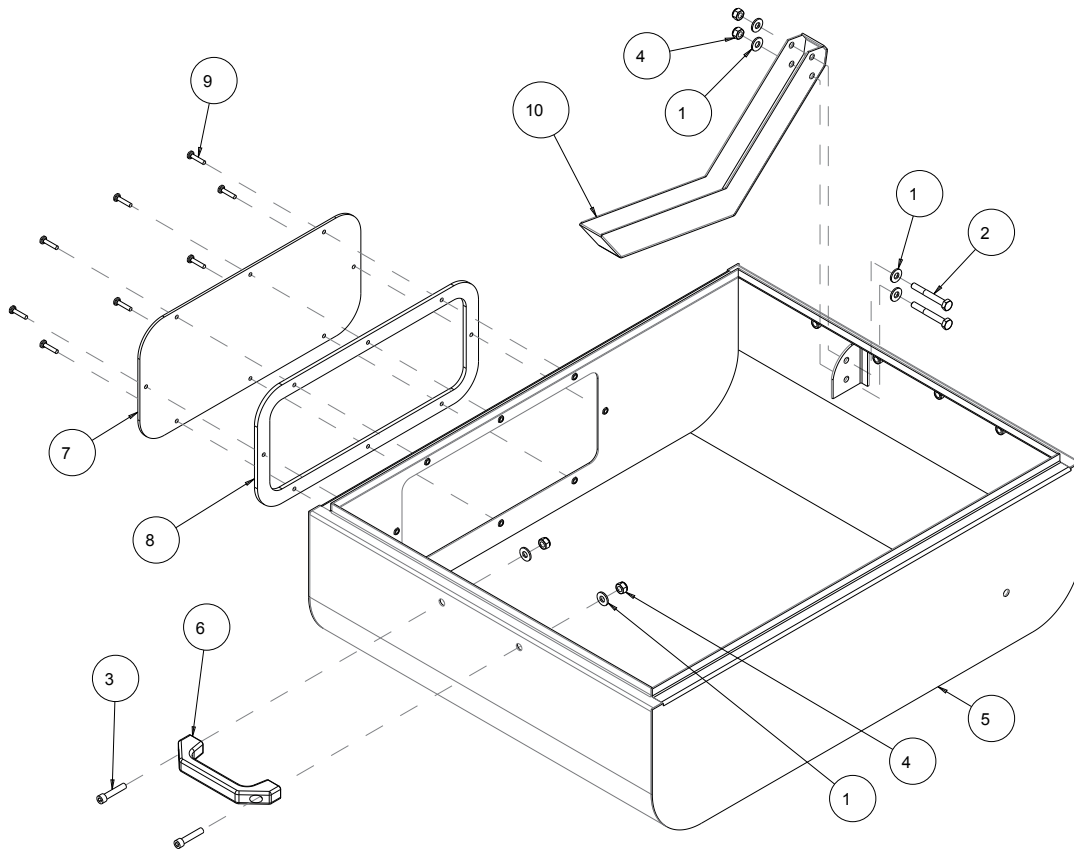
ASSEMBLY FEED MOTOR P/N 166147



Item	Part Description	P/N	Qty.
1	SCREW, PAN HD, #10 - 32 X 1/2	151052	8
2	CORD, POWER, 14/3 115V	153419	1
3	GEARMOTOR, 115V 60HZ 6RPM	161586	1
4	SWITCH, TOGGLE, 20A/125V SPST	161956	1
5	WELDMENT, LEFT SIDE PANEL	166265	1
6	WELDMENT, FRONT PANEL	166266	1
7	CORD, 14/3 SJOOW MOTOR	169088	1



ASSEMBLY HOOD P/N 165510



Item	Part Description	P/N	Qty.
1	WASHER, FLAT, SAE, 1/4	151915	6
2	SCREW, HEX HD 1/4 - 20 X 2	158282	2
3	SCREW, SOC HD CAP, 1/4 - 20 X 1 - 1/4	159336	2
4	NUT, HEX, NYLK, 1/4 - 20	159857	4
5	WELDMENT, HOOD	165520	1
6	HANDLE, PULL	165923	1
7	WINDOW	166151	1
8	GASKET, WINDOW	166213	1
9	PAN HEAD PHILLIPS 8 - 32 X 3/4" SEALING	166257	8
10	GUARD, BLADE	166770	1