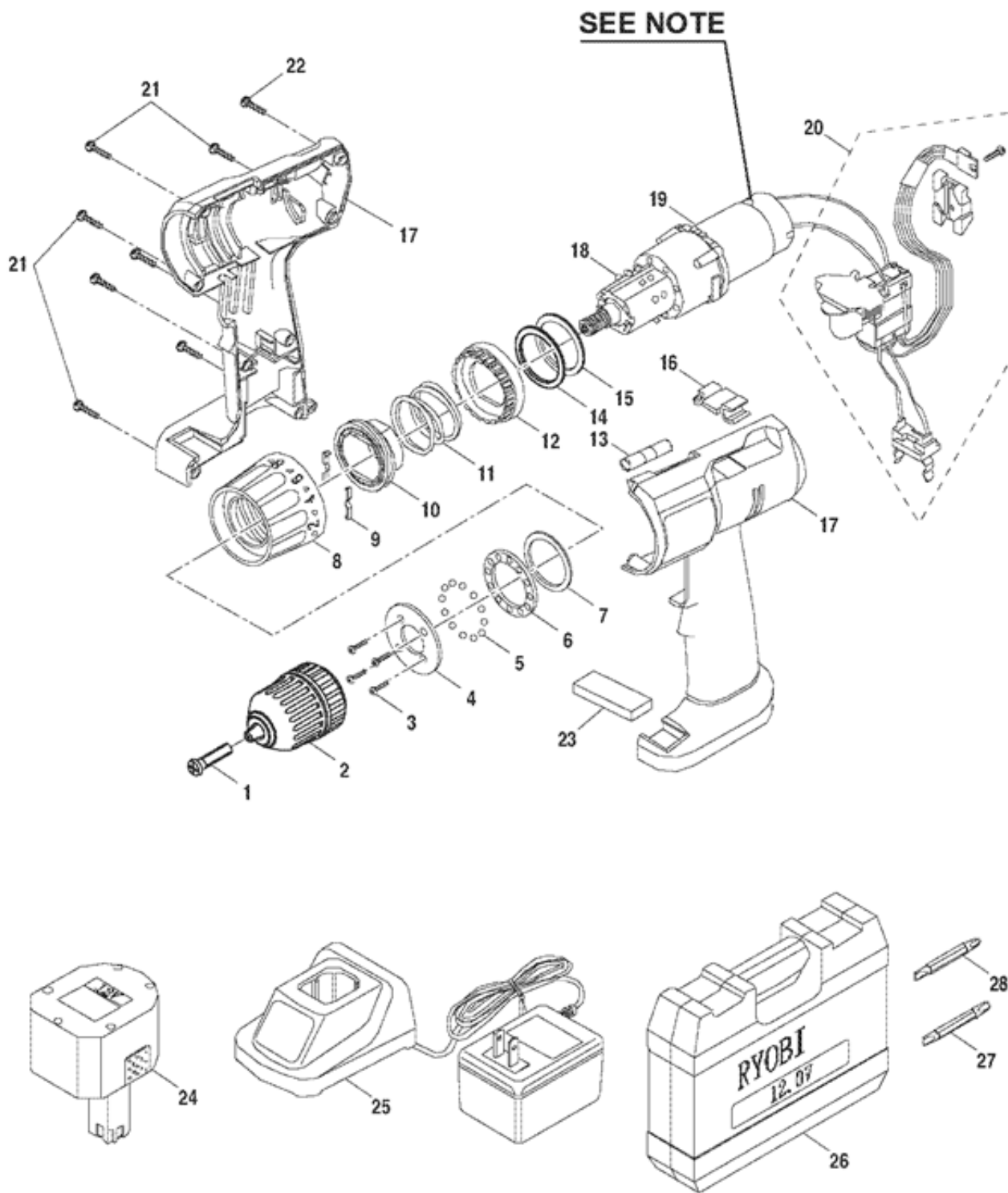


### RYOBI 3/8 in. (10 mm) CORDLESS DRILL-DRIVER – MODEL NUMBER HP1201M



**NOTE:** The assembly shown represents an important part of the double insulated system. To avoid the possibility of alteration or damage to the system, service should be performed by your nearest Ryobi Authorized Service Center. For the service center nearest you call 1-800-525-2579.

<b>Ref #</b>	<b>Part #</b>	<b>Description</b>	<b>Qty</b>	<b>Context Note</b>	<b>Foot Note</b>
1	6612001	SCREW (M5 x 26 mm)	1		
2	6903201	CHUCK	1		
3	6620501	SCREW (M3 x 14 mm)	4		
4	6320801	MOUNTING PLATE	1		
5	6722101	STEEL BALL (3 mm)	8		
6	5267710	BALL HOLDER	1		
7	6759001	WASHER	1		
8	360352001	CLUTCH CAP	1		
9	6320701	SPRING PLATE	2		
10	5267511	SLEEVE	1		
11	6809501	SPRING TORQUE CONTROL	1		
12	530353001	LOCATION CUP	1		
13	3000901	LEVEL ASSEMBLY	1		
14	6711101	WASHER	1		
15	6710501	CLUTCH WASHER	1		
16	5260411	BIT HOLDER	1		
17	985302001	HOUSING ASSEMBLY	1		
18	6722001	STEEL BALL (4 mm)	16		
19	985301001	MOTOR WITH GEAR TRAIN ASSEMBLY	1		
20	290013006	SWITCH ASSEMBLY	1		
21	660206042	SCREW (M3.5 x 16 mm)	7		
22	6620614	SCREW (M3.5 x 14 mm)	1		
23	6856902	MAGNET	1		
24	130111034	BATTERY PACK	2		
25	140111027	CHARGER	1		
26	300377047	CARRYING CASE	1		
27	670820004	DOUBLE BIT	1		
28	6782015	DOUBLE BIT	1		
29	940249001	DATA PLATE	1	(NOT SHOWN)	
30	940043030	LOGO PLATE	1	(NOT SHOWN)	
	972000758	OPERATOR'S MANUAL			