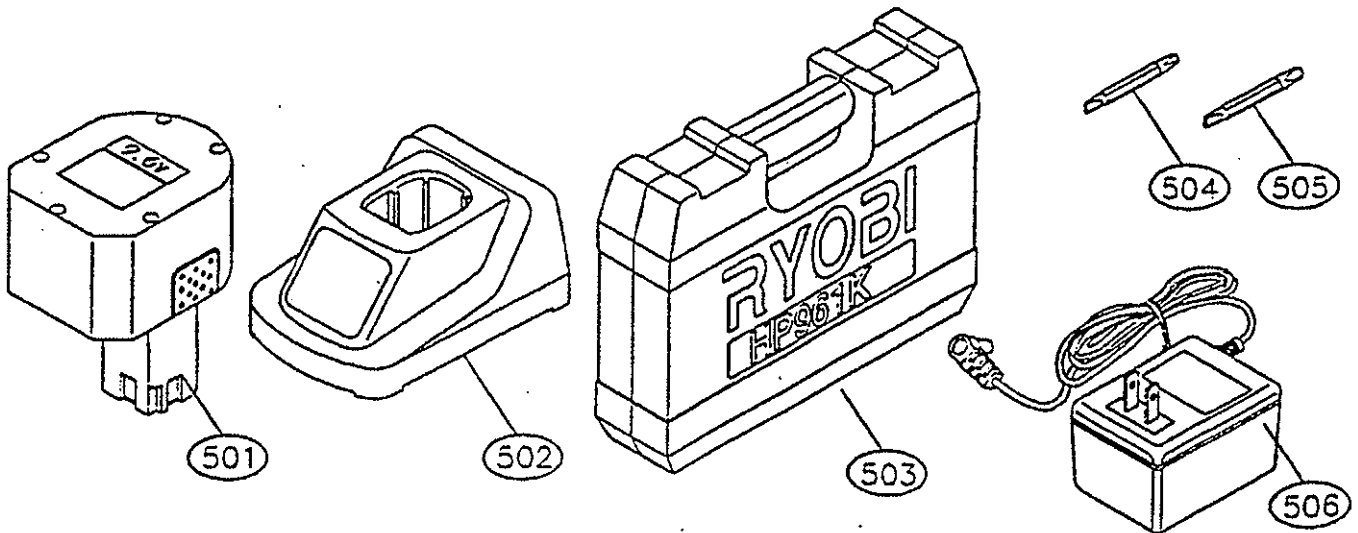
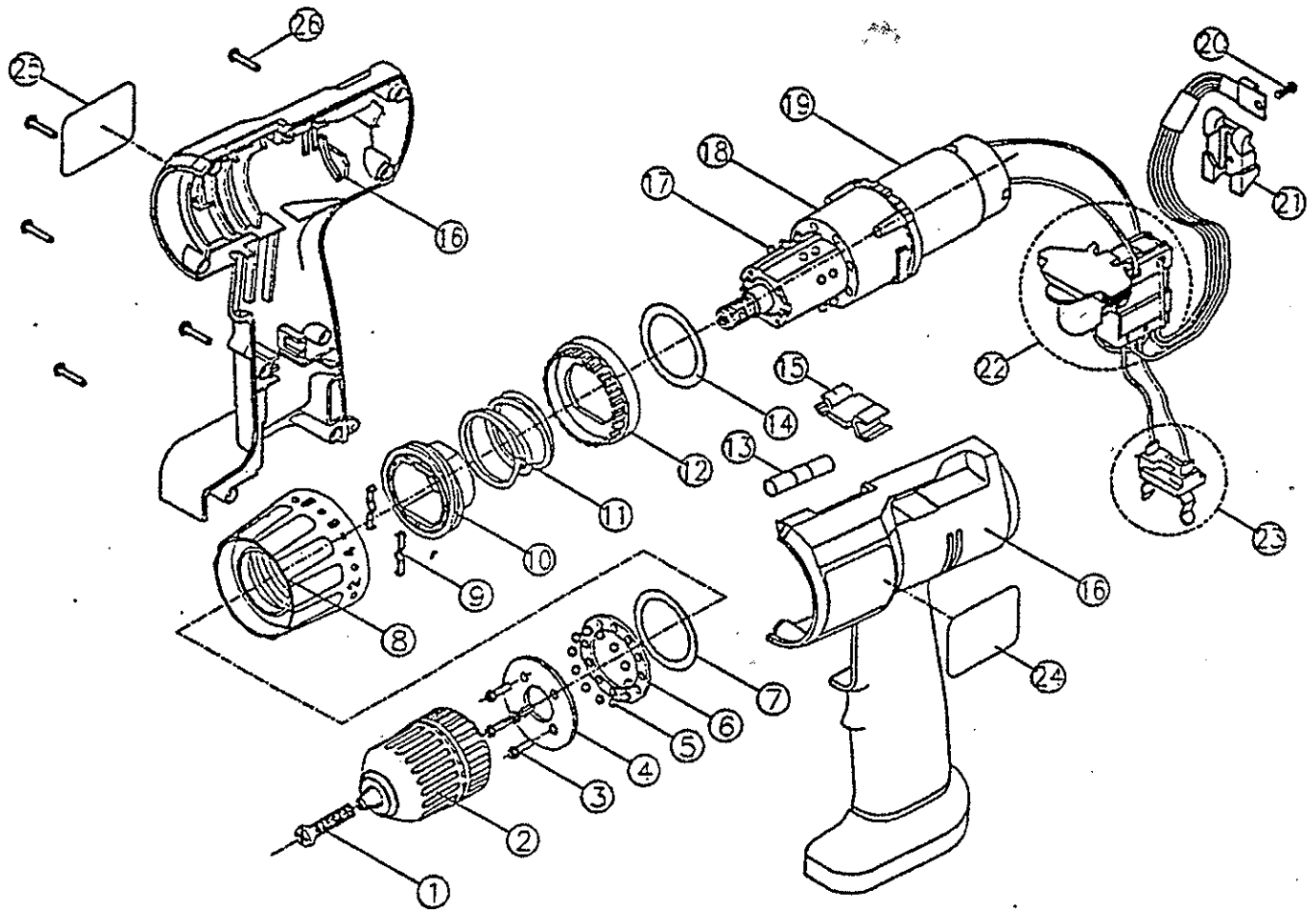


# 9.6V/12V CENTER HANDLE DRILL HP961K/HP1201K



**PARTS LIST FOR AFTER SALES SERVICE  
MODEL HP961K/HP1201K**

REF	PART NO.	DESCRIPTION	QTY	REF	PART NO.	DESCRIPTION	QTY
	1130049	SCREW M5X0.8X26MM	1	STANDARD ACCESSORIES			
	1940015	CHUCK	1	501	1400669B	BATTERY PACK-HP961K	2
3	1130302	SCREW M3X14	4		1400670B	BATTERY PACK-HP1201K	2
4	4900094	MOUNTING PLATE	1	502	981351001	CHARGER ASSY HP961K	1
5	1290021	STEEL BALL 3MM	8		981351002	CHARGER ASSY HP1201K	1
6	4190002	BALL HOLDER, PLASTIC	1	503	4770005	CARRYING CASE-HP961K	1
7	4900095	WASHER	1		4770006	CARRYING CASE-HP1201K	1
8	4900096	CLUTCH CAP	1	504	4240014	DOUBLE BIT PH #2/SLOT#6	1
9	4180026	SPRING PLATE	2	505	4240015	DOUBLE BIT PH #3/SLOT#7	1
10	4900097	PLASTIC SLEEVE	1	506		*SEE SERVICE NOTES*	
11	4180027	TORQUE SPRING	1				
12	4360005	LOCATION CUP, PLASTIC	1		1980096	OPERATOR'S MANUAL	1
13	4950024	LEVELLER ASSY	1				
14	4900099	CLUTCH WASHER	1				
15	4360006	BIT HOLDER, PLASTIC	1				
16	4800034	HOUSING-HP961K	1				
	4800035	HOUSING-HP1201K					
17	4750013	BALL,STEEL 4.0MM	16				
18	4050010	GEAR BOX	1				
19	4030014	MOTOR ASSY-HP961K	1				
	4030015	MOTOR ASSY-HP1201K	1				
20	1130050	STEEL M3X8MM	1				
	4590008	CASTING HEAT SINK	1				
	4550037	SWITCH ASSY	1				
23	4560028	PLATE HOLDER ASSY	1				
24	4910027	BRAND LABEL-HP961K	1				
	4910029	BRAND LABEL-HP1201K	1				
25	4910028	RATING LABEL-HP961K	1				
	4910030	RATING LABEL-HP1201K	1				
26	1130304	SET SCREW M3.5X16MM	8				

1400651  
1400652

**SERVICE NOTES**

The charger stand and adaptor are now hardwired and come complete as a charger assembly. (ref. 502)