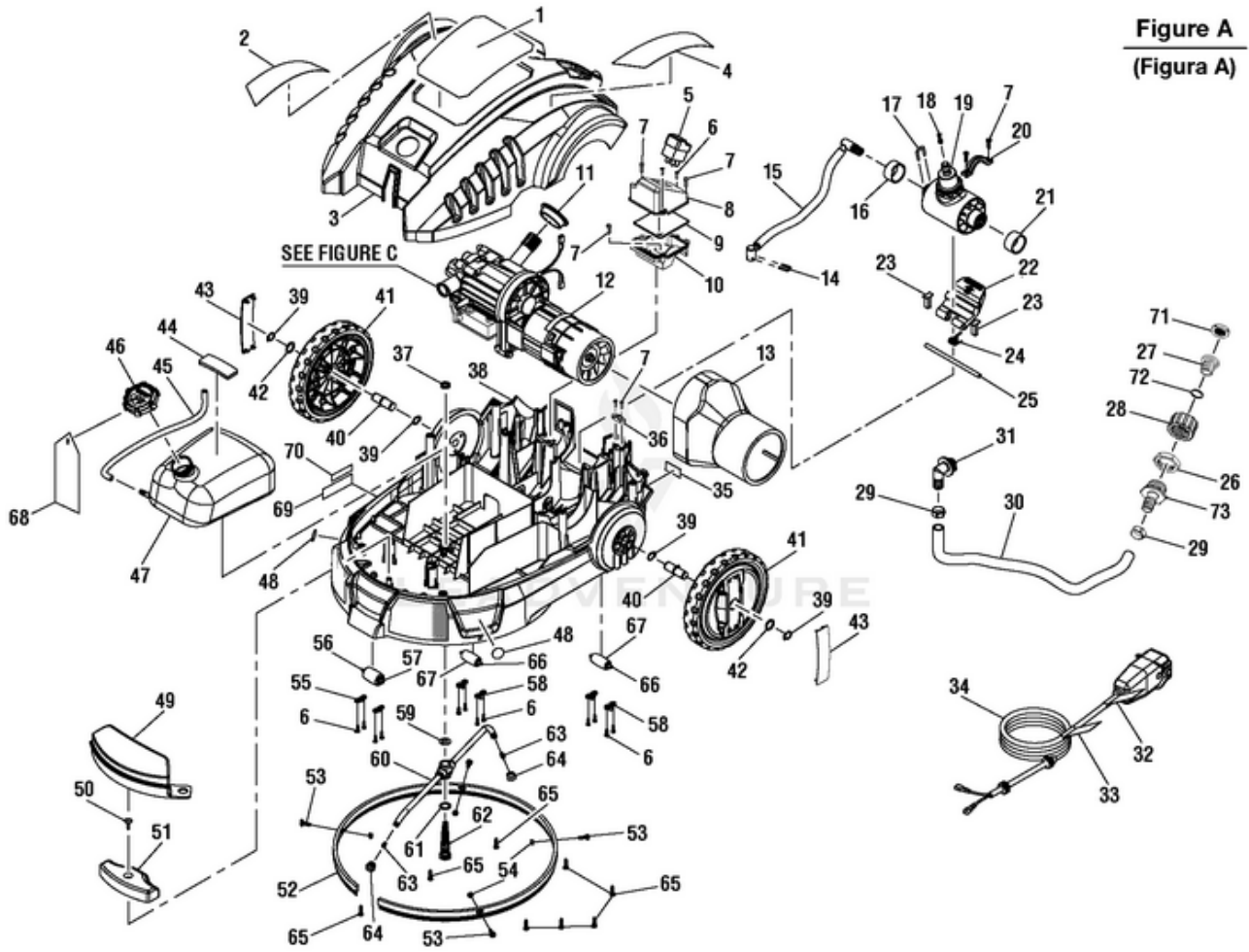


HL80215 Pressure Washer - Figure A

HL80215, HL80215MO

Figure A
(Figura A)



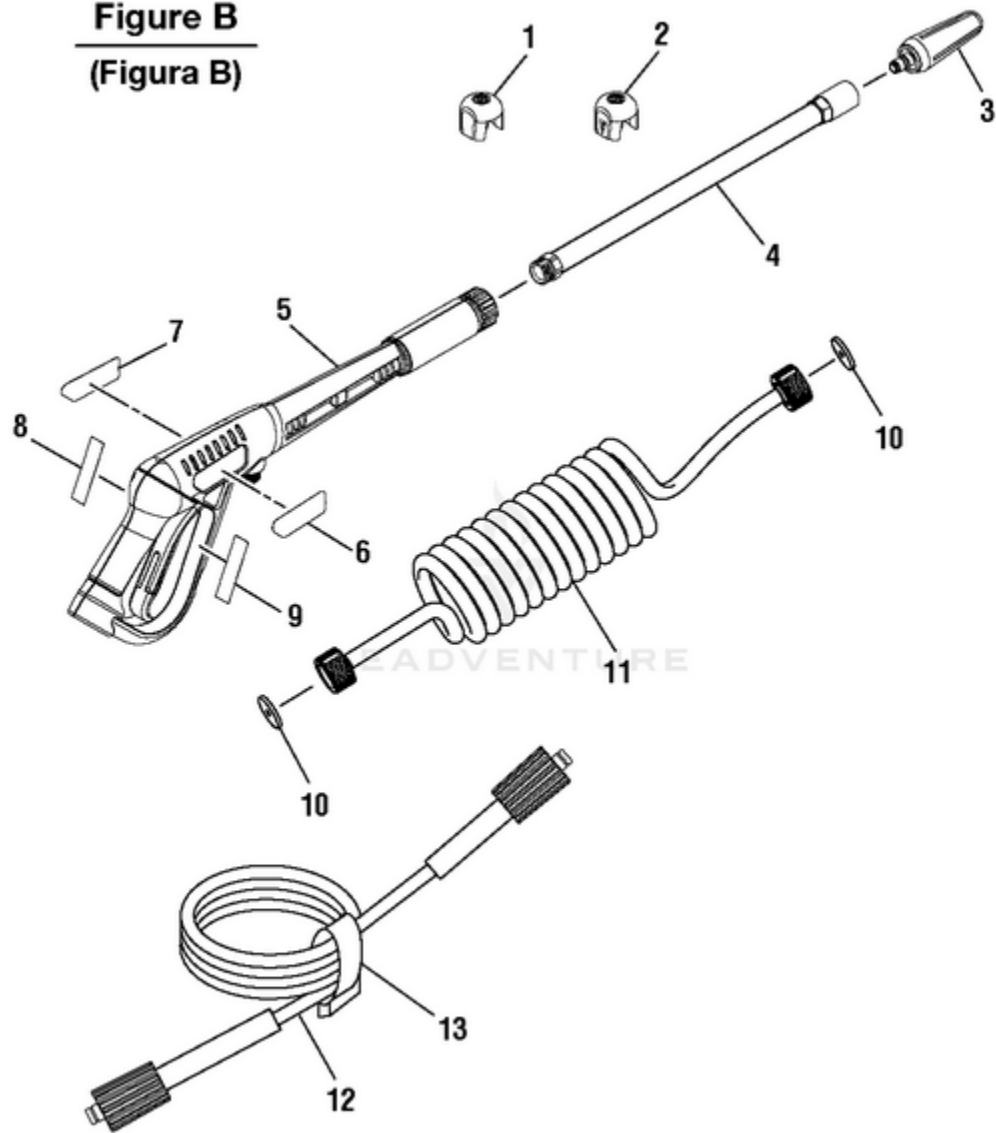
Rendered by LeadVenture, Inc

Ref #	Part #	Description	Qty
1	940779030	Performance Label	1
2	940617061	Quick Start Label	1
3	308999009	Top Housing Assembly (Incl. Key Nos. 1-2 & 4)	1
4	940707020	Warning Label	1
5	36302301AG	Switch	1
6	32210302G	Screw (M3.5 x 12 mm)	14
7	32208302G	Screw (M4.2 x 15 mm)	7
8	34122302G	Switch Box Cover	1
9	34121302G	Switch Box Gasket	1
10	34120302G	Switch Box	1
11	34125302G	Pump Outlet Ring	1
12	308833007	Motor and Pump Assembly	1
13	34101302G	Motor Baffle	1
14	33308302G	U pin (2.5 mm)	1
15	31109302G	High Pressure Hose Assembly	1
16	33237302G	Left Pivot Bushing	1
17	33307302G	U pin (3 mm)	1
18	33232302G	Nipple Filter	1
19	34119302G	Pivot	1
20	33306302G	Pivot Clamp	1
21	33238302G	Right Pivot Bushing	1
22	34127302G	Foot Pedal	1
23	34128302G	Bearing Block	2
24	33909302G	Torsion Spring	1
25	33217302G	Foot Pedal Shaft	1
26	33127302G	Inlet Nut	1
27	34117302G	Inlet Filter	1
28	678886001	Inlet Connector	1
29	33911302G	Hose Clamp	2
30	34902302G	Inlet Hose	1
31	31115302G	Pump Inlet Connector Assembly	1
32	940604001	Proposition 65 Label (CA)	1
33	940324013	Warning Label (UL)	1
34	31116302G	Power Cord Assembly (Incl. Key Nos. 32-33)	1
35	940678130	Data Label	1
	940678126	Data Label	1
36	3410801G	Cord Clamp	1
37	32910302G	Spindle Nut (M10)	1
38	31120302G	Lower Housing Assembly (Incl. Key Nos. 35 & 48)	1
39	32905302G	Retaining Ring	4
40	33216302G	Wheel Axle	2
41	31113302G	Wheel Assembly	2
42	32906302G	Washer	2

Ref #	Part #	Description	Qty
43	310420001	Wheel Logo	2
44	34147302G	Detergent Tank Pad	1
45	34901302G	Detergent Hose	1
46	34124302G	Detergent Tank Cap	1
47	34129302G	Detergent Tank	1
48	940507002	Foot/Hand Caution Label	2
49	34126302G	Lift Handle	1
50	32211302G	Screw (M4 × 16 mm)	1
51	33903302G	Balast Weight	1
52	34903302G	Brush	1
53	32206302G	Screw (M4 x 12 mm)	4
54	32901261G	Lock Nut (M4)	4
55	34141302G	Front Roller Clamp	2
56	33229302G	Front Roller Axle	1
57	34140302G	Front Roller	1
58	34142302G	Rear Roller Clamp	4
59	34144302G	Upper Spinner Bushing	1
60	31117302G	Spinner Assembly	1
61	34145302G	Lower Spinner Bushing	1
62	31118302G	Spindle Assembly	1
63	31119302G	Spinner Nozzle Assembly	2
64	33235302G	Spinner Nozzle Holder	2
65	32209302G	Screw (M4.2 × 18 mm)	8
66	33230302G	Rear Roller Axle	2
67	34143302G	Rear Roller	2
68	940971051	Danger Hangtag	1
69	940707033	Outdoor Use Label (French)	1
70	940518003	Danger Label (French)	1
71	678981001	Water Inlet Filter	1
72	570768004	O-Ring (13.5 x 1.8G)	1
73	310423001	Hose Connector	
	987000878	Operator's Manual	1
	987000890	Operator's Manual	1

HL80215 Pressure Washer - Figure B

Figure B
(Figura B)

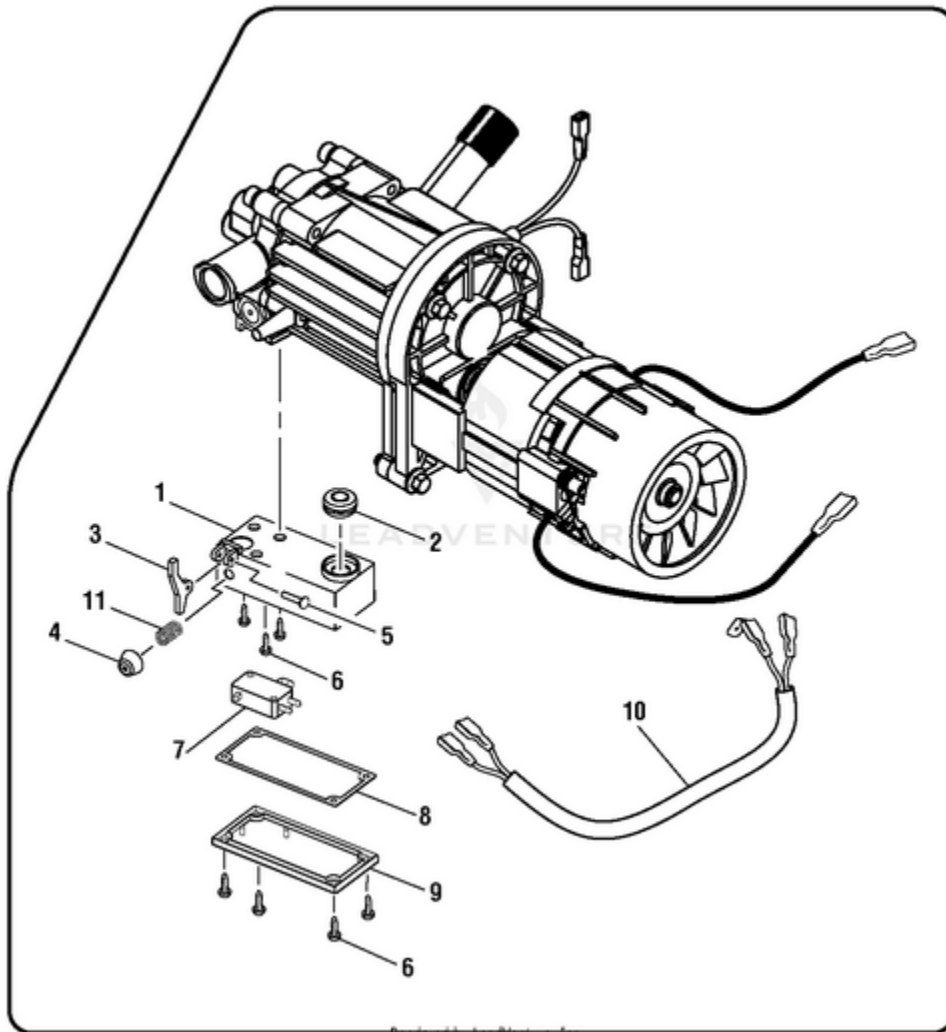


Rendered by LeadVenture, Inc.

Ref #	Part #	Description	Qty
1	31201302G	Soap Nozzle	1
2	31214302G	High Pressure Nozzle	1
3	31201301G	Turbo Nozzle	1
4	31207302G	Wand Assembly	1
5	31212302G	Trigger Handle Assembly	1
6	940705088	Wand Logo Label	1
7	940654083	Wand Warning Label	1
8	940779008	Wand Rating Label	1
9	940654089	Wand Warning Label (French/Spanish)	1
10	31218302G	Rubber Washer	2
11	31210302G	Coil Hose	1
12	31209302G	Wand Hose	1
13	34904302G	Hose Strap	1

HL80215 Pressure Washer - Figure C

Figure C
(Figura C)



Rendered by EcooVenture, Inc.

Ref #	Part #	Description	Qty
1	34110302G	Switch Box	1
2	34220302G	Grommet	1
3	33303302G	Stop Switch Lever	1
4	34219302G	Switch Box Seal	1
5	33204302G	Stop Switch Lever Pin	1
6	32202301G	Screw (2.9 x 10 mm)	7
7	36301301G	Stop Switch	1
8	34221302G	Switch Box Gasket	1
9	34111302G	Switch Box Cover	1
10	36401302G	Stop Switch Wiring Harness Assembly	1
11	33912301G	Compression Spring	1