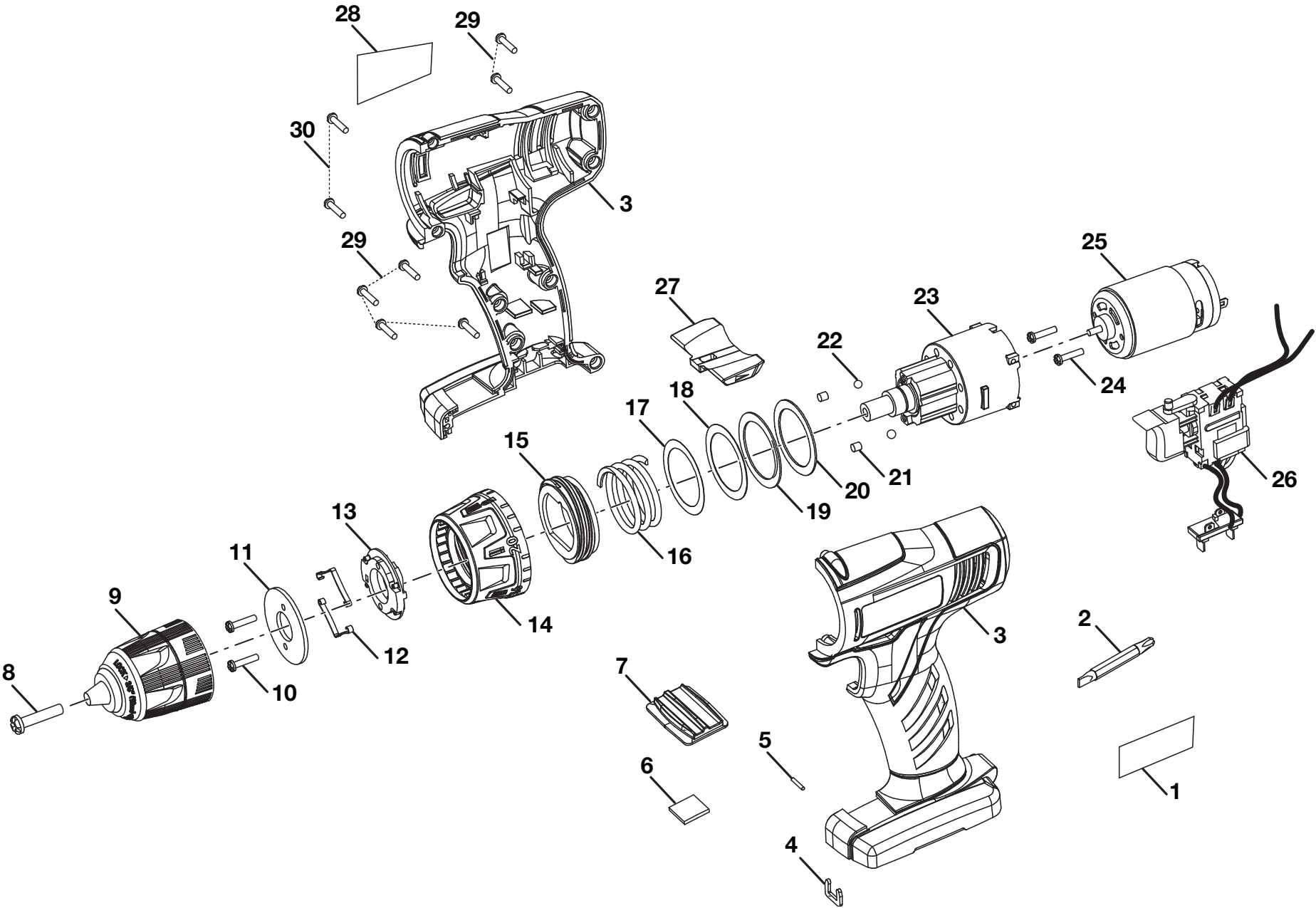


RYOBI 12 VOLT, 3/8 in. DRILL REVERSIBLE – MODEL NUMBER HJP002



RYOBI 12 VOLT, 3/8 in. DRILL REVERSIBLE – MODEL NUMBER HJP002

The model number will be found on a label attached to the motor housing. Always mention the model number in all correspondence regarding your **12 VOLT, 3/8 in. DRILL REVERSIBLE** or when ordering parts.

PARTS LIST

KEY NO.	PART NUMBER	DESCRIPTION	QTY	KEY NO.	PART NUMBER	DESCRIPTION	QTY
1	940114178	Logo Label.....	1	19	690011012	Washer Ring (OD 39.5 x ID 30.5 x 0.3 mm)..	1
2	6782045	Double Ended Bit (#2 Phillips Head/#6 Slotted x 50 mm)	1	20	670105006	Washer Ring (OD 39.5 x ID 30.5 x 1.2 mm)..	1
3	201154001	Housing Assembly	1	21	6843505	Clutch Pin (Ø4 x 4 mm).....	8
4	632340001	Housing Clip	1	22	6722001	Ball (Ø4.0 mm)	8
5	632341001	Spring Pin	1	23	220009136	Gear Box Assembly	1
6	671479004	Magnet.....	1	24	6621106	Screw (M3 x 6 mm).....	2
7	561964001	Bit Holder.....	1	25	230006008	Motor Assembly.....	1
8	6612002	Screw (M5 x 26 mm).....	1	26	270001455	Switch Assembly	1
9	690033085	Chuck.....	1	27	516750001	Forward/Reverse Button.....	1
10	660203059	Screw (M3 x 20 mm).....	2	28	940976521	Data Label.....	1
11	630871007	Mounting Plate (Clutch Cap).....	1	29	660570004	Screw (M3 x 14 mm).....	6
12	630922008	Spring	2	30	661047002	Screw (M2.6 x 14 mm).....	2
13	519338001	Spring Holder.....	1	Not Shown:			
14	340337001	Clutch Cap.....	1	140109009	Charger.....	1	
15	5501402	Sleeve	1	130503005	Battery Pack.....	1	
16	6894301	Torque Control Spring.....	1	902033003	Tool Bag	1	
17	690011007	Washer Ring (OD 40.5 x ID 30.5 x 0.1 mm)..	1	987000533	Operator's Manual (961067212)		
18	690011006	Washer Ring (OD 40.5 x ID 30.5 x 0.2 mm)..	1	4-17-12 (REV:03)			