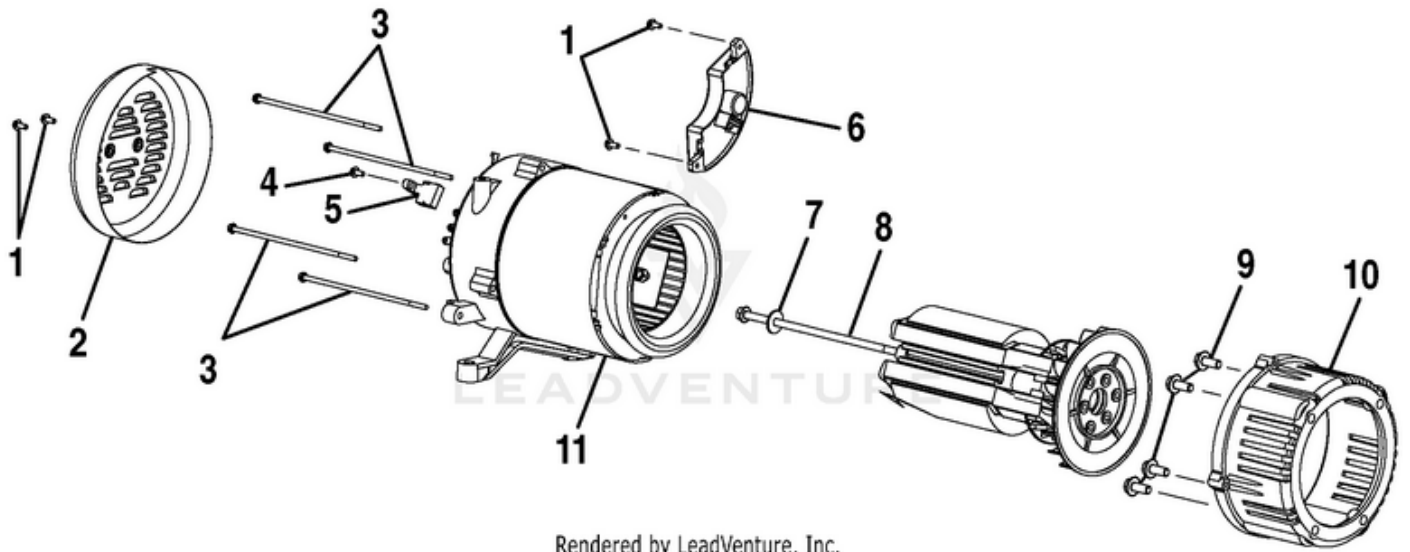


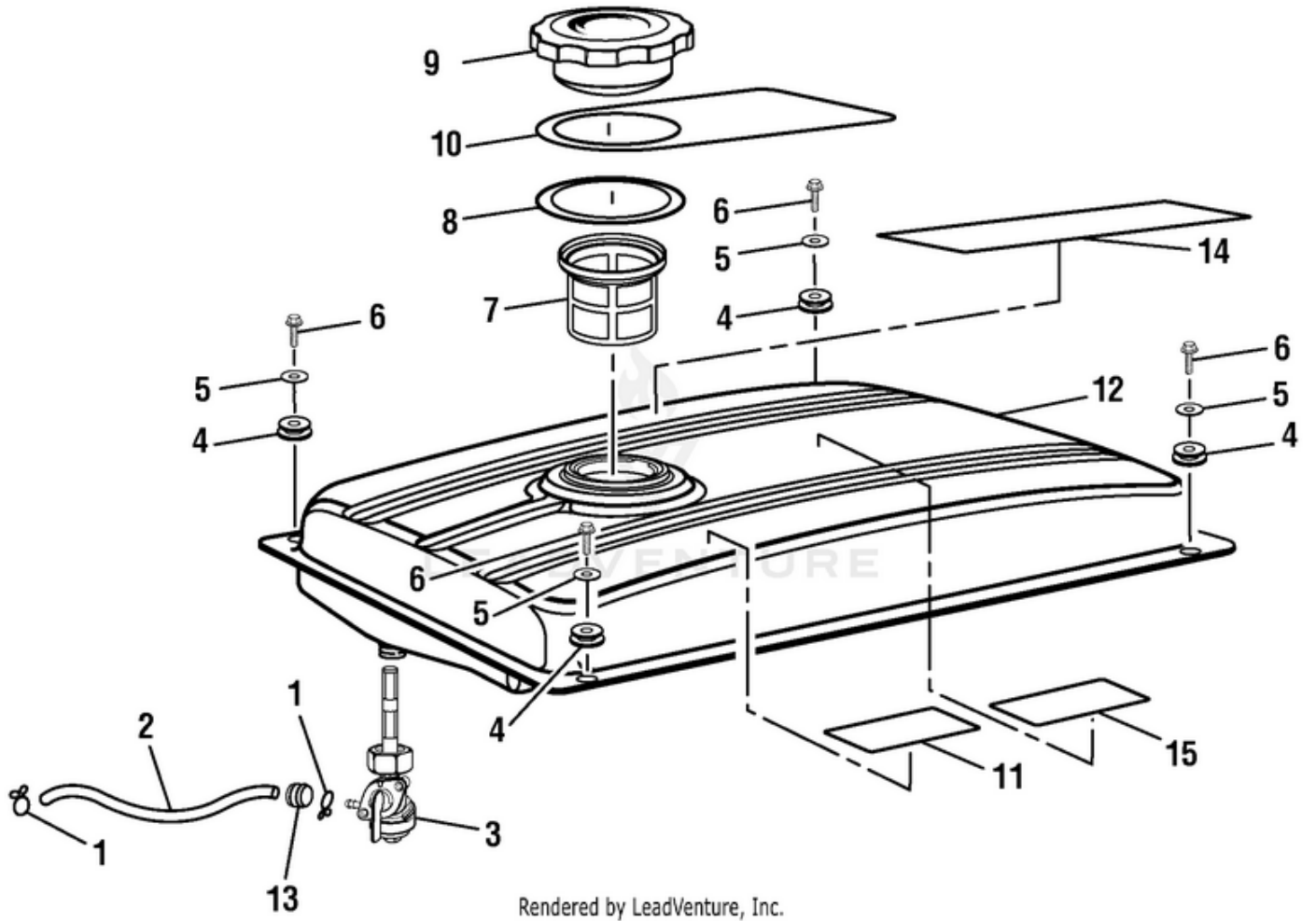
HGCA4500 Series 4500 Watt Generator - Figure A



Rendered by LeadVenture, Inc.

Ref #	Part #	Description	Qty	Context Note
	310227053	Generator Head Assembly	1	(Incl. Key Nos. 1-10)
1	661603005	Bolt (M5 x 14 mm)	2	
2	678296003	Brush Cover	1	
3	660972010	Bolt (M6 x 175 mm)	4	
4	660938005	Bolt (M5 x 18 mm, Brush Assembly)	1	
5	290441003	Brush Assembly	1	
6	290440004	Automatic Voltage Regulator	1	
7	678389002	Washer (M5)	1	
8	660971003	Bolt (M10 x 270 mm)	1	
9	660596002	Bolt (3/8-18 x 1-1/4 in.)	4	
10	640331003	Engine Adapter	1	
11	638545002	Stator Cover	1	

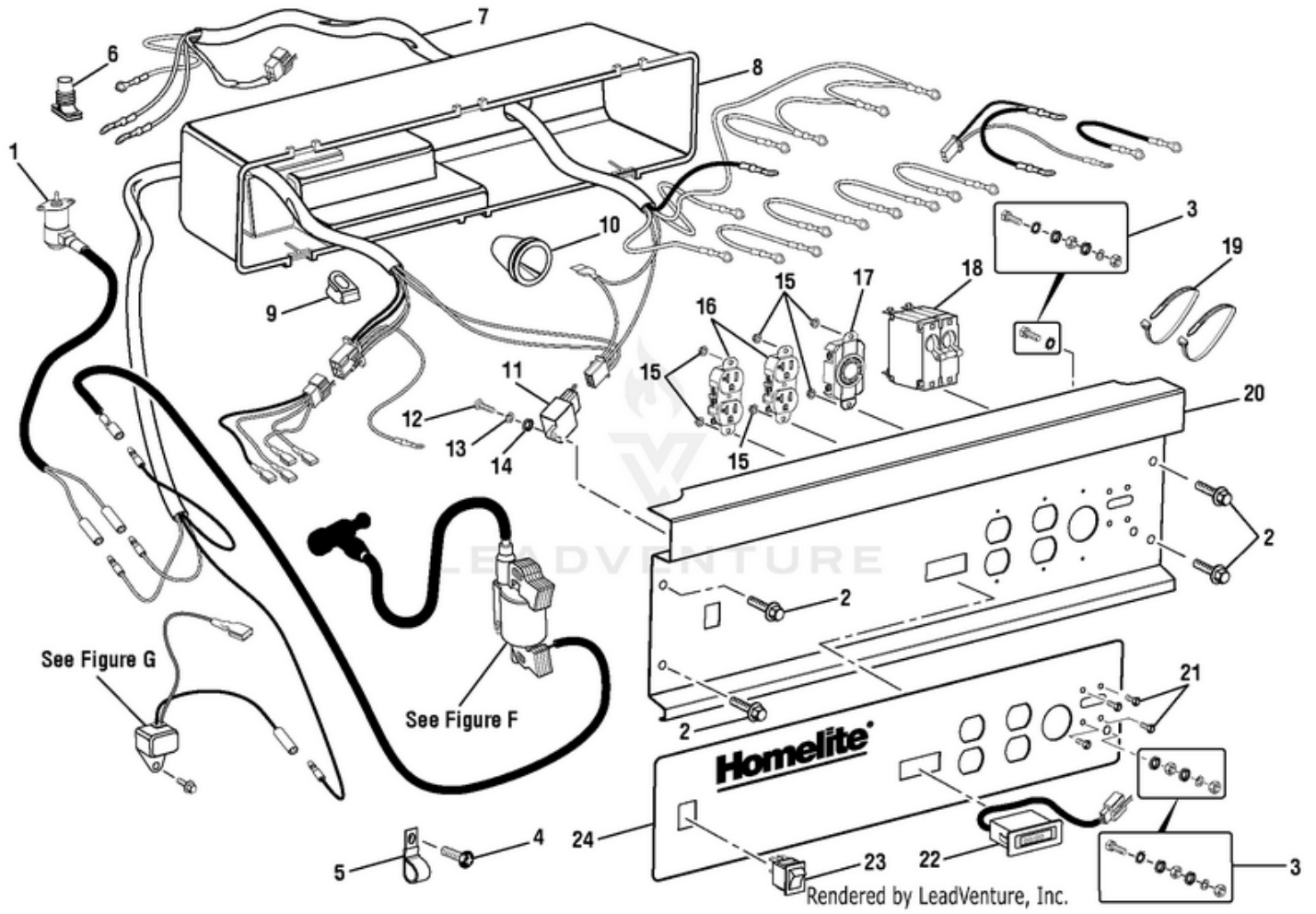
HGCA4500 Series 4500 Watt Generator - Figure B



Rendered by LeadVenture, Inc.

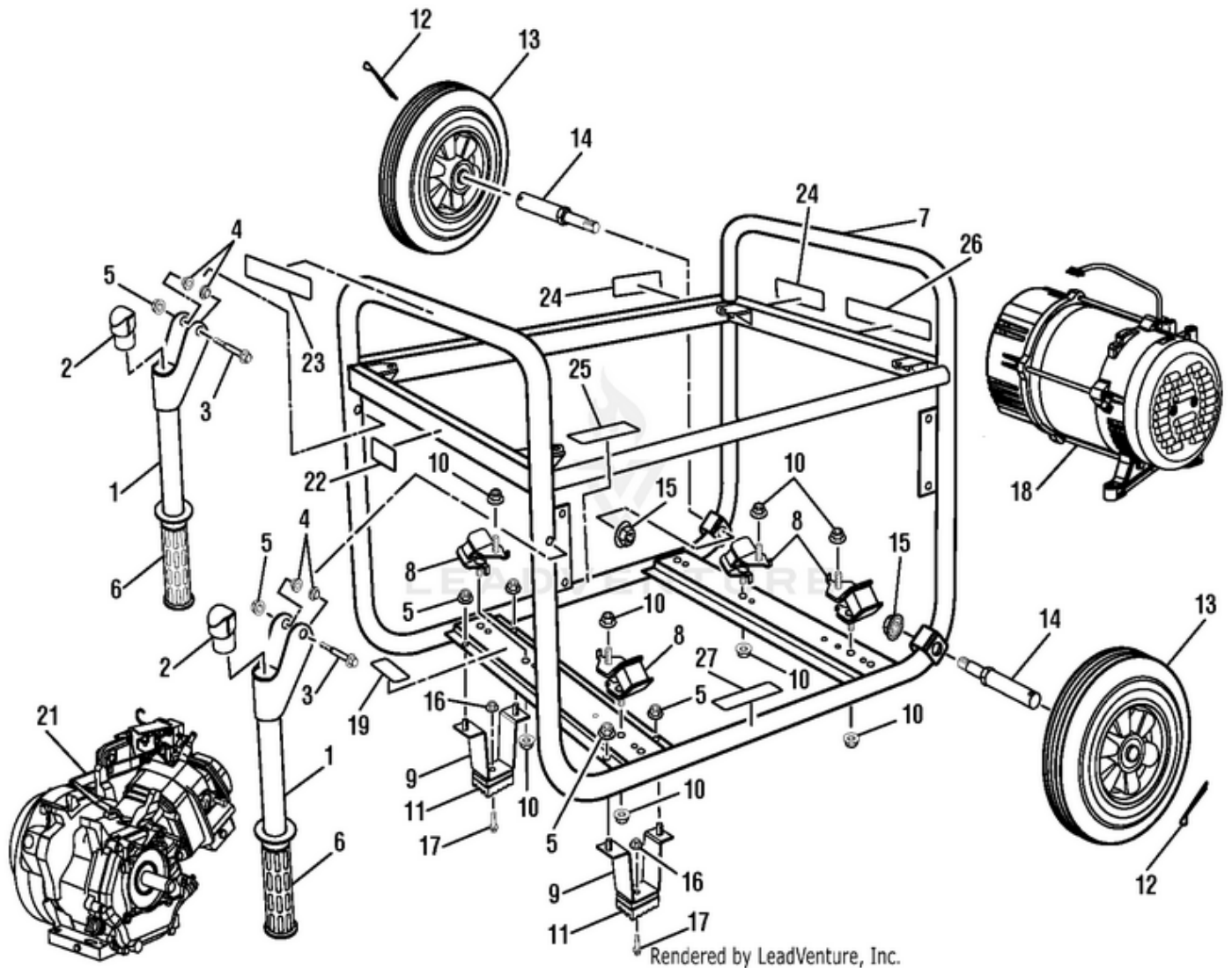
Ref #	Part #	Description	Qty	Context Note
	310711054	Fuel Tank Assembly	1	(Incl. Key Nos. 1-14)
1	678408008	Fuel Line Clamp	2	
2	570358024	Fuel Line Hose	1	
3	519711003	Fuel Valve Assembly	1	
4	310225001	Bushing w/Insert	4	
5	678370004	Washer (M6)	4	
6	660972008	Bolt (M6 x 25 mm, Flange Hd.)	4	
7	519710003	Fuel Tank Screen	1	
8	570740007	Gasket (Fuel Cap)	1	
9	310720013	Fuel Cap Assembly	1	
10	940971047	Engine Warning Hang Tag	1	
11	940515016	CPSC (English) Label	1	
12	580448006	Fuel Tank	1	
13	561383006	Grommet (Fuel Line)	1	
14	940707013	Danger Label	1	
15	940872001	E85 Label	1	
	120306001	Fuel Gauge Kit	1	Not Shown
	120302003	Fastener Kit	4	(Incl. Key Nos. 4-6), Not Shown

HGCA4500 Series 4500 Watt Generator - Figure C



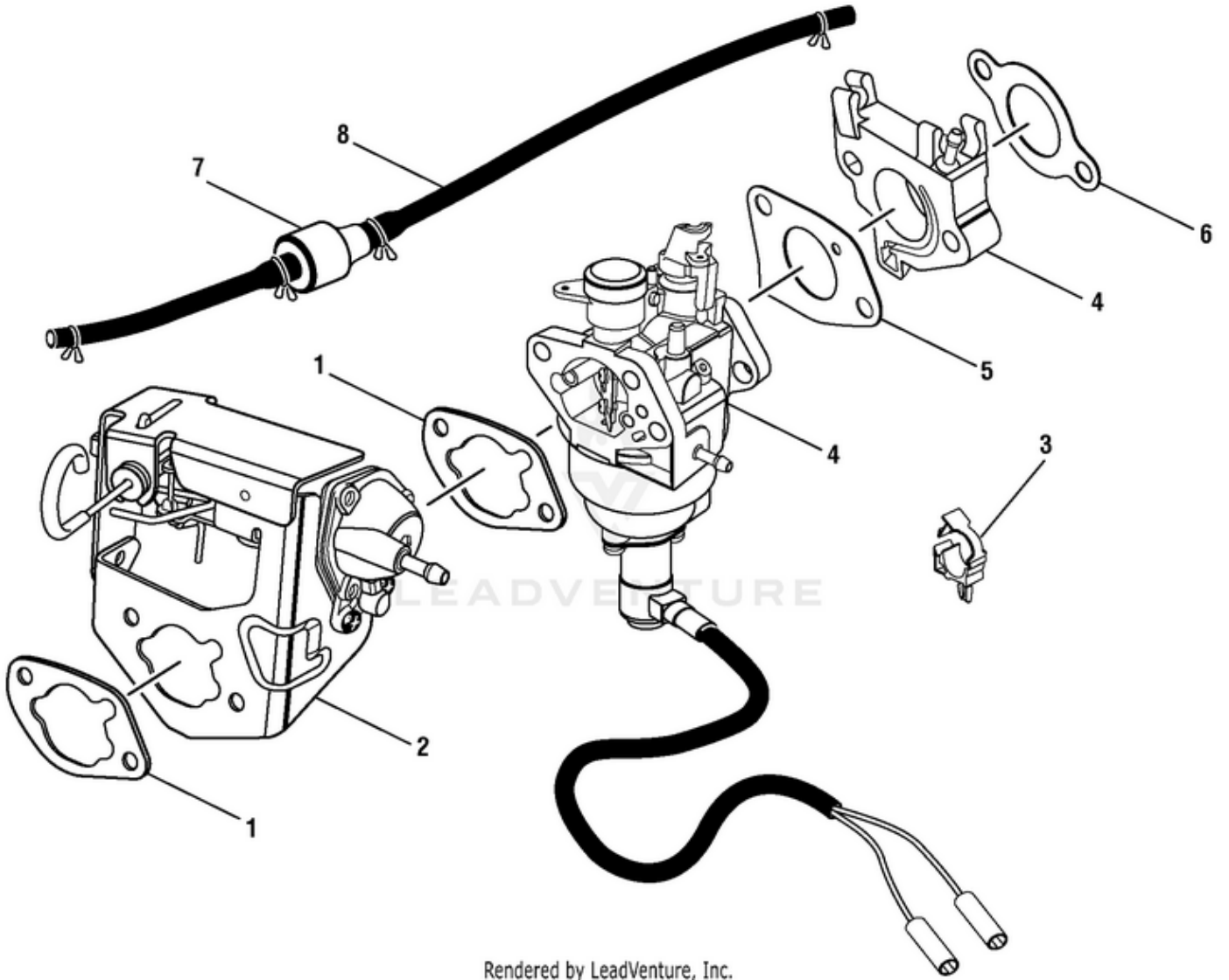
Ref #	Part #	Description	Qty	Context Note
	310714013	Control Panel Assembly	1	
1	290600001	Fuel Valve Solenoid	1	
2	660972009	Bolt (M6 x 16 mm)	4	
3	310395001	Ground Terminal Assembly	1	
4	660481006	Screw (M6 x 12 mm)	1	
5	678815006	Wire Clamp	1	
6	570423001	Boot, Square	1	
7	290493001	Wiring Harness Assembly	1	
8	519813005	Cover, Control Panel Box	1	
9	570422001	Boot, Switch Wire	1	
10	570424001	Boot, Round	1	
11	840270001	Diode Assembly	1	
12	661403001	Screw (M4 x 15 mm)	1	
13	678600004	Lock Washer (M4)	1	
14	678600005	Washer (M4)	1	
15	678827001	Hex Nut (M4)	6	
16	290491001	120 V/ 20amp Duplex Receptacle	2	
17	290401003	220 V/ 30amp Twist Lock Receptacle	1	
18	780351011	Circuit Breaker, 2 pole 25 amp	1	
19	678819002	Tie Wrap	2	
20	638700016	Control Panel	1	
21	660914003	Screw (M3 x 6 mm)	4	
22	290492001	Meter	1	
23	760700005	Ignition Switch	1	
24	940779026	Performance/Power Outlet Label	1	
	661403002	Screw (M4 x 10 mm)	6	Not Shown

HGCA4500 Series 4500 Watt Generator - Figure D



Ref #	Part #	Description	Qty	Context Note
1	310224016	Handle Bar Assembly	2	(Incl. Key No. 6)
2	570425001	Handle Bar Plug	2	
3	661505010	Bolt (M8 x 45 mm)	2	
4	638326003	Handle Bar Insert	4	
5	678355005	Nut (M8)	6	
6	570371004	Handle Grip	2	
7	310222013	Frame	1	
8	570356004	Motor Mount	4	
9	638706007	Foot Bracket	2	
10	678457007	Nut (M10)	8	
11	570355003	Rubber Foot	2	
12	678522010	Cotter Pin (3 mm)	2	
13	310223004	Wheel (10 in.)	2	
14	620599012	Axle	2	
15	678833001	Nut (M12, Flange Hd.)	2	
16	678610004	Flange Nut (M6)	2	
17	660972008	Screw (M6 x 25)	2	
18	310227053	Generator Head Assembly	1	
19	940678042	Data Label	1	
20	940513017	Ground Label	1	
21	099958001600	Engine	1	
22	941494003	Fuel Valve Label	1	
23	940974007	Fire Danger Label	1	
24	940680034	Hot Surface Warning Label	2	
25	940947003	Combustion Warning Label	1	
26	940513001	Ground Warning Label	1	
27	940708007	Lubricant Label	1	

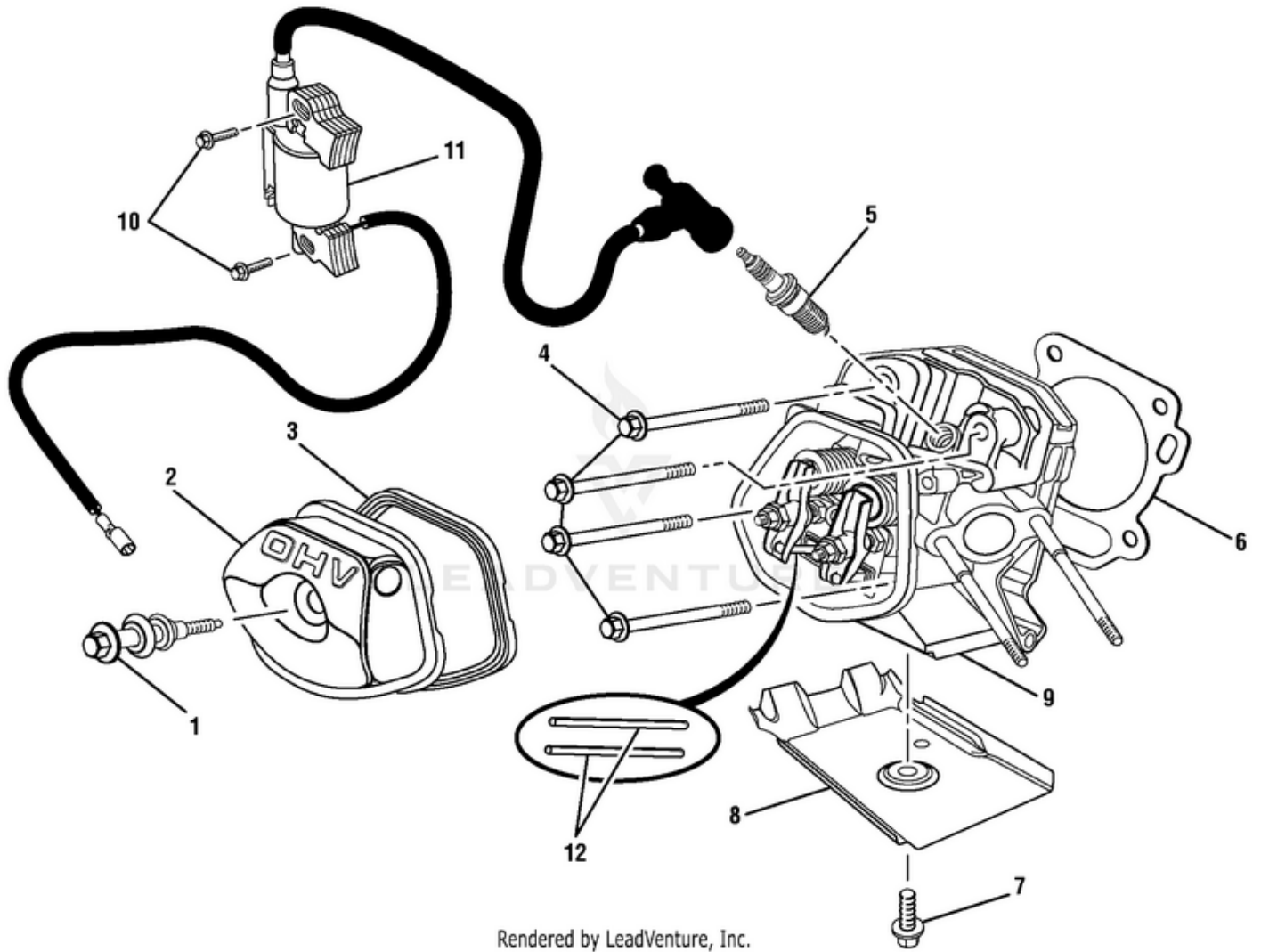
HGCA4500 Series 4500 Watt Generator - Figure E



Rendered by LeadVenture, Inc.

Ref #	Part #	Description	Qty	Context Note
1	099958001024	Air Cleaner Gasket	2	
2	099958001708	Choke Assembly	1	
3	099958001026	Fuel Line Clamp (Holder)	1	
4	099958001707	Carburetor Assembly	1	
5	099958001022	Carburetor Gasket	1	
6	099958001023	Carburetor Inlet Gasket	1	
7	099958001025	Check Valve	1	
8	099958001709	Check Valve Assembly	1	(Incl. Key No. 7)

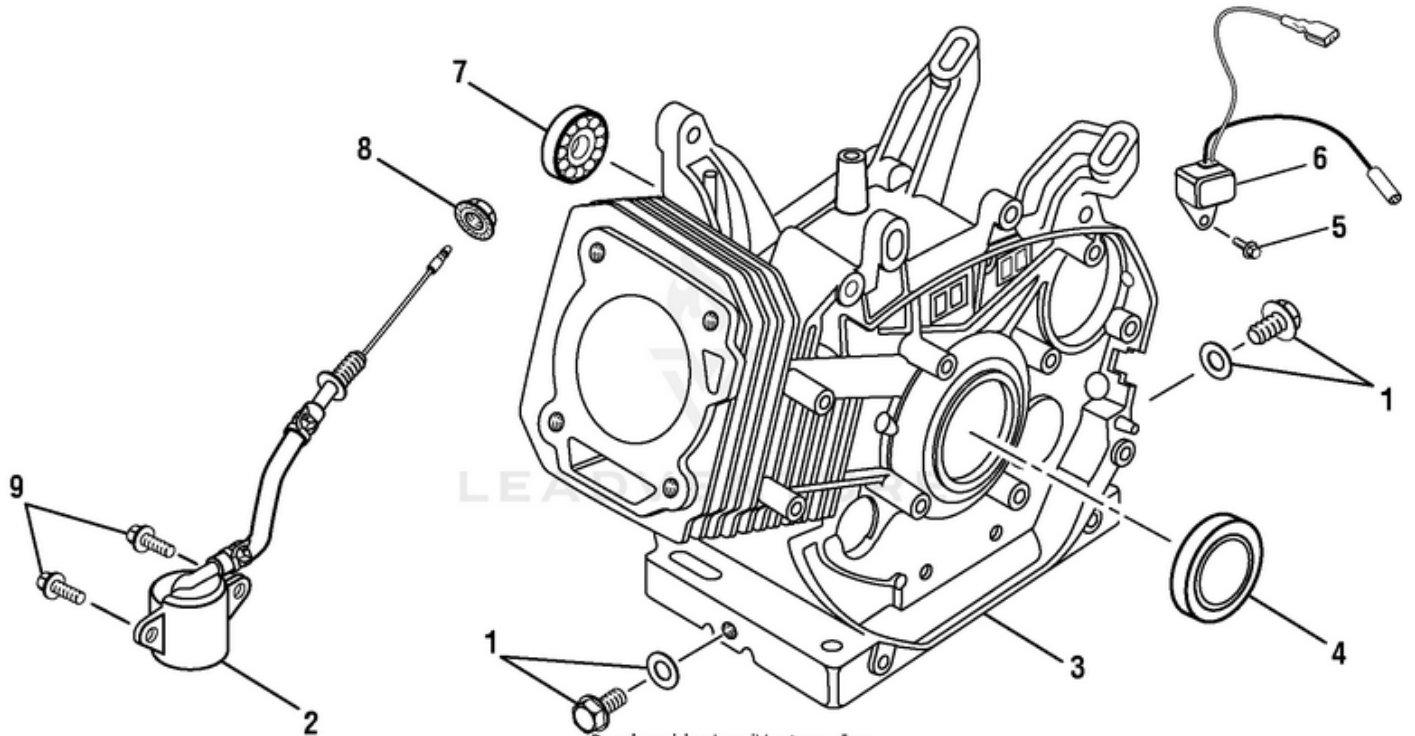
HGCA4500 Series 4500 Watt Generator - Figure F



Rendered by LeadVenture, Inc.

Ref #	Part #	Description	Qty	Context Note
1	099958001706	Bolt Assembly (Valve Cover)	1	
2	099958001015	Valve Cover	1	
3	099958001016	Valve Cover Gasket	1	
4	099958001018	Bolt (M10 x 80 mm, Cylinder Head)	4	
5	099958001014	Spark Plug (Champion F7TC).	1	
6	099958001017	Cylinder Head Gasket	1	
7	099958001020	Bolt (M6 x 12 mm, Flange Hd.)	1	
8	099958001019	Lower Cover (Cylinder Head).	1	
9	099958001705	Cylinder Head Assembly	1	(Incl. Key Nos. 1-8)
10	099958001037	Bolt (M6 x 30)	2	
11	099958001712	Ignition Coil Assembly	1	
12	099958001021	Push Rod	2	

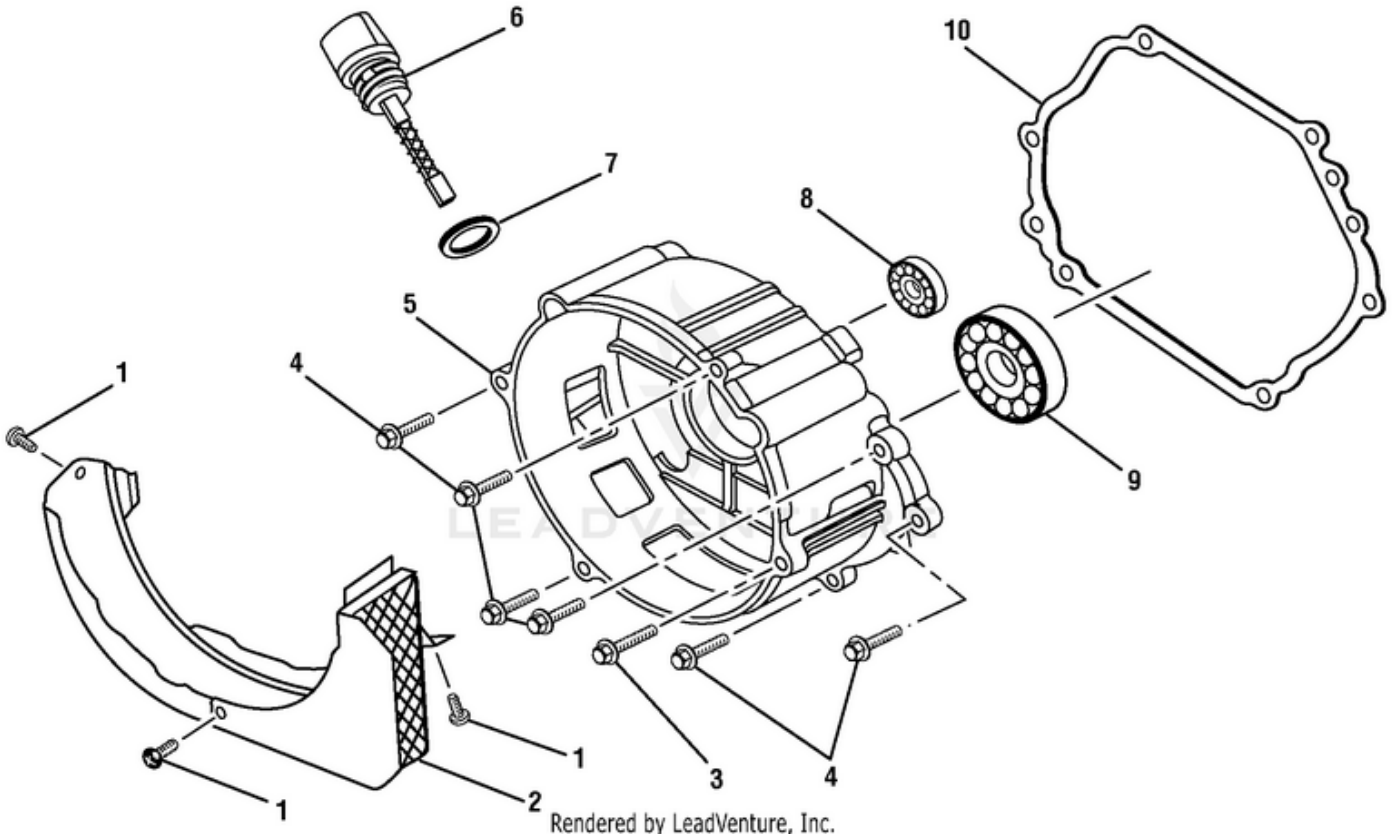
HGCA4500 Series 4500 Watt Generator - Figure G



Rendered by LeadVenture, Inc.

Ref #	Part #	Description	Qty	Context Note
1	099958001701	Drain Plug Assembly	2	
2	099958001702	Oil Sensor Assembly	1	
3	099958001700	Short Block Cover Assembly w/Crankcase	1	
4	099958001001	Oil Seal (35 mm x 52 mm x 8 mm)	1	
5	099958001003	Bolt (M6 x 12 mm Flange Hd.)	1	
6	099958001002	Amplifier	1	
7	099958001004	Ball Bearing (6202)	1	
8	099958001005	Flange Nut (M10)	1	
9	099958001006	Bolt (M6 x 16 mm, Flange Hd.)	2	

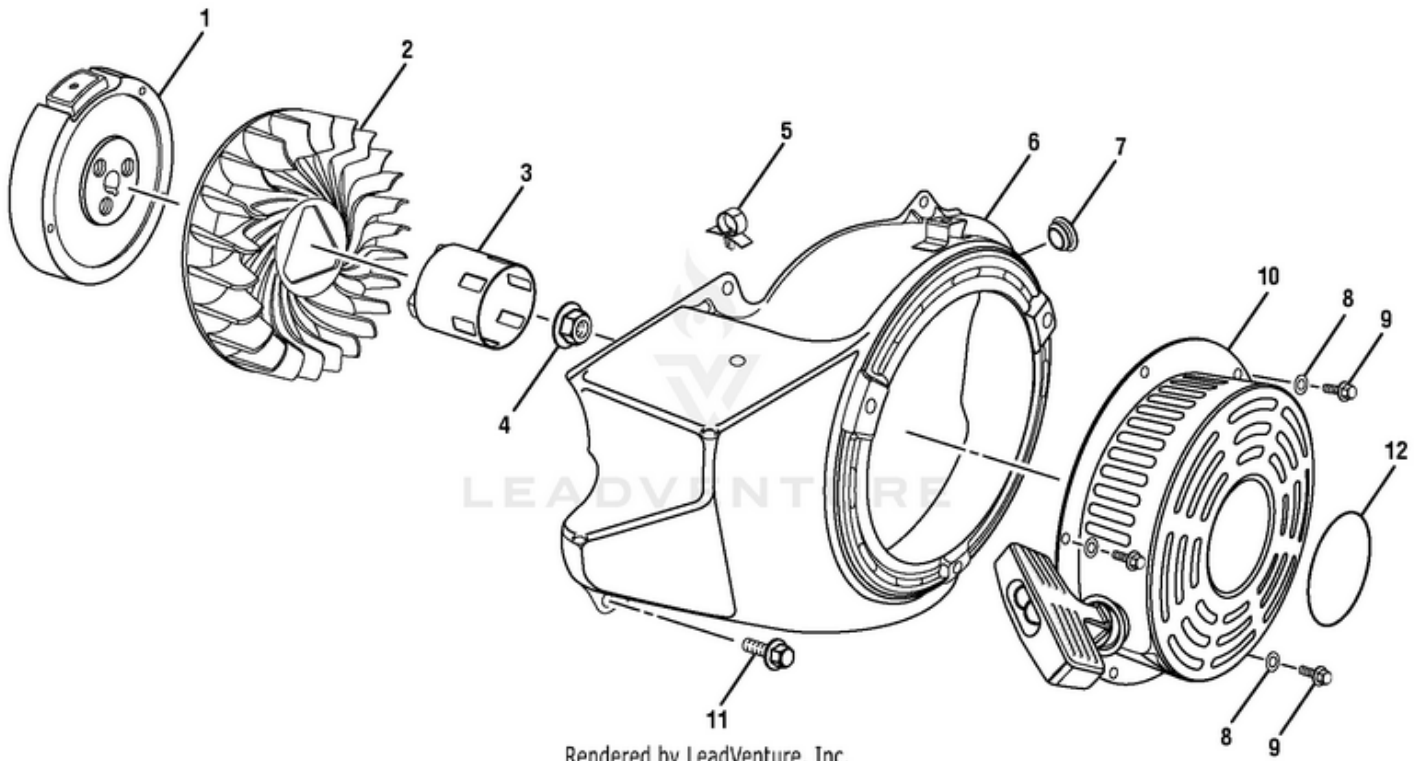
HGCA4500 Series 4500 Watt Generator - Figure H



Rendered by LeadVenture, Inc.

Ref #	Part #	Description	Qty	Context Note
1	099958001011	Bolt (M5 x 12 mm, Flange Hd.)	3	
2	099958001009	Guard Cover (Crankcase)	1	
3	099958001013	Bolt (M8 X 40 mm)	1	
4	099958001012	Bolt (M8 X 35 mm)	6	
5	099958001703	Crankcase Cover Assembly	1	
6	099958001704	Dipstick Assembly	1	(Incl. Key No. 7)
7	099958001007	Gasket (Dipstick)	1	
8	099958001004	Ball Bearing (6202)	1	
9	099958001010	Ball Bearing (6207)	1	
10	099958001008	Gasket (Crankcase)	1	

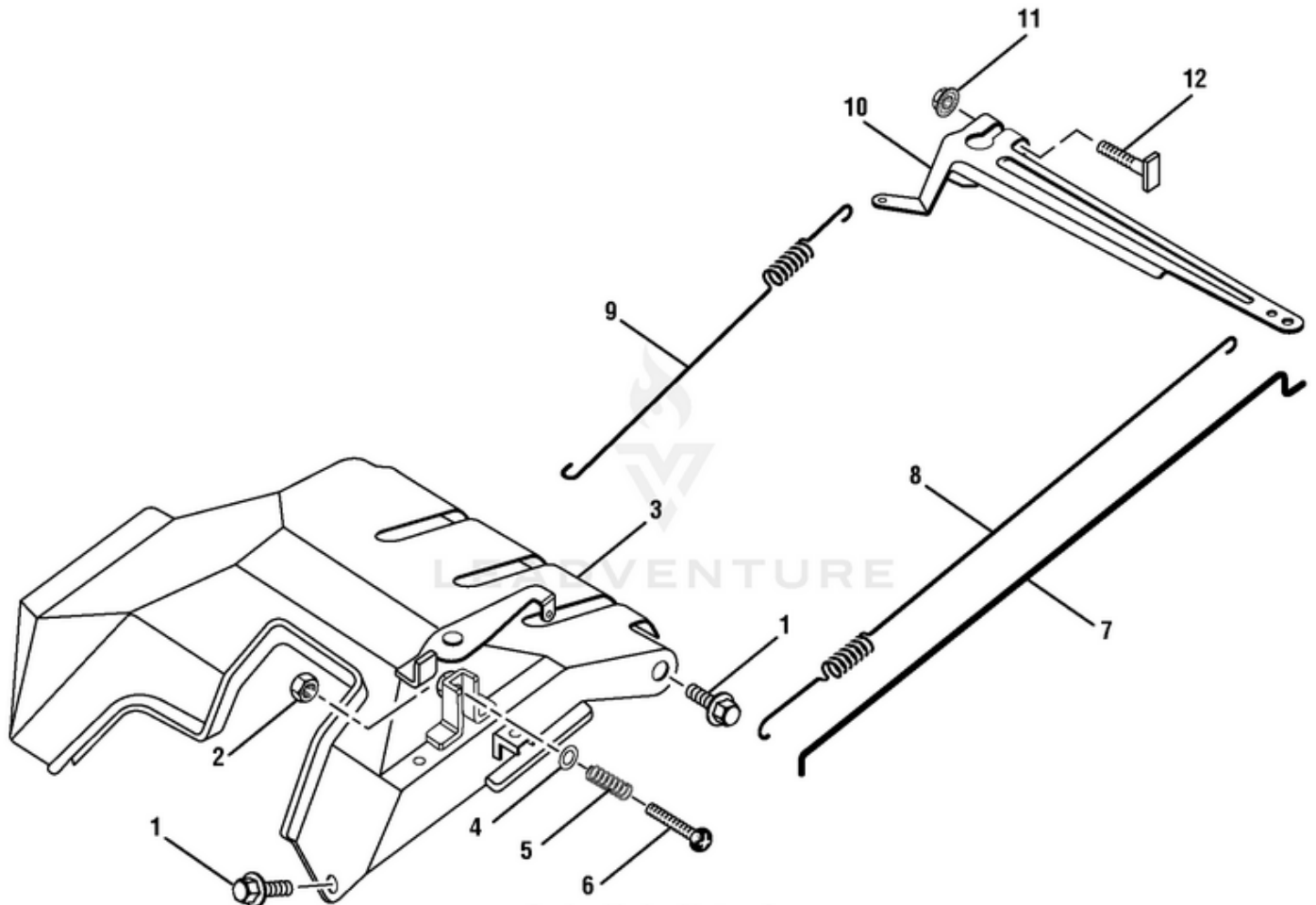
HGCA4500 Series 4500 Watt Generator - Figure I



Rendered by LeadVenture, Inc.

Ref #	Part #	Description	Qty	Context Note
1	099958001036	Flywheel	1	
2	099958001035	Flywheel Fan	1	
3	099958001034	Starter Cup	1	
4	099958001033	Nut (M14 x 1.5 mm)	1	
5	099958001029	O-Ring (Fan Case)	1	
6	099958001711	Fan Case Assembly	1	
7	099958001028	Grommet (Fan Case)	1	
8	678370004	Washer (M6)	3	
9	099958001030	Bolt (M6 x 8 mm, Flange Hd.)	3	
10	099958001710	Recoil Starter Assembly	1	(Incl. Key Nos. 5-9)
11	099958001027	Bolt (M6 x 12 mm, Flange Hd.)	4	
12	940633003	Engine Recoil Label	1	

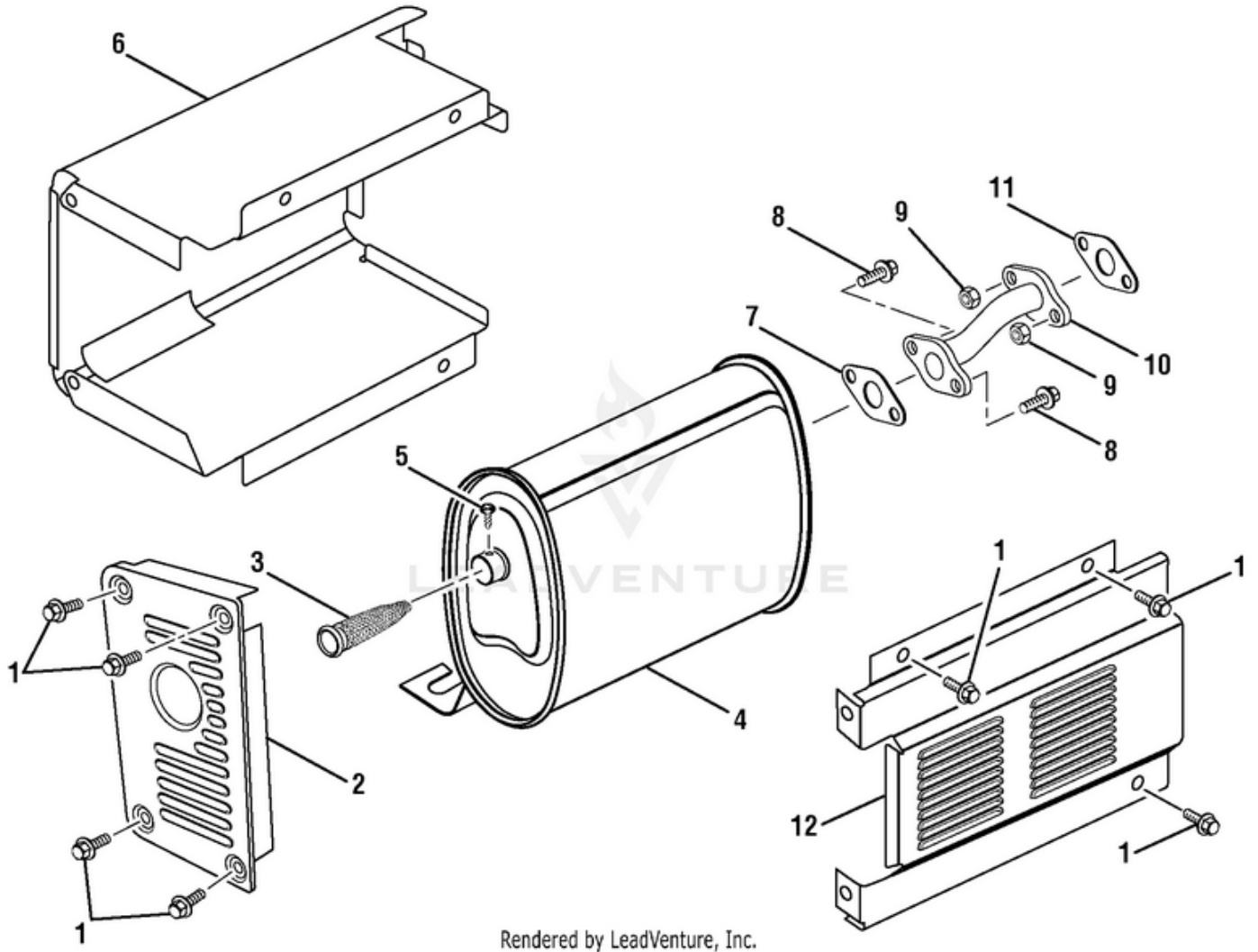
HGCA4500 Series 4500 Watt Generator - Figure J



Rendered by LeadVenture, Inc.

Ref #	Part #	Description	Qty	Context	Note
1	660972014	Bolt (M6 x 12, Flange)	2		
2	678292002	Hex Nut (M5)	1		
3	638626001	Engine Cover	1		
4	678389003	Washer (M5)	1		
5	678449005	Spring	1		
6	661402003	Screw (M5 x 40)	1		
7	678863001	Rod	1		
8	099958001032	Regulator Spring (Fine)	1		
9	099958001031	Regulator Spring (Back)	1		
10	678862001	Regulating Arm	1		
11	678610005	Flange Nut (M6)	1		
12	661413001	Lock Bolt	1		

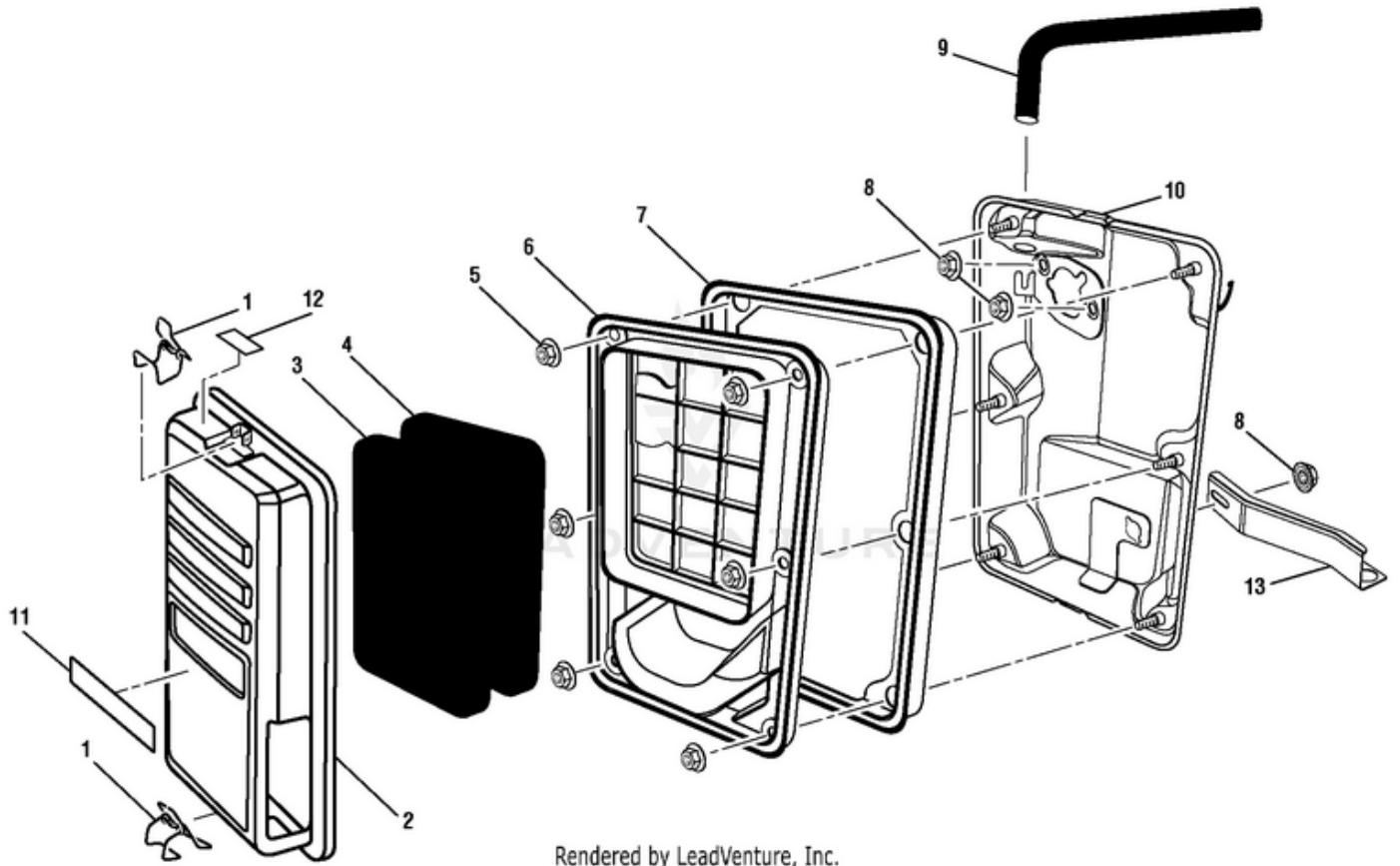
HGCA4500 Series 4500 Watt Generator - Figure K



Rendered by LeadVenture, Inc.

Ref #	Part #	Description	Qty	Context Note
1	661505011	Bolt (M8 x 16 mm, Flange Hd.)	7	
2	678829001	Side Cover	1	
3	310598001	Spark Arrestor	1	
4	309322011	Muffler Assembly	1	
5	661404001	Set Screw	1	
6	678830001	Inner Cover	1	
7	678728002	Exhaust Gasket (Engine)	1	
8	661505012	Flange Bolt (M8 x 25 mm)	2	
9	678355006	Hex Nut (M8)	2	
10	310596001	Manifold (Exhaust)	1	
11	678728003	Gasket (Exhaust, Muffler Side)	1	
12	678828001	Outer Cover	1	

HGCA4500 Series 4500 Watt Generator - Figure L



Rendered by LeadVenture, Inc.

Ref #	Part #	Description	Qty	Context Note
	099958001714	Air Cleaner Assembly	1	(Incl. Key Nos. 1-8, 10-12)
1	099958001038	Air Cleaner Cover Hinge	2	
2	099958001713	Air Cleaner Cover Assembly	1	(Incl. Key No. 1)
3	310764002	Pre-filter	1	
4	099958001039	Air Filter Element	1	
5	099958001041	Nut (M5, Flange Nut)	6	
6	099958001042	Filter Element Retainer	1	
7	570740014	Air Cleaner Gasket	1	
8	099958001040	Nut (M6, Flange Nut)	3	
9	099958001043	Breather Tube	1	
10	678864001	Air Cleaner Support	1	
11	940996002-00	Starting Instruction Label	1	
12	940647033-01	Choke Label	1	
13	099958001044	Air Cleaner Bracket	1	

HGCA4500 Series 4500 Watt Generator - Wiring Diagram

