

RYOBI VARIABLE TEMPERATURE HEAT GUN – MODEL NO. HG600

The model number will be found on a label attached to the motor housing. Always mention the model number in all correspondence regarding your **HEAT GUN** or when ordering replacement parts.

FIGURE A

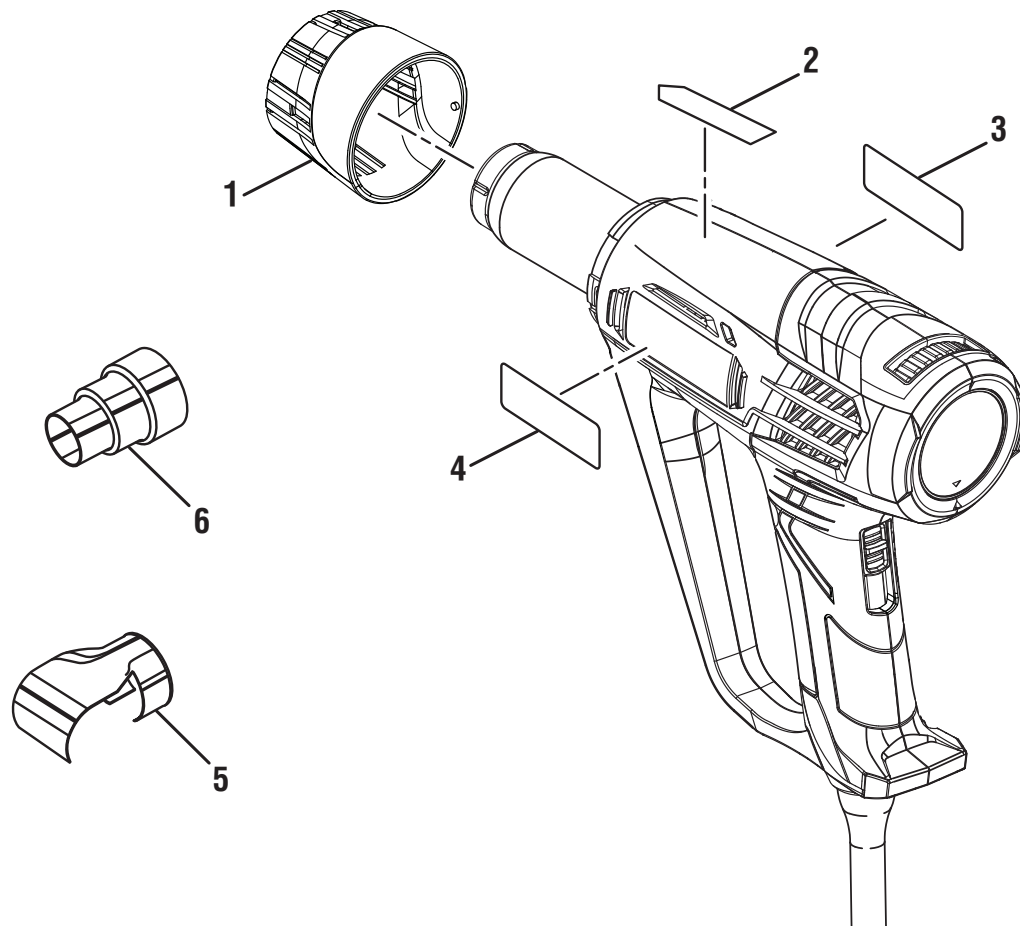


FIGURE A PARTS LIST

KEY NO.	PART NUMBER	DESCRIPTION	QTY.	KEY NO.	PART NUMBER	DESCRIPTION	QTY.
1	039799001008	Nose Cone Cover.....	1	5	039002013033	Tube Bender Nozzle.....	1
2	039799001028	Hot Surface Label.....	1	6	039002013034	Concentrator Nozzle.....	1
3	039799001026	Data Label.....	1	NOT SHOWN:			
4	039799001027	Logo Label.....	1		988000987	Operator's Manual.....	1
					4-11-12		
					(REV:01)		