

RYOBI VARIABLE TEMPERATURE HEAT GUN – MODEL NO. HG500

The model number will be found on a label attached to the motor housing. Always mention the model number in all correspondence regarding your **HEAT GUN** or when ordering replacement parts.

FIGURE A

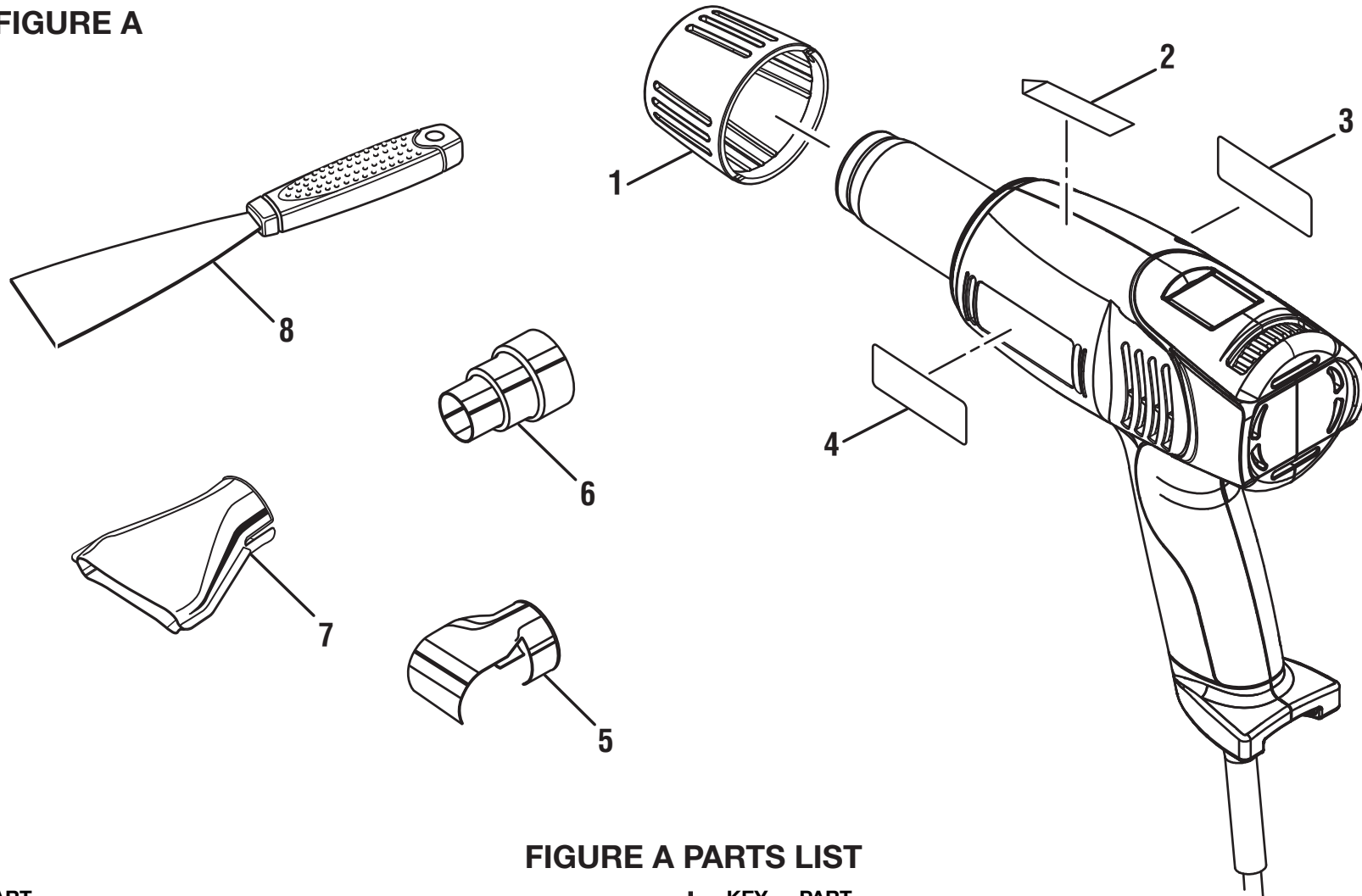


FIGURE A PARTS LIST

KEY NO.	PART NUMBER	DESCRIPTION	QTY.	KEY NO.	PART NUMBER	DESCRIPTION	QTY.
1	039002013031	Nose Cone Cover.....	1	7	039002013032	Scraper Nozzle.....	1
2	039002013050	Hot Surface Label	1	8	039002013035	Hand-Held Scraper	1
3	039002013048	Data Label.....	1	NOT SHOWN:			
4	039002013049	Logo Label	1	983000564	Operator's Manual.....	1	
5	039002013033	Tube Bender Nozzle.....	1	7-20-09			
6	039002013034	Concentrator Nozzle	1	(REV:00)			