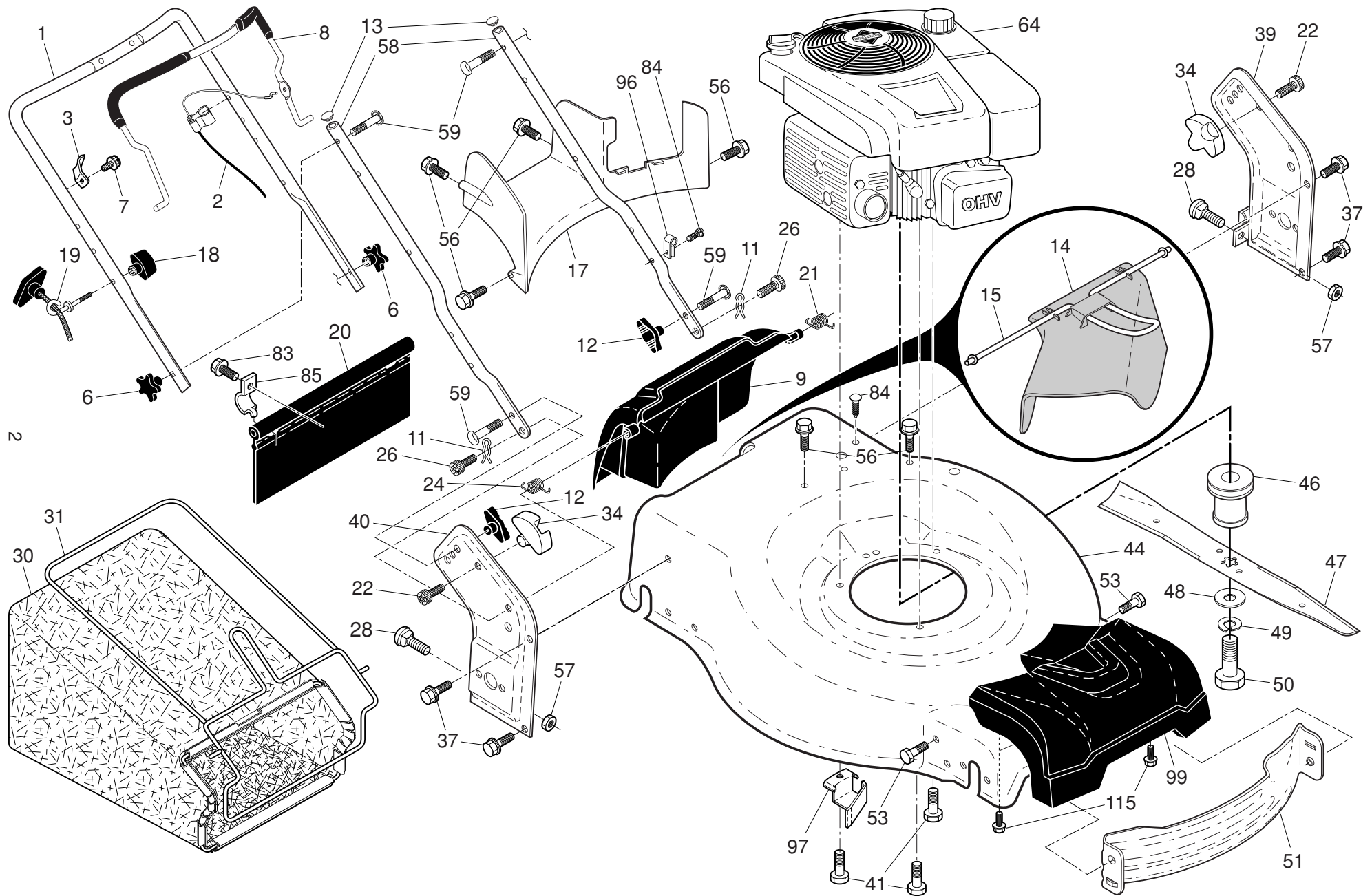


HUSQVARNA LAWN MOWER - MODEL NUMBER HD775HW (96143008603) PRODUCT NO. 961 43 00-86

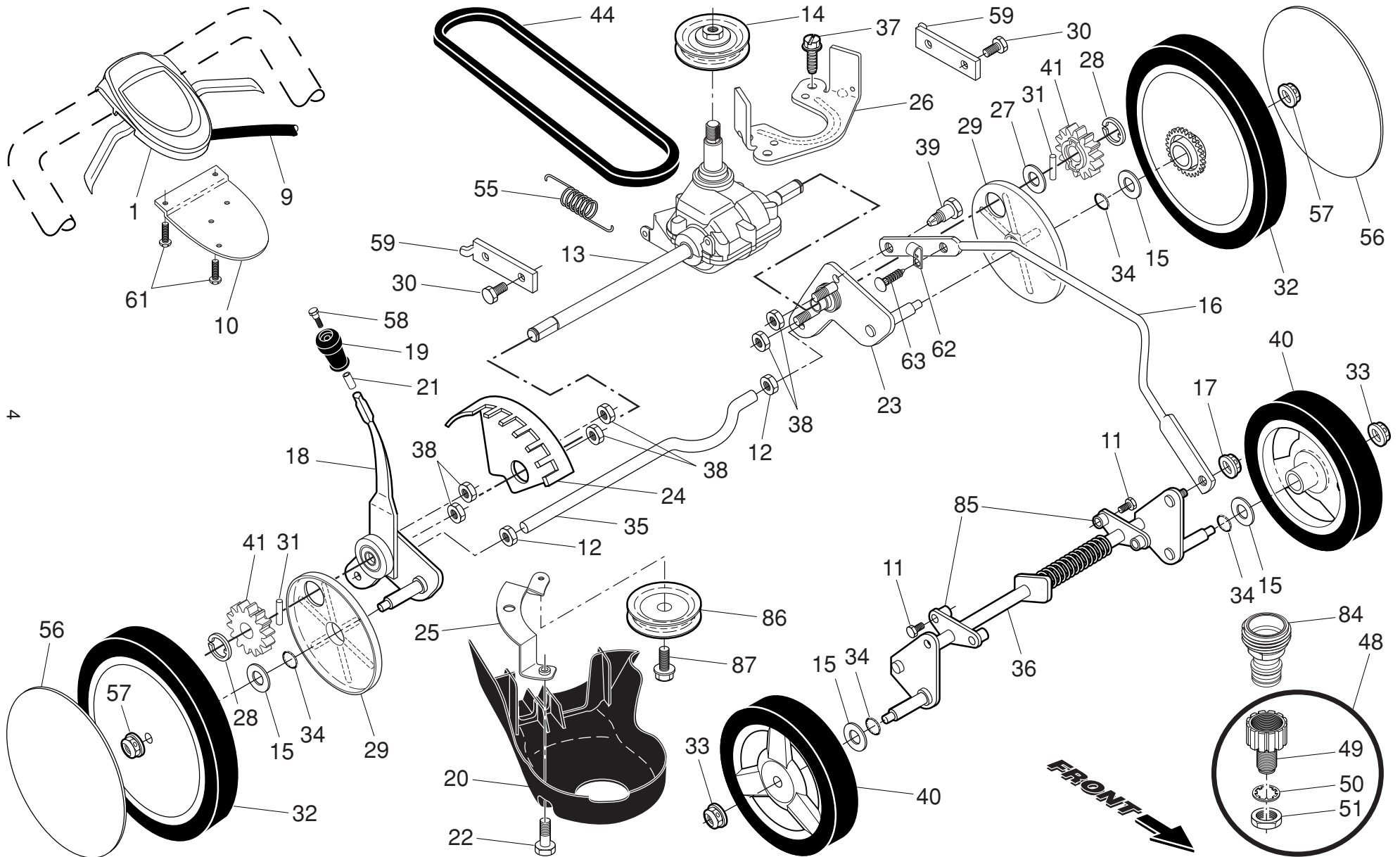


HUSQVARNA LAWN MOWER - MODEL NUMBER HD775HW (96143008603) PRODUCT NO. 961 43 00-86

KEY NO.	PART NO.	DESCRIPTION	KEY NO.	PART NO.	DESCRIPTION
1	580 63 87-06	Upper Handle	44	581 70 83-30	Kit, Lawn Mower Housing
2	532 42 74-97	Cable, Engine Zone Control	46	581 85 15-01	Blade Adapter / Pulley
3	532 43 00-34	Bracket, Upstop	47	532 42 18-25	Blade, 22"
6	532 18 23-98	Handle Knob, Star	48	532 85 10-74	Washer, Hardened
7	532 17 88-48	Screw #10-16 x 5/8	49	532 85 02-63	Washer, Helical
8	580 84 91-02	Control Bar, Overmolded	50	532 85 10-84	Screw, Machine, Hex Head 3/8-24 x 1-3/8 Grade 8
9	532 43 13-90	Rear Door Assembly			Front Baffle
11	532 42 55-75	Hairpin, Door/Handle Pivot	51	532 43 05-99	Screw
12	532 19 19-38	Handle Knob, Standard	53	817 00 05-10	Screw, Hex Washer Head #13 x 3/4
13	532 43 75-16	Plug, Lower Handle Bar	56	817 41 13-12	Nut, Hex
14	532 43 71-32	Deflector, Clipping	57	532 15 53-77	Lower Handle
15	532 43 72-73	Handle, Clipping Deflector	58	532 44 11-97	Handle Bolt
17	581 78 21-01	Rear Baffle	59	532 19 15-74	Engine, Briggs & Stratton, Model Number 111P02-0130-F4 (For engine service and replacement parts, call Briggs & Stratton at 1-800-233-3723)
18	581 91 26-01	T-Knob	64	- - -	Screw, Hex Washer Head
19	581 90 21-01	Rope Guide			Fastener, Push
20	532 44 45-37	Rear Skirt			Mounting Bracket, Rear Skirt
21	532 41 99-49	Spring, Rear Door, LH, Black			Clip, Cable
22	532 14 18-41	Screw, Panhead, Torx #20			Belt Keeper
24	532 41 99-48	Spring, Rear Door, RH, Grey			Front Shroud Assembly
26	532 41 99-45	Screw, Rear Door/Handle Pivot	83	532 75 00-97	Screw
28	586 21 25-01	Bolt, Carriage 5/16-18 x 5/8	84	532 42 81-24	Fastener, Push
30	580 94 73-15	Grassbag	85	532 43 45-30	Mounting Bracket, Rear Skirt
31	585 05 47-02	Frame, Grass Catcher			Clip, Cable
34	532 43 81-34	Bracket, Grassbag	96	532 19 79-91	Belt Keeper
37	817 00 05-10	Screw, Hex Head 1/4-20	97	581 11 53-02	Front Shroud Assembly
39	585 90 07-03	Handle Bracket, LH	99	585 66 87-02	Screw
40	585 90 08-03	Handle Bracket, RH	115	584 29 94-01	Operator's Manual, English / French
41	532 15 04-06	Screw, Dogpoint 3/8-16 x 1-1/8	--	115 63 43-32	

NOTE: All component dimensions given in U.S. inches. 1 inch = 25.4 mm. **IMPORTANT:** Use only Original Equipment Manufacturer (O.E.M.) replacement parts. Failure to do so could be hazardous, damage your lawn mower and void your warranty.

HUSQVARNA LAWN MOWER - MODEL NUMBER HD775HW (96143008603) PRODUCT NO. 961 43 00-86



HUSQVARNA LAWN MOWER - MODEL NUMBER HD775HW (96143008603) PRODUCT NO. 961 43 00-86

KEY NO.	PART NO.	DESCRIPTION	KEY NO.	PART NO.	DESCRIPTION
1	581 95 05-06	Drive Control Assembly (Includes Cable)	33	532 40 91-48	Nut, Flangelock 3/8-16
9	581 95 21-01	Cable, Drive	34	532 19 74-80	O-Ring
10	532 43 27-90	Mounting Bracket, Drive Control	35	532 43 05-98	Axle, Rear
11	817 41 13-12	Screw	36	532 44 22-07	Axle, Front
12	873 94 08-00	Nut, Hex	37	532 16 34-09	Screw, Hi-Lo Thread, 12 x 5/8
13	581 68 08-01	Gearcase Assembly, Complete	38	532 19 17-30	Nut, Hex
14	532 19 41-28	Pulley, Drive	39	532 40 70-59	Bolt
15	532 08 83-48	Washer, Flat	40	532 41 08-31	Wheel & Tire Assembly, Front
16	532 43 00-30	Rod, Connecting	41	532 42 87-83	Pinion
17	532 75 11-53	Nut, Hex	44	532 40 65-57	Belt, Drive
18	532 43 78-64	Selector Assembly	48	532 43 84-89	Kit, Water Washout Assembly
19	532 43 39-96	Knob, Wheel Adjuster	49	532 43 49-94	Fitting, Water Washout
20	580 80 69-01	Debris Shield	50	532 41 55-85	Washer, Lock, Internal Tooth
21	532 43 52-42	Anchor	51	532 41 55-86	Locknut, Hex, with O-Ring
23	532 43 78-65	Wheel Axle Assembly, LH	55	581 35 13-01	Spring, Tension
24	532 43 35-11	Bracket, Height Adjustment	56	532 44 13-33	Hubcap
25	581 31 38-02	Mounting Bracket, Debris Shield	57	532 40 91-49	Nut, Flangelock 3/8-16
26	532 42 60-66	Belt Keeper	58	532 43 52-41	Bolt, Shoulder
27	819 17 12-16	Washer, Flat	59	532 44 21-13	Support Bracket
28	812 00 00-58	E-Ring 7/16	61	532 18 16-98	Screw
29	532 42 87-81	Cover, Dust, Wheel	62	532 19 79-91	Clip, Cable
30	817 00 05-10	Screw, Hex Head	63	532 42 81-24	Fastener, Push
31	532 40 48-45	Pawl, Drive	84	532 41 64-05	Adapter, Quick-Connect Coupler
32	581 33 67-01	Wheel & Tire Assembly, Rear	85	532 43 90-77	Support Bracket, Front Axle
			86	580 36 43-01	Pulley, Idler
			87	581 12 76-01	Screw

5

NOTE: All component dimensions given in U.S. inches. 1 inch = 25.4 mm. **IMPORTANT:** Use only Original Equipment Manufacturer (O.E.M.) replacement parts. Failure to do so could be hazardous, damage your lawn mower and void your warranty.