

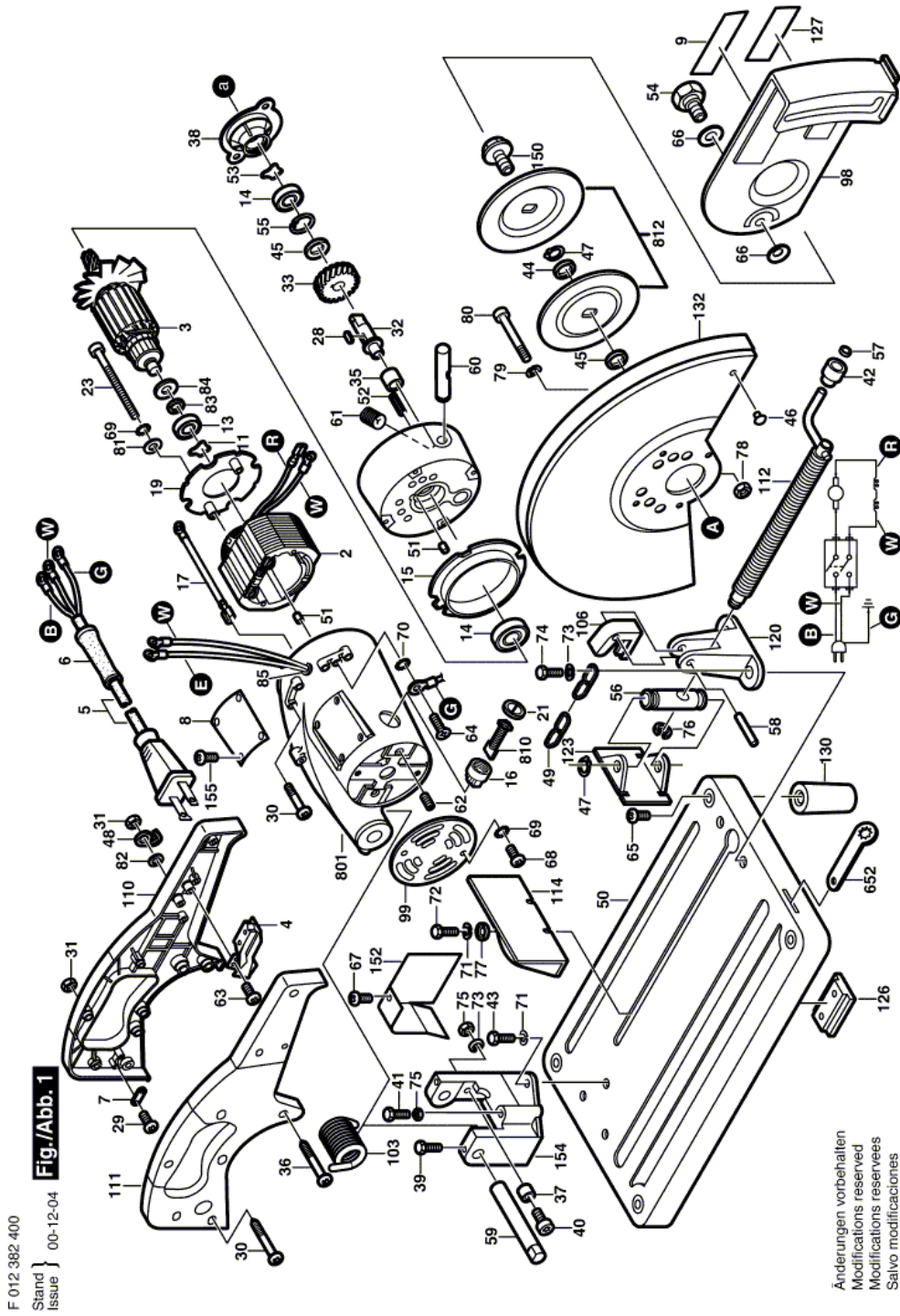
Universal Lutt-Off Saw - F 012 382 400 - HD3824 TY...

Item	Part Number	Description	Illustration	Price	Quantity	Price Group
2	2 610 355 302	Field 115V	1	-,-	1	40
3	2 610 355 301	Armature 115V	1	-,-	1	50
4	2 610 355 335	On-Off Switch	1	-,-	1	34
5	2 610 355 306	Power supply cord	1	-,-	1	38
6	2 610 355 307	Grommet	1	-,-	1	26
7	2 610 355 342	Cable Clip	1	-,-	1	11
8	2 610 905 889	Nameplate	1	-,-	1	-
9	2 610 905 888	Label	1	-,-	1	-
11	2 610 355 310	Connecting Cable	1	-,-	1	23
13	2 610 010 824	Bearing	1	-,-	1	27
14	2 610 023 268	Deep-Groove Ball Bearing	1	-,-	2	29
15	2 610 355 311	Air-Deflector Ring	1	-,-	1	17
16	2 610 355 297	Holder	1	-,-	1	30
17	2 610 355 309	Washer	1	-,-	1	-
19	2 610 355 349	Air-Deflector Ring	1	-,-	1	20
20	2 610 355 312	Gear Housing	N/A	-,-	1	-
21	2 610 355 298	Protective Cap	1	-,-	2	23
23	2 610 355 303	Screw	1	-,-	2	13
28	2 610 355 343	Key	1	-,-	1	18
29	2 610 355 341	Screw	1	-,-	2	15
30	2 610 355 337	Screw	1	-,-	9	15
31	2 610 356 706	Nut	1	-,-	11	13
32	2 610 355 323	Drilling Spindle	1	-,-	1	36
33	2 610 355 322	Gear	1	-,-	1	41
35	2 610 355 313	Bearing box	1	-,-	1	36
36	2 610 355 338	Screw	1	-,-	1	15
37	2 610 352 729	Sleeve	1	-,-	1	15
38	2 610 355 317	Spring retaining ring	1	-,-	1	31
39	2 610 355 267	Screw	1	-,-	1	11
40	2 610 355 270	Screw	1	-,-	1	12
41	2 610 355 268	Screw	1	-,-	1	15
42	2 610 355 286	Knob	1	-,-	1	15
43	2 610 358 055	Socket head cap screw	1	-,-	3	18

Item	Part Number	Description	Illustration	Price	Quantity	Price Group
44	2 610 355 345	Collar	1	-,-	1	24
45	2 610 355 344	Collar	1	-,-	2	24
46	2 610 355 347	Bumper	1	-,-	2	15
47	2 610 355 284	Retaining snap ring	1	-,-	2	15
48	2 610 355 340	Hook	1	-,-	1	15
49	2 610 355 279	Chain	1	-,-	1	21
50	2 610 355 250	Base	1	-,-	1	-
51	2 610 355 314	Plug	1	-,-	2	15
52	2 610 355 348	Roller Pin	1	-,-	1	15
53	2 610 355 321	Plain Washer	1	-,-	1	15
54	2 610 355 331	Screw	1	-,-	2	24
55	2 610 355 320	Retaining snap ring	1	-,-	1	18
56	2 610 355 283	Bolt	1	-,-	1	-
57	2 610 328 702	Push-Button	1	-,-	1	15
58	2 610 355 280	Roller Pin	1	-,-	1	15
59	2 610 355 265	Shaft	1	-,-	1	27
60	2 610 355 315	Tappet	1	-,-	1	26
61	2 610 355 316	Spring	1	-,-	1	12
62	2 610 355 295	Screw	1	-,-	1	12
63	2 610 355 336	Screw	1	-,-	2	15
64	2 610 357 149	Screw	1	-,-	1	11
65	2 610 355 259	Screw	1	-,-	4	15
66	2 610 355 330	Plain Washer	1	-,-	4	15
67	2 610 355 278	Screw	1	-,-	2	15
68	2 610 355 293	Screw	1	-,-	2	15
69	2 610 355 304	Plain Washer	1	-,-	4	15
70	2 610 355 269	Plain Washer	1	-,-	1	15
71	2 610 355 264	Plain Washer	1	-,-	5	15
72	2 610 355 263	Screw	1	-,-	2	15
73	2 610 355 271	Plain Washer	1	-,-	3	15
74	2 610 355 277	Screw	1	-,-	2	15
75	2 610 910 794	Hex Nut	1	-,-	2	10
76	2 610 355 290	Retaining snap ring	1	-,-	1	15
77	2 610 355 274	Washer	1	-,-	2	11
78	2 610 355 332	Square Nut	1	-,-	2	11
79	2 610 355 325	Spring Washer	1	-,-	4	10
80	2 610 355 324	Screw	1	-,-	4	12
81	2 610 355 570	Washer	1	-,-	2	15
82	2 610 345 391	Washer	1	-,-	2	15
83	2 610 355 318	Plain Washer	1	-,-	1	15
84	2 610 355 319	Plain Washer	1	-,-	1	15
85	2 610 355 299	Grommet	1	-,-	1	12
98	2 610 355 329	Protection Sleeve	1	-,-	1	30
99	2 610 355 292	Plate	1	-,-	1	-
103	2 610 355 266	Spring	1	-,-	1	33
106	2 610 355 281	Clutch Element	1	-,-	1	-
110	2 610 908 450	Handle	1	-,-	1	-
111	2 610 908 451	Cover	1	-,-	1	-
112	2 610 355 289	Screw	1	-,-	1	35
114	2 610 355 273	Guide	1	-,-	1	-
120	2 610 355 276	Holder	1	-,-	1	-
123	2 610 994 509	Clamp	1	-,-	1	21
126	2 610 355 275	Plate	1	-,-	1	30

Item	Part Number	Description	Illustration	Price	Quantity	Price Group
127	2 610 353 233	Warning Plate	1	-,-	1	-
130	2 610 355 258	Supporting foot	1	-,-	4	28
132	2 610 355 328	Protective Cover	1	-,-	1	50
150	2 610 910 023	Bolt	1	-,-	1	-
152	2 610 355 291	Cover	1	-,-	1	-
154	2 610 355 261	Bracket Holder	1	-,-	1	-
155	2 610 355 300	Screw	1	-,-	4	11
652	2 610 355 260	Key	1	-,-	1	28
801	2 610 355 305	Housing	1	-,-	1	-
810	2 610 995 539	Carbon-Brush Set	1	-,-	1	29
812	2 610 910 025	Flange	1	-,-	1	36

Illustration - Type E



Information subject to change without further notice.