

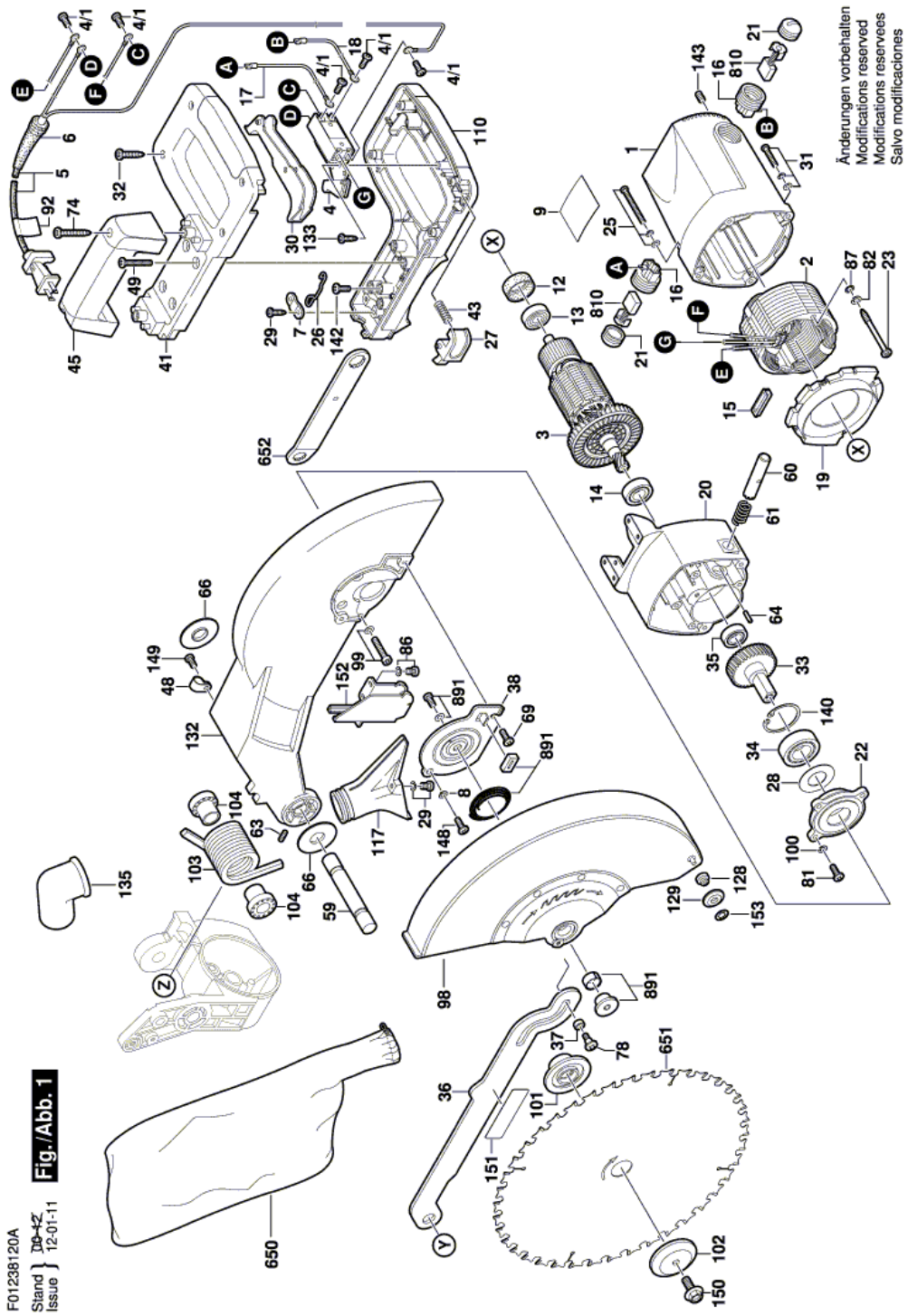
Circular hand saw - F 012 381 20A - HD 3812

Item	Part Number	Description	Illustration	Price	Quantity	Price Group
1	2 610 911 472	Housing	1	-,-	1	-
2	2 610 911 475	Pole Shoe 120V	1	-,-	1	40
3	2 610 911 476	Armature 120V	1	-,-	1	49
4	2 610 910 020	On-Off Switch	1	-,-	1	36
4/1	2 610 358 901	Screw	1	-,-	6	11
5	2 610 911 463	Power supply cord	1	-,-	1	35
6	2 610 911 464	Grommet	1	-,-	1	14
7	2 610 910 756	Cable Clip	1	-,-	1	11
8	2 610 911 450	Washer	1	-,-	2	11
9	2 610 993 045	Nameplate	1	-,-	1	-
12	2 610 911 485	Bearing Sleeve	1	-,-	1	15
13	2 610 042 699	Deep-Groove Ball Bearing	1	-,-	1	22
14	2 610 017 349	Deep-Groove Ball Bearing	1	-,-	1	31
15	2 610 911 486	Protractor	1	-,-	1	14
16	2 610 911 488	Brush Holder	1	-,-	2	30
17	2 610 910 773	Connecting Cable	1	-,-	1	18
18	2 610 910 780	Cable	1	-,-	1	21
19	2 610 911 477	Air-Deflector Ring	1	-,-	1	21
20	2 610 911 474	Gear Housing	1	-,-	1	34
21	2 610 911 487	Cover	1	-,-	2	18
22	2 610 911 479	Bearing Flange	1	-,-	1	27
23	2 610 911 452	Screw	1	-,-	2	13
25	2 610 910 785	Screw	1	-,-	2	10
26	2 610 910 754	Spring Wire	1	-,-	1	11
27	2 610 910 772	Knob	1	-,-	1	-
28	2 610 910 046	Spring Washer	1	-,-	1	10
29	2 615 296 765	Screw	1	-,-	3	11
30	2 610 910 827	Switch Button	1	-,-	1	22
31	2 610 355 337	Screw	1	-,-	2	15
32	2 610 911 458	Screw	1	-,-	4	10
33	2 610 911 482	Toothed Gear	1	-,-	1	41
34	2 610 910 789	Ball Bearing	1	-,-	1	28
35	2 610 910 787	Ball Bearing	1	-,-	1	27

Item	Part Number	Description	Illustration	Price	Quantity	Price Group
36	2 610 990 525	Lever	1	-,-	1	25
37	2 610 910 849	Collar	1	-,-	1	11
38	2 610 910 821	Tab Washer	1	-,-	1	21
39	2 610 355 269	Plain Washer	2	-,-	1	15
40	2 610 908 270	Washer	2	-,-	1	11
41	2 610 910 803	Handle	1	-,-	1	-
43	2 610 910 771	Spring	1	-,-	1	-
44	2 610 990 524	Support	2	-,-	1	-
45	2 610 910 819	Handle	1	-,-	1	-
46	2 610 910 761	Cover Pin	2	-,-	2	15
47	2 610 358 172	Nut	2	-,-	1	10
48	2 610 990 504	Cable Clip	1	-,-	1	10
49	2 610 355 338	Screw	1	-,-	4	15
50	2 610 910 800	Base	2	-,-	1	-
51	2 610 910 757	Bar	2	-,-	1	21
52	2 610 910 768	Retaining Pin	2	-,-	1	16
53	2 610 910 765	Compression Spring	2	-,-	1	10
54	2 610 910 838	Tensioning Lever	2	-,-	1	27
55	2 615 297 329	Washer	2	-,-	1	10
57	2 610 910 837	Intermediate Plate	2	-,-	1	25
58	2 610 910 769	Bolt	2	-,-	1	18
59	2 610 910 842	Pivot	1	-,-	1	20
60	2 610 911 484	Locking Pin	1	-,-	1	22
61	2 610 910 770	Spring	1	-,-	1	11
62	2 610 910 781	Screw	2	-,-	6	10
63	2 610 328 605	Screw	1	-,-	2	10
64	2 610 910 796	Bolt	1	-,-	1	13
66	2 610 911 465	Washer	1	-,-	2	12
67	2 610 910 788	O-Ring	2	-,-	1	10
68	2 610 910 783	Nut	2	-,-	1	11
69	2 615 297 323	Screw	1	-,-	1	10
71	2 610 910 790	Screw	2	-,-	1	10
72	2 610 910 791	Nut	2	-,-	1	15
74	2 610 911 460	Screw	1	-,-	2	11
75	2 610 910 786	Set screw	2	-,-	1	10
77	2 610 910 760	Nut	2	-,-	1	18
78	2 610 910 797	Screw	1	-,-	1	13
79	2 610 905 940	Nut	2	-,-	1	10
80	2 610 356 707	Screw	2	-,-	2	-
81	2 610 910 784	Screw	1	-,-	3	10
82	2 610 911 455	Spring Washer	1	-,-	2	10
83	2 610 910 779	Washer	2	-,-	1	10
84	2 610 910 792	Washer	2	-,-	1	10
86	2 610 911 466	Screw M 8x0.8-10	1	-,-	3	10
87	2 610 355 304	Plain Washer	1	-,-	2	15
88	2 610 910 762	Screw	2	-,-	1	18
89	2 610 910 766	Sleeve	2	-,-	1	19
90	2 610 355 264	Plain Washer	2	-,-	1	15
92	2 610 911 664	Sticker	1	-,-	1	-
93	2 610 910 763	Collar bolt	2	-,-	1	-
94	2 610 910 778	Stud bolt	2	-,-	1	15
95	2 610 910 843	Collar bolt	2	-,-	1	-
96	2 610 910 758	Spring	2	-,-	1	11

Item	Part Number	Description	Illustration	Price	Quantity	Price Group
97	2 610 328 600	Nut	2	-,-	2	10
98	2 610 990 523	Safety Cover	1	-,-	1	38
99	2 610 911 461	Screw	1	-,-	4	12
100	2 610 990 503	Spring Washer	1	-,-	3	10
101	2 610 910 846	Flange	1	-,-	1	27
102	1 609 902 369	Flange	1	-,-	1	25
103	2 610 910 755	Torsion Spring	1	-,-	1	25
104	2 610 910 753	Sleeve	1	-,-	2	11
105	2 610 990 527	Support Plate	2	-,-	1	20
106	2 610 910 833	End Plate	2	-,-	1	20
107	2 610 910 835	Gusset plate	2	-,-	1	19
109	2 610 910 839	Pivot	2	-,-	1	22
110	2 610 910 802	Handle	1	-,-	1	-
111	2 610 910 808	Table top	2	-,-	1	-
112	2 610 910 822	Clamping Lever	2	-,-	1	24
113	2 610 910 831	Indicator Rail	2	-,-	1	19
114	2 610 910 814	Guide	2	-,-	1	-
115	2 610 916 122	Plate	2	-,-	1	19
116	2 610 910 812	Protective Grille	2	-,-	1	-
117	2 610 992 388	Dust Bag	1	-,-	1	30
118	2 610 358 055	Socket head cap screw	2	-,-	2	18
119	2 610 309 996	Washer	2	-,-	3	11
120	2 610 910 775	Lever	2	-,-	1	25
121	2 610 910 830	Sliding Plate	2	-,-	6	22
122	2 610 911 658	Warning Plate	2	-,-	2	15
123	2 610 910 806	Base	2	-,-	1	-
124	2 610 911 470	Set Of Keys	2	-,-	1	15
125	2 610 355 777	Hexagon Socket Wrench	2	-,-	1	15
126	2 610 910 844	Threaded Plate	2	-,-	1	13
127	2 610 911 661	Sticker	2	-,-	1	-
128	2 610 990 522	Bearing	1	-,-	1	11
129	2 610 990 518	Roller	1	-,-	1	11
130	1 619 P03 548	Rubber Bushing	2	-,-	4	13
131	2 610 911 660	Sticker	2	-,-	1	-
132	2 610 990 526	Upper Housing	1	-,-	1	-
133	2 610 911 459	Screw	1	-,-	1	10
135	2 610 910 845	Suction Tube	1	-,-	1	19
136	2 610 910 777	Screw	2	-,-	1	10
137	2 610 911 893	Screw	2	-,-	3	14
138	2 610 356 733	Screw	2	-,-	4	10
139	2 610 911 469	Screw	2	-,-	2	10
140	2 610 355 320	Retaining snap ring	1	-,-	1	18
141	2 610 910 794	Hex Nut	2	-,-	2	10
142	2 610 320 345	Screw	1	-,-	1	10
143	2 610 911 456	Screw	1	-,-	2	13
144	2 610 910 782	Screw	2	-,-	1	10
145	2 610 910 774	Nut	2	-,-	1	10
146	2 610 910 776	Screw	2	-,-	1	13
147	2 610 910 795	Screw	2	-,-	4	-
148	2 610 910 799	Screw	1	-,-	1	12
149	2 610 355 293	Screw	1	-,-	1	15
150	2 610 911 467	Stud bolt	1	-,-	1	16
151	2 610 911 663	Warning Plate	1	-,-	1	-

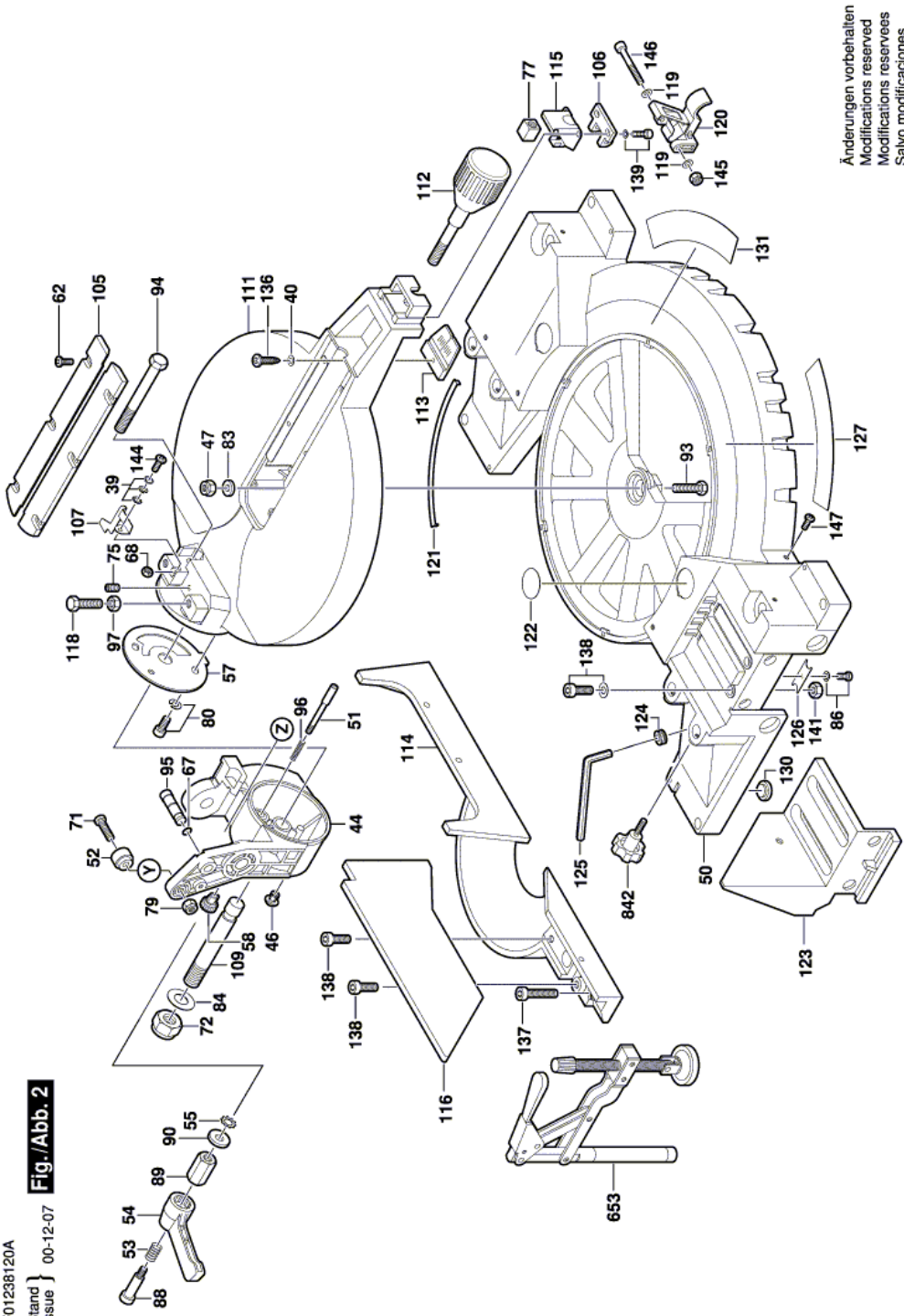
Item	Part Number	Description	Illustration	Price	Quantity	Price Group
152	2 610 910 826	Depth-Gauge	1	-,-	1	-
153	2 610 990 521	Spring retaining ring	1	-,-	1	10
650	2 610 910 829	Dust Bag	1	-,-	1	-
651	2 610 910 836	Spare Part 12"	1	-,-	1	-
652	2 610 910 828	Key	1	-,-	1	22
653	2 610 910 841	Grip-Spring Tensioning E	2	-,-	1	36
810	2 610 993 231	Carbon-Brush Set	1	-,-	1	28
842	2 610 910 767	Knob	2	-,-	2	-
891	2 610 021 152	Service Kit	1	-,-	1	47



F01238120A

Stand }
issue } 00-12-07

Fig./Abb. 2



Änderungen vorbehalten
Modifications reserved
Modifications reserves
Salvo modificaciones