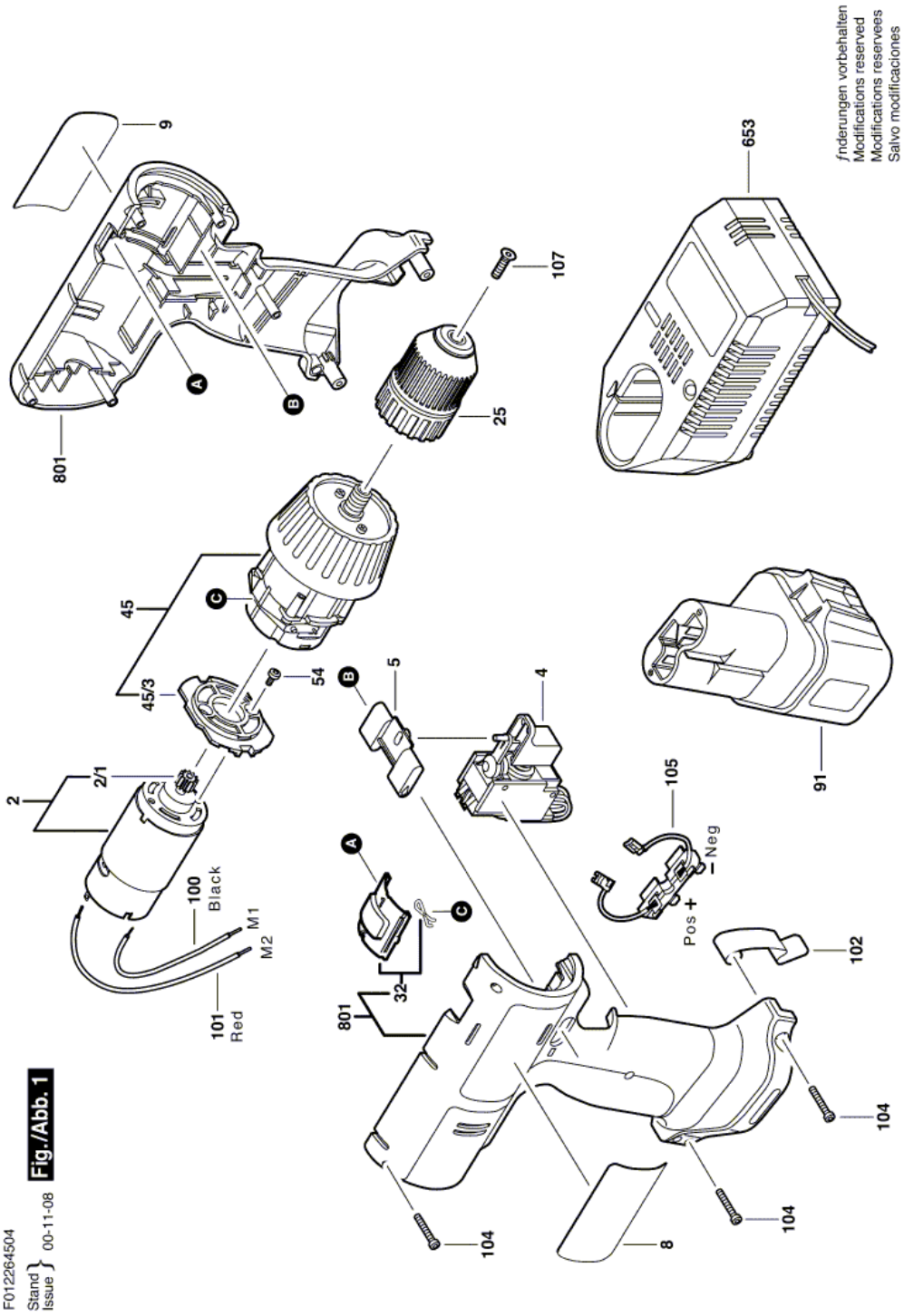


Drill - F 012 274 504 - HD 2745 TYPE 1

Item	Part Number	Description	Illustration	Price	Quantity	Price Group
2	2 610 967 610	Motor	1	-,-	1	35
2/1	2 606 316 161	Pinion Z=12	1	-,-	1	15
4	2 610 910 977	Toggle Switch	1	-,-	1	-
5	2 610 967 613	Lever	1	-,-	1	-
8	2 610 911 753	Sticker	1	-,-	1	-
9	2 610 911 754	Sticker	1	-,-	1	-
25	2 610 908 303	Chuck 3/8"	1	-,-	1	32
32	2 610 910 668	Adjusting Slide	1	-,-	1	19
45	2 610 995 859	Planetary Gear Train	1	-,-	1	-
45/3	2 610 967 692	Flange	1	-,-	1	13
54	2 610 967 115	Screw	1	-,-	2	11
91	2 610 910 935	Battery Set	1	-,-	1	-
100	2 610 967 634	Wire BLACK	1	-,-	1	11
101	2 610 967 635	Wire RED	1	-,-	1	11
102	2 610 351 018	Latch	1	-,-	1	13
104	2 610 909 719	Screw BLACK	1	-,-	7	11
105	2 610 910 986	Connector	1	-,-	1	14
107	2 609 110 721	Countersunk-Head Screw M5x20	1	-,-	1	11
653	2 610 967 695	Battery Charger USA 120/12V	1	-,-	1	-
801	2 610 910 680	Motor Housing	1	-,-	1	26

Illustration - Type E



Information subject to change without further notice.