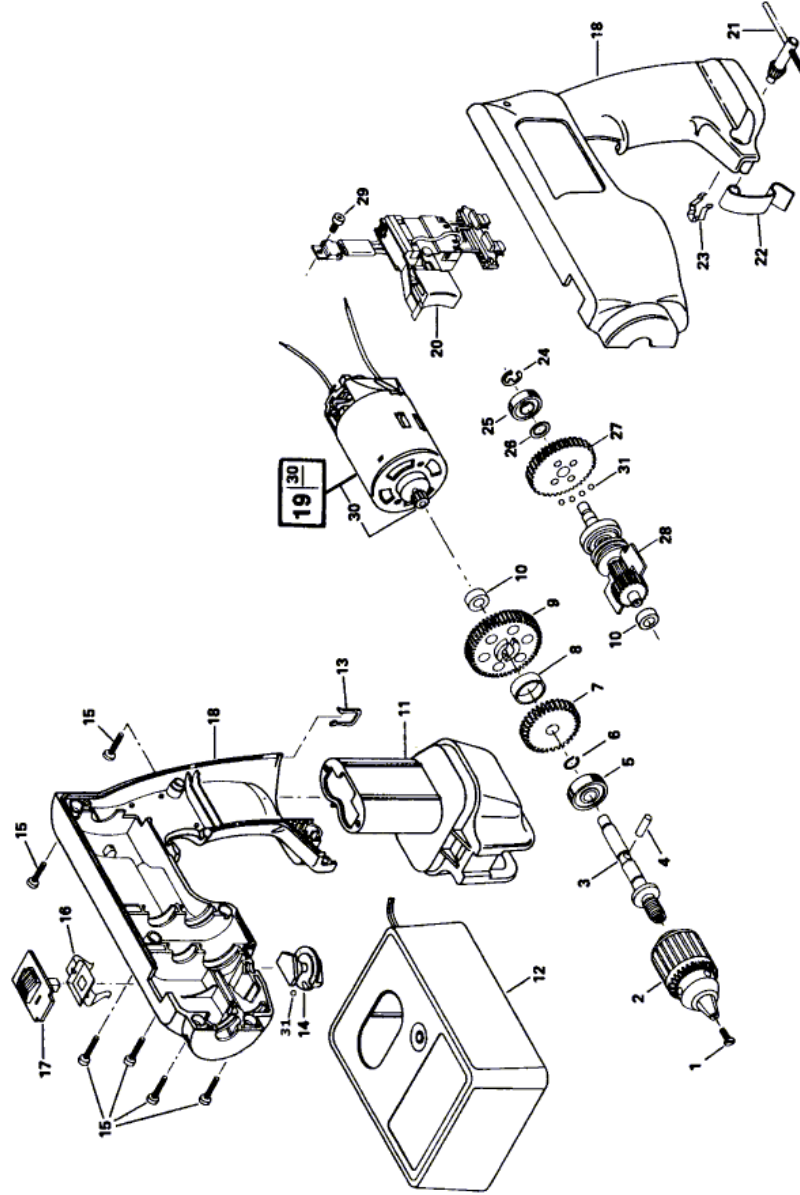


Cordless Drill Driver - F 012 273 699 - HD2736 TYP...

Item	Part Number	Description	Illustration	Price	Quantity	Price Group
1	2 610 068 005	Screw	1	-,-	1	11
2	2 610 092 962	Chuck	1	-,-	1	-
3	2 610 904 825	Spindle	1	-,-	1	22
4	2 610 326 584	Pin	1	-,-	1	11
5	2 610 356 047	Bearing	1	-,-	1	-
6	2 610 931 268	Retaining snap ring	1	-,-	1	-
7	2 610 350 975	Toothed Gear	1	-,-	1	14
8	2 610 350 990	Shim washer	1	-,-	1	12
9	2 610 350 976	Toothed Gear	1	-,-	1	17
10	2 610 350 987	Bushing	1	-,-	2	13
11	2 610 904 786	Battery Set 12V/120V	1	-,-	1	-
12	2 610 092 900	Charger USA 120/7,2-12V	1	-,-	1	-
13	2 610 351 046	Support	1	-,-	1	13
14	2 610 906 350	Knob	1	-,-	1	-
15	2 610 315 386	Screw ST3,9x19	1	-,-	7	11
16	2 610 350 977	Locking Lever	1	-,-	1	13
17	2 610 350 978	Switch	1	-,-	1	13
18	2 610 905 327	Housing	1	-,-	1	25
19	2 610 350 140	DC motor 12V	1	-,-	1	-
20	2 610 906 479	Toggle Switch	1	-,-	1	-
21	2 610 092 960	Key Chuck	1	-,-	1	-
22	2 610 351 018	Latch	1	-,-	1	13
23	2 610 351 023	Support	1	-,-	1	11
24	2 610 350 994	Ring	1	-,-	1	11
25	2 610 067 674	Ball Bearing	1	-,-	1	-
26	2 610 352 050	Spacer	1	-,-	1	-
27	2 610 354 749	Toothed Gear	1	-,-	1	24
28	2 610 352 376	Axle	1	-,-	1	37
29	2 610 315 146	Screw	1	-,-	1	11
30	2 610 350 962	Pinion	1	-,-	1	11
31	2 610 350 998	Ball	1	-,-	5	11

Illustration - Type E



Änderungen vorbehalten
Modifications reserved
Modifications reserves
Salvo modificaciones

F012273699
Stand }
Issue } 00-05-25

Fig./Abb. 1

Information subject to change without further notice.