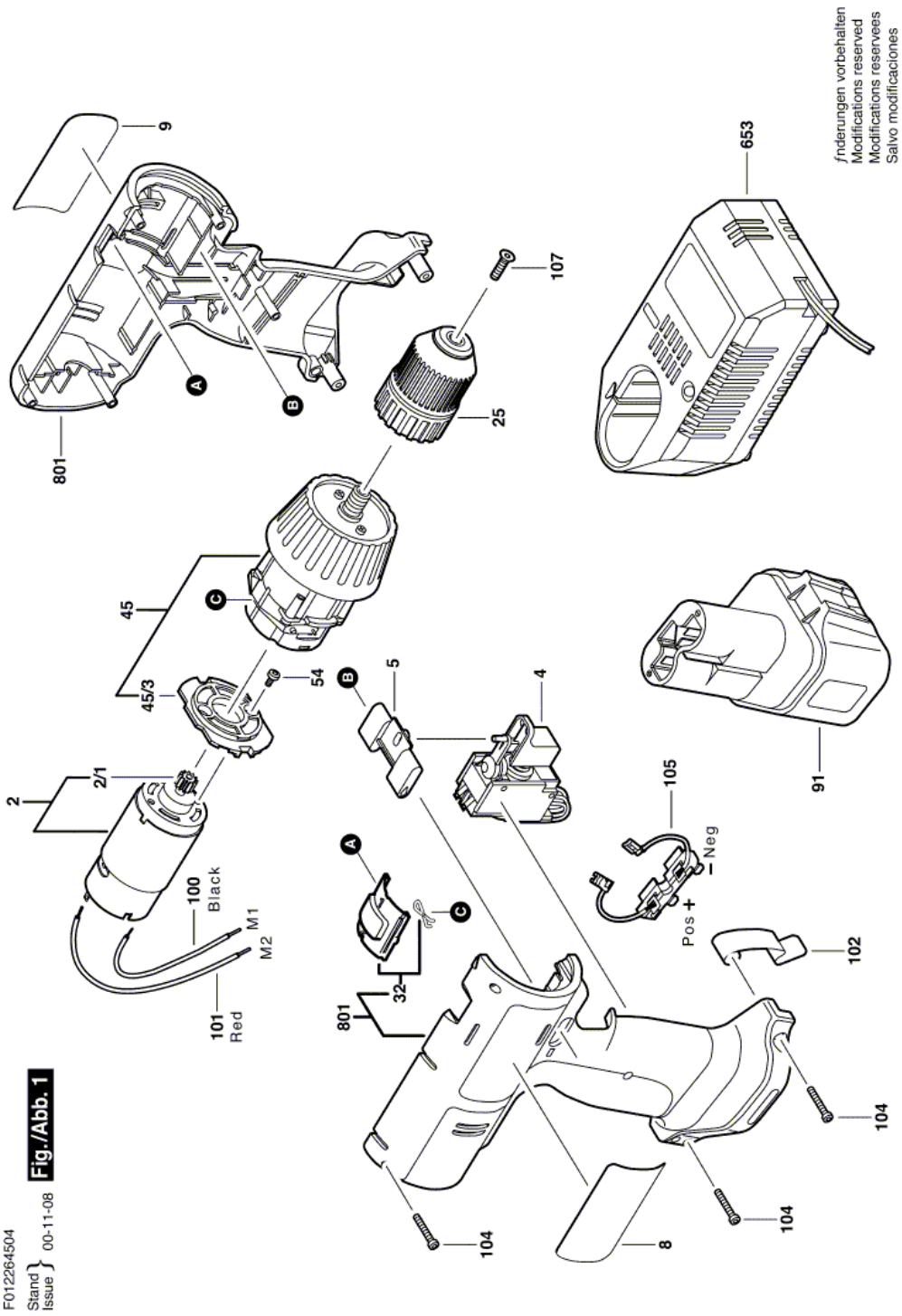


## Drill - F 012 264 504 - HD 2645 TYPE 1

Item	Part Number	Description	Illustration	Price	Quantity	Price Group
2	2 610 967 609	Motor	1	-,-	1	35
2/1	2 606 316 161	Pinion Z=12	1	-,-	1	15
4	2 610 967 100	On-Off Switch	1	-,-	1	-
5	2 610 967 613	Lever	1	-,-	1	-
8	2 610 911 751	Sticker	1	-,-	1	-
9	2 610 968 238	Sticker	1	-,-	1	-
25	2 610 908 303	Chuck 3/8"	1	-,-	1	32
32	2 610 910 668	Adjusting Slide	1	-,-	1	19
45	2 610 995 857	Drive	1	-,-	1	36
45/3	2 610 967 693	Washer	1	-,-	1	12
54	2 603 414 048	Torx SH cap screw M3x5-8.8-Z	1	-,-	2	11
91	2 610 967 606	Battery Set 9.6V/120V	1	-,-	1	-
100	2 610 967 634	Wire BLACK	1	-,-	1	11
101	2 610 967 635	Wire RED	1	-,-	1	11
102	2 610 351 018	Latch	1	-,-	1	13
104	2 610 909 719	Screw BLACK	1	-,-	7	11
105	2 610 910 986	Connector	1	-,-	1	14
107	2 609 110 721	Countersunk-Head Screw M5x20	1	-,-	1	11
653	2 610 967 697	Battery Charger USA 120/9.6V, 1h	1	-,-	1	-
801	2 610 910 679	Motor Housing	1	-,-	1	23

Illustration - Type E



Information subject to change without further notice.