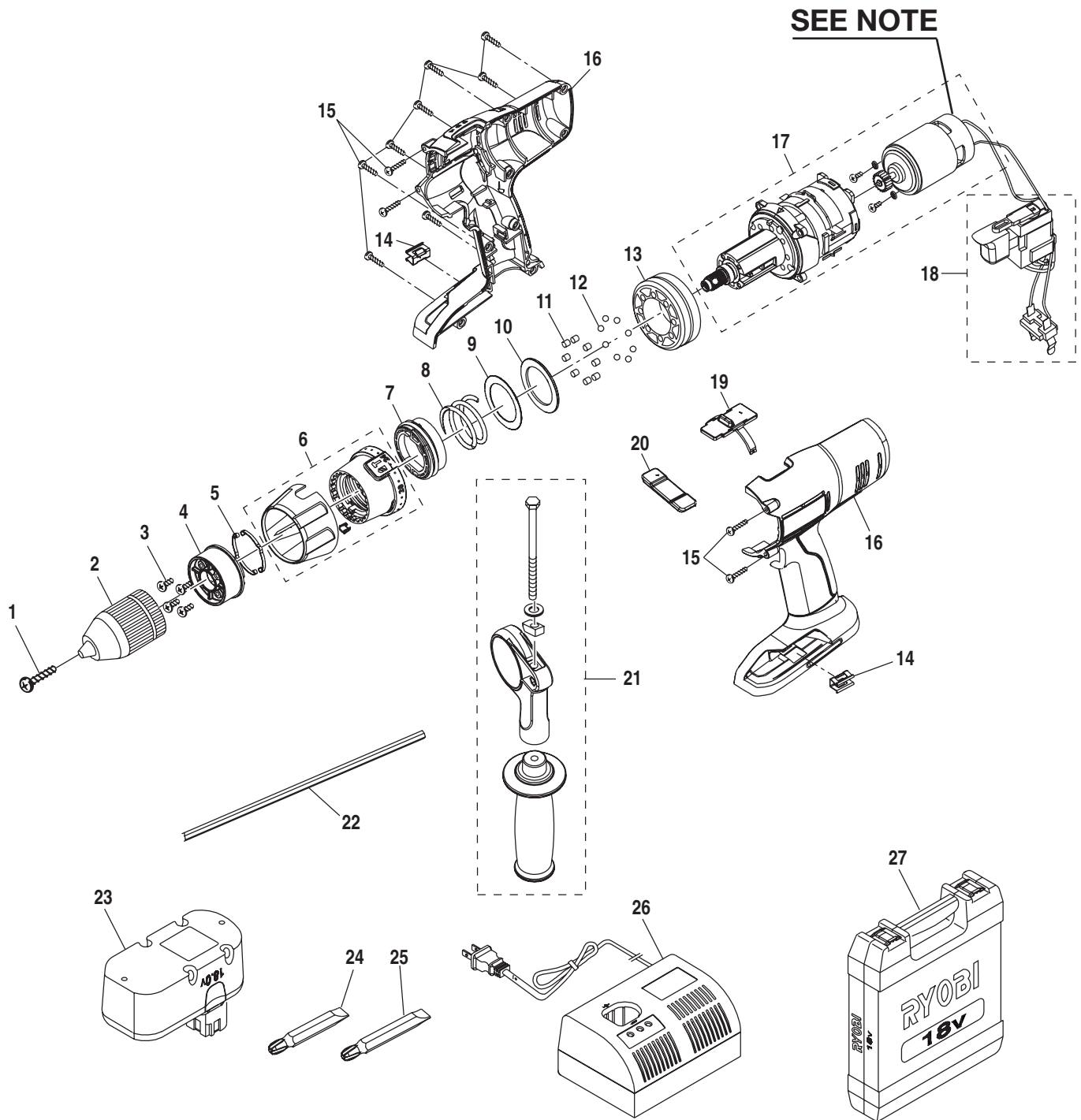


RYOBI 1/2 in. (13 mm) CORDLESS HAMMER DRILL – MODEL NUMBER HD1830



NOTE: The assembly shown represents an important part of the double insulated system. To avoid the possibility of alteration or damage to the system, service should be performed by your nearest Ryobi Authorized Service Center. For the service center nearest you call 1-800-525-2579.

RYOBI 1/2 in. (13 mm) CORDLESS HAMMER DRILL – MODEL NUMBER HD1830

The model number will be found on a plate attached to the motor housing. Always mention the model number in all correspondence regarding your **Hammer Drill** or when ordering repair parts.

PARTS LIST

| Key No. | Part Number | Description | Qty. |
|----------------|---------------------|-------------------------------------|-------------|
| 1 | 6613402 | SCREW (M6 X 1.0 X 27 mm LH)..... | 1 |
| 2 | 690032016 | CHUCK (1/2 in.)..... | 1 |
| 3 | 660206031 | SCREW (M3.5 X 15 mm) | 4 |
| 4 | 640845001 | SPRING PLATE HOLDER | 1 |
| 5 | 630207005 | SPRING PLATE..... | 2 |
| 6 | 985141-001 | CLUTCH CAP ASSEMBLY | 1 |
| 7 | 540343004 | SLEEVE..... | 1 |
| 8 | 680095004 | SPRING | 1 |
| 9 | 630748004 | CLUTCH CAP WASHER..... | 1 |
| 10 | 680403003 | CLUTCH WASHER | 1 |
| 11 | 680338007 | CLUTCH PIN | 8 |
| 12 | 6721901 | STEEL BALL (5.0 mm) | 8 |
| 13 | 640671001 | HANDLE MOUNTING..... | 1 |
| 14 | 6320601 | BIT CLIP | 2 |
| 15 | 6620805 | SCREW (M4 X 16 mm) | 12 |
| 16 | 985140-001 | HOUSING ASSEMBLY | 1 |
| 17 | 985142-001 | MOTOR W/GEAR TRAIN ASSEMBLY | 1 |
| 18 | 270023016 | SWITCH ASSEMBLY | 1 |
| 19 | 511372001 | SPEED SELECTOR..... | 1 |
| 20 | 540752002 | FORWARD/REVERSE BUTTON | 1 |
| 21 | 300188022 | HANDLE ASSEMBLY..... | 1 |
| 22 | 6341203 | HEXAGON GUIDE ROD GAUGE W/GEAR..... | 1 |
| 23 | 130224053 | BATTERY PACK..... | 1 |
| 24 | 6782044 | BIT | 1 |
| 25 | 6782045 | BIT | 1 |
| 26 | 1423701 | CHARGER | 1 |
| 27 | 300912021 | CARRYING CASE..... | 1 |
| 28 | 940237014 | DATA PLATE (NOT SHOWN)..... | 1 |
| 29 | 940203017 | LOGO PLATE (NOT SHOWN)..... | 1 |
| | 983000-339 | OPERATOR'S MANUAL | |
| | 2-22-13 (REV:03) | | |