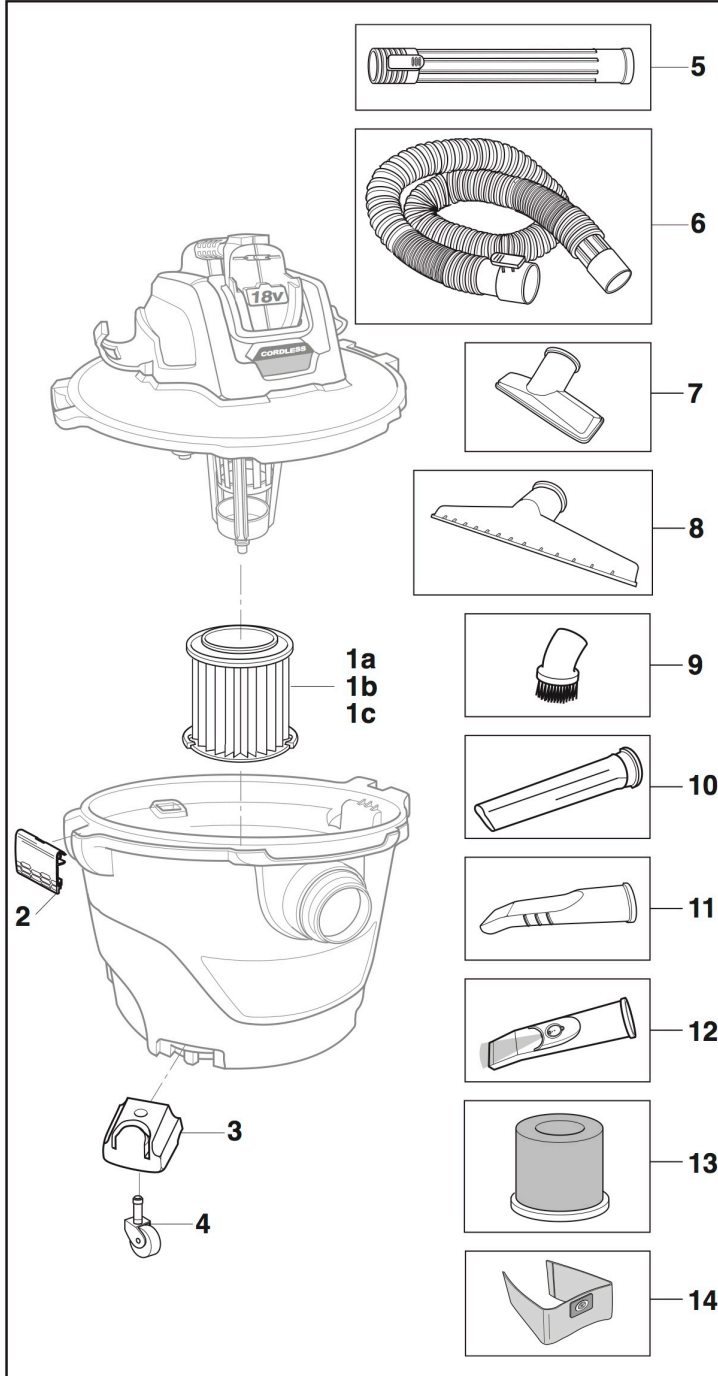


## Model Number HD09180 9 U.S. Gallon (34 Liter) Cordless Dual Battery Wet/Dry Vac

Always order by Part Number - Not by Key Number



Key Nos.	9 Gallon (34 Liter) HD09180 Part Numbers	Description
1a	VF4000	† Qwik Lock™ Filter
1b	VF5000	† Qwik Lock™ Fine Dust Filter
1c	VF6000	† Qwik Lock™ HEPA Media Filter
2	841700	Drum Latch
3	841174	Caster Foot w/Storage
4	73137	Caster (2" / 5 cm Diameter)
5	VT1708	† Extension Wand
6	VT1720	† Tug-A-Long Positive Locking Hose w/Dual-Flex™
7	VT1709	† Utility Nozzle (1-7/8" / 48 mm)
8	VT1710	† Wet Nozzle (1-7/8" / 48 mm)
9	VT1701	† Dusting Brush (1-7/8" / 48 mm)
10	VT1702	† Crevice Tool (1-7/8" / 48 mm)
11	VT1781	† Car Nozzle (1-7/8" / 48 mm)
12	VT1739	† LED Lighted Car Nozzle (1-7/8" / 48 mm)
13	VF7000	† Wet Filter
14	VF3503	† Dust Collection Bag

† These replacement parts are also available where you purchased your Vac.



**EMERSON**

© 2019 Emerson

02/19