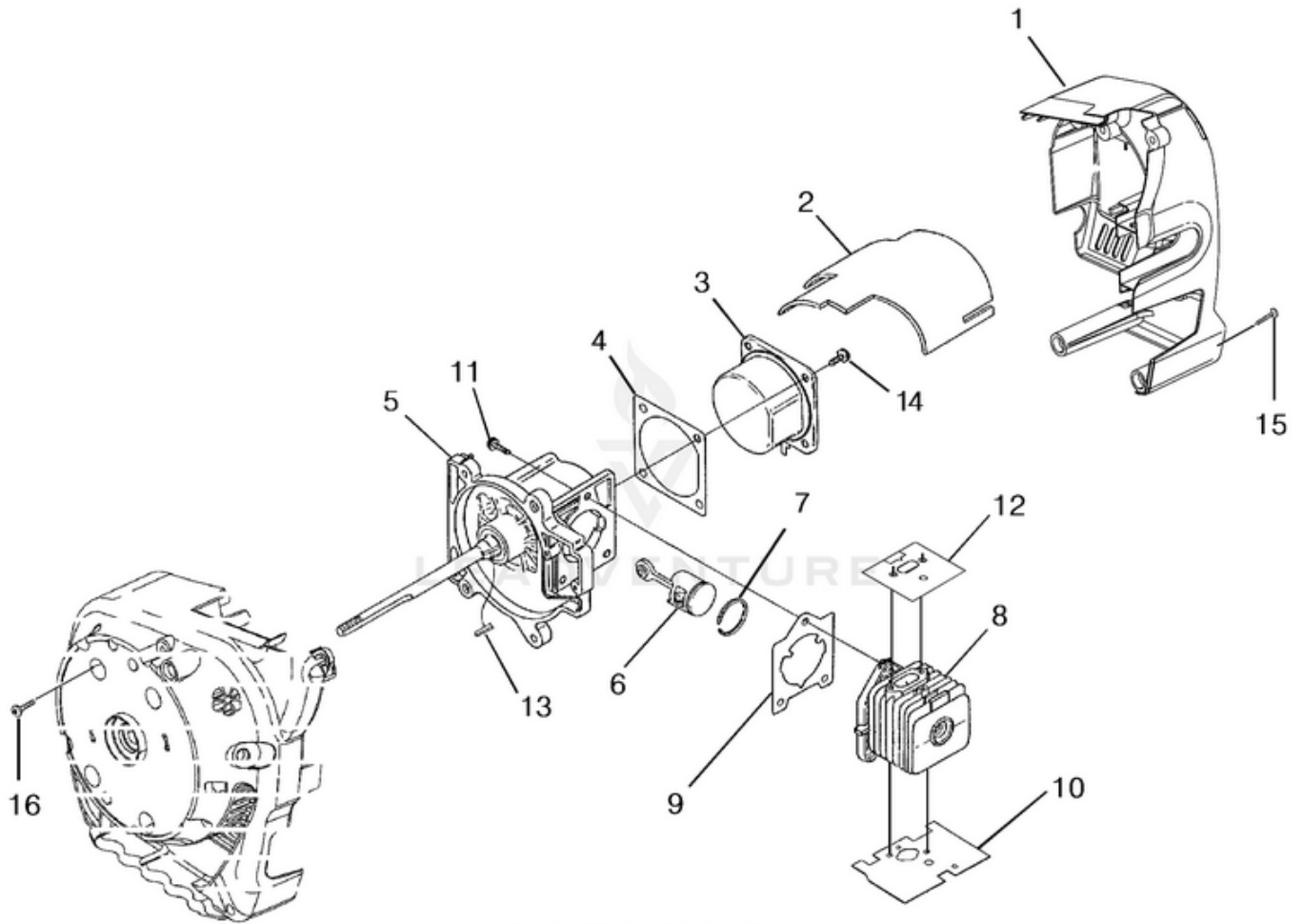




Ref #	Part #	Description	Qty	Context Note
1	UP04307	Screw, Machine (10-24 x 2.8)	2	Torque Specs 30-40 In/Lbs; 3.4-4.5 Nm; See "Muffler - Air Cleaner" Ref. No.10 for Torque Specs
2	UP03863	Heat Dam	1	
B	UP00654	Carburetor Assembly	1	
3	UP03916	Gasket, Carburetor	1	Also included with Short Block and Cylinder assemblies.
4	UP04278	Lever, Choke (Zama)	1	
5	UP04140	Screw, Sems (10-24 x 1")	2	Also included with Short Block and Cylinder assemblies; Torque Specs 50-60 In/Lbs; 5.6-6.8 Nm
F	UP00495	Fuel Tank Assy.	1	
6	UP04708	Fuel Cap	1	
7	UP03871	Fuel Filter	1	
8	UP04347	Tubing, Rubber (3")	1	
9	UP04294	Tubing, Rubber (5")	1	
10	UP04310	Fitting, Inlet	1	(Small for 2.5mm ID fuel line)
	UP03831	Fitting, Inlet	1	(Large for 3mm ID fuel line)
11	UP03913	Clamp, Wire	1	
12	UP03900	Screw, Thread Forming (10-14 x 3/4)	3	Torque Specs 30-40 In/Lbs; 3.0-4.0 Nm
13	UP03867	Washer	3	
14	UP03907	Tape, Aluminum	1	
15	UP04308	Gasket, Heat Dam	1	Also included with Short Block and Cylinder assemblies.
16	UP04294	Tubing, Rubber (5")	1	

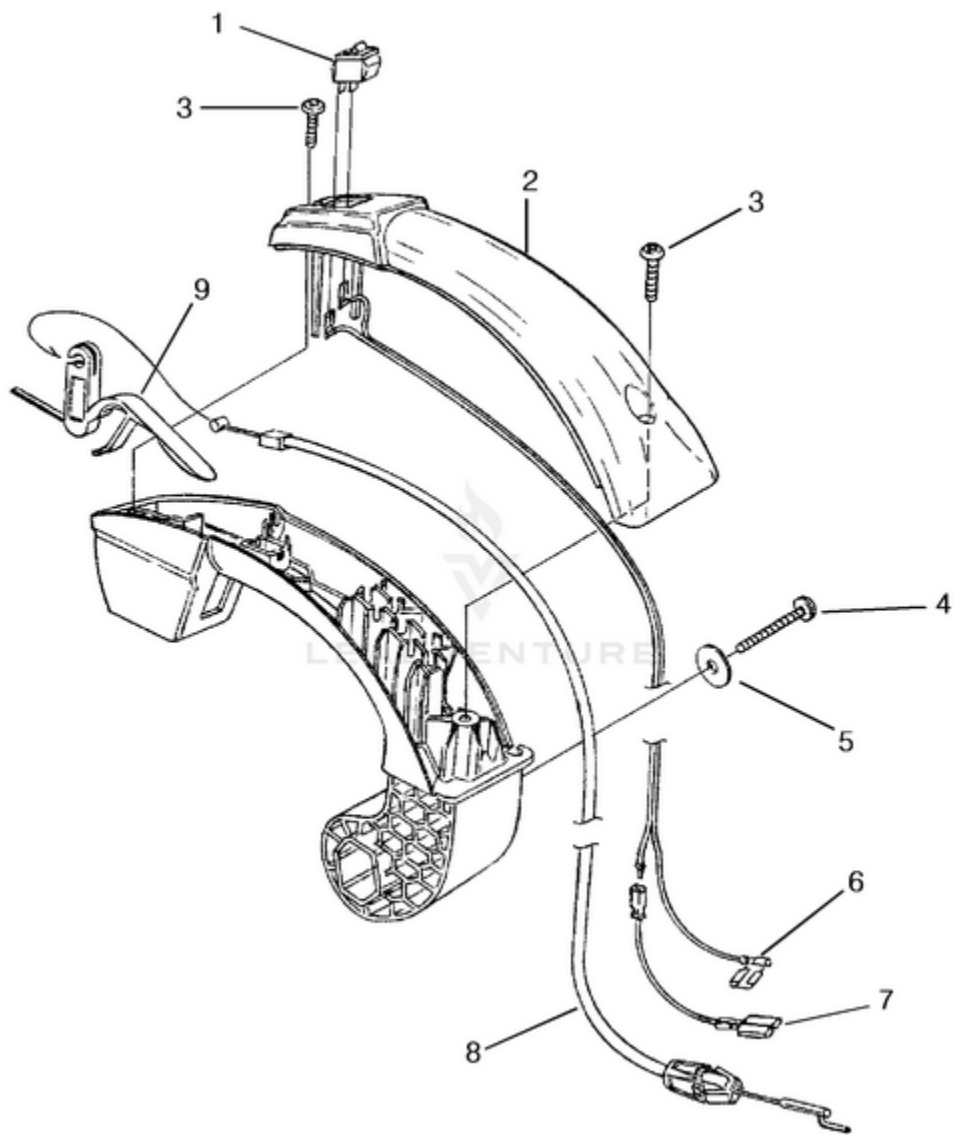
HB25250 Blower UT-08071-R - Engine Internal



Rendered by LeadVenture, Inc.

Ref #	Part #	Description	Qty	Context Note
1	UP04314	Shroud	1	
2	UP04322	Heat Shield, Muffler	1	
3	UP06543	Crankcase Cover	1	
4	UP04335	Gasket, C/Case	1	Also included with Short Block and Cylinder assemblies
5	UP00759	Short Block (Svc)(30cc)	1	
6	UP03366	Piston & Rod (30cc)	1	
7	UP03837	Piston Ring (30cc)	2	Ring for single ring 30CC piston 04933
8	UP07146	Cylinder Kit (30cc)	2	
9	UP03857	Gasket, Cylinder	1	
10	UP04308	Gasket, Heat Dam	1	
11	UP04345	Screw, Sems (12-24 x 3/4)	3	Torque Specs 55-65 In/Lbs; 6.2-7.3 Nm; Red 262 Loctite Required
12	UP04350	Gasket, Muffler	1	
13	UP03874	Key, Woodruff	1	
14	UP04295	Screw, Sems (10-24 x .560)	4	Torque Specs 35-45 In/Lbs; 4.0-5.1 Nm; Red 262 Loctite Required
5	UP00756	Short Block (Svc)(25cc)	1	
6	UP00768	Piston & Rod (25cc)	1	
7	PS01359	Piston Ring (25cc)	1	
8	UP07145	Cylinder Kit (25cc)	1	
9	UP03857	Gasket, Cylinder	1	
10	UP04308	Gasket, Heat Dam	1	
11	UP04345	Screw, Sems (12-24 x 3/4)	3	Torque Specs 55-65 In/Lbs; 6.2-7.3 Nm; Red 262 Loctite Required
12	UP04350	Gasket, Muffler	1	
13	UP03874	Key, Woodruff	1	
14	UP04295	Screw, Sems (10-24 x .560)	4	Torque Specs 35-45 In/Lbs; 4.0-5.1 Nm; Red 262 Loctite Required
15	UP03895	Screw, Thread Forming (10-14 x 7/8)	5	Torque Specs 30-40 In/Lbs; 3.4-4.6 Nm
16	UP03406	Taptite, Truss (10-24 x 3/4)	4	Torque Specs 55-60 In/Lbs; 6.2-6.8 Nm

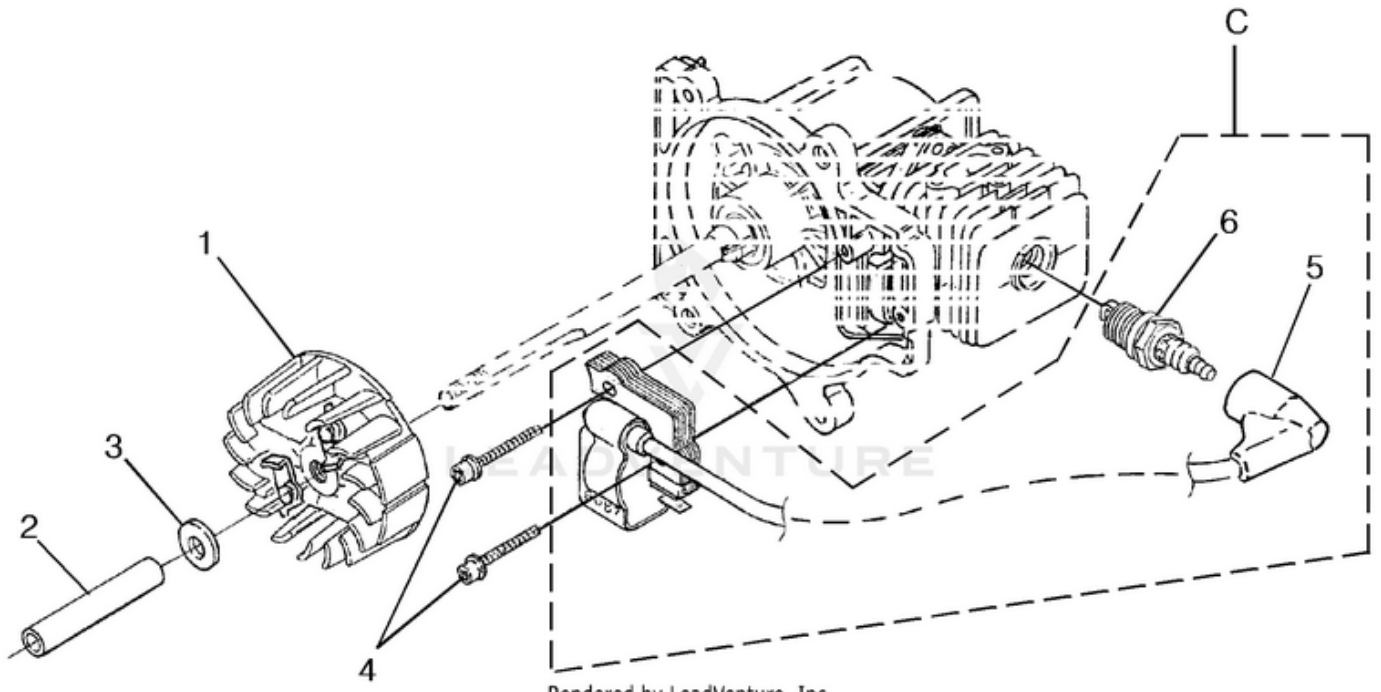
HB25250 Blower UT-08071-R - Handle



Rendered by LeadVenture, Inc.

<b>Ref #</b>	<b>Part #</b>	<b>Description</b>	<b>Qty</b>	<b>Context Note</b>
	UP06900	Handle Assembly	1	
1	UP04320	Switch, Rocker(Stop)	1	
2	UP04325	Handle Cover	1	
3	UP03898	Screw, Thread Forming (8-16 X 1/2)	2	Torque Specs 10-25 In/Lbs; 1.1-2.8 Nm
4	UP03895	Screw, Thread Forming (10-14 X 7/8)	1	Torque Specs 30-45 In/Lbs; 3.4-5.1 Nm
5	UP06901	Washer, Flat	1	
6	UP04333	Kill Switch Lead	1	
7	UP04327	Cable, Throttle	1	
8	UP04326	Trigger	1	
9		UNKNOWN		

HB25250 Blower UT-08071-R - Ignition

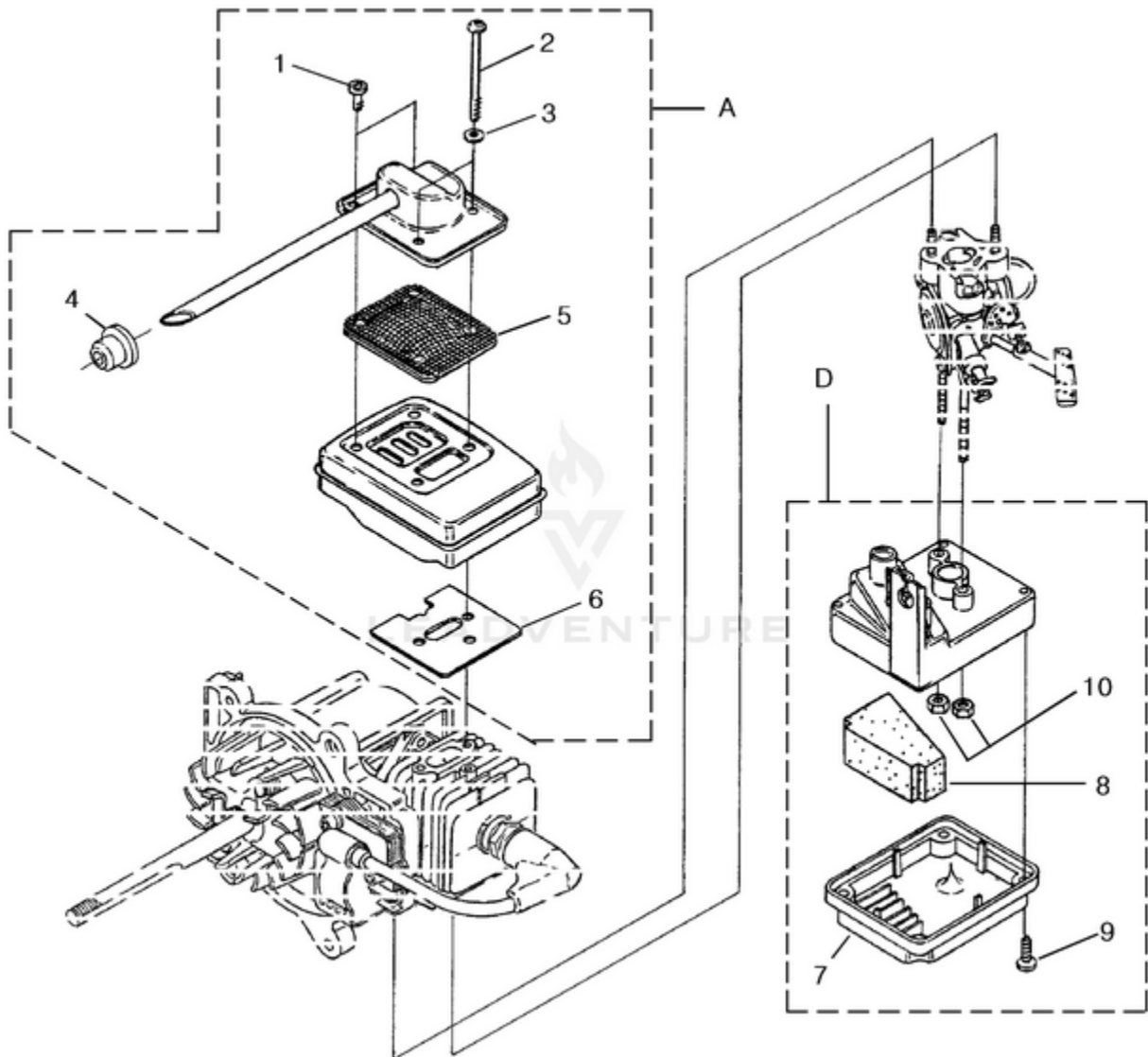


Rendered by LeadVenture, Inc.

<b>Ref #</b>	<b>Part #</b>	<b>Description</b>	<b>Qty</b>	<b>Context Note</b>
1	UP03856	Rotor & Starter Pawls	1	
2	UP03855	Spacer	1	
3	UP03906	Washer, Flat	1	
4	UP03896	Screw-Thread Forming (8-32 X 1)	2	Torque Specs 30-40 In/Lbs; 3.4-4.5 Nm; Blue 242 Loctite Required
C	UP03858	Ignition Kit	1	
5	UP03868	Terminal & Cover	1	
6	UP03883	Resistor Spark Plug (RDJ-7Y)	1	Torque Specs 120-180 In/Lbs; 13.6-20.3 Nm



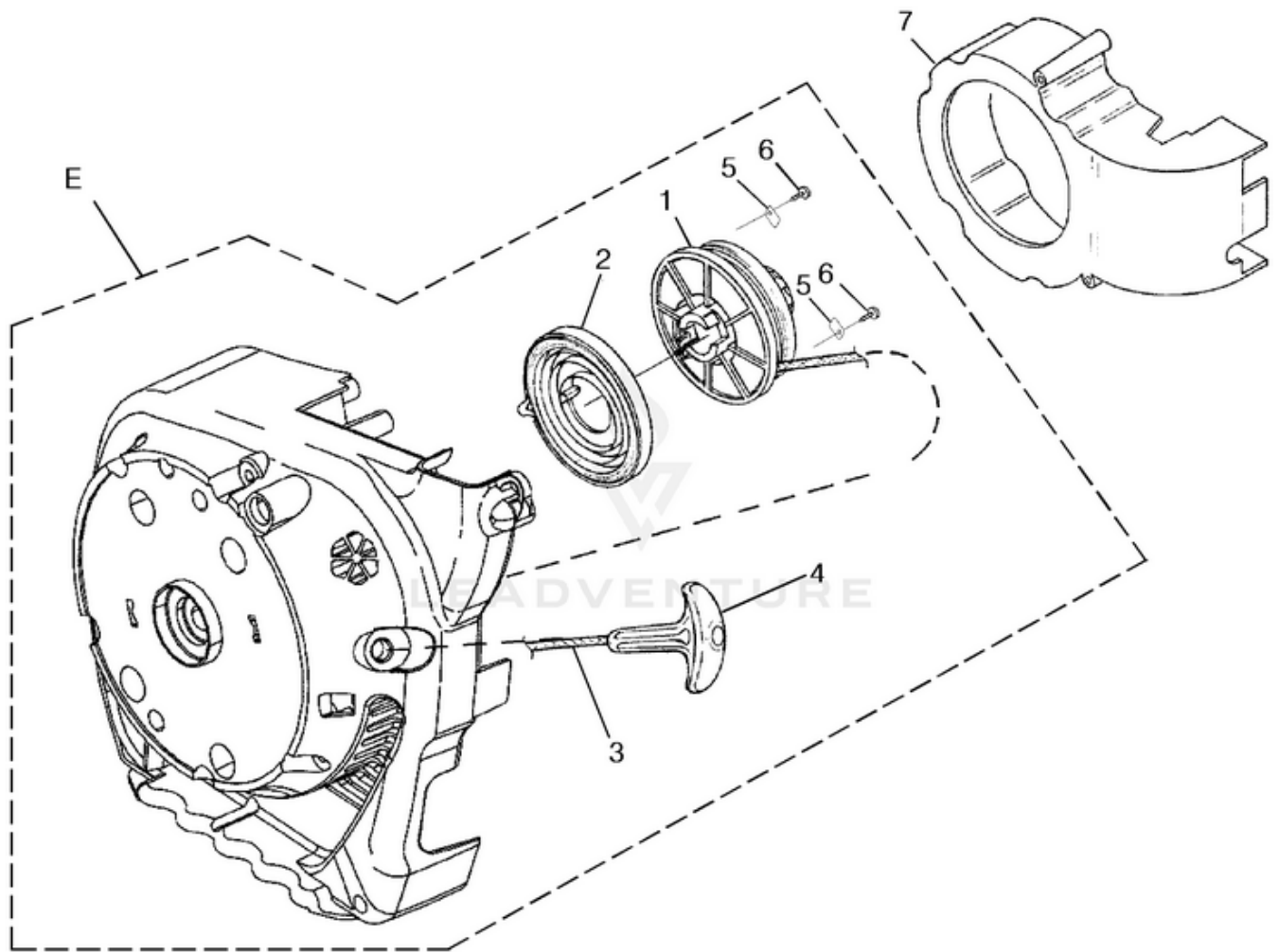
HB25250 Blower UT-08071-R - Muffler - Air Cleaner



Rendered by LeadVenture, Inc.

<b>Ref #</b>	<b>Part #</b>	<b>Description</b>	<b>Qty</b>	<b>Context Note</b>
A	UP06823	Muffler Assembly, Crimped	1	
1	UP04248	Screw, Taptite (8-32 x 3/8)	2	Torque Specs 20-30 In/Lbs; 2.3-3.4 Nm
2	UP04249	Screw, Torx Truss Hd. (10-24 X 2.188")	2	Torque Specs 50-60 In/Lbs; 5.6-6.8 Nm
3	UP03866	Washer, Conical #10	2	
4	UP04321	Muffler Grommet	1	
5	UP04316	Screen Assy., Spark	1	
6	UP03817	Gasket, Muffler	1	Also included with Short Block and Cylinder assemblies.
D	UP06824	Air Filter Assembly	1	
7	UP04318	Cover, Air Box	1	
8	UP04323	Filter Element #1	1	
9	UP03893	Screw, Thread Forming (8-16 X .50)	4	Torque Specs 30-40 In/Lbs; 3.4-4.5 Nm
10	UP03885	Nut, Lock Hex (10-24)	2	Torque Specs 30-40 In/Lbs; 3.4-4.5 Nm

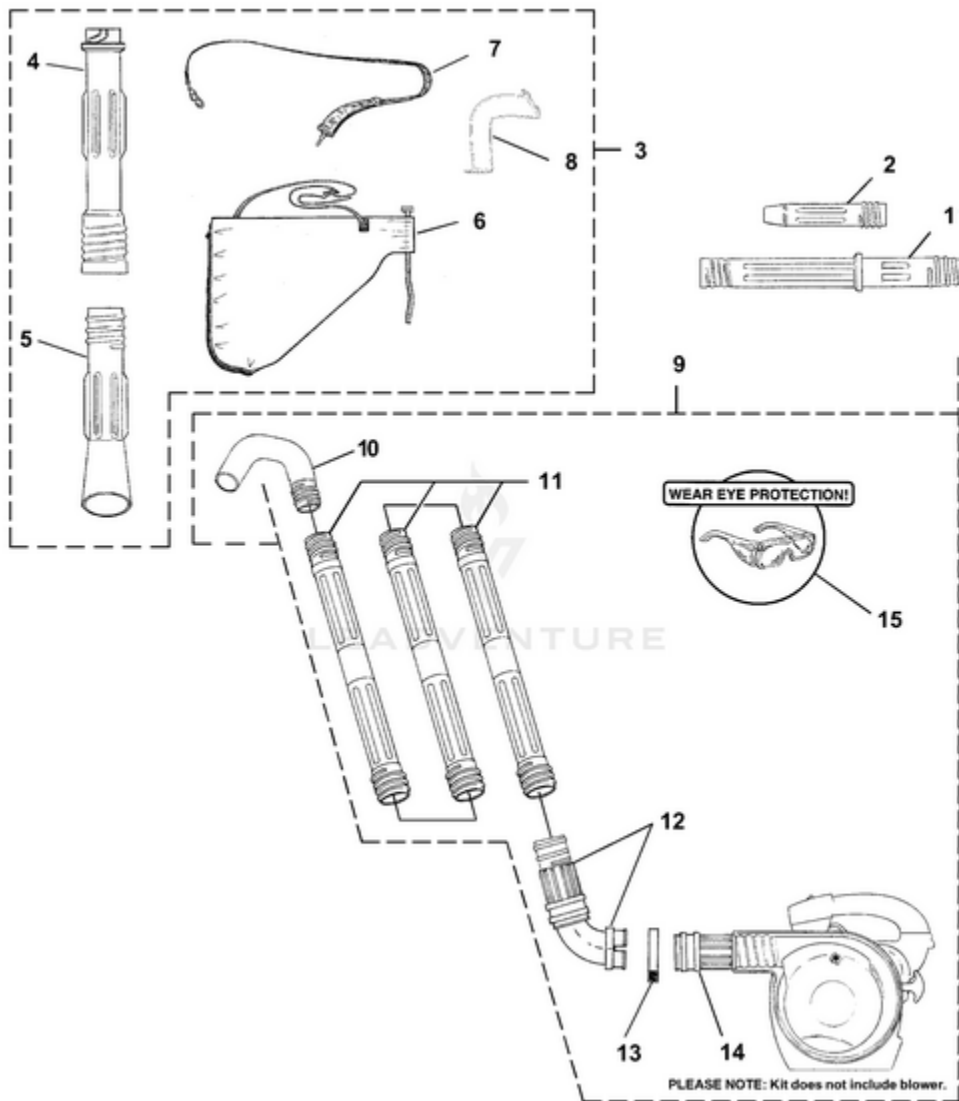
HB25250 Blower UT-08071-R - Starter



Rendered by LeadVenture, Inc.

<b>Ref #</b>	<b>Part #</b>	<b>Description</b>	<b>Qty</b>	<b>Context Note</b>
E	UP00497	Starter (Svc)	1	
1	UP04349	Pulley, Starter	1	
2	UP03917	Spring & Container	1	
3	UP03912	Rope, Starter 42"	1	
4	UP04276	Grip, Starter (Black)	1	
5	UP03919	Bracket-Retaining	2	
6	UP03897	Screw-Plastite (#10-1/2")	2	Torque Specs 30-40 In/Lbs; 3.4-4.5 Nm
7	UP04319	Scroll	1	

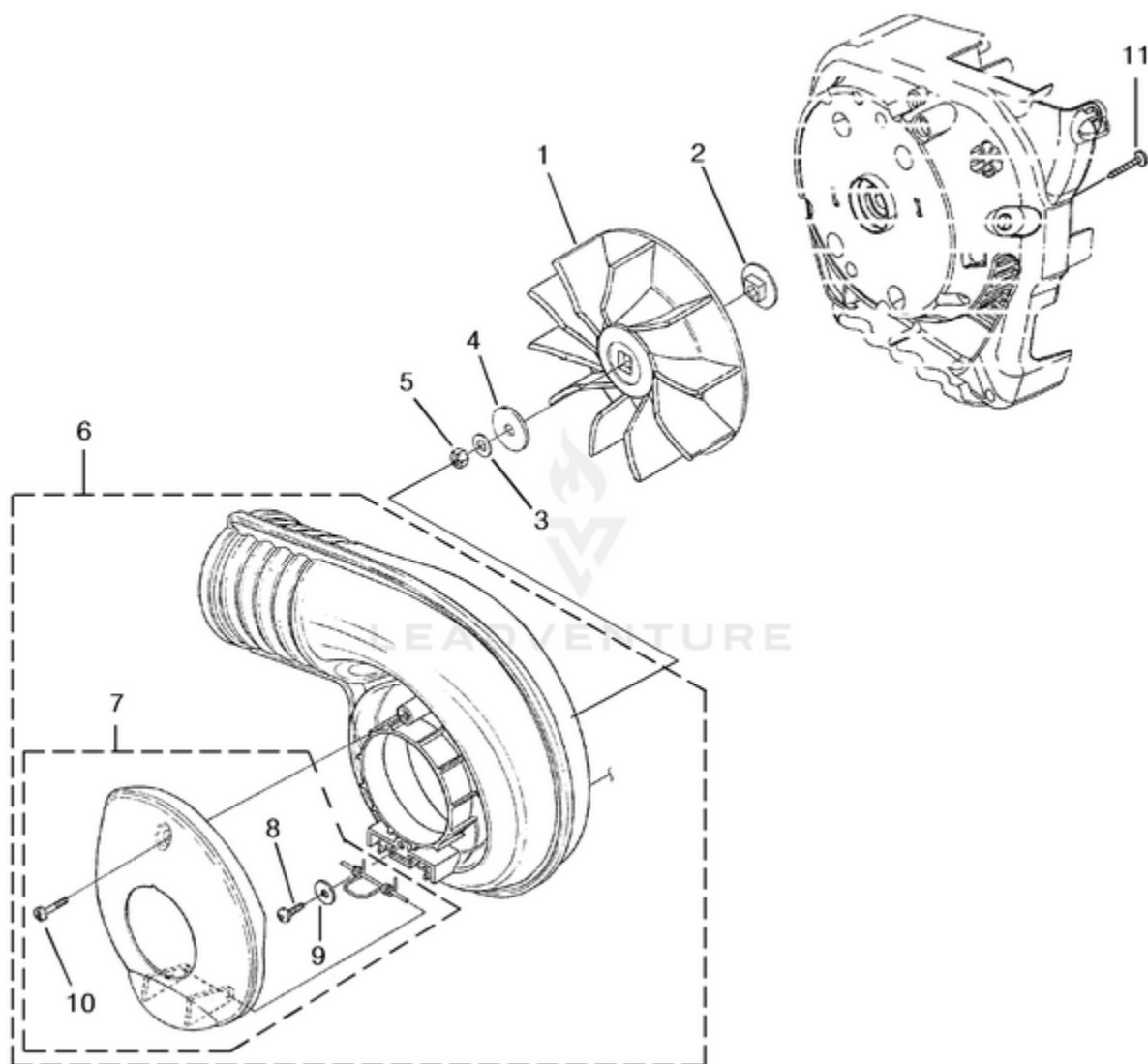
HB25250 Blower UT-08071-R - Tubes -Straps - Accessories



Rendered by LeadVenture, Inc.

<b>Ref #</b>	<b>Part #</b>	<b>Description</b>	<b>Qty</b>	<b>Context Note</b>
1	UP04317	Tube, Blower	1	
2	UP04324	Nozzle, Blower	1	
3	A09293	Vacuum Kit		
4	UP04328	Vac Tube, Upper	1	
5	UP04329	Vac Tube, Lower	1	
6	UP04548	Bag	1	
7	UP06723	Shoulder Strap	1	(Optional for UT08107 after S/N MB0660000)
8	UP06902	Air Deflector	1	
9	A02514D	Gutter Maintenance Kit	1	
10	UP06830	Full Elbow	1	
11	UP05618	Straight Tube	3	
12	UP06836	Upper Elbow & Swivel Adapter	1	
13	UP03821	Large Clamp	1	
14	UP06868	Adapter	1	
15	UP06835	Safety Glasses - Clear	1	
	18416	Electronic Tachometer		Special Tools
	18774	Fuel Mix Tester		Special Tools
	23488C	Thread Locking Compound		Special Tools
	2498203	T25 Torx Bit 6" Long		Special Tools
	94194	Compression Tester		Special Tools
	JA313164	Spark Tester		Special Tools

HB25250 Blower UT-08071-R - Volute - Fan

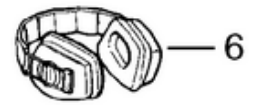
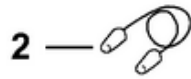
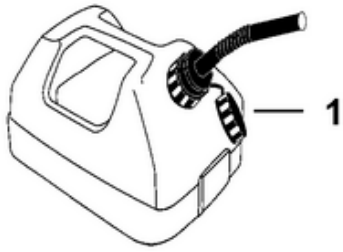


Rendered by LeadVenture, Inc.

<b>Ref #</b>	<b>Part #</b>	<b>Description</b>	<b>Qty</b>	<b>Context Note</b>
1	UP04311	Fan	1	
2	UP04303	Adapter, Fan	1	
3	UP03835	Washer, Belleville	1	
4	UP03873	Washer, Flat	1	
5	UP03884	Nut (3/8-24)	1	Torque Specs 130-150 In/Lbs; 14.7-17.0 Nm
6	UP06899	Volute W/Door Assembly	1	
7	UP06898	Volute Door	1	
8	UP03897	Screw, Thread Forming (10-14 X 1/2)	1	Torque Specs 30-40 In/Lbs; 3.4-4.5 Nm
9	UP03909	Washer	1	
10	UP04547	Screw, Machine (10-24 X 3/4)	1	Torque Specs 15-20 In/Lbs; 1.7-2.3 Nm
11	UP03895	Screw, Plastite (10-14 X 7/8)	5	Torque Specs 35-45 In/Lbs; 4.0-5.0 Nm



HB25250 Blower UT-08071-R - Accessories



Rendered by LeadVenture, Inc.

<b>Ref #</b>	<b>Part #</b>	<b>Description</b>	<b>Qty</b>	<b>Context</b>	<b>Note</b>	<b>MSRP</b>
1	A02976A	GAS CAN 1 1/4 Gallon				
2	UP06839	EAR PLUGS				
3	UP06835	SAFETY GLASSES-Clear				
4	01231D	EXACT MIX (TM) Oil - 1 pint (50:1)				
5	A06778	GOGGLES				
6	UP07694	EAR PROTECTORS				