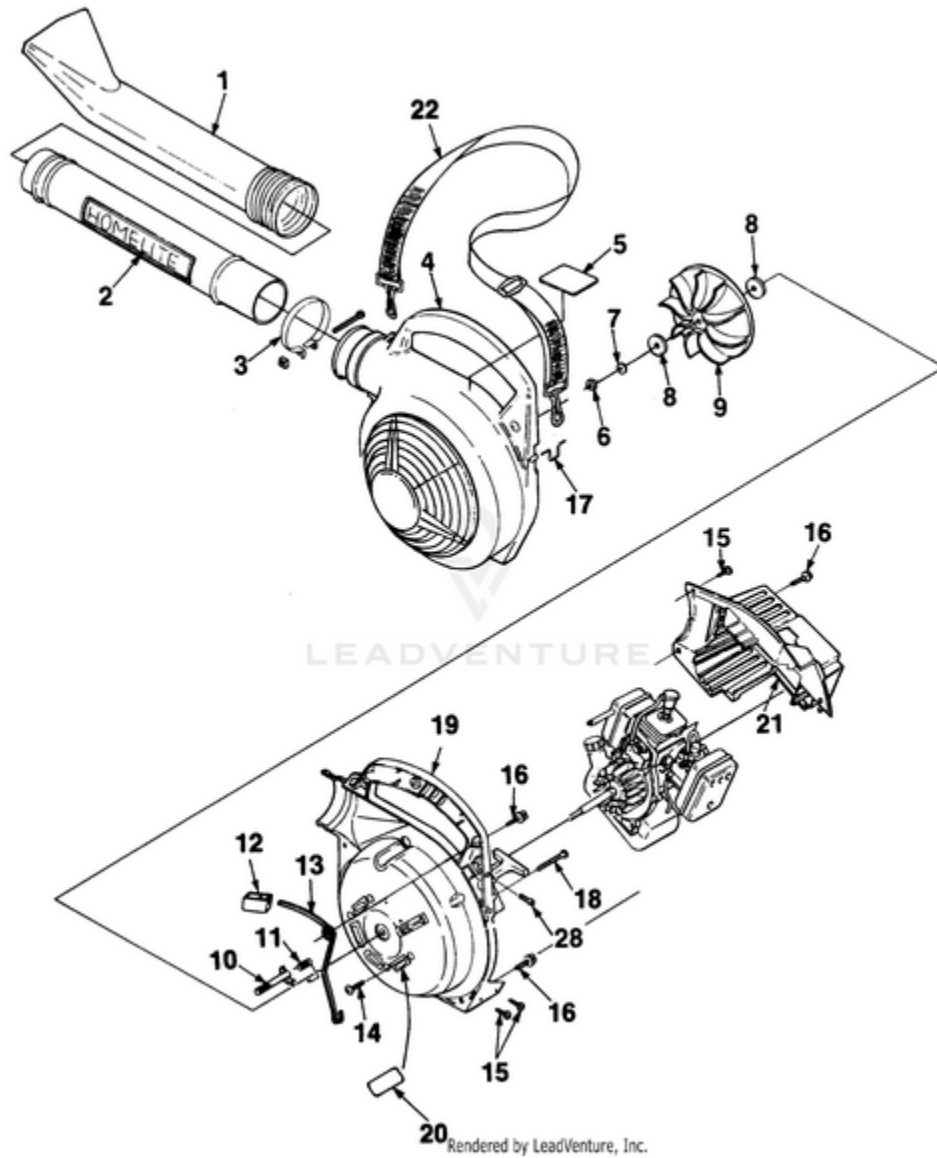
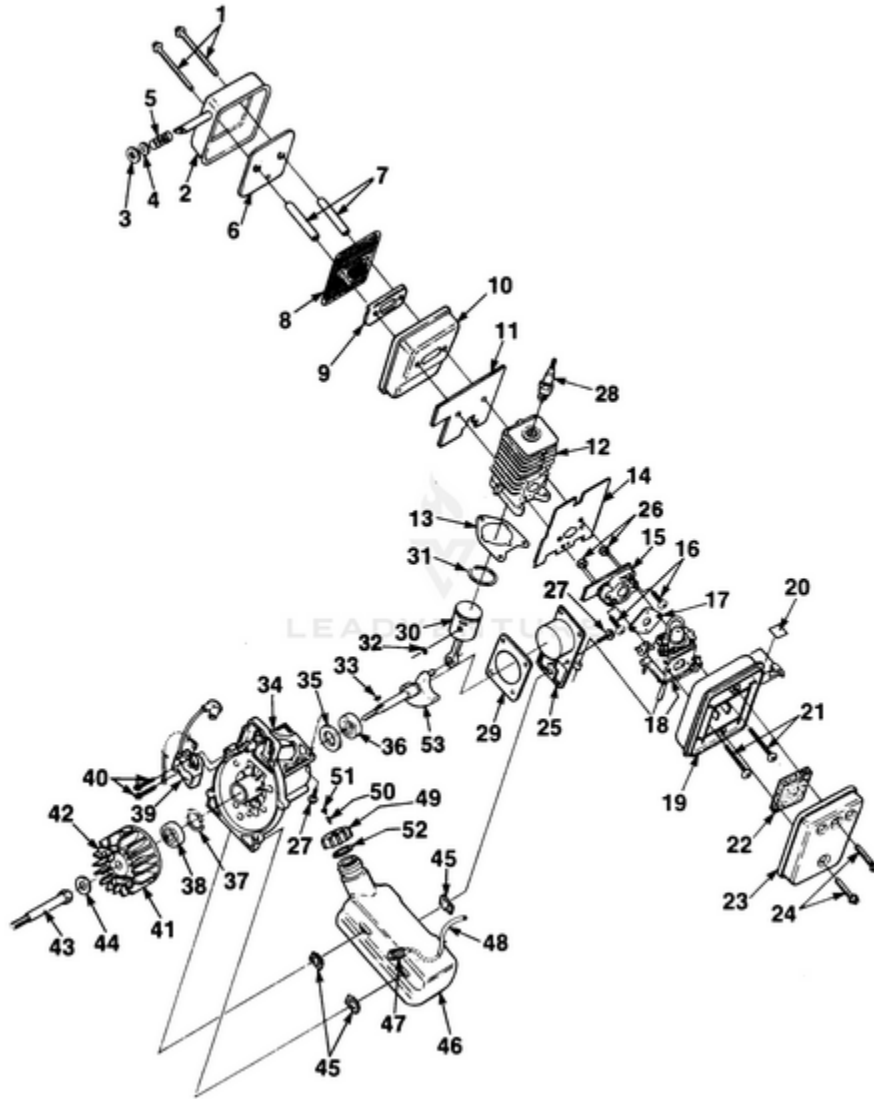


HB100 Blower UT-08011 - Blower



Ref #	Part #	Description	Qty	Context Note
1	00373	NOZZLE - Sweeper	1	
2		TUBE w/DECAL	1	
3	00433	CLAMP	1	
4	01039	HOUSING - Volute (outer)	1	
5	00375	DECAL - Warning	1	
6	81117	NUT - Hex 5/16-24	1	
7	70788	WASHER - Belleville #10	1	
8	00380	WASHER - Flat	2	
9	00318	FAN - Blower	1	
10	00368	LATCH - Throttle	1	
11	00370	SPRING - Throttle latch	1	
12	00367	TRIGGER - Throttle	1	
13	00369	LEVER - Throttle	1	
14	82508	SCREW - Thd Forming	1	
15	82348	SCREW - Tapping pan #8 x 1/2	4	
16	70771	SCREW - Thd forming #10 x 3/4	8	
17	00398	LOOP - Wire	1	
18	JA416903	SCREW - Hex hd. #10 x 1 5/8	1	
19	A00814A	HOUSING - Volute (inner)	1	(Includes #20)
20	A00813A	KIT - Sealing	1	
21	00321	SHROUD	1	
22	DA98138A	STRAP - Shoulder (Acc.)	1	
28		UNKNOWN		

HB100 Blower UT-08011 - Engine

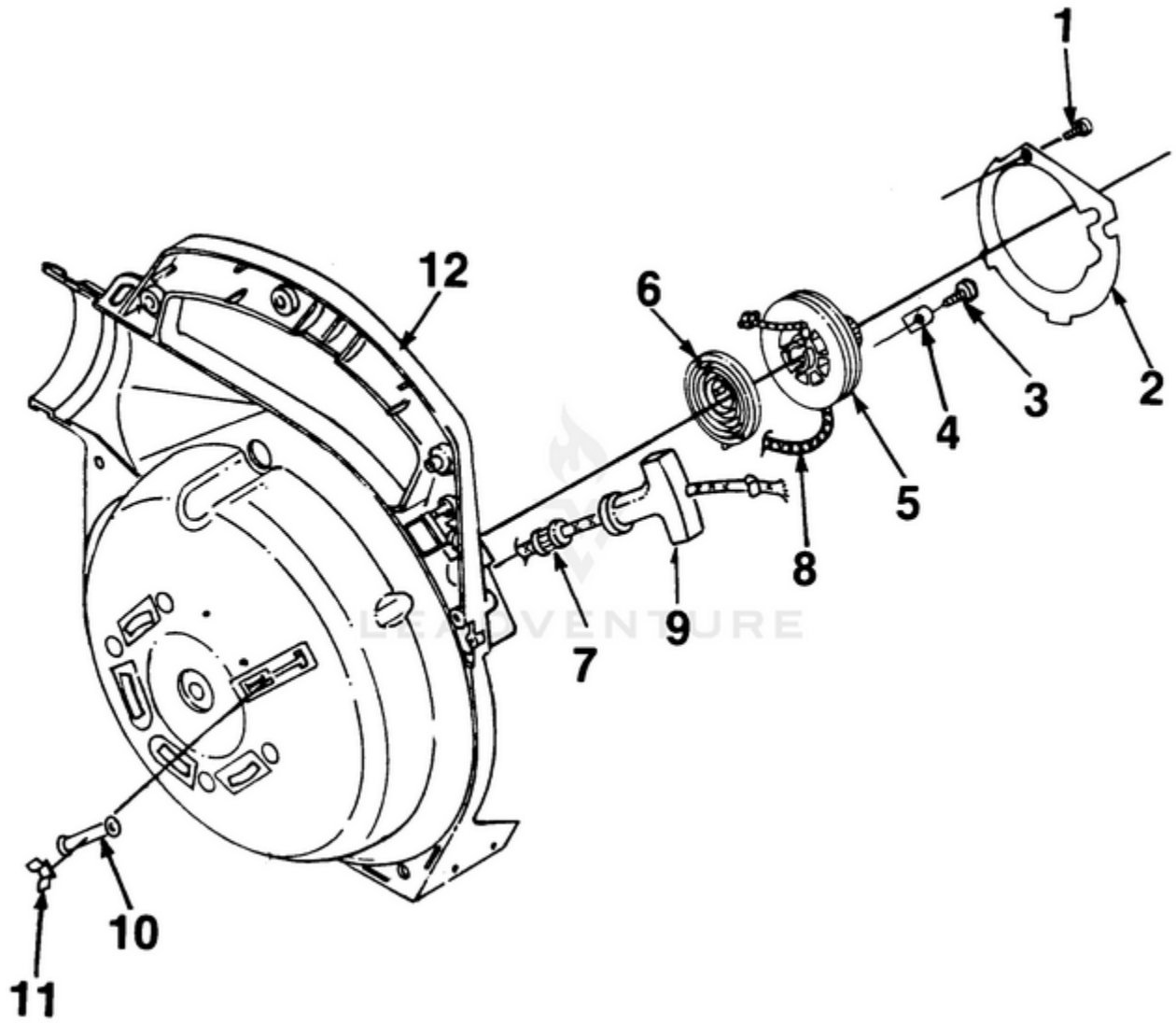


Rendered by LeadVenture, Inc.

Ref #	Part #	Description	Qty	Context Note
1	88060	SCREW - Sems Hex Hd. (10-24 x 2 1/2)	2	
2	A00366	COVER - Muffler	1	
3	00381	WASHER - Insulating	1	
4	84117	WASHER - Flat	1	
5	00387	SPRING - Compression	1	
6	00777	DEFLECTOR - Muffler	1	
7	98860	SPACER - Muffler	2	
8	00388B	SCREEN - Spark arrestor	1	
9	98783	PLATE - Reinforcing	1	
10	98781	BODY - Muffler	1	
11	00394A	GASKET - Muffler	1	
12	A00108	CYLINDER	1	(Includes #13)
13	98764	GASKET - Cylinder	1	
14	00775	GASKET - Heat dam	1	
15	98768	HEAT DAM	1	
16	82510	SCREW - (10-24)	2	
17	98766	GASKET - Carburetor	1	
18	A00378	CARBURETOR (WT-80) Walbro	1	
19	A00110	BOX - Air filter	1	
20	98942	DECAL - Choke/Run	1	
21	82507	SCREW - Thread Forming (10-24 x 1)	2	
22	D98760	AIR FILTER	1	
23	98761	COVER - Air filter	1	
24	82368	SCREW - Thread forming 8-16 x 3/4	2	
25	98754A	COVER - Crankcase	1	
26	81208	NUT - Hex (1/4-28 x 3/4)	2	
27	82508	SCREW - Thd forming #10-24 x 3/4	3	
28	96169S	SPARK PLUG	1	
29	98767	GASKET - Crankcase	1	
30	A01036A	PISTON & ROD ASSEMBLY	1	(Includes # 31 & 32)
31	96935	RING - Piston	1	
32	65261	RING - Piston retaining	2	
33	69250	KEY - Woodruff	1	
34	A00107	CRANKCASE ASSEMBLY	1	(Includes # 35 - 38)
35	98800	SEAL - Shaft	1	
36	98797	BEARING - Ball	1	
37	98799	RING - Retaining	1	
38	98798	BEARING - Ball	1	
39	94711B	MODULE - Ignition	1	
40	82509	SCREW - Thd forming 8-32 x 1	2	
41	A95007	ROTOR & STARTER PAWL	1	(Includes 42)

Ref #	Part #	Description	Qty	Context Note
42	A70285D	STARTER PAWL KIT	1	
43	00377	ADAPTER - Fan	1	
44	84065	WASHER - Flat 5/16	1	
45	98792	BUMPER - Rubber	3	
46	A00098A	TANK - Fuel	1	(Includes #47 & 48)
47	49422	FILTER - Fuel	1	
48	9477228	TUBING - Rubber	1	
49	A00099	FUEL CAP ASSEMBLY	1	(Includes #50 - 52)
50	98819	VALVE - Duck Bill	1	
51	98913	FILTER	1	
52	98805	GASKET - Fuel cap	1	
53	987583	CRANKSHAFT	1	

HB100 Blower UT-08011 - Starter



Rendered by LeadVenture, Inc.

Ref #	Part #	Description	Qty	Context Note
1	82528	SCREW - Thread Forming (#6-19 x 3/4 lg.)	1	
2	00374	PLATE - Rotor	1	
3	82511	SCREW - Thd. forming 10 x 1/2	1	
4	98791	BRACKET - Retaining	1	
5	98770	PULLEY - Starter	1	
6	A98773	SPRING & CONTAINER	1	
7	A97796	BUSHING - Starter	1	
8	97899	ROPE - Starter 46"	1	
9	70211	GRIP - Starter rope	1	
10	00364	BUSHING - Starter rope	1	
11	00379	CLIP - Retainer	1	
12	A00814A	HOUSING - Volute (inner)	1	