

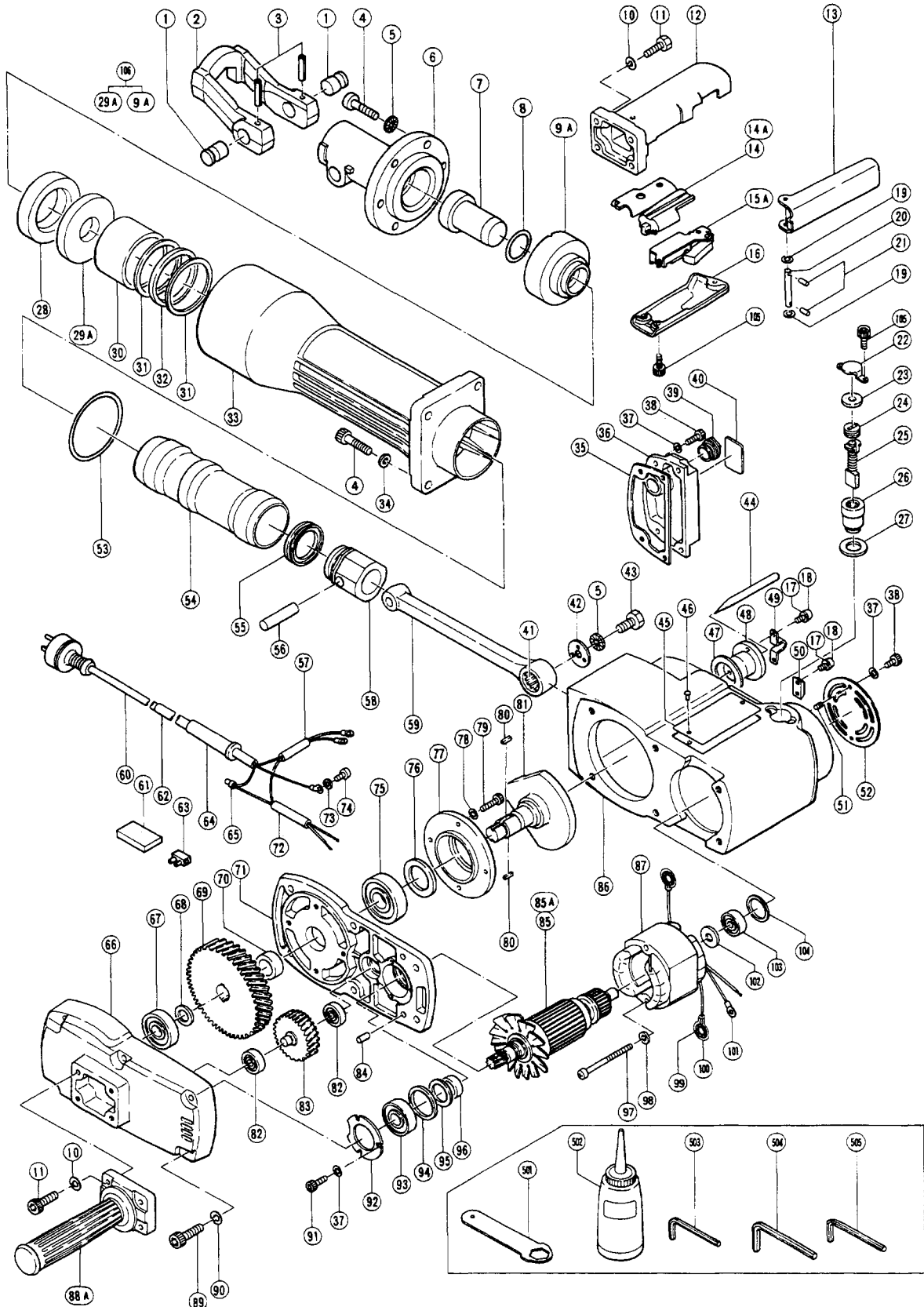
HITACHI

LIST NO. 0458

ELECTRIC TOOL PARTS LIST

■HAMMER
Model H 85

1994 · 6 · 3
(E4)



PARTS

H 85

| ITEM NO. | CODE NO. | DESCRIPTION | NO. USED | REMARKS |
|----------|----------|--|-------------------------------------|----------------|
| 1 | 985-224 | LEVER PIN | 2 | |
| 2 | 985-225 | RETAINER | 1 | |
| 3 | 949-874 | ROLL PIN D6X36 (10 PCS.) | 2 | |
| 4 | 985-226 | SEAL LOCK BOLT M10X40 | 10 | |
| 5 | 956-487 | BELLEVILLE SPRING M10 | 7 | |
| 6 | 985-223 | FRONT COVER | 1 | |
| 7 | 985-222 | SECOND HAMMER | 1 | |
| 8 | 956-503 | O - RING (A) | 1 | |
| 9A | 985-236 | HAMMER HOLDER | 1 | |
| 10 | 949-457 | SPRING WASHER M8 (10 PCS.) | 8 | |
| 11 | 949-759 | HEX. SOCKET HD. BOLT M8X30 (10 PCS.) | 8 | |
| 12 | 985-228 | HANDLE | 1 | |
| 13 | 956-524 | SWITCH LEVER | 1 | |
| * | 14 | 981-869 | SUPPORT | 1 TILL 7.1988 |
| * | 14 | 981-986Z | SUPPORT (A) | 1 FOR AUS |
| * | 14A | 990-082 | SUPPORT (E) | 1 SINCE 8.1988 |
| * | 15A | 992-891 | SWITCH (A) (1P SCREW TYPE) W/O LOCK | 1 |
| * | 15A | 981-533Z | SWITCH (2P PILLAR TYPE) W/O LOCK | 1 FOR AUS |
| 16 | 985-229 | HANDLE COVER | 1 | |
| 17 | 949-453 | SPRING WASHER M4 (10 PCS.) | 4 | |
| 18 | 949-218 | MACHINE SCREW M4X14 (10 PCS.) | 4 | |
| 19 | 942-204 | WASHER | 2 | |
| 20 | 956-525 | PIN | 1 | |
| 21 | 949-861 | ROLL PIN D2X12 (10 PCS.) | 2 | |
| 22 | 956-528 | CAP COVER | 2 | |
| 23 | 944-980 | CAP RUBBER | 2 | |
| 24 | 940-540 | BRUSH CAP | 2 | |
| 25 | 937-943Z | CARBON BRUSH (AUTO STOP TYPE) (1 PAIR) | 2 | |
| 26 | 944-903 | BRUSH HOLDER | 2 | |
| 27 | 956-683 | STOP PLATE | 2 | |
| 28 | 956-501 | DAMPER | 1 | |
| 29A | 985-235 | DAMPER PLATE | 1 | |
| 30 | 956-499 | MOUTH | 1 | |
| 31 | 956-497 | MOUTH WASHER | 2 | |
| 32 | 956-498 | URETHANE RING | 1 | |
| 33 | 956-541 | CYLINDER CASE | 1 | |
| 34 | 949-445 | WASHER M10 (10 PCS.) | 4 | |
| 35 | 956-511 | PACKING (H) | 1 | |
| 36 | 956-542 | HOUSING COVER | 1 | |
| 37 | 949-454 | SPRING WASHER M5 (10 PCS.) | 9 | |
| 38 | 949-821 | HEX. SOCKET HD. BOLT M5X16 (10 PCS.) | 9 | |
| 39 | 955-011 | OIL GAUGE | 1 | |
| 40 | 955-006C | CAUTION PLATE (ENGLISH) | 1 | |
| 41 | 956-485 | NEEDLE BEARING (NSK RLM2220) | 1 | |
| 42 | 956-486 | CRANK WASHER | 1 | |
| 43 | 949-837 | BOLT M10X16 (10 PCS.) | 1 | |
| 44 | 956-509 | OIL FELT | 1 | |
| 45 | | NAME PLATE | 1 | |
| 46 | 949-510 | RIVET D2.5X4.8 (10 PCS.) | 2 | |
| 47 | 956-507 | PACKING (F) | 1 | |
| 48 | 956-508 | FELT HOLDER | 1 | |

*: ALTERNATIVE PARTS

6 - 94

PARTS

H 85

| ITEM NO. | CODE NO. | DESCRIPTION | NO. USED | REMARKS |
|----------|----------|--------------------------------------|----------|-----------------------------------|
| 49 | 958-510 | FELT HOLDER (B) | 1 | |
| 50 | 930-108 | CORD CLIP | 1 | |
| 51 | 938-477 | HEX. SOCKET SET SCREW M5X8 | 2 | |
| 52 | 958-528 | COVER | 1 | |
| 53 | 985-227 | O - RING (S - 85) | 1 | |
| 54 | 958-493 | STRIKER | 1 | |
| 55 | 958-492 | L - RING | 1 | |
| 56 | 958-491 | PISTON PIN | 1 | |
| 57 | | VINYL TUBE (A) (I.D.7XT0.5X50) | 1 | |
| 58 | 958-490 | PISTON | 1 | |
| 59 | 958-484 | CONNECTING ROD ASS'Y | 1 | INCLUD.41 |
| * 60 | 500-404Z | CORD | 1 | (CORD ARMOR D12.3) FOR USA,CAN |
| * 60 | 500-217Z | CORD | 1 | (CORD ARMOR D12.3) FOR NZL |
| * 60 | 971-136 | CORD | 1 | (CORD ARMOR D12.3) FOR AUS |
| * 60 | 500-398Z | CORD | 1 | (CORD ARMOR D12.3) FOR INA |
| * 60 | 500-393Z | CORD | 1 | (CORD ARMOR D12.3) FOR SYR |
| * 60 | 500-428Z | CORD | 1 | (CORD ARMOR D12.3) FOR SIN,KUW |
| * 60 | 500-202Z | CORD | 1 | (CORD ARMOR D12.3) FOR TPE,THA |
| * 60 | 500-443Z | CORD | 1 | (CORD ARMOR D12.3) FOR SAF |
| * 61 | 963-243 | SUPPORT | 1 | FOR USA |
| * 62 | | TUBE (B) | 1 | |
| * 62 | | TUBE (D) | 1 | FOR USA,CAN |
| * 63 | 938-307Z | PILLAR TERMINAL | 1 | FOR USA |
| 64 | 930-217 | CORD ARMOR D12.3 | 1 | |
| * 65 | 959-141 | CONNECTOR 50092 (10 PCS.) | 1 | FOR NZL,CAN |
| 66 | 958-540 | GEAR COVER | 1 | |
| 67 | 620-4VV | BALL BEARING 6204VVCMP2S | 1 | |
| 68 | 958-482 | DISTANCE WASHER | 1 | |
| 69 | 958-481 | FINAL GEAR | 1 | |
| 70 | 958-480 | DISTANCE RING (B) | 1 | |
| 71 | 958-539 | INNER COVER | 1 | |
| * 72 | | VINYL TUBE (B) (I.D.7XT0.5X80) | 2 | |
| * 72 | | VINYL TUBE (C) (I.D.7XT0.5X135) | 1 | FOR AUS |
| * 73 | 949-453 | SPRING WASHER M4 (10 PCS.) | 1 | FOR USA |
| 74 | 949-292 | MACHINE SCREW (BRASS) M4X6 (10 PCS.) | 1 | |
| 75 | 630-5DD | BALL BEARING 6305DDUCMP2S | 1 | |
| 76 | 958-478 | FELT PACKING | 1 | |
| 77 | 958-478 | BEARING BOSS | 1 | |
| 78 | 949-455 | SPRING WASHER M6 (10 PCS.) | 4 | |
| 79 | 949-660 | HEX. SOCKET HD. BOLT M8X20 (10 PCS.) | 4 | |
| 80 | 948-919 | FEATHER KEY 4X4X15 | 2 | |
| 81 | 958-483 | CRANK SHAFT | 1 | |
| 82 | 620-1VV | BALL BEARING 6201VVCMP2S | 2 | |
| 83 | 958-477 | COUNTER GEAR | 1 | |
| 84 | 949-480 | PIN D8X14 (10 PCS.) | 2 | |
| * 85 | 958-536E | ARMATURE 220V - 230V | 1 | |
| * 85 | 958-536F | ARMATURE 240V | 1 | |
| * 85A | 958-536U | ARMATURE ASS'Y 110V - 115V | 1 | INCLUD.93,102,103 |
| 86 | 958-538 | HOUSING ASS'Y | 1 | INCLUD.28,51 |
| * 87 | 985-234C | STATOR ASS'Y 110V - 115V | 1 | INCLUD.99 - 101 |

*: ALTERNATIVE PARTS

