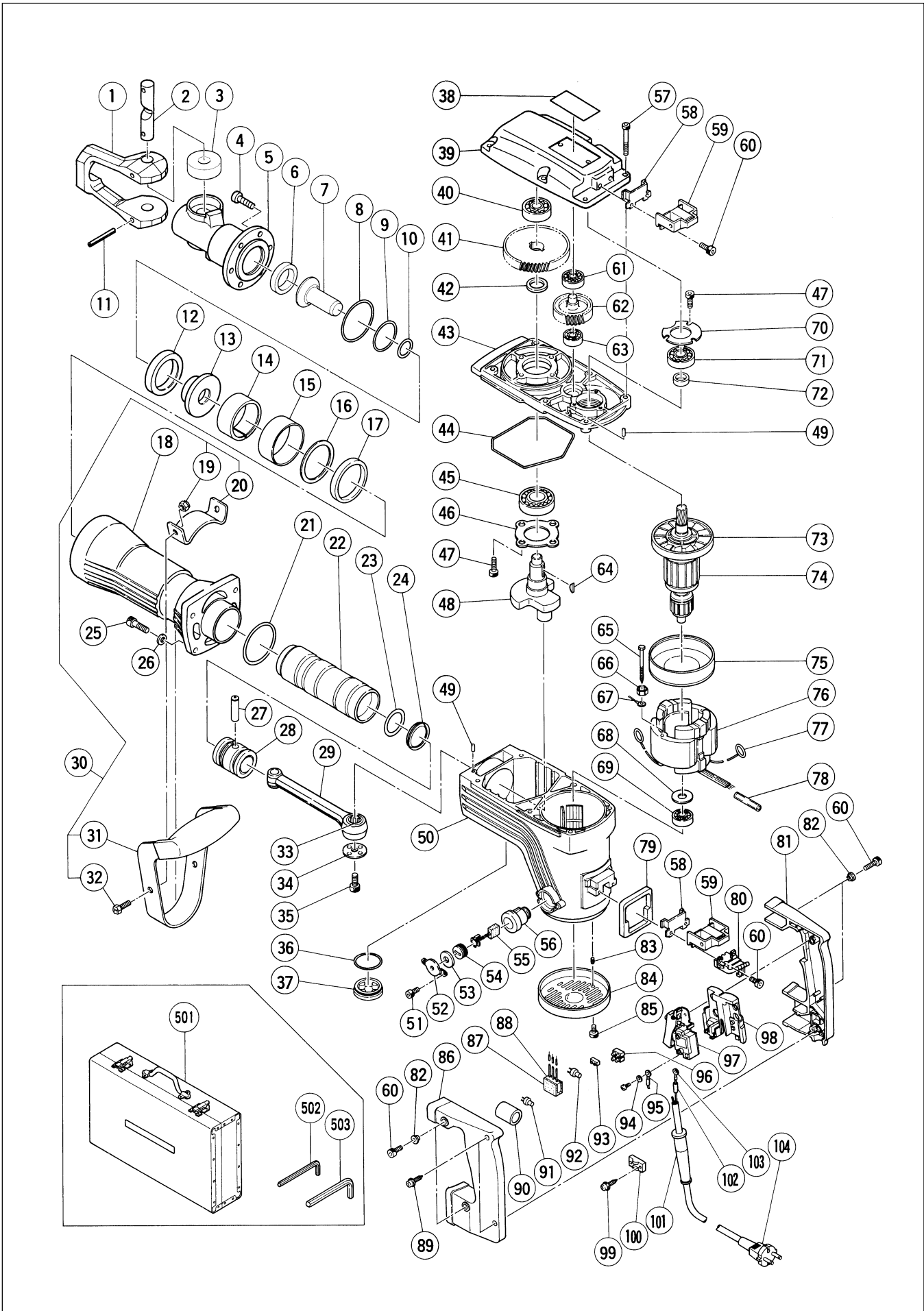


Assembly Diagram for H 65SD



PARTS

H 65SD

| ITEM NO. | CODE NO. | DESCRIPTION | NO. USED | REMARKS |
|----------|----------|--------------------------------------|----------|--------------------|
| 1 | 318-221 | RETAINER | 1 | |
| 2 | 318-222 | LEVER PIN | 1 | |
| 3 | 305-621 | RETAINER DAMPER | 2 | |
| 4 | 306-437 | NYLOCK HEX. SOCKET HD. BOLT M8X30 | 6 | |
| 5 | 318-223 | FRONT COVER | 1 | |
| 6 | 996-369 | DAMPER (B) | 1 | |
| 7 | 996-367 | SECOND HAMMER | 1 | |
| 8 | 998-428 | O-RING (C) | 1 | |
| 9 | 998-427 | O-RING (B) | 1 | |
| 10 | 998-419 | O-RING (E) | 1 | |
| 11 | 994-416 | ROLL PIN D6X55 | 2 | |
| 12 | 998-433 | DAMPER (A) | 1 | |
| 13 | 998-418 | SHANK SLEEVE | 1 | |
| 14 | 956-963 | MOUTH | 1 | |
| 15 | 956-962 | MOUTH COVER | 1 | |
| 16 | 956-961 | MOUTH WASHER | 1 | |
| 17 | 956-960 | URETHANE RING | 1 | |
| 18 | 306-164 | CYLINDER CASE (BLACK) | 1 | |
| 19 | 944-950 | U-NUT (B) M8 | 2 | |
| 20 | 944-948 | HANDLE STAY | 1 | |
| 21 | 956-996 | O-RING (1AS-60) | 1 | |
| 22 | 956-958 | STRIKER | 1 | |
| 23 | 998-414 | O-RING (A) | 1 | |
| 24 | 998-415 | OIL SEAL (A) | 1 | |
| 25 | 306-163 | NYLOCK HEX. SOCKET HD. BOLT M8X35 | 4 | |
| 26 | 949-433 | BOLT WASHER M8 (10 PCS.) | 4 | |
| 27 | 944-928 | PISTON PIN | 1 | |
| 28 | 998-413 | PISTON | 1 | |
| 29 | 998-434 | CONNECTING ROD ASS'Y | 1 | INCLUD.33 |
| 30 | 306-165 | SIDE HANDLE ASS'Y | 1 | INCLUD.19,20,31,32 |
| 31 | 306-166 | GRIP | 1 | |
| 32 | 949-655 | HEX. SOCKET HD. BOLT M8X16 (10 PCS.) | 2 | |
| 33 | 944-921 | NEEDLE BEARING (NTN 8E-NK 18/20 RDO) | 1 | |
| 34 | 956-955 | CRANK WASHER | 1 | |
| 35 | 996-364 | SEAL LOCK HEX. SOCKET HD. BOLT M8X16 | 1 | |
| 36 | 980-717 | O-RING (S-38) | 1 | |
| 37 | 990-945 | OIL CAP ASS'Y | 1 | INCLUD.36 |
| 38 | | NAME PLATE | 1 | |
| 39 | 998-429 | GEAR COVER | 1 | |
| 40 | 630-2VV | BALL BEARING 6302VVCMP2L | 1 | |
| 41 | 944-916 | FINAL GEAR | 1 | |
| 42 | 944-915 | DISTANCE RING (B) | 1 | |
| 43 | 998-412 | INNER COVER | 1 | |
| 44 | 957-143 | SEAL RING (A) | 1 | |
| 45 | 620-5DD | BALL BEARING 6205DDCMP2L | 1 | |
| 46 | 956-949 | BEARING COVER | 1 | |
| 47 | 990-079 | SEAL LOCK HEX. SOCKET HD. BOLT M5X16 | 7 | |
| 48 | 998-430 | CRANK SHAFT | 1 | |
| 49 | 944-918 | PIN D5X15.8 | 2 | |
| 50 | 306-097 | HOUSING ASS'Y | 1 | INCLUD.56,83 |
| 51 | 983-162 | SEAL LOCK HEX. SOCKET HD. BOLT M4X12 | 4 | |

* : ALTERNATIVE PARTS

8 - 99

PARTS

H 65SD

| ITEM NO. | CODE NO. | DESCRIPTION | NO. USED | REMARKS | |
|----------|----------|--|--|---------|---|
| 52 | 956-972 | CAP COVER | 2 | | |
| 53 | 944-960 | CAP RUBBER | 2 | | |
| 54 | 940-540 | BRUSH CAP | 2 | | |
| 55 | 999-086 | CARBON BRUSH (AUTO STOP TYPE) (1 PAIR) | 2 | | |
| 56 | 956-984 | BRUSH HOLDER | 2 | | |
| 57 | 986-940 | SEAL LOCK HEX. SOCKET HD. BOLT M6X45 | 6 | | |
| 58 | 980-750 | GUIDE PLATE | 2 | | |
| 59 | 980-727 | HANDLE RUBBER | 2 | | |
| 60 | 990-079 | SEAL LOCK HEX. SOCKET HD. BOLT M5X16 | 8 | | |
| 61 | 620-1VV | BALL BEARING 6201VVCMP2L | 1 | | |
| 62 | 956-948 | COUNTER GEAR | 1 | | |
| 63 | 600-1VV | BALL BEARING 6001VVCMP2L | 1 | | |
| 64 | 956-850 | WOODRUFF KEY 4X16 | 2 | | |
| 65 | 960-251 | HEX. HD. TAPPING SCREW D5X65 | 2 | | |
| 66 | 956-764 | SPECIAL WASHER | 2 | | |
| * | 67 | 994-190 | INTERNAL WIRE | 1 | FOR GBR,FIN,NOR,SUI |
| | 68 | 944-954 | BEARING WASHER | 1 | |
| | 69 | 620-1DD | BALL BEARING 6201DDCMP2L | 1 | |
| | 70 | 944-911 | BEARING COVER (A) | 1 | |
| | 71 | 620-3DD | BALL BEARING 6203DDCMP2L | 1 | |
| | 72 | 944-907 | DISTANCE RING (A) | 1 | |
| | 73 | 996-370 | FAN | 1 | |
| * | 74 | 360-286U | ARMATURE ASS'Y 115V | 1 | INCLUD.68,69,71,73 |
| * | 74 | 360-286E | ARMATURE ASS'Y 220V-230V | 1 | INCLUD.73 |
| | 75 | 306-098 | FAN GUIDE | 1 | |
| * | 76 | 340-259C | STATOR ASS'Y 110V-115V | 1 | INCLUD.77,78 |
| * | 76 | 340-259E | STATOR ASS'Y 220V-230V | 1 | INCLUD.77,78 |
| * | 76 | 340-259G | STATOR ASS'Y 115V | 1 | INCLUD.77,78 FOR USA |
| | 77 | 945-932 | BRUSH TERMINAL | 2 | |
| | 78 | | TUBE (I.D.7XT0.25X20) | 1 | |
| | 79 | 980-751 | HANDLE PACKING | 1 | |
| | 80 | 985-469 | INTERNAL WIRE HOLDER | 1 | |
| | 81 | 306-168 | HANDLE (A) | 1 | |
| | 82 | 991-711 | DISTANCE PIECE (B) | 4 | |
| | 83 | 938-477 | HEX. SOCKET SET SCREW M5X8 | 2 | |
| | 84 | 306-099 | TAIL COVER | 1 | |
| | 85 | 991-690 | SEAL LOCK HEX. SOCKET HD. BOLT M5X12 | 2 | |
| | 86 | 306-169 | HANDLE (B) | 1 | |
| * | 87 | 930-153 | SUPPORT (B) | 1 | FOR NOISE SUPPRESSOR |
| * | 88 | 994-273 | NOISE SUPPRESSOR | 1 | FOR GBR,FIN,NOR,SUI |
| * | 88 | 930-039 | NOISE SUPPRESSOR | 1 | FOR ITA,FRG,FRA,HOL,ESP |
| | 89 | 307-028 | TAPPING SCREW (W/FLANGE) D4X25 (BLACK) | 2 | |
| | 90 | 306-167 | TUBE (I.D.7XT1.1X15) | 1 | |
| * | 91 | 959-140 | CONNECTOR 50091 (10 PCS.) | 1 | HOR GBR,NOR,SUI |
| * | 92 | 959-141 | CONNECTOR 50092 (10 PCS.) | 1 | FOR GBR,ITA,FRG,FRA,HOL,NOR,ESP,SUI |
| | 93 | 938-307 | PILLAR TERMINAL | 1 | |
| * | 94 | 949-423 | WASHER M4 (10 PCS.) | 1 | FOR GBR,ITA,FRG,FRA,HOL,FIN,NOR,ESP,SUI |
| * | 95 | 981-974 | INTERNAL WIRE | 1 | |
| * | 95 | 306-681 | INTERNAL WIRE | 1 | FOR GBR |
| * | 96 | 958-308Z | PILLAR TERMINAL (A) | 1 | FOR FIN |
| | 97 | 306-143 | SWITCH (B) (1P SCREW TYPE) W/LOCK | 1 | |

PARTS

H 65SD

| ITEM NO. | CODE NO. | DESCRIPTION | NO. USED | REMARKS |
|----------|----------|--------------------------------|----------|-----------------------------------|
| 98 | 990-082 | SUPPORT (E) | 1 | |
| 99 | 984-750 | TAPPING SCREW (W/FLANGE) D4X16 | 2 | |
| * 100 | 960-266 | CORD CLIP | 1 | |
| * 100 | 981-987Z | CORD CLIP | 1 | FOR SUI |
| * 101 | 958-049 | CORD ARMOR D8.2 | 1 | |
| * 101 | 940-778 | CORD ARMOR D10.7 | 1 | |
| 102 | 996-438 | VINYL TUBE (A) (I.D.7XT0.5X50) | 2 | |
| * 103 | 992-810 | TERMINAL | 1 | |
| * 103 | 930-804 | TERMINAL M4.0 (10 PCS.) | 1 | FOR GBR (110V),USA |
| * 104 | 500-390Z | CORD | 1 | (CORD ARMOR D10.2) |
| * 104 | 500-246Z | CORD | 1 | (CORD ARMOR D10.2) FOR GBR (110V) |
| * 104 | 500-450Z | CORD | 1 | (CORD ARMOR D10.2) FOR GBR (230V) |
| * 104 | 500-391Z | CORD | 1 | (CORD ARMOR D10.2) FOR SUI |
| * 104 | 500-434Z | CORD | 1 | (CORD ARMOR D8.2) FOR USA |
| | | | | |
| | | | | |
| | | | | |
| | | | | |
| | | | | |

STANDARD ACCESSORIES

| ITEM NO. | CODE NO. | DESCRIPTION | NO. USED | REMARKS |
|----------|----------|---------------------|----------|---------|
| 501 | 314-179 | CASE (STEEL) | 1 | |
| 502 | 943-277 | HEX. BAR WRENCH 3MM | 1 | |
| 503 | 872-422 | HEX. BAR WRENCH 6MM | 1 | |
| | | | | |
| | | | | |
| | | | | |
| | | | | |
| | | | | |
| | | | | |
| | | | | |

OPTIONAL ACCESSORIES

| ITEM NO. | CODE NO. | DESCRIPTION | NO. USED | REMARKS |
|----------|----------|--|----------|---------|
| 601 | 996-373 | COLD CHISEL 410MM (HEX. SHANK TYPE) | 1 | |
| 602 | 985-231 | COLD CHISEL 520MM (HEX. SHANK TYPE) | 1 | |
| 603 | 996-374 | CUTTER W75X410MM (HEX. SHANK TYPE) | 1 | |
| 604 | 985-232 | CUTTER W75X520MM (HEX. SHANK TYPE) | 1 | |
| 605 | 985-233 | SCOOP 546L (HEX. SHANK TYPE) | 1 | |
| 606 | 996-372 | BULL POINT 410MM (HEX. SHANK TYPE) | 1 | |
| 607 | 980-927 | GREASE FOR HAMMER.HAMMER DRILL (500G) | 1 | |
| 608 | 308-471 | GREASE FOR HAMMER.HAMMER DRILL (70G) | 1 | |
| 609 | 981-840 | GREASE (A) FOR HAMMER.HAMMER DRILL (30G) | 1 | |
| | | | | |
| | | | | |
| | | | | |
| | | | | |

* : ALTERNATIVE PARTS

Printed in Japan 8 - 99
(990825 N)