

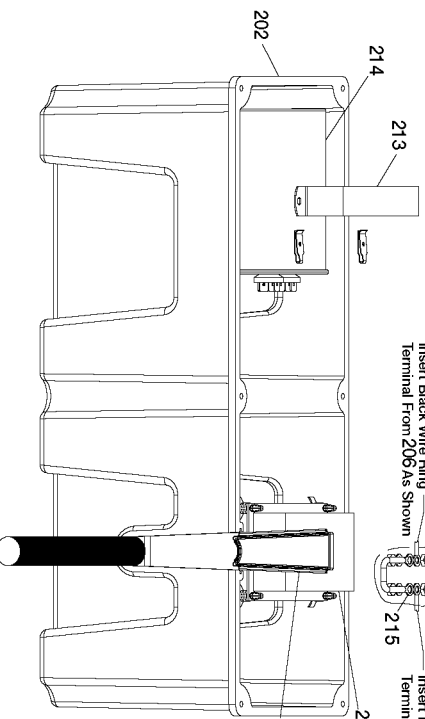
Attach Speed Clips Prior To Assembly 205 Of Devices To Face Plate

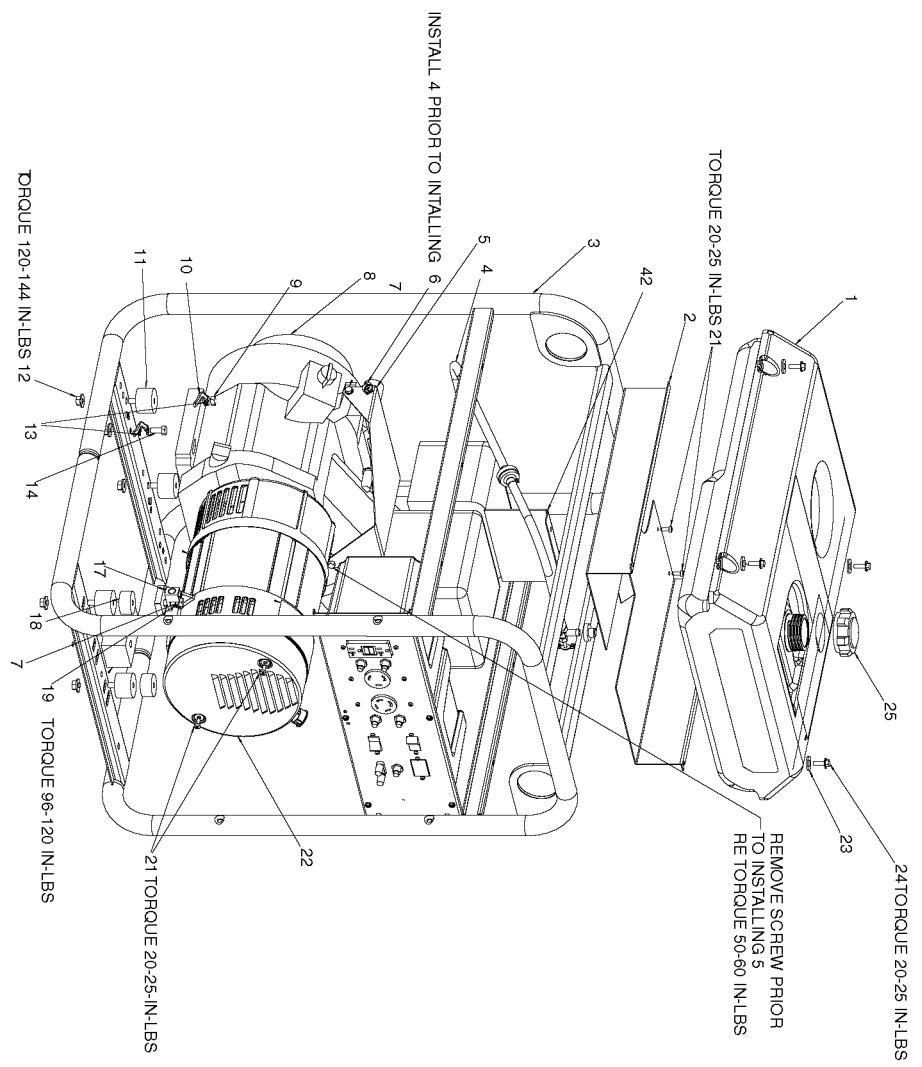
These Clips Do Not Strap On This Device They Are On The Back Side Of Device

211 Does Not Include 215  
Wire Harness To Be Routed Through Panel Cover As Shown Lower  
206  
219  
220  
221  
222  
223

216  
217  
218  
221  
220  
219  
223  
215  
213  
214  
202

209 Snap Into Holes In 202  
Torque 5-10 in-lbs  
Insert Red Wire Ring Terminal From 206 As Shown  
207 Insert Clamp Into Grooves As Shown Before Attaching Panel To Panel Cover



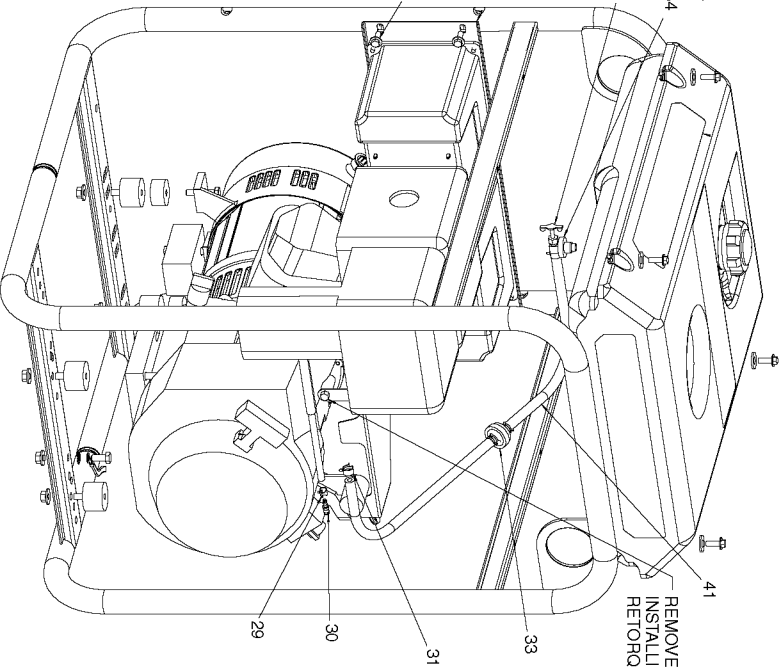


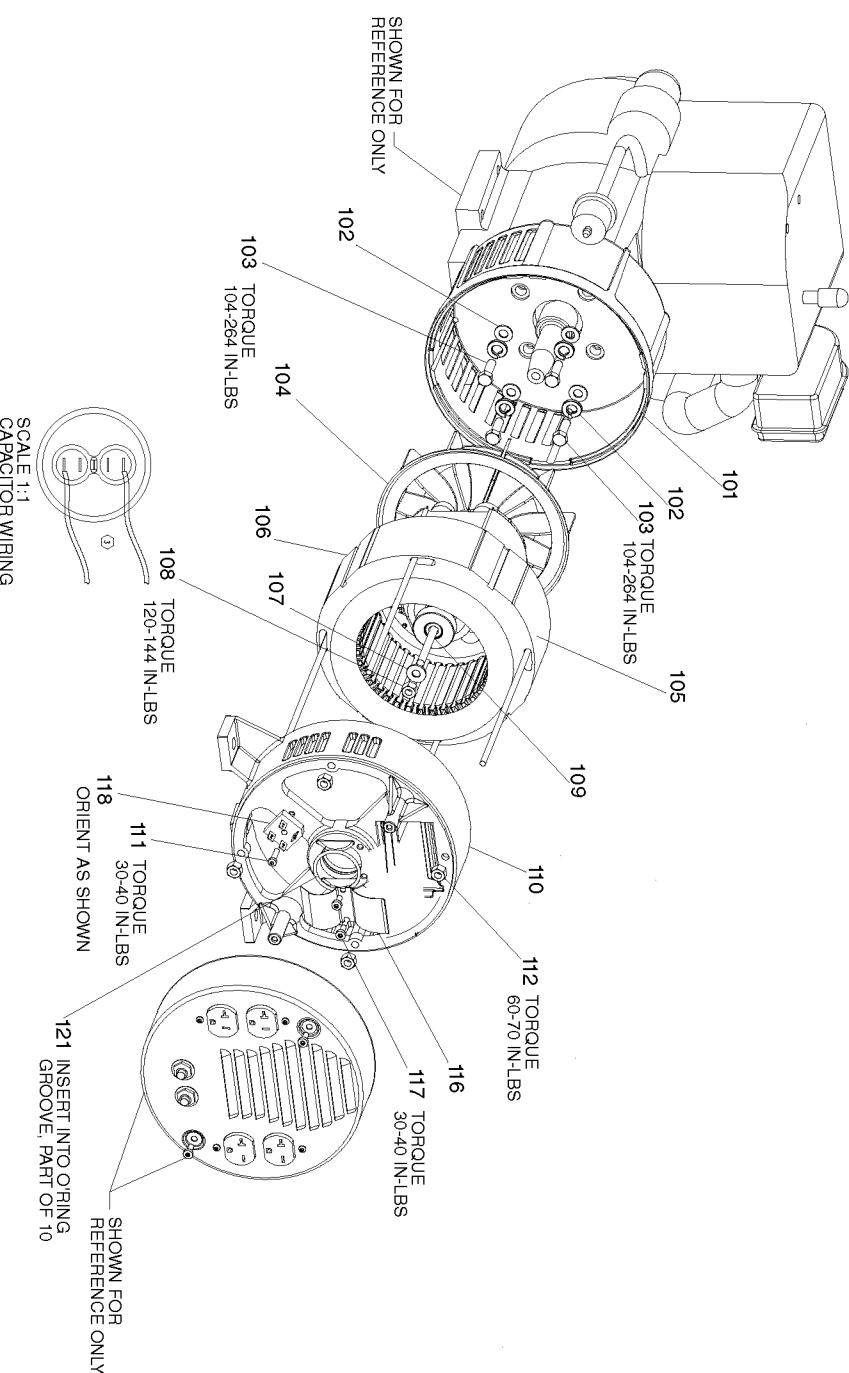
LUBE WITH LIGHT OIL  
OR SOAP PRIOR  
TO INSTALLATIONS 34

LUBE WITH LIGHT OIL 35  
OR SOAP PRIOR  
TO INSTALLATIONS

TORQUE  
60-70 IN-LBS 24

REMOVE SCREW PRIOR TO  
INSTALLING 5  
RETORQUE 50-60 IN-LBS





## Parts List for H650CS Type 1

Item Number	Part Number	Description	Qty Required
1	Z-GS-0795	TANK FUEL 7G SS	1
2	D24273	SHIELD HEAT BSV GHC	1
3	000000-00	No Longer Available	1
4	Z-A14582	HOSE FUEL	1
5	000000-00	No Longer Available	1
6	GS-0763	CLIP SNAP-IN FUEL LI	1
7	330016-13	WASHER	1
8	000000-00	No Longer Available	1
9	N002562	SCREW	1
10	GS-0118	STRAP GROUND	1
11	GS-0033	ISOLATOR VIBRATION 1	1
12	SSF-8150	NUT .312-18 UNC HEX	1
13	N017772	LOCK WASHER	1
14	SS-12-CD	SCREW .313-18X.750 H	1
17	GS-0117	LUG GROUND	1
18	GS-0492	SPACER 5/16	1
19	95829230	SCREW .313-18X1.50 H	1
21	SSF-553-1	SCREW #10-24X.563 TH	1
22	GS-0077	COVER END BLANK	1
23	SSN-632	WASHER .875 OD .375	1
24	91895680	SCREW .250-20X.750 H	1
25	GS-0863	CAP FUEL W/GAUGE	1
29	GS-0560	CLAMP HOSE .301 ID	1
30	GS-0535	UNION REDUCER 1/4 X	1
31	GS-0227	CLAMP FUEL .50	1
33	GS-0459	FILTER FUEL	1
34	N103455	GROMMET	1

## Parts List for H650CS Type 1

Item Number	Part Number	Description	Qty Required
35	GS-0437	DRAIN COCK	1
41	Z-A14582	HOSE FUEL	1
42	000000-00	No Longer Available	1
47	000000-00	No Longer Available	1
101	000000-00	No Longer Available	1
102	SSN-619	WASHER .375 SPRING L	1
103	SSF-577	SCREW .375-16X1.00 H	1
104	GS-0872	RESISTOR 10K OHM	2
104	000000-00	No Longer Available	1
104	D29822	KIT SERVICE FOCUS MO	1
104	GS-0871	DIODE 10AMP 1000V	2
105	GS-0273	BOLT STATOR THRU 207	1
106	000000-00	No Longer Available	1
106	D29822	KIT SERVICE FOCUS MO	1
107	330016-13	WASHER	1
108	SSF-576	NUT .313-24 HEX W/KE	1
109	GS-0315-1	BOLT ROTOR THRU 207L	1
110	Z-GS-0861	KIT ORING BEARING SU	1
111	SSF-3158-1	SCREW #10-24X.750 TH	1
112	SSF-575	NUT .250-20 HEX W/KE	1
116	GS-0595	BRACKET CAPACITOR 2.	1
117	SSF-553-1	SCREW #10-24X.563 TH	1
118	GS-0767	RECTIFIER	1
121	GS-0862	O-RING ROTOR BEARING	1
201	000000-00	No Longer Available	1
202	000000-00	No Longer Available	1
203	SSF-3156	SCREW #10-9X.500 THD	1

## Parts List for H650CS Type 1

Item Number	Part Number	Description	Qty Required
204	SSF-583	SCREW #6-32X.500 PAN	1
205	SSF-584	NUT #6-32 SPEED SELF	1
206	000000-00	No Longer Available	1
207	D26113	CLAMP MOLDED STRESS	1
209	N080007	BOARD ASSY	1
210	SSF-595	NUT .438-28 UNEF HEX	1
211	Z-GS-0728	ASSY BINDING POST SS	1
212	GS-0735	METER HOUR	1
213	000000-00	No Longer Available	1
214	GS-0732	CAPACITOR 55uf 3% 44	1
215	GS-0835	ASSY RESISTOR DC SHU	1
216	GS-0644	RECEPTACLE GFCI 120V	1
217	GS-0021	RECEPTACLE 125V 30A	1
218	GS-0455	RECEPTACLE 4 PRONG 3	1
219	GS-0045	SWITCH FULL POWER	1
220	GS-0679	SWITCH IDLE CONTROL	1
221	Z-D20573	BREAKER CIRCUIT 125/	1
222	D21508	BREAKER CIRCUIT	1
223	GS-0681	BREAKER CIRCUIT	1