

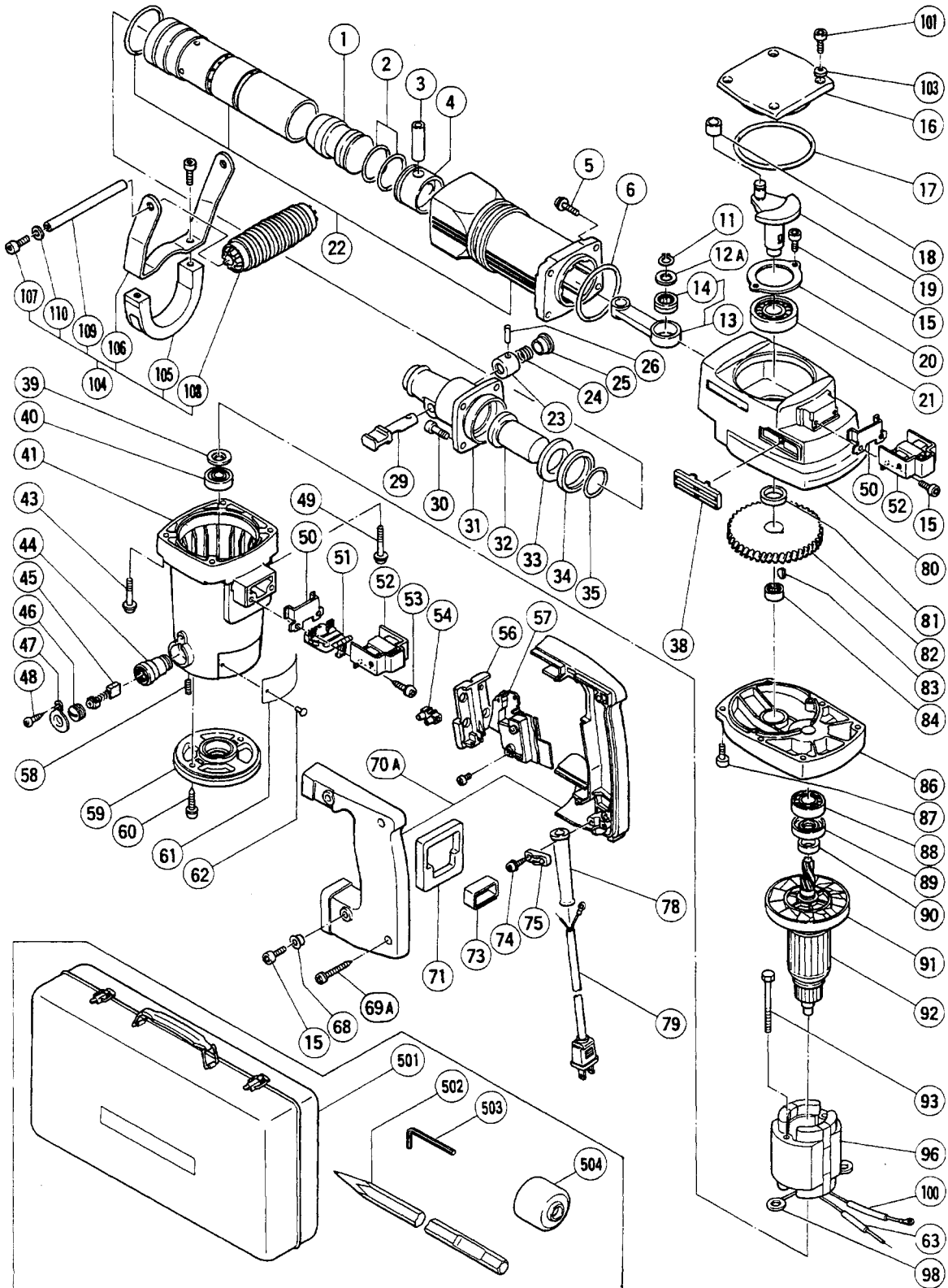
HITACHI

LIST NO. E417

ELECTRIC TOOL PARTS LIST

■ **HAMMER**
Model H 55SC

1994 • 6 • 3
(E2)



PARTS

H 55SC

ITEM NO.	CODE NO.	DESCRIPTION	NO. USED	REMARKS
1	985-455	STRIKER	1	
2	985-454	O - RING (A) (FPM810)	2	
3	985-451	PISTON PIN	1	
4	985-452	PISTON	1	
5	990-083	HEX. SOCKET HD. BOLT (W/FLANGE) M8X35	4	
6	956-996	O - RING (1AS - 60)	1	
11	939-542	RETAINING RING FOR D12 SHAFT (10 PCS.)	1	
12A	985-453	CRANK WASHER	1	
13	985-450	CONNECTING ROD ASS'Y	1	INCLUD.14
14	985-470	NEEDLE BEARING (B) (RNA4901V1)	1	
15	984-509	SEAL LOCK HEX. SOCKET HD. BOLT M5X14	8	
16	986-957	CRANK COVER	1	
17	877-316	O - RING (S - 90)	1	
18	985-467	INNER RACE	1	
19	985-444	CRANK SHAFT	1	
20	985-443	BEARING COVER	1	
21	620-4DD	BALL BEARING 6204DDUCMPS2S	1	
22	986-941	CYLINDER CASE	1	
23	993-241	SPRING CASE	1	
24	302-096	STOPPER SPRING	1	
25	993-243	STOPPER SLEEVE	1	
26	943-384	NEEDLE ROLLER D4X20	1	
29	302-095	STOP LEVER	1	
30	985-479	SEAL LOCK HEX. SOCKET HD. BOLT M8X25	4	
31	302-120	FRONT COVER	1	
32	302-094	SECOND HAMMER	1	
33	986-943	DAMPER WASHER	1	
34	986-942	DAMPER	1	
35	986-946	O - RING (C) (FPM810)	1	
38	991-713	WIND GUIDE (B)	2	
39	985-436	DUST WASHER	1	
40	620-0VV	BALL BEARING 6200VVCMP2S	1	
41	985-435	HOUSING ASS'Y	1	INCLUD.44,58
43	994-085	HEX. SOCKET HD. BOLT (W/FLANGE) M6X60	2	
44	983-382	BRUSH HOLDER	2	
45	981-946Z	CARBON BRUSH (AUTO STOP TYPE) (1 PAIR)	2	
46	981-781	BRUSH CAP	2	
47	981-959	CAP COVER	2	
48	302-090	TAPPING SCREW D4X10 (BLACK)	2	
49	994-084	HEX. SOCKET HD. BOLT (W/FLANGE) M6X40	2	
50	980-750	GUIDE PLATE	2	
51	985-489	INTERNAL WIRE HOLDER	1	
52	980-727	HANDLE RUBBER	2	
53	985-605	TAPPING SCREW (W/WASHER) D5X25	2	
54	938-307Z	PILLAR TERMINAL	1	
56	990-082	SUPPORT (E)	1	
57	992-891	SWITCH (A) (1P SCREW TYPE) W/O LOCK	1	
58	938-477	HEX. SOCKET SET SCREW M5X8	2	
59	985-437	TAIL COVER	1	
60	302-089	TAPPING SCREW (W/FLANGE) D5X20 (BLACK)	2	
61		NAME PLATE	1	

*: ALTERNATIVE PARTS

PARTS

H 55SC

ITEM NO.	CODE NO.	DESCRIPTION	NO. USED	REMARKS
62	949-510	RIVET D2.5X4.8 (10 PCS.)	2	
63		VINYL TUBE(I.D.7X0.5TX50)	1	
68	991-711	DISTANCE PIECE (B)	4	
69A	305-490	TAPPING SCREW (W/FLANGE) D4X30 (BLACK)	2	
70A	993-254	HANDLE (A).(B) SET	1	
71	980-751	HANDLE PACKING	1	
73	985-474	WIRE SUPPORT	1	
74	982-095	TAPPING SCREW (W/WASHER) D4X20	2	
75	980-266	CORD CLIP	1	
78	940-778	CORD ARMOR D10.7	1	
79		CORD	1	
80	986-965	CRANK CASE ASS'Y	1	INCLUD.38
81	985-445	DISTANCE RING (B)	1	
82	985-446	FIRST GEAR	1	
83	932-815	WOODRUFF KEY 3X13	1	
84	985-442	NEEDLE BEARING (A) (BK1512)	1	
86	985-440	GEAR COVER	1	
87	992-803	SEAL LOCK HEX. SOCKET HD. BOLT M6X20	4	
88	620-2DD	BALL BEARING 6202DDUCMPS2S	1	
89	985-439	OIL SEAL (FPM 807)	1	
90	985-438	SLEEVE	1	
91	985-482	FAN	1	
92	985-472U	ARMATURE ASS'Y 115V	1	INCLUD.39,40,88,90,91
93	961-400	HEX. HD. TAPPING SCREW D5X70	2	
96	985-471C	STATOR ASS'Y 110V - 115V	1	INCLUD.98
98	937-623	BRUSH TERMINAL	2	
100		VINYL TUBE(A)(I.D.7X0.5TX80)	1	
101	990-079	SEAL LOCK HEX. SOCKET HD. BOLT M5X18	4	
103	949-424	WASHER M5 (10 PCS.)	4	
104	986-959	HOLDER ASS'Y	1	INCLUD.105 - 110
105	986-960	HOLDER (A)	1	
106	986-961	HOLDER (B)	1	
107	949-656	HEX. SOCKET HD. BOLT M8X20 (10 PCS.)	4	
108	944-951	GRIP	1	
109	986-962	SHAFT	1	
110	986-963	WASHER (C)	2	

*: ALTERNATIVE PARTS

STANDARD ACCESSORIES

H 55SC

ITEM NO.	CODE NO.	DESCRIPTION	NO. USED	REMARKS
501	302-214	CASE (STEEL)	1	
502	985-430	BULL POINT 12" (HEX. SHANK TYPE)	1	
503	872-422	HEX. BAR WRENCH 6MM	1	
504	985-488	DUST COVER	1	

OPTIONAL ACCESSORIES

ITEM NO.	CODE NO.	DESCRIPTION	NO. USED	REMARKS
601	985-431	BULL POINT 16" (HEX. SHANK TYPE)	1	
602	985-432	COLD CHISEL 1"X12" L (HEX. SHANK TYPE)	1	
603	985-433	COLD CHISEL 1"X16" L (HEX. SHANK TYPE)	1	
604	985-434	CUTTER 2"X17" L (HEX. SHANK TYPE)	1	
605	986-986	SERVICE KIT (H 55SA ETC.)	1	INCLUD.2,6,11,17,30,34,35,45,505
606	981-840	GREASE (A) FOR HAMMER.HAMMER DRILL (30G)	1	
607	308-471	GREASE FOR HAMMER.HAMMER DRILL (70G)	1	

*: ALTERNATIVE PARTS

Printed in Japan