

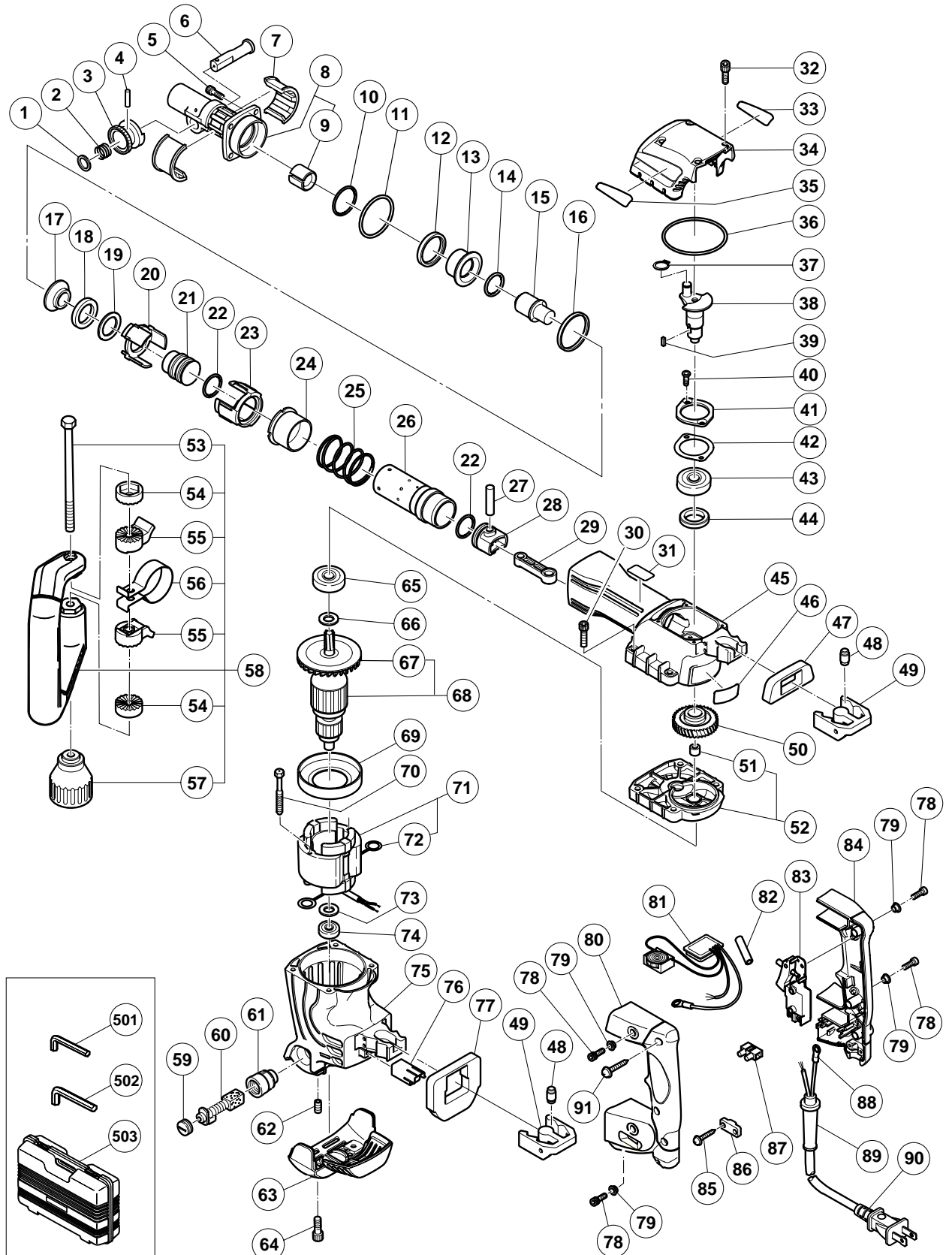
ELECTRIC TOOL PARTS LIST

HAMMER

2003 • 12 • 5

Model H 45FRV

(E1)



PARTS

H 45FRV

ITEM NO.	CODE NO.	DESCRIPTION	NO. USED	REMARKS
1	983-277	STOP WASHER	1	
2	981-937	STOPPER SPRING	1	
3	983-241	KNOB (A)	1	
4	943-364	NEEDLE ROLLER D4X20	1	
5	981-942	SEAL LOCK HEX. SOCKET HD. BOLT M6X25	4	
6	322-347	STOP LEVER	1	
7	322-344	BAND HOLDER	2	
8	322-345	FRONT COVER ASS'Y	1	INCLUD. 9
9	322-346	SLEEVE	1	
10	980-879	O-RING (S-34)	1	
11	990-067	O-RING (1AS-50)	1	
12	322-528	DAMPER (A)	1	
13	320-811	HAMMER HOLDER (A)	1	
14	319-572	O-RING (S-25)	1	
15	322-371	SECOND HAMMER	1	
16	320-817	DAMPER (C)	1	
17	320-814	HAMMER HOLDER (B)	1	
18	320-815	DAMPER (B)	1	
19	322-412	WASHER	1	
20	320-816	HAMMER HOLDER (C)	1	
21	320-822	STRIKER	1	
22	320-823	O-RING	2	
23	320-818	CYLINDER HOLDER	1	
24	322-372	SLEEVE (A)	1	
25	320-821	SPRING (C)	1	
26	322-336	CYLINDER	1	
27	320-826	PISTON PIN	1	
28	320-824	PISTON	1	
29	320-825	CONNECTING ROD	1	
30	986-940	SEAL LOCK HEX. SOCKET HD. BOLT M6X45	4	
31		WARNING LABEL	1	
32	983-162	SEAL LOCK HEX. SOCKET HD. BOLT M4X12	4	
33		HITACHI LABEL	1	
34	320-831	CRANK COVER	1	
35		HITACHI LABEL	1	
36	878-867	O-RING (JASO2060)	1	
37	939-540	RETAINING RING FOR D10 SHAFT (10 PCS.)	1	
38	320-829	CRANK SHAFT	1	
39	930-511	FEATHER KEY 4X4X10	1	
40	980-760	SEAL LOCK HEX.SOCKET FLAT HD. BOLT M5X12	2	
41	980-761	BEARING COVER (A)	1	
42	322-529	SEAL PACKING	1	
43	620-3DD	BALL BEARING 6203DDCMPS2L	1	
44	310-119	OIL SEAL	1	
45	320-828	CYLINDER CRANK CASE	1	
46		NAME PLATE	1	
47	320-837	HANDLE PACKING (A)	1	
48	310-124	HANDLE DAMPER	8	
49	310-123	TRANSATORY UNIT	2	
50	320-830	FIRST GEAR	1	
51	939-299	NEEDLE BEARING (M661)	1	

PARTS

H 45FRV

ITEM NO.	CODE NO.	DESCRIPTION	NO. USED	REMARKS
52	320-841	GEAR COVER ASS'Y	1	INCLUD. 51
53	317-107	BOLT M8	1	
54	317-106	HANDLE HOLDER (B)	2	
55	317-105	HANDLE HOLDER (A)	2	
56	320-635	BAND	1	
57	317-108	GRIP	1	
58	317-103	SIDE HANDLE ASS'Y	1	INCLUD. 53-57
59	935-829	BRUSH CAP	2	
60	999-073	CARBON BRUSH (AUTO STOP TYPE) (1 PAIR)	2	
61	971-001	BRUSH HOLDER	2	
62	938-477	HEX. SOCKET SET SCREW M5X8	2	
63	320-834	TAIL COVER	1	
64	321-527	SEAL LOCK HEX. SOCKET HD. BOLT M5X8	2	
65	620-1DD	BALL BEARING 6201DDCMPS2L	1	
66	302-429	DUST WASHER (B)	1	
67	321-640	FAN	1	
68	360-571U	ARMATURE ASS'Y 120V	1	INCLUD. 65-67, 73, 74
69	320-832	FAN GUIDE	1	
70	953-174	HEX. HD. TAPPING SCREW D5X55	2	
71	340-568G	STATOR ASS'Y 120V	1	INCLUD. 72
72	930-703	BRUSH TERMINAL	2	
73	982-631	WASHER (A)	1	
74	608-VVM	BALL BEARING 608VVC2PS2L	1	
75	320-833	HOUSING ASS'Y	1	INCLUD. 61, 62
76	320-836	SLEEVE (B)	1	
77	320-838	HANDLE PACKING (B)	1	
78	991-690	SEAL LOCK HEX. SOCKET HD. BOLT M5X12	4	
79	991-711	DISTANCE PIECE (B)	4	
80	322-350	HANDLE (B)	1	
81	322-348	CONTROLLER CIRCUIT	1	
82	322-530	VINYL TUBE	1	
83	306-143	SWITCH (B) (1P SCREW TYPE) W/LOCK	1	
84	322-349	HANDLE (A)	1	
85	984-750	TAPPING SCREW (W/FLANGE) D4X16	2	
86	960-266	CORD CLIP	1	
87	938-307	PILLAR TERMINAL	2	
88	930-804	TERMINAL M4.0 (10 PCS.)	1	
89	953-327	CORD ARMOR D8.8	1	
90	500-434Z	CORD	1	(CORD ARMOR D8.8)
91	307-028	TAPPING SCREW (W/FLANGE) D4X25 (BLACK)	3	

STANDARD ACCESSORIES

ITEM NO.	CODE NO.	DESCRIPTION	NO. USED	REMARKS	
501	944-458	HEX. BAR WRENCH 4MM	1		
502	944-459	HEX. BAR WRENCH 5MM	1		
503	320-842	CASE	1		

OPTIONAL ACCESSORIES

ITEM NO.	CODE NO.	DESCRIPTION	NO. USED	REMARKS	
601	985-383	BULL POINT 300MM (12")	1		
602	985-386	SCOOP 105X405L (4-1/2"X16")	1		
603	985-384	CUTTER W38X300L (1-1/2"X12")	1		
604	985-385	CUTTER W50X300L (2"X12")	1		
605	985-381	COLD CHISEL W25X300L (1"X12")	1		
606	985-382	COLD CHISEL W25X460L (1"X18")	1		
607	981-840	GREASE (A) FOR HAMMER.HAMMER DRILL (30G)	1		
608	308-471	GREASE FOR HAMMER.HAMMER DRILL (70G)	1		
609	993-245	DUST COVER	1		