

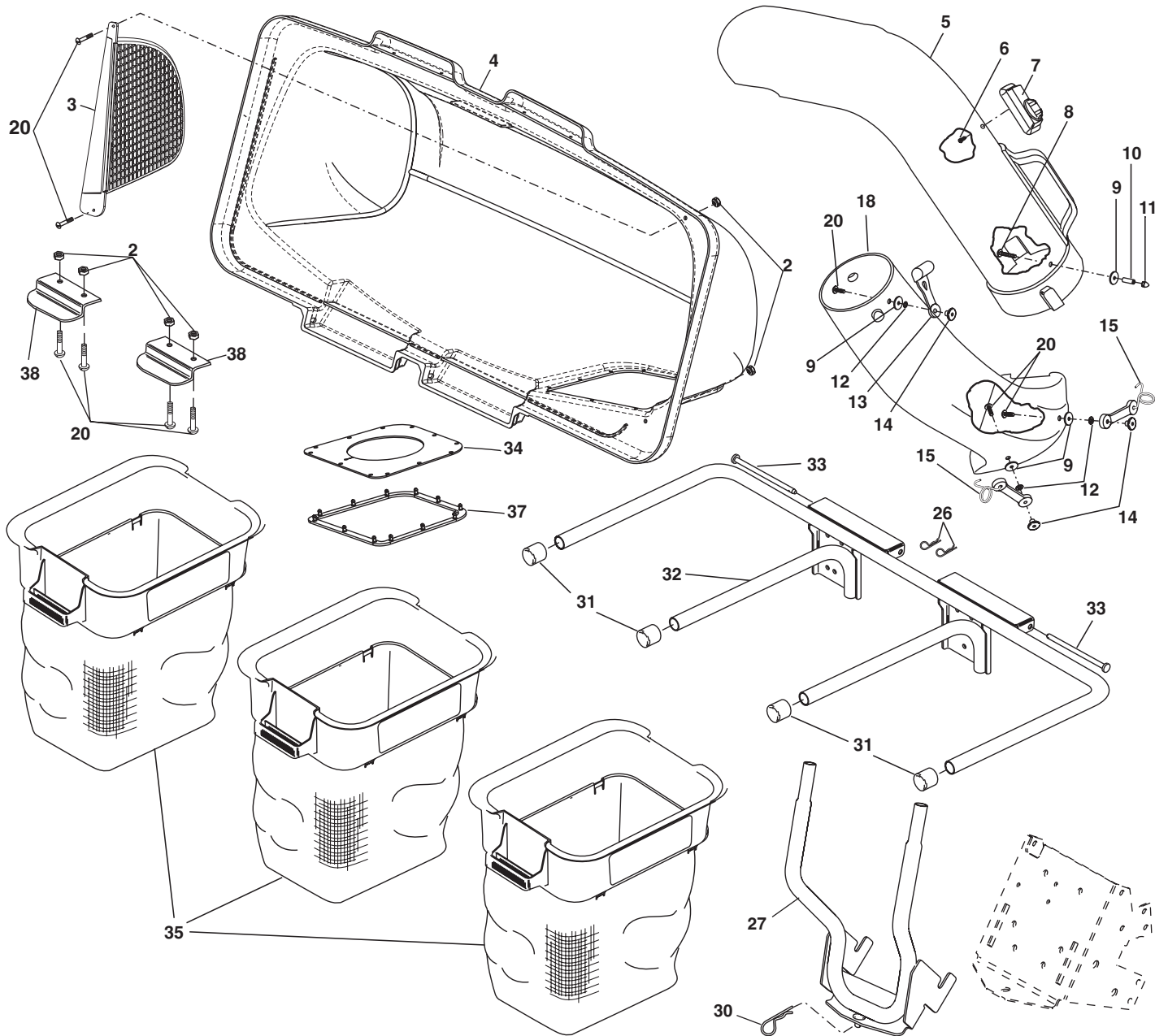
Model Number H348SG
Product No. 960 73 00-07
48 Inch Mower
Grass Catcher

- **Repair Parts**

 **Husqvarna**

REPAIR PARTS

GRASS CATCHER - MODEL NUMBER H348SG (PRODUCT NO. 960 73 00-07)



| KEY NO. | PART NO. | DESCRIPTION |
|---------|-----------|----------------------------------|
| 2 | 532069180 | Nut, Crownlock #10-24 |
| 3 | 532192709 | Screen, Cover |
| 4 | 532195373 | Cover Assembly (Includes 34, 37) |
| 5 | 532176741 | Chute, Upper |
| 6 | 818021008 | Screw, Special #10-14x1/2 |
| 7 | 532130933 | Full Bag Indicator |
| 8 | 532087175 | Screw, #10-24 x 1-1/8 |
| 9 | 819061216 | Washer 3/16x3/4x16 Ga. |
| 10 | 532007206 | Spacer, Split |
| 11 | 532060867 | Nut, Acorn #10-24 |
| 12 | 810071000 | Washer, lock |
| 13 | 532109808 | Latch, Chute |
| 14 | 532125004 | Nut, Weld |
| 15 | 532160793 | Latch |

| KEY NO. | PART NO. | DESCRIPTION |
|---------|-----------|--------------------------------|
| 18 | 532174345 | Chute, Lower |
| 20 | 871161010 | Screw #10-24 x 5/8 |
| 26 | 532004939 | Spring, Retainer |
| 27 | 532176987 | Support Assembly A |
| | 532198128 | Support Assembly B |
| 30 | 532165898 | Spring, Retainer |
| 31 | 532174083 | Plug, Tubing End |
| 32 | 532176990 | Bagger, Frame |
| 33 | 532192786 | Pin, Hinge |
| 34 | 532192550 | Gasket, Cover |
| 35 | 532400226 | Container |
| 37 | 532192603 | Seal, Cover |
| 38 | 532130895 | Latch Handle, Cover |
| -- | 532411513 | Owner's Manual, English/French |
| -- | 532411514 | Owner's Manual, Spanish |