

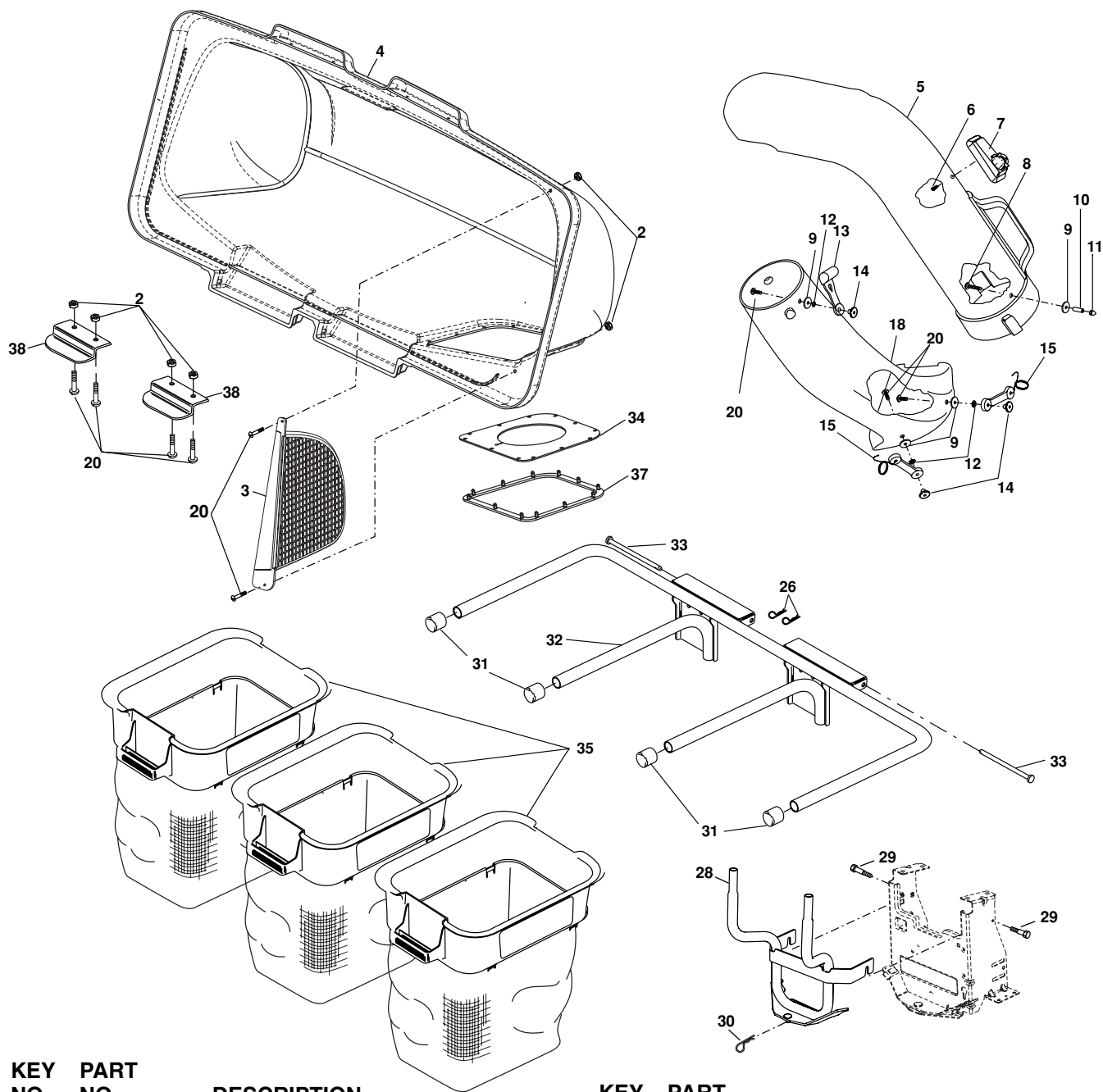
OWNER'S MANUAL
Model Number H346SL
Product No. 960 73 00-12
(MFG. ID. No. 96073001200)
46 Inch Mower
Grass Catcher

- **Assembly**
- **Operation**
- **Customer Responsibilities**
- **Repair Parts**

 **Husqvarna**

REPAIR PARTS

GRASS CATCHER - MODEL NUMBER H346SL (PRODUCT NO. 960 73 00-12)



KEY NO.	PART NO.	DESCRIPTION
2	532069180	Nut, Crownlock #10-24
3	532127533	Screen, Cover
4	532193010	Cover Assembly (Includes 34 & 37)
5	532411397	Chute, Upper
6	818021008	Screw, Special #10-14x1/2
7	532130933	Full Bag Indicator
8	532087175	Screw, #10-24 x 1-1/8
9	819061216	Washer 3/16x3/4x16 Ga.
10	532007206	Spacer, Split
11	532060867	Nut, Acorn #10-24
12	810071000	Washer, lock
13	532109808	Latch, Chute
14	532125004	Nut, Weld
15	532160793	Latch, Hook
18	532405455	Chute, Lower
20	871081010	Screw #10-24 x 5/8
21	532132796	Spring, Cover L.H. (black)

KEY NO.	PART NO.	DESCRIPTION
22	532133235	Spacer, Cover
23	532132983	Spring, Cover R.H. (gray)
24	532180923	Support Assemble
25	873800400	Locknut
26	532124670	Spring, Retainer
27	872140405	Bolt
28	532198364	Bracket, Lock
31	532174083	Plug, Tubing End
32	532176990	Bagger, Frame
33	532192786	Pin, Hinge
34	532127534	Gasket, Cover
35	532400226	Container
38	532130895	Latch Handle, Cover
39	532155042	Strip, Reinforcement
--	532413532	Owner's Manual, English/French
--	532413533	Owner's Manual, Spanish