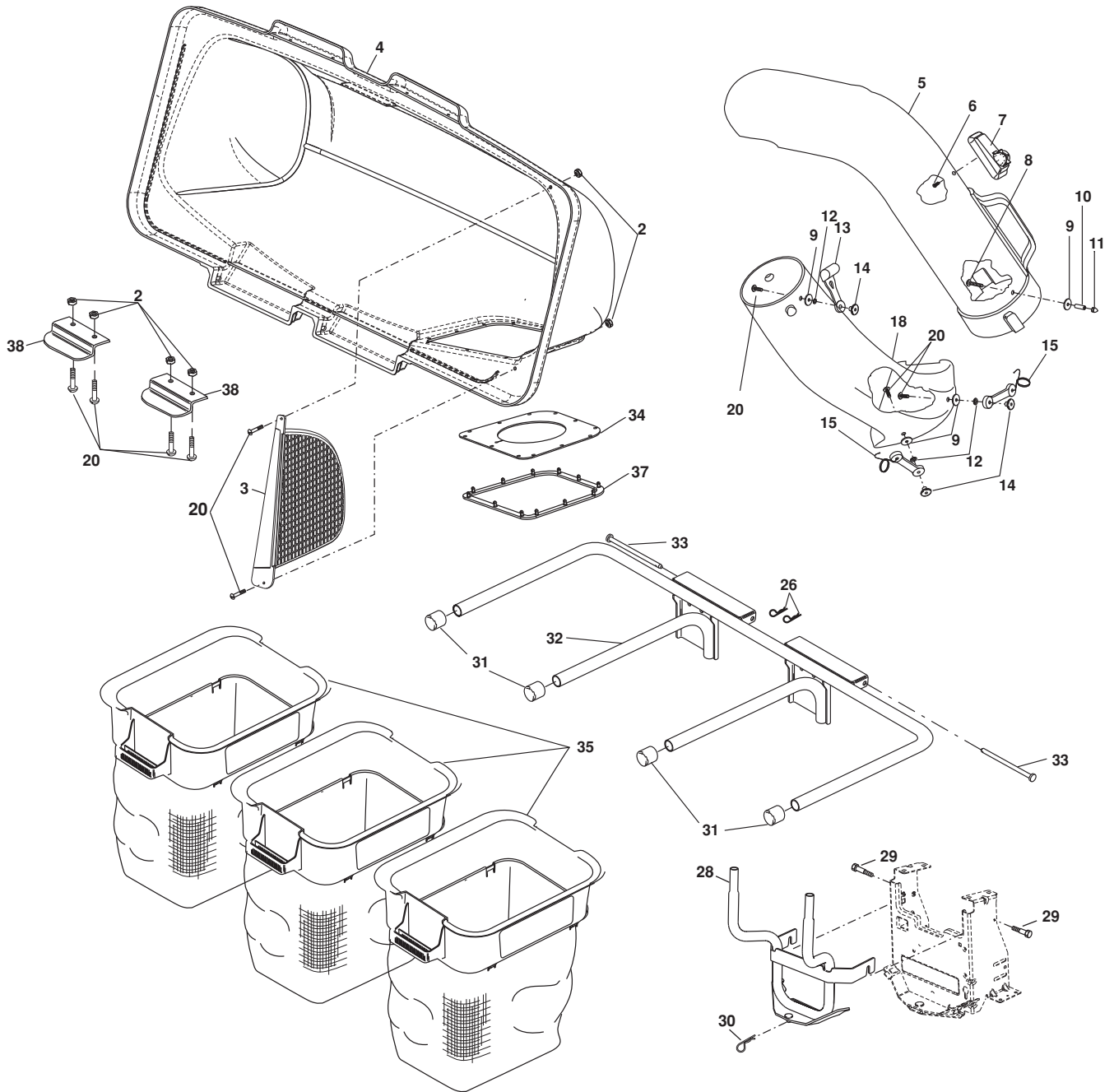


PART'S MANUAL
Model Number H346SL
Product No. 960730012
Grass Catcher

 **Husqvarna**®

REPAIR PARTS

GRASS CATCHER - MODEL NUMBER H346SL (PRODUCT NO. 960 73 00-12)



REPAIR PARTS

GRASS CATCHER - MODEL NUMBER H346SL (PRODUCT NO. 960 73 00-12)

KEY NO.	PART NO.	DESCRIPTION
2	532 06 91-80	Nut, Crownlock #10-24
3	532 19 27-09	Screen, Cover
4	532 19 30-10	Cover Assembly (Includes 34 & 37)
5	532 41 13-97	Chute, Upper
6	818 02 10-08	Screw, Special #10-14 x 1/2
7	532 13 09-33	Full Bag Indicator
8	532 08 71-75	Screw, #10-24 x 1-1/8
9	819 06 12-16	Washer 3/16 x 3/4 x 16 Ga.
10	532 00 72-06	Spacer, Split
11	532 06 08-67	Nut, Acorn #10-24
12	810 07 10-00	Washer, Lock
13	532 10 98-08	Latch, Chute
14	532 12 50-04	Nut, Weld
15	532 16 07-93	Latch, Hook
18	532 40 54-55	Chute, Lower
20	871 08 10-10	Screw #10-24 x 5/8
21	532 13 27-96	Spring, Cover L.H. (Black)
22	532 13 32-35	Spacer, Cover
23	532 13 29-83	Spring, Cover R.H. (Gray)
24	532 18 09-23	Support Assemble
25	873 80 04-00	Locknut
26	532 12 46-70	Spring, Retainer
27	872 14 04-05	Bolt
28	532 17 97-45	Bracket, Lock
31	532 17 40-83	Plug, Tubing End
32	532 17 69-90	Bagger, Frame
33	532 19 27-86	Pin, Hinge
34	532 12 75-34	Gasket, Cover
35	532 40 02-26	Container
38	532 13 08-95	Latch Handle, Cover
39	532 15 50-42	Strip, Reinforcement
--	532 41 35-32	Owner's Manual, English/French
--	532 41 35-33	Owner's Manual, Spanish

NOTE: All component dimensions given in U.S. inches
1 inch = 25.4 mm

