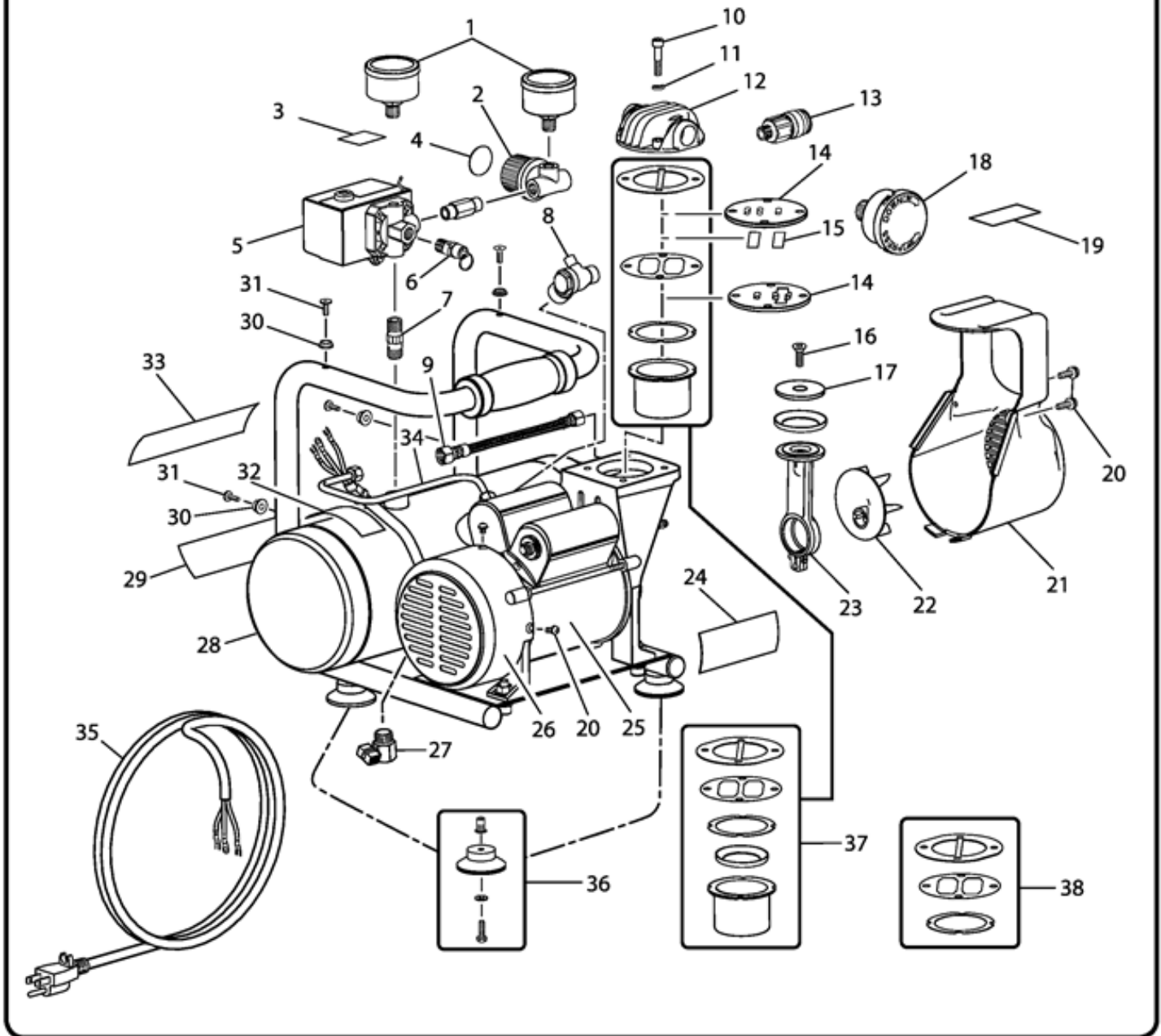


### HUSKY PORTABLE AIR COMPRESSOR - MODEL NO. H150PL



Ref #	Part #	Description	Qty	Context Note	Foot Note
1	100205	GAUGE	2		
2	100971	REGULATOR	1		
3	102499	POWER LABEL	1		
4	102500	REGULATOR KNOB LABEL	1		
5	100957	PRESSURE SWITCH	1		
6	102441	SAFETY VALVE	1		
7	100853	NIPPLE (1/4 in. X 35 mm)	2		
8	101362	CHECK VALVE	1		
9	102480	PRESSURE TUBE	1		
10	100708	BOLT (M 6 X 30 mm)	4	(Purchase locally)	
11	100521	LOCK WASHER (M6)	4		
12	100227	HEAD	1		
13	100307	QUICK CONNECT	1		
14	100228	PLATE	2		
15	100229	REED VALVE	2		
16	100802	SCREW (M6 X 16 mm)	1	(Purchase locally)	
17	100780	PISTON CAP	1		
18	100794	AIR FILTER	1		
19	102498	HOT SURFACE LABEL	1		
20	102531	MOTOR COVER SCREW (M3 X 10 mm)	5		
21	101716	PUMP SHROUD	1		
22	100776	FAN PUMP	1		
23	100774	CONNECTING RING	1		
24	102496	MOTOR LABEL	1		
25	102433	PUMP MOTOR	1		
26	100299	MOTOR SHROUD	1		
27	101717	DRAIN VALVE	1		
28	102474	FRAME/TANK ASSEMBLY	1		
29	102501	WARNING LABEL	1		
30	102529	MALE SNAP	4		
31	102530	SCREW SNAP	4		
32	102497	DATA LABEL	1		
33	102495	TANK LABEL	1		
34	102479	PRESSURE RELIEF TUBE	1		
35	102481	CORD w/CLIP	1		
36	101722	ISOLATOR KIT	1		
37	101721	PUMP REBUILD KIT	1		

38	101719	GASKET KIT	1
	FT-2501-CP	AIR HOSE	1 (ITEMS Not Shown)
	102537	AIR FILTER INSTALLATION LABEL	1 (ITEMS Not Shown)
	102538	LABEL WARNING SPANISH	1 (ITEMS Not Shown)
	3310054	TOOL BAG	1 (Items Not Shown)
	987000148	OPERATOR'S MANUAL	1 (Item Not Shown)