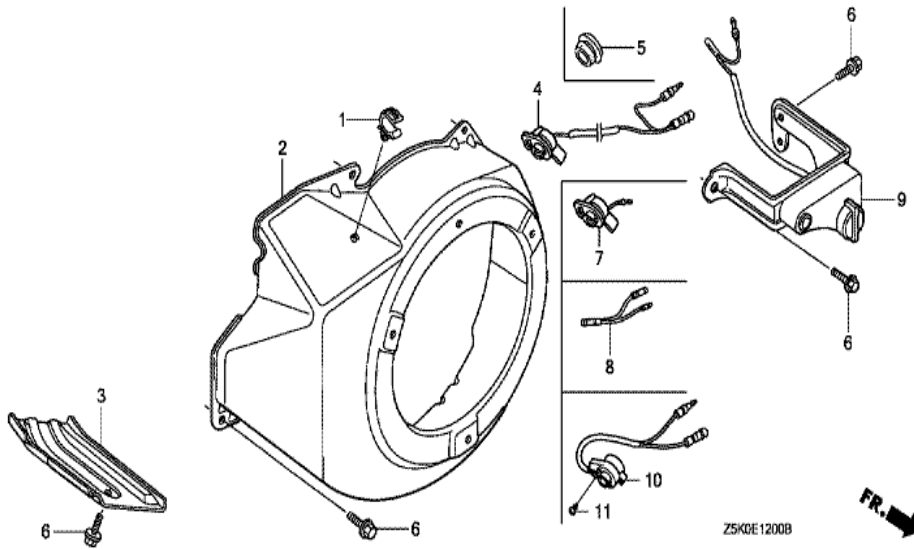
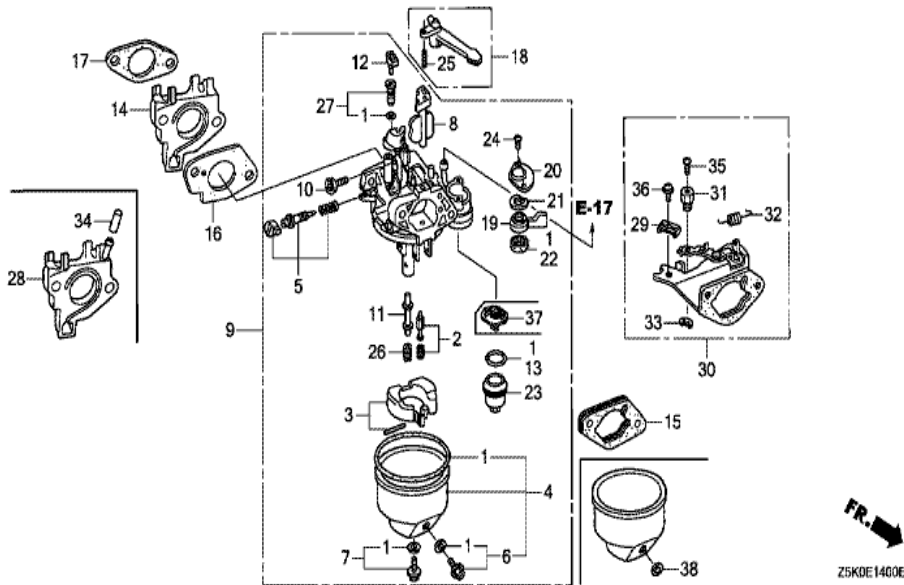


FR. →  
ZSKDE1100A

<u>Ref</u>	<u>Partnumber</u>	<u>Description</u>	<u>GX270RT</u>	<u>Serial Numbers</u>
001	28400-ZE2-W01ZN	STARTER ASSY., RECOIL *R280 *	1	1330728
001	28400-ZE2-W02ZN	STARTER ASSY., RECOIL *R280*	1	1330729
002	28410-ZE2-W01ZN	CASE COMP., RECOIL STARTER *R280 *	1	
003	28421-ZE2-W01	PULLEY, RECOIL STARTER	1	
004	28422-ZE2-W01	RATCHET, STARTER	2	
005	28441-ZE2-W01	SPRING, FRICTION	1	
006	28442-ZE2-W01	SPRING, STARTER RETURN	1	
007	28443-ZE2-W01	SPRING, RATCHET	2	
008	28444-ZE2-W01	RETAINER, SPRING	1	
009	28461-ZE2-W02	GRIP, STARTER	1	1256389
009	28461-ZE2-W03	GRIP, STARTER	1	1256390
010	28462-ZE2-W11	ROPE, RECOIL STARTER	1	
011	90004-ZE2-W01	SCREW, CENTER	1	
<u>Ref</u>	<u>Partnumber</u>	<u>Description</u>	<u>GX270RT</u>	<u>Serial Numbers</u>
012	90008-ZE2-003	BOLT, FLANGE, 6X10	3	

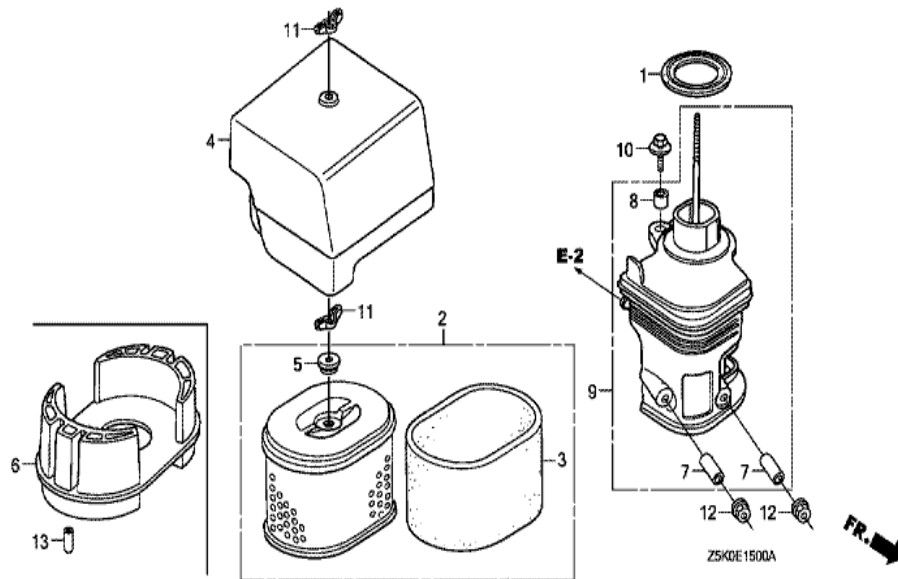


Ref	Partnumber	Description	GX270RT	Serial Numbers
001	16731-ZE2-003	CLIP, TUBE	1	
002	19610-ZE2-010ZL	COVER COMP., FAN *R280 *	1	
003	19631-ZE2-D00	SHROUD	1	
005	81329-567-020	GROMMET, DRAIN HOLE	1	
006	90013-883-000	BOLT, FLANGE, 6X12 (CT200)	6	

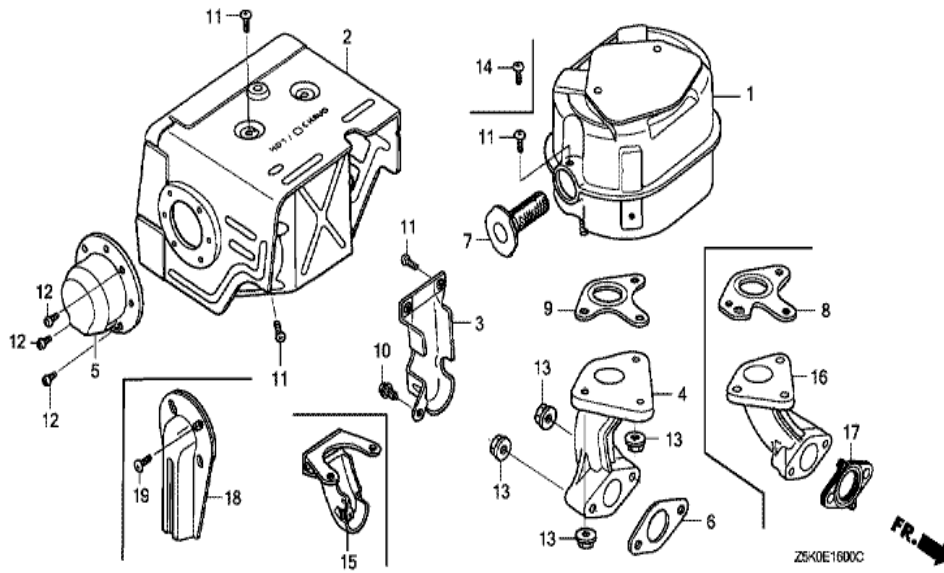


Ref	Partnumber	Description	GX270RT	Serial Numbers
001	16010-ZE2-812	GASKET SET	1	
002	16011-ZA0-931	VALVE SET, FLOAT	1	
003	16013-Z1C-003	FLOAT SET	1	
004	16015-ZE8-005	CHAMBER SET, FLOAT	1	
005	16016-ZH7-W01	SCREW SET, PILOT	1	
006	16024-ZE1-811	SCREW SET, DRAIN	1	
007	16028-ZE0-005	SCREW SET	1	
008	16044-ZE2-005	CHOKE SET	1	
009	16100-Z1D-W21	CARBURETOR ASSY. (BE78B A)	1	
010	16124-ZE0-005	SCREW, THROTTLE STOP	1	
011	16166-ZH9-W20	NOZZLE, MAIN	1	
012	16172-ZE3-W10	COLLAR, SETTING	1	
013	16173-001-004	PACKING, FUEL STRAINER CUP	1	

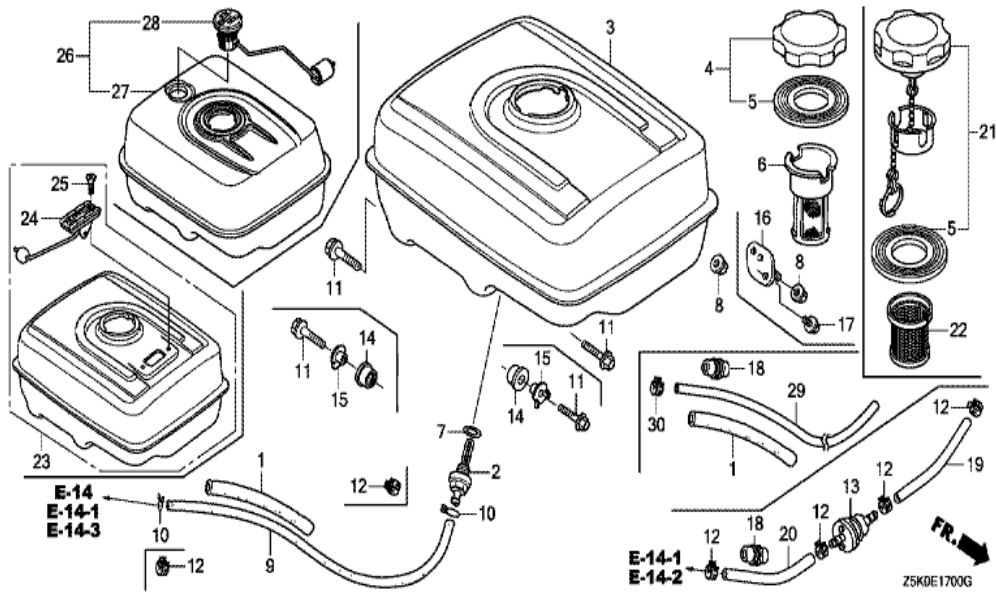
<u>Ref</u>	<u>Partnumber</u>	<u>Description</u>	<u>GX270RT</u>	<u>Serial Numbers</u>
014	16211-ZE2-000	INSULATOR, CARBURETOR	1	
015	16220-ZA0-702	SPACER COMP., CARBURETOR	1	
016	16221-ZA0-800	PACKING, CARBURETOR	1	
017	16223-ZA0-800	PACKING, INSULATOR	1	
018	16610-ZE1-000	LEVER COMP., CHOKE (STD.)	1	
019	16953-ZE1-812	LEVER, COCK	1	
020	16954-ZE1-812	PLATE, LEVER SETTING	1	
021	16956-ZE1-811	SPRING, COCK LEVER	1	
022	16957-ZE1-812	PACKING, FUEL COCK	1	
023	16967-ZE0-811	CUP, FUEL STRAINER	1	
024	93500-030061H	SCREW, PAN, 3X6	2	
025	94305-20122	PIN, SPRING, 2X12	1	
026	99101-ZH80800	JET, MAIN, #80	(1)	
026	99101-ZH80820	JET, MAIN, #82	(1)	
026	99101-ZH80850	JET, MAIN, #85	1	
026	99101-ZH80850	JET, MAIN, #85	(1)	
027	99204-ZE20400	JET SET, PILOT, #40	1	
027	99204-ZE20400	JET SET, PILOT, #40	1	BE75A C



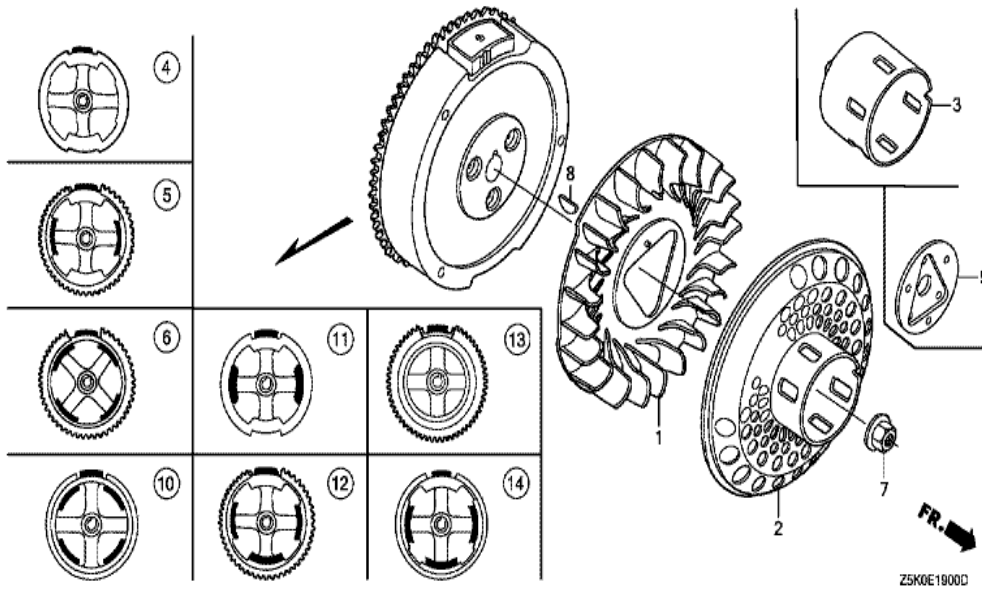
Ref	Partnumber	Description	GX270RT	Serial Numbers
001	16271-ZE2-010	PACKING, ELBOW	1	
002	17210-ZE2-822	ELEMENT, AIR CLEANER (DUAL)	1	
003	17218-ZE2-821	FILTER, OUTER	1	
004	17231-ZH9-820	COVER, AIR CLEANER	1	
005	17232-891-000	GROMMET, AIR CLEANER	1	
006	17235-Z5H-000	NOSE, SILENCER	1	
007	17238-ZE2-310	COLLAR, AIR CLEANER	2	
008	17239-ZE1-000	COLLAR B, AIR CLEANER	1	
009	17410-ZE2-020	ELBOW COMP., AIR CLEANER	1	
010	90009-Z1C-000	BOLT-WASHER, 6X22	1	
011	90325-044-000	NUT, TOOL BOX SETTING	2	
012	94050-06000	NUT, FLANGE, 6MM	2	
013	90634-ZL8-H00	CAP, SEALING	1	



<u>Ref</u>	<u>Partnumber</u>	<u>Description</u>	<u>GX270RT</u>	<u>Serial Numbers</u>
001	18310-ZE2-W00	MUFFLER COMP.	1	
002	18320-ZE2-W01	PROTECTOR COMP., MUFFLER (STD.)	1	
003	18323-ZE2-W00	PROTECTOR, EX. PIPE	1	
004	18330-ZE2-W00	PIPE, EX.	1	
005	18331-ZE2-810	CAP, MUFFLER	1	
006	18333-Z1C-801	GASKET, EX. PIPE	1	
007	18355-ZE2-010	ARRESTER, SPARK	(1)	
007	18355-ZE2-W00	ARRESTER, SPARK	(1)	
008	18381-Z8S-801	GASKET, MUFFLER (ARRESTER) (THAI LEAKLES	1	
008	18381-ZE2-W10	GASKET, MUFFLER (ARRESTER) (NIPPON LEAKL	(1)	
010	90013-883-000	BOLT, FLANGE, 6X12 (CT200)	1	
011	90050-ZE1-000	SCREW, TAPPING, 5X8	7	
013	94050-08000	NUT, FLANGE, 8MM	5	
<u>Ref</u>	<u>Partnumber</u>	<u>Description</u>	<u>GX270RT</u>	<u>Serial Numbers</u>
014	90055-ZE1-000	SCREW, TAPPING, 4X6	3	



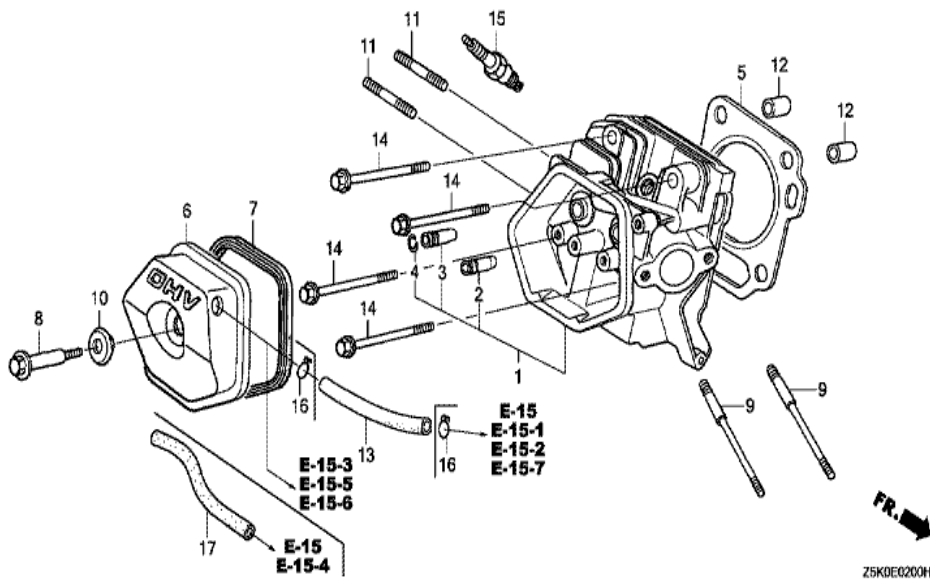
Ref	Partnumber	Description	GX270RT	Serial Numbers
001	16854-ZH8-000	RUBBER, SUPPORTER (107MM)	1	
009	91424-Z5F-802	TUBE, FUEL, 4.5X222 (FKM)	1	
012	95002-4080008	CLAMP, TUBE (D8)	2	1015790



Z5K0E1900D

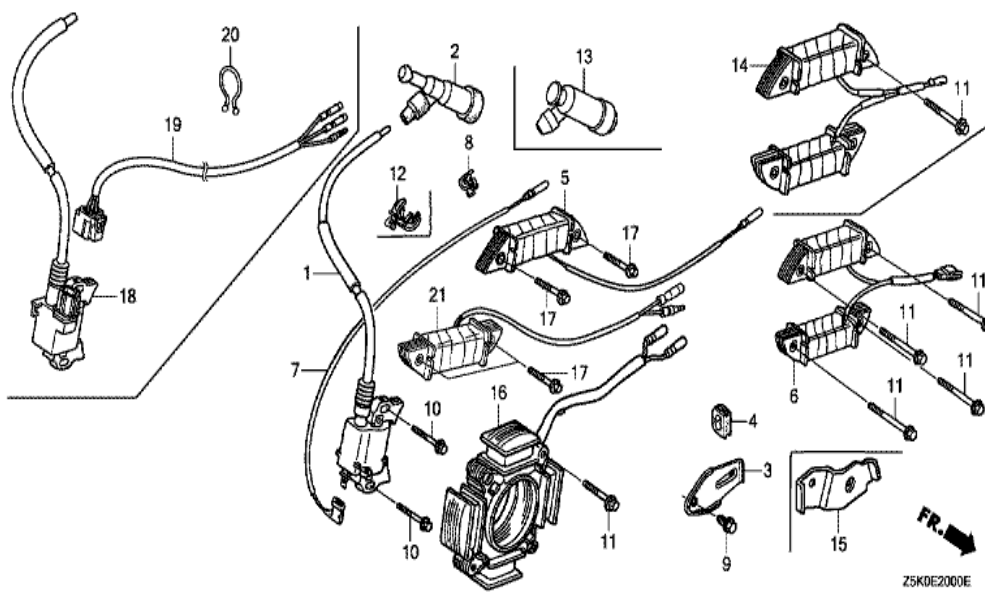
Ref	Partnumber	Description	GX270RT	Serial Numbers
001	19511-ZE2-000	FAN, COOLING	1	
002	28450-ZE2-W11	PULLEY COMP., STARTER (SCREEN GRID)	1	
006	31100-ZE2-832	FLYWHEEL COMP. (4POLE)	1	
007	90201-ZE3-790	NUT, SPECIAL, 16MM	1	
008	90741-ZE2-000	KEY, SPECIAL WOODRUFF, 25X18	1	





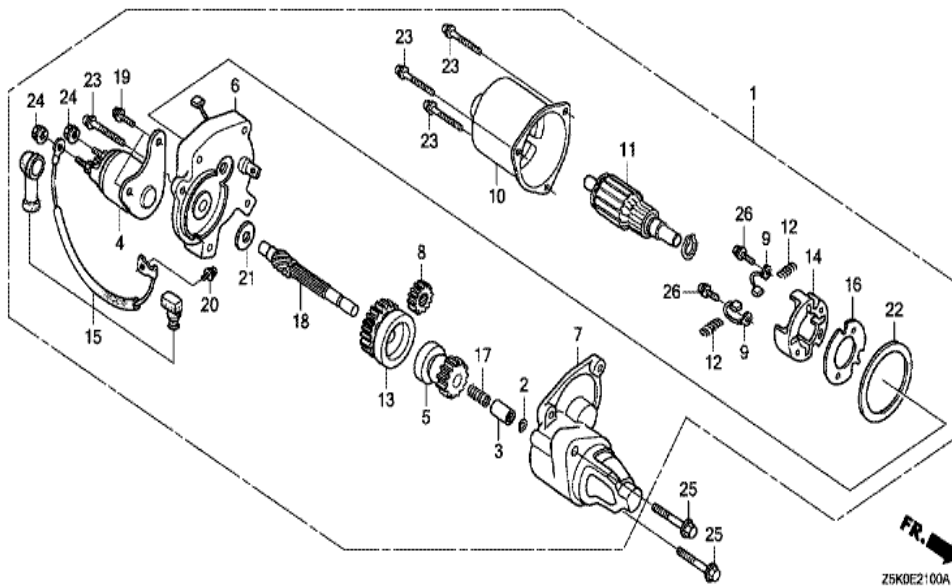
Z5KDEG200H

Ref	Partnumber	Description	GX270RT	Serial Numbers
001	12200-Z1D-405	HEAD COMP., CYLINDER	1	
002	12204-ZE2-306	GUIDE, IN. VALVE (O.S.)	1	
003	12205-ZE2-305	GUIDE, EX. VALVE (OS)	1	
004	12216-ZE2-300	CLIP, VALVE GUIDE	1	
005	12251-Z1D-801	GASKET, CYLINDER HEAD (THAI LEAKLESS)	1	
006	12310-ZE2-020	COVER COMP., HEAD	1	
007	12391-ZE2-020	PACKING, HEAD COVER	1	
008	90014-ZE2-000	BOLT, HEAD COVER	1	
009	90042-ZE2-000	BOLT, STUD, 8X123	2	
010	90441-ZE2-010	WASHER COMP., HEAD COVER	1	
011	92900-080320E	BOLT, STUD, 8X32	2	
011	92900-080320E	BOLT, STUD, 8X32	2	
012	94301-12200	DOWEL PIN, 12X20	2	
Ref	Partnumber	Description	GX270RT	Serial Numbers
013	95005-1110030	TUBE, 11X100 (95005-11001-30M)	1	
014	95701-1008000	BOLT, FLANGE, 10X80	4	
015	98079-55846	PLUG, SPARK (BPR5ES) (NGK)	(1)	
015	98079-55855	PLUG, SPARK (W16EPR-U) (DENSO)	(1)	
015	98079-56876	PLUG, SPARK (BPR6ES) (NGK)	1	

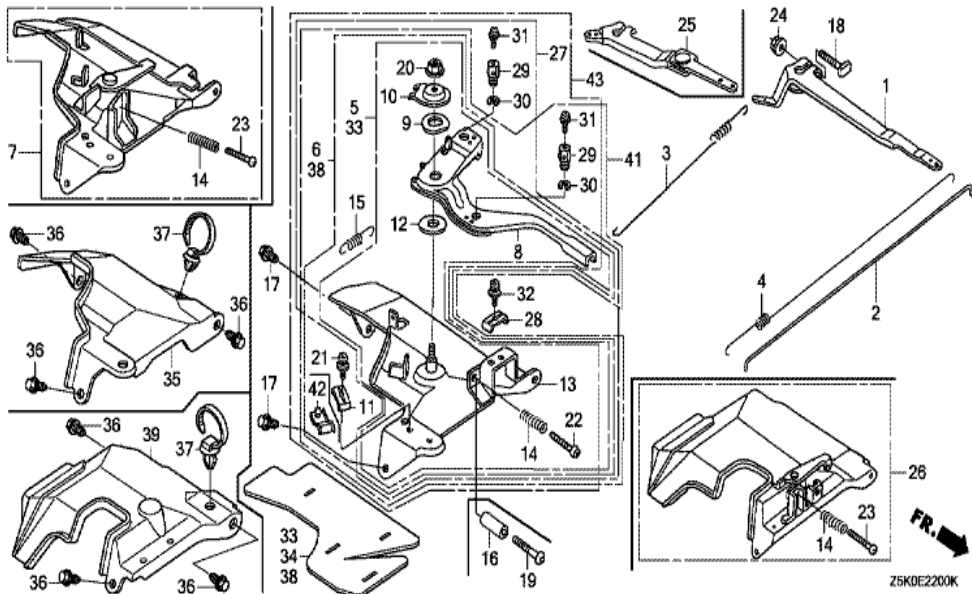


Z5K0E2000E

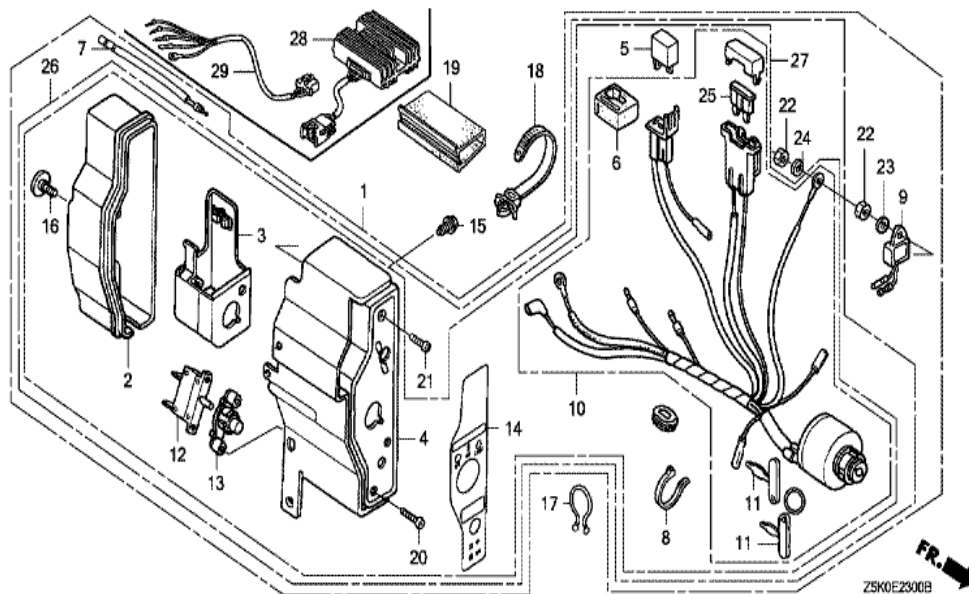
Ref	Partnumber	Description	GX270RT	Serial Numbers
001	30500-Z1C-023	COIL ASSY., IGNITION	1	
002	30700-Z1C-811	CAP ASSY., NOISE SUPPRESSOR (NGK Y-EZD)	1	
003	31511-ZE2-000	CLAMPER, CORD	1	
004	31512-ZE2-000	GROMMET, CORD	1	
005	31630-ZE2-842	COIL ASSY., CHARGE (3A)	1	
007	36101-ZE1-010	CORD, STOP SWITCH (370MM)	1	
008	36103-ZE1-000	HOLDER, STOP SWITCH CORD	1	
009	90013-883-000	BOLT, FLANGE, 6X12 (CT200)	1	
010	90015-883-000	BOLT, FLANGE, 6X28 (CT200)	2	
017	90017-883-000	BOLT, FLANGE, 6X32 (CT200)	2	



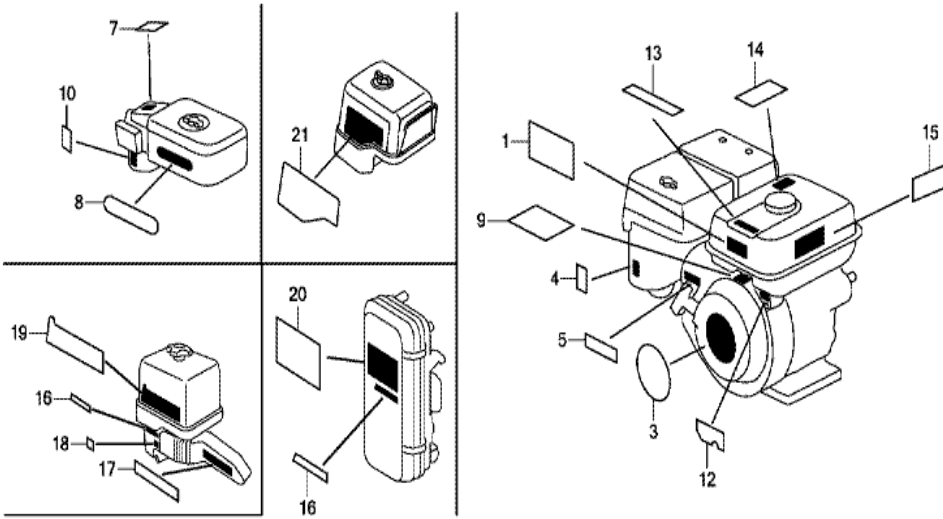
<u>Ref</u>	<u>Partnumber</u>	<u>Description</u>	<u>GX270RT</u>	<u>Serial Numbers</u>
001	31200-ZH9-013	MOTOR ASSY., STARTER	1	
002	31201-ZA1-003	RING, SNAP	1	
003	31202-ZA1-003	COLLAR, CLUTCH STOP	1	
004	31204-ZA0-003	CONTACTOR ASSY.	1	
005	31207-ZH9-003	CLUTCH COMP., OVERRUNNING	1	
006	31211-ZE2-003	BRACKET, CENTER	1	
007	31212-ZE2-003	BRACKET, FR.	1	
008	31213-ZE2-003	GEAR, DRIVE PINION	1	
009	31215-ZE2-003	BRUSH	2	
010	31216-ZE2-003	YOKE COMP.	1	
011	31217-ZE2-003	ARMATURE COMP.	1	
012	31219-ZE2-003	SPRING, BRUSH RETURN	4	
013	31222-ZE3-791	GEAR, REDUCTION	1	
<u>Ref</u>	<u>Partnumber</u>	<u>Description</u>	<u>GX270RT</u>	<u>Serial Numbers</u>
014	31231-ZE2-003	HOLDER, BRUSH	1	
015	31232-ZE3-003	WIRE, WATER COVER	1	
016	31233-ZE2-003	INSULATOR	1	
017	31244-ZH9-003	SPRING	1	
018	31245-ZH9-003	SHAFT	1	
019	90007-ZE2-003	BOLT-WASHER, 5X14	2	
020	90110-ZE2-003	SCREW-WASHER, 4X6	1	
021	90403-ZH9-003	WASHER, SK	1	
022	91601-ZE2-003	PACKING	1	
023	93892-0503218	SCREW-WASHER, 5X32	4	
024	94070-06080	NUT-WASHER, 6MM	2	
025	95701-0804000	BOLT, FLANGE, 8X40	2	
026	31219-ZE3-003	SCREW-WASHER, 4X14	2	



Ref	Partnumber	Description	GX270RT	Serial Numbers
001	16551-ZE2-000	ARM, GOVERNOR	1	
002	16555-ZE2-000	ROD, GOVERNOR	1	
003	16561-ZE2-000	SPRING, GOVERNOR (L=145.0MM) (WIRE DIAME	1	
004	16562-ZE2-000	SPRING, THROTTLE RETURN	1	
006	16570-ZE2-W20	CONTROL ASSY. (REMOTE)	1	
008	16571-ZE2-W00	LEVER, CONTROL	1	
009	16574-ZE1-000	SPRING, LEVER	1	
010	16575-ZE2-W00	WASHER, CONTROL LEVER	1	
011	16576-891-000	HOLDER, CABLE	1	
012	16578-ZE1-000	SPACER, CONTROL LEVER	1	
013	16581-ZE2-W00	BASE COMP., CONTROL (###)	1	
014	16584-883-300	SPRING, CONTROL ADJUSTING	1	
015	16592-883-310	SPRING, CABLE RETURN	1	
Ref	Partnumber	Description	GX270RT	Serial Numbers
017	90013-883-000	BOLT, FLANGE, 6X12 (CT200)	2	
018	90015-ZE5-010	BOLT, GOVERNOR ARM	1	
020	90114-SA0-000	NUT, SELF-LOCK, 6MM	1	
021	93500-050160A	SCREW, PAN, 5X16	1	
022	93500-050280A	SCREW, PAN, 5X28	1	
024	94050-06000	NUT, FLANGE, 6MM	1	

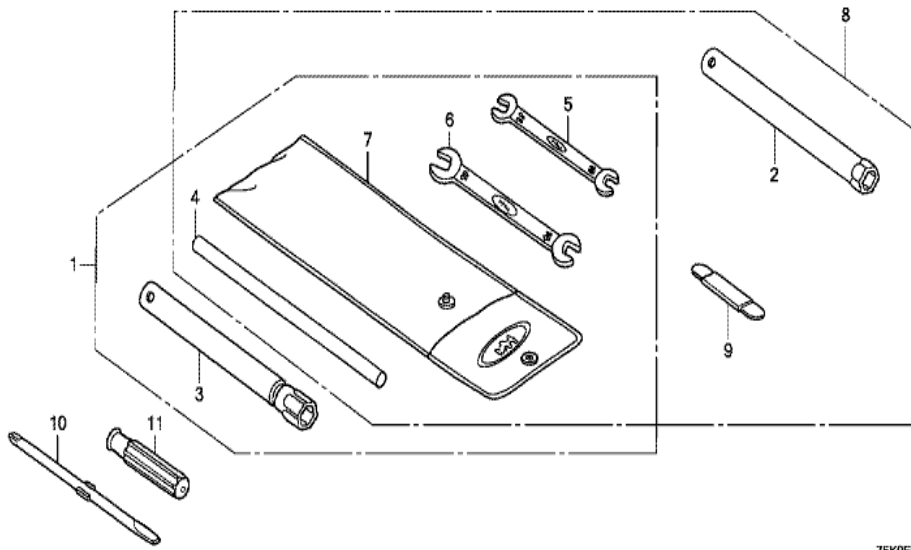


Ref	Partnumber	Description	GX270RT	Serial Numbers
001	31610-Z5J-801ZC	BOX ASSY., CONTROL (EXP-ALERT) (3A) *R28	1	
002	31612-ZE2-003	CASE, CONTROL	1	
003	31614-ZE2-003	BRACKET, CASE MOUNTING	1	
004	31615-ZE2-003ZG	PANEL COMP., CONTROL *R280 *	1	
005	31700-124-008	RECTIFIER ASSY., SILICON (SHINDENGEN)	1	
006	32127-738-700	SUSPENSION, COUPLER	1	
007	32197-ZE1-003	HARNESS, SUB WIRE	1	
008	32902-892-003	BAND	1	
009	34150-ZH7-013	ALERT UNIT, OIL	1	
010	35100-ZE2-843	SWITCH ASSY., COMBINATION (3A-CHARGE)	1	
011	35111-880-013	KEY COMP. (HONDA LOCK)	2	
012	38240-ZE2-840	PROTECTOR, CIRCUIT (3.5A)	1	
013	38250-ZA8-701	LENS ASSY., PROTECTOR	1	
Ref	Partnumber	Description	GX270RT	Serial Numbers
014	87529-Z4T-840	MARK, CONTROL BOX (EXTERNAL)	1	
015	90013-883-000	BOLT, FLANGE, 6X12 (CT200)	2	
016	90380-MA6-010	SCREW, SPECIAL, 6X12	1	
017	90630-751-000	CLIP, PURSE LOCK	1	
018	90672-SA0-003	STRAP, CABLE, 118MM (BLACK)	1	
019	91406-ZE2-003	TUBE, FASTENER, 30MM	1	
020	93500-030120H	SCREW, PAN, 3X12	2	
021	93500-040120H	SCREW, PAN, 4X12	1	
022	94001-043900S	NUT, HEX., 4MM	2	
023	94101-04800	WASHER, PLAIN, 4MM	1	
024	94111-04800	WASHER, SPRING, 4MM	1	
025	98200-31500	FUSE, BLADE (15A)	1	



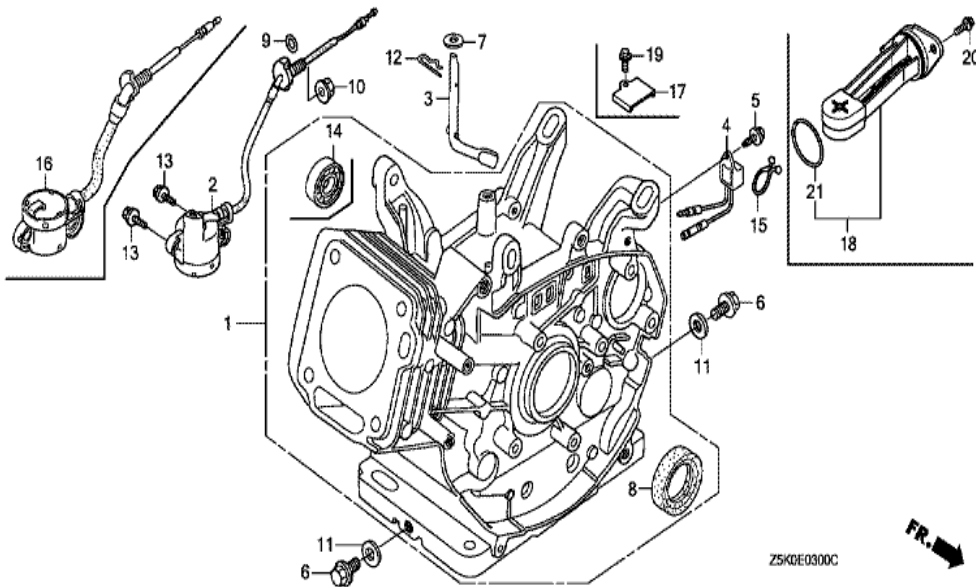
Z5K0E2800G

Ref	Partnumber	Description	GX270RT	Serial Numbers
003	87521-ZH9-040	EMBLEM (GX270)	1	
004	87528-ZH7-000	MARK, CHOKE (GRAY)	1	
005	87532-ZH7-000	MARK, THROTTLE INDICATION	1	
009	87516-Z4H-000	MARK, OPERATOR CAUTION (ENGLISH) (MADE I	1	
009	87516-Z4H-810	MARK, OPERATOR CAUTION (PICTOGRAPH) (MAD	(1)	



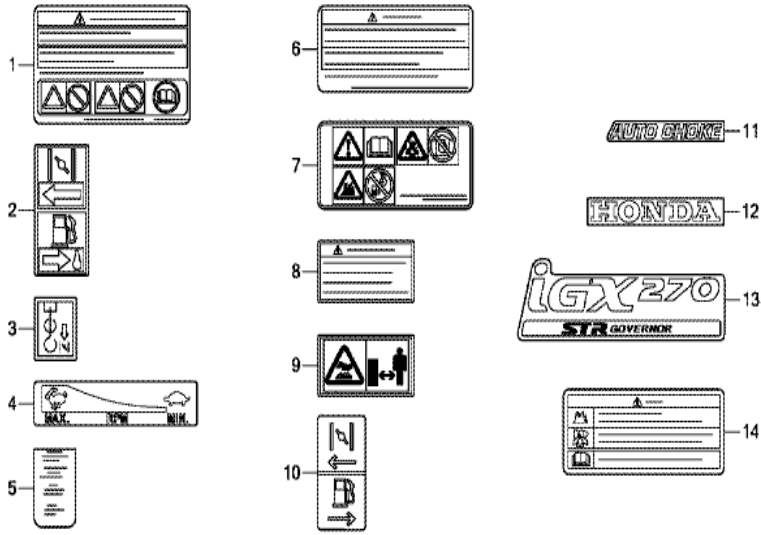
Z5KDE29006

<u>Ref</u>	<u>Partnumber</u>	<u>Description</u>	<u>GX270RT</u>	<u>Serial Numbers</u>
002	89216-ZOT-800	WRENCH, SPARK PLUG	1	



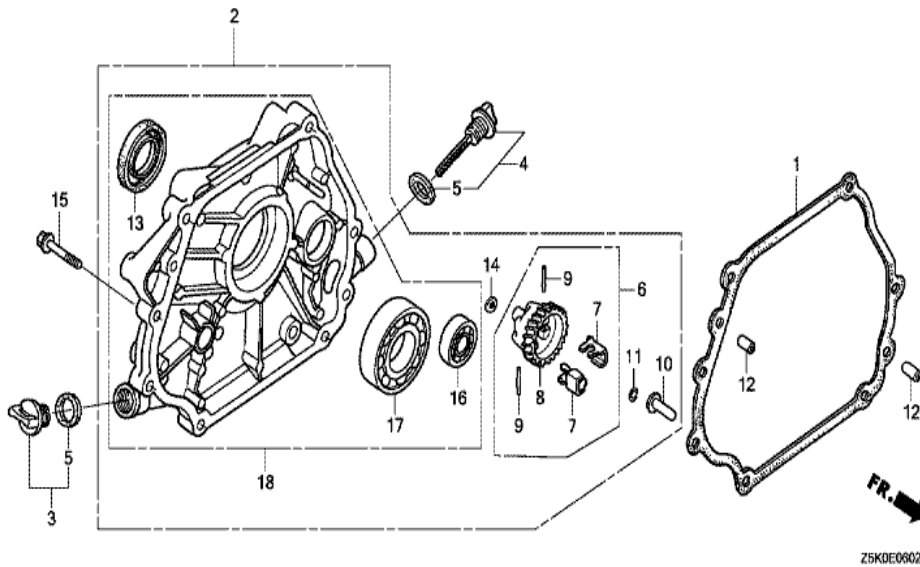
Ref	Partnumber	Description	GX270RT	Serial Numbers
001	12000-Z1D-Q10	BARREL ASSY., CYLINDER	1	
003	16541-ZE2-010	SHAFT, GOVERNOR ARM	1	
006	90131-883-000	BOLT, DRAIN PLUG, 12X15	2	
007	90446-KE1-000	WASHER, 8.2X17X0.8	1	
008	91201-Z1D-003	OIL SEAL, 30X46X8 (NOK ASIA)	1	
009	91353-671-004	O-RING, 14MM (NOK)	1	
010	94050-10000	NUT, FLANGE, 10MM	1	
011	94109-12000	WASHER, DRAIN PLUG, 12MM	2	
012	94251-10000	PIN, LOCK, 10MM	1	
013	95701-0601200	BOLT, FLANGE, 6X12	2	
014	96100-6202000	BEARING, RADIAL BALL, 6202	1	
015	90630-751-000	CLIP, PURSE LOCK	1	
016	35480-ZF6-003	SWITCH ASSY., OIL LEVEL	1	





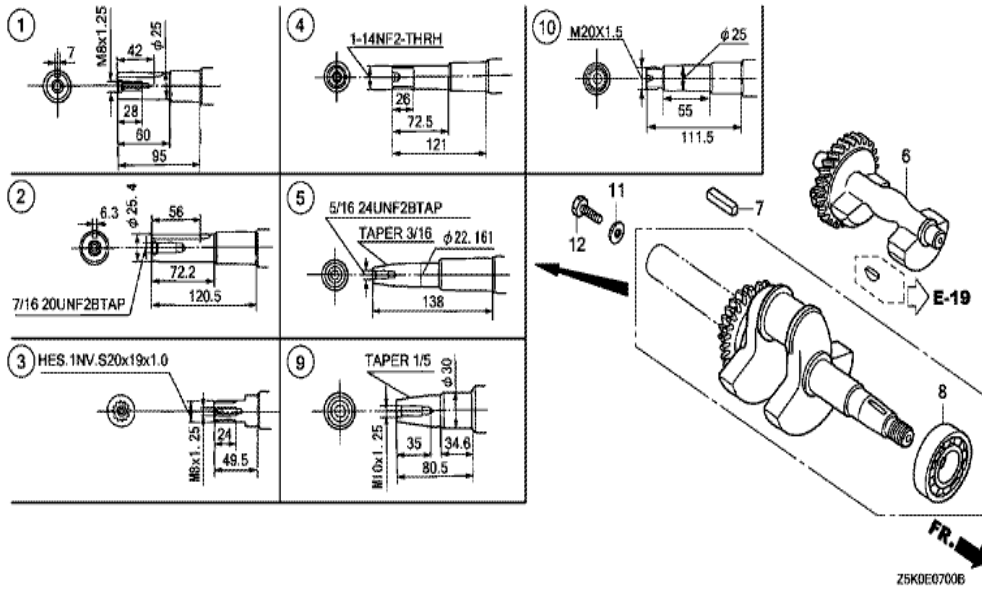
Z5K0E4002C

Ref	Partnumber	Description	GX270RT	Serial Numbers
001	87516-Z4H-800	MARK, OPERATOR CAUTION (FRENCH) (MADE IN		1

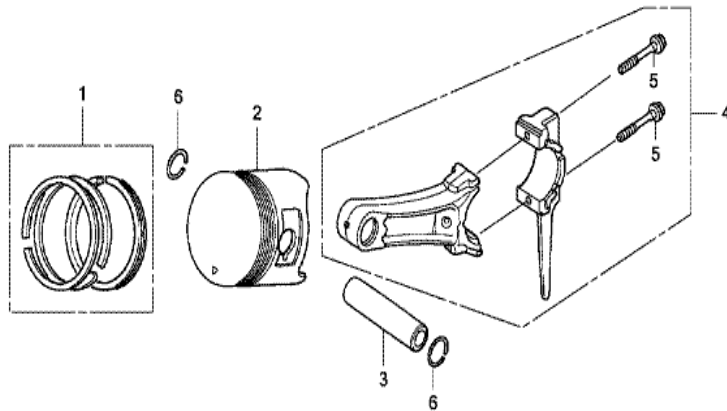


Z5KDE0602B

<u>Ref</u>	<u>Partnumber</u>	<u>Description</u>	<u>GX270RT</u>	<u>Serial Numbers</u>
001	11381-ZE2-801	PACKING, CASE COVER	1	
002	11400-Z1D-600	COVER ASSY., CRANKCASE	1	
003	15600-Z0T-820	CAP ASSY., OIL FILLER (BLACK)	1	
004	15600-Z1C-000	CAP ASSY., OIL FILLER	1	
005	15625-Z0T-800	PACKING, OIL FILLER CAP	2	
006	16510-ZE2-811	GOVERNOR ASSY.	1	
007	16511-ZE2-000	WEIGHT, GOVERNOR	2	
008	16512-ZE2-811	HOLDER, GOVERNOR WEIGHT	1	
009	16513-ZE2-000	PIN, GOVERNOR WEIGHT	2	
010	16531-Z0A-000	SLIDER, GOVERNOR	1	
011	90602-ZE1-000	CLIP, GOVERNOR HOLDER	1	
012	90701-HC4-000	DOWEL PIN, 8X12	2	
013	91201-Z1D-003	OIL SEAL, 30X46X8 (NOK ASIA)	1	
<u>Ref</u>	<u>Partnumber</u>	<u>Description</u>	<u>GX270RT</u>	<u>Serial Numbers</u>
014	94101-06800	WASHER, PLAIN, 6MM	1	
015	95701-0803500	BOLT, FLANGE, 8X35	7	
016	96100-6202000	BEARING, RADIAL BALL, 6202	1	
017	96100-6206000	BEARING, RADIAL BALL, 6206	1	



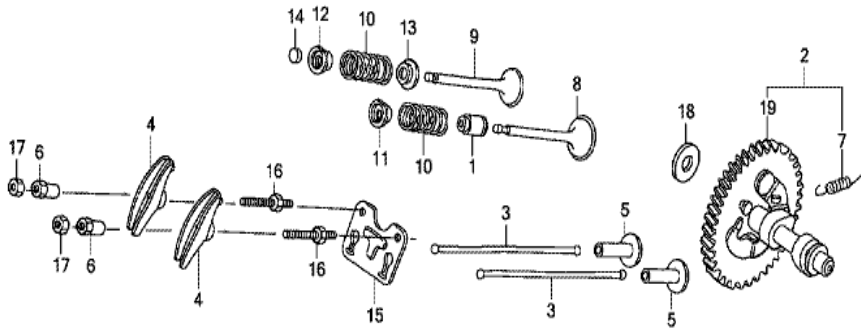
Ref	Partnumber	Description	GX270RT	Serial Numbers
005	13310-ZH9-841	CRANKSHAFT COMP.	1	
006	13351-ZE2-010	WEIGHT, BALANCER	1	
008	91001-ZH9-003	BEARING, RADIAL BALL (6206 SH)	1	



ZSK0E0800A



<u>Ref</u>	<u>Partnumber</u>	<u>Description</u>	<u>GX270RT</u>	<u>Serial Numbers</u>
001	13010-Z5H-004	RING SET, PISTON (STD.) (TPR)	1	
001	13011-Z5H-004	RING SET, PISTON (0.25) (TPR)	(1)	
001	13012-Z5H-004	RING SET, PISTON (0.50) (TPR)	(1)	
001	13013-Z5H-004	RING SET, PISTON (0.75) (TPR)	(1)	
002	13101-ZH9-010	PISTON (STD.)	1	
002	13101-ZH9-010	PISTON (STD.)	1	
002	13102-ZH9-010	PISTON (0.25)	(1)	
002	13102-ZH9-010	PISTON (0.25)	(1)	
002	13103-ZH9-010	PISTON (0.50)	(1)	
002	13103-ZH9-010	PISTON (0.50)	(1)	
002	13104-ZH9-010	PISTON (0.75)	(1)	
002	13104-ZH9-010	PISTON (0.75)	(1)	
003	13111-ZE2-000	PIN, PISTON	1	
<u>Ref</u>	<u>Partnumber</u>	<u>Description</u>	<u>GX270RT</u>	<u>Serial Numbers</u>
004	13200-Z1D-000	ROD ASSY., CONNECTING (STD.)	1	
004	13200-ZE2-305	ROD ASSY., CONNECTING (0.25 UNDER SIZE)	(1)	
005	90001-ZE8-000	BOLT, CONNECTING ROD	2	
006	90551-ZE1-000	CLIP, PISTON PIN, 18MM	2	



Z5KDE0900B

<u>Ref</u>	<u>Partnumber</u>	<u>Description</u>	<u>GX270RT</u>	<u>Serial Numbers</u>
001	12209-ZE8-003	SEAL, VALVE STEM	1	
002	14100-ZE3-020	CAMSHAFT ASSY.	1	
003	14410-Z1D-000	ROD, PUSH	2	
004	14431-ZE2-010	ARM, VALVE ROCKER	2	
005	14441-ZE2-000	LIFTER, VALVE	2	
006	14451-ZE1-013	PIVOT, ROCKER ARM	2	
007	14568-ZE1-000	SPRING, WEIGHT RETURN	1	
008	14711-ZE2-000	VALVE, IN.	1	
009	14721-ZE2-000	VALVE, EX.	1	
010	14751-Z1C-000	SPRING, VALVE	2	
011	14771-Z8S-000	RETAINER, IN. VALVE SPRING	1	
012	14773-Z8S-000	RETAINER, EX. VALVE SPRING	1	
013	14775-ZE2-010	SEAT, VALVE SPRING	1	
<u>Ref</u>	<u>Partnumber</u>	<u>Description</u>	<u>GX270RT</u>	<u>Serial Numbers</u>
014	14781-ZE2-000	ROTATOR, VALVE	1	
015	14791-Z1D-000	GUIDE, PUSH ROD	1	
016	90012-ZE0-010	BOLT, PIVOT, 8MM	2	
017	90206-ZE1-000	NUT, PIVOT ADJUSTING	2	