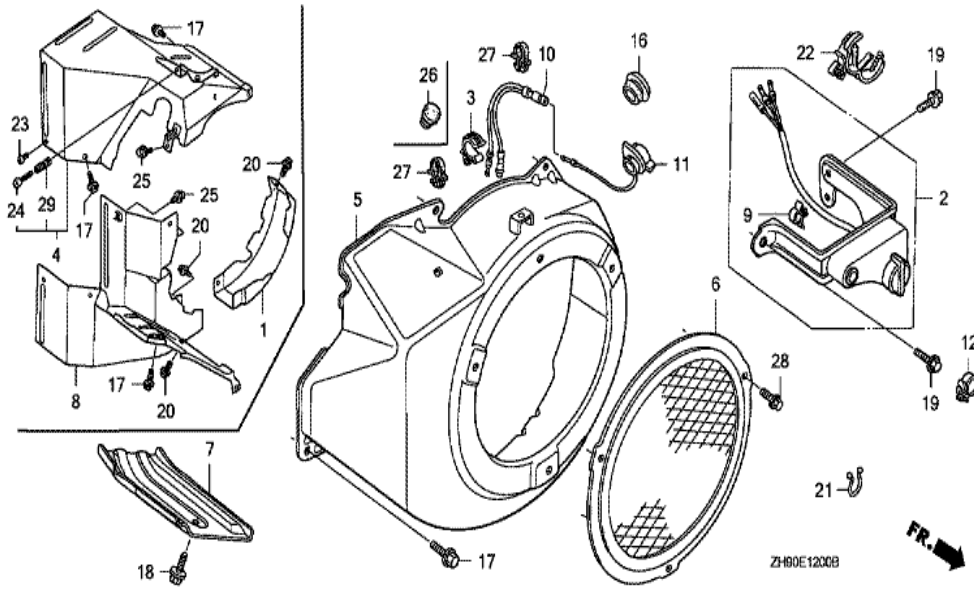


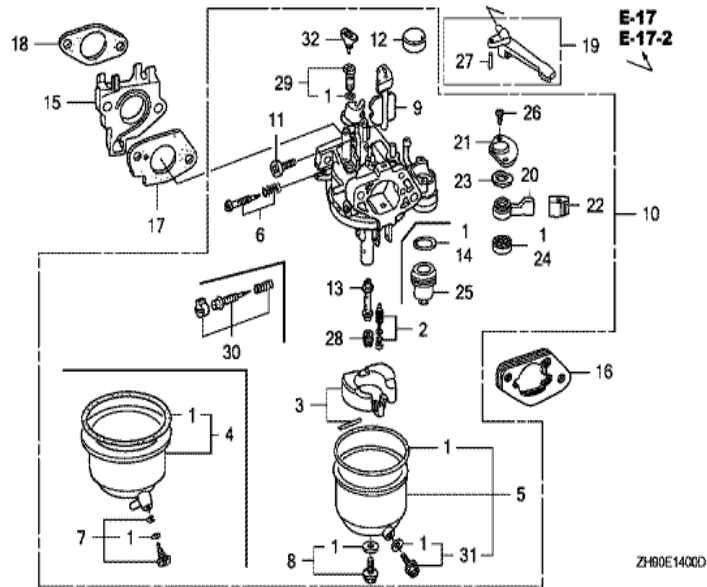
ZH90-E11008



<u>Ref</u>	<u>Partnumber</u>	<u>Description</u>	<u>GX270</u>	<u>Serial Numbers</u>
001	28400-ZE2-W01ZA	STARTER ASSY., RECOIL *R8 *	1	
002	28410-ZE2-W01ZA	CASE COMP., RECOIL STARTER *R8 *	1	
003	28421-ZE2-W01	PULLEY, RECOIL STARTER	1	
004	28422-ZE2-W01	RATCHET, STARTER	2	
005	28441-ZE2-W01	SPRING, FRICTION	1	
006	28442-ZE2-W01	SPRING, STARTER RETURN	1	
007	28443-ZE2-W01	SPRING, RATCHET	2	
008	28444-ZE2-W01	RETAINER, SPRING	1	
010	28461-ZE2-W02	GRIP, STARTER	1	
011	28462-ZE2-W01	ROPE, RECOIL STARTER	1	1413598
011	28462-ZE2-W11	ROPE, RECOIL STARTER	1	1413599
012	28469-ZE2-W01	REINFORCEMENT, GRIP	1	1413598
013	90004-ZE2-W01	SCREW, CENTER	1	
<u>Ref</u>	<u>Partnumber</u>	<u>Description</u>	<u>GX270</u>	<u>Serial Numbers</u>
014	95701-0600800	BOLT, FLANGE, 6X8	3	



Ref	Partnumber	Description	GX270	Serial Numbers
003	16731-ZE2-003	CLIP, TUBE	1	
005	19610-ZE2-010ZA	COVER COMP., FAN *R8 *	1	
007	19631-ZE2-D00	SHROUD	1	
011	36100-ZE1-015	SWITCH ASSY., ENGINE STOP	1	
018	90013-883-000	BOLT, FLANGE, 6X12 (CT200)	1	



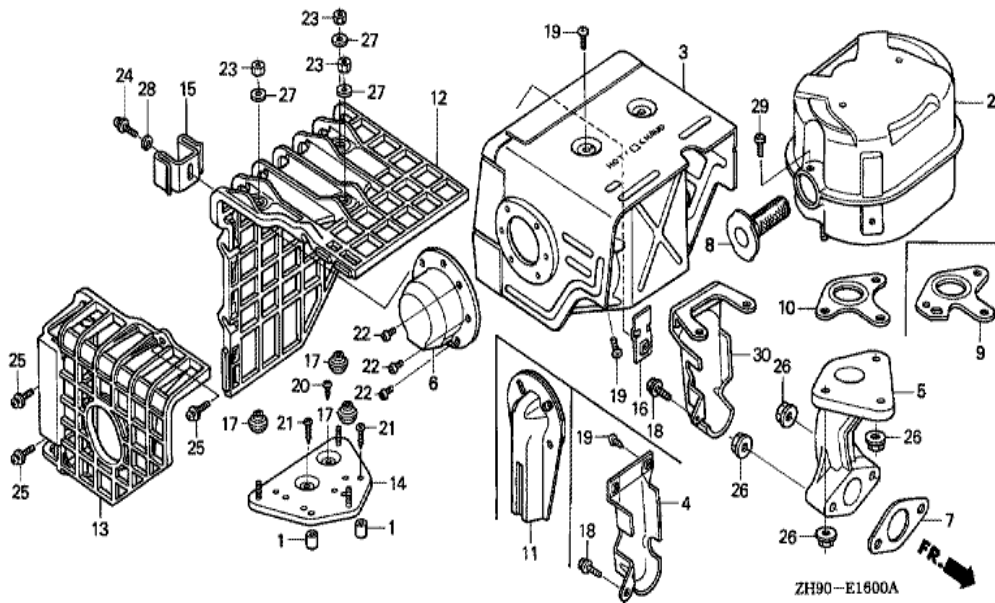
Ref	Partnumber	Description	GX270	Serial Numbers
001	16010-ZE2-015	GASKET SET	1	BE21A C
001	16010-ZE2-812	GASKET SET	1	BE75B B
002	16011-ZA0-931	VALVE SET, FLOAT	1	
003	16013-ZA0-931	FLOAT SET	1	
005	16015-ZE8-005	CHAMBER SET, FLOAT	1	
006	16016-ZA0-931	SCREW SET, PILOT	1	
006	16016-ZA0-931	SCREW SET, PILOT	1	BE21A C
008	16028-ZE0-005	SCREW SET	1	
009	16044-ZE2-005	CHOKE SET	1	
010	16100-ZH9-820	CARBURETOR ASSY. (BE21A B)	1	1173689
010	16100-ZH9-821	CARBURETOR ASSY. (BE21A C)	1	1173690 1471451
010	16100-ZH9-W21	CARBURETOR ASSY. (BE75B B/C)	1	1471452
011	16124-ZE0-005	SCREW, THROTTLE STOP	1	

<u>Ref</u>	<u>Partnumber</u>	<u>Description</u>	<u>GX270</u>	<u>Serial Numbers</u>
013	16166-ZH9-820	NOZZLE, MAIN	1	BE21A C
013	16166-ZH9-W20	NOZZLE, MAIN	1	BE75B B
014	16173-001-004	PACKING, FUEL STRAINER CUP	1	
015	16211-ZE2-000	INSULATOR, CARBURETOR	1	
016	16220-ZA0-702	SPACER COMP., CARBURETOR	1	
017	16221-ZA0-800	PACKING, CARBURETOR	1	
018	16223-ZA0-800	PACKING, INSULATOR	1	
019	16610-ZE1-000	LEVER COMP., CHOKE (STD.)	1	
020	16953-ZE1-811	LEVER, COCK	1	BE21A B
020	16953-ZE1-812	LEVER, COCK	1	BE21A C
021	16954-ZE1-812	PLATE, LEVER SETTING	1	
023	16956-ZE1-811	SPRING, COCK LEVER	1	
024	16957-ZE1-812	PACKING, FUEL COCK	1	
025	16967-ZE0-811	CUP, FUEL STRAINER	1	
026	93500-030061H	SCREW, PAN, 3X6	2	BE21A C
026	93500-030081G	SCREW, PAN, 3X8	2	BE21A B
027	94305-20122	PIN, SPRING, 2X12	1	
028	99101-ZF50820	JET, MAIN, #82	(1)	BE21A B
028	99101-ZF50850	JET, MAIN, #85	(1)	BE21A B
028	99101-ZF50850	JET, MAIN, #85	(1)	BE21A B
028	99101-ZF50880	JET, MAIN, #88	1	BE21A B
028	99101-ZH80800	JET, MAIN, #80	(1)	BE21A C BE21A C
028	99101-ZH80800	JET, MAIN, #80	(1)	BE75B B
028	99101-ZH80820	JET, MAIN, #82	(1)	BE75B B
028	99101-ZH80850	JET, MAIN, #85	1	BE75B B
028	99101-ZH80850	JET, MAIN, #85	(1)	BE21A C BE21A C
028	99101-ZH80880	JET, MAIN, #88	1	BE21A C BE21A C
029	99204-ZE00400	JET SET, PILOT, #40	1	BE21A C
029	99204-ZE00400	JET SET, PILOT, #40	1	BE21A C
029	99204-ZE20400	JET SET, PILOT, #40	1	BE75B B
030	16016-ZH7-W01	SCREW SET, PILOT	1	BE24B D
030	16016-ZH7-W01	SCREW SET, PILOT	1	BE75B B
031	16024-ZE1-811	SCREW SET, DRAIN	1	BE75B B
<u>Ref</u>	<u>Partnumber</u>	<u>Description</u>	<u>GX270</u>	<u>Serial Numbers</u>
032	16172-ZE3-W10	COLLAR, SETTING	1	BE75B B



ZF190-E1502A

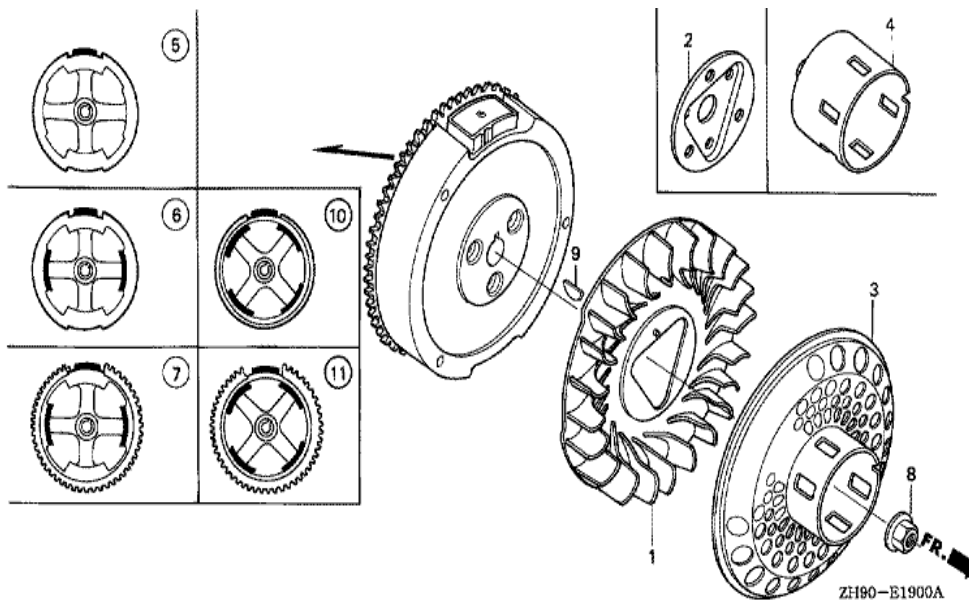
Ref	Partnumber	Description	GX270	Serial Numbers
001	16271-ZE2-000	PACKING, ELBOW	1	
002	17210-ZE2-822	ELEMENT, AIR CLEANER (DUAL)	1	
003	17218-ZE2-821	FILTER, OUTER	1	
005	17231-ZH9-820	COVER, AIR CLEANER	1	
006	17232-891-000	GROMMET, AIR CLEANER	1	
007	17238-ZE2-310	COLLAR, AIR CLEANER	2	
008	17239-ZE1-000	COLLAR B, AIR CLEANER	1	
009	17410-ZE2-020	ELBOW COMP., AIR CLEANER	1	
010	90201-415-000	NUT, CAP, 6MM	2	1053526
011	90203-PB2-000	NUT, AIR CLEANER COVER (DACRO COATING)	1	1034589
011	90203-ZA0-800	NUT, WING, 6MM (BLACK)	1	1034590 1094660
012	90325-044-000	NUT, TOOL BOX SETTING	2	1094661
013	93494-0602008	BOLT-WASHER, 6X20	1	
Ref	Partnumber	Description	GX270	Serial Numbers
014	94050-06000	NUT, FLANGE, 6MM	2	1053527



ZH90-E1600A

Ref	Partnumber	Description	GX270	Serial Numbers
002	18310-ZE2-W00	MUFFLER COMP.	1	
003	18320-ZE2-W01	PROTECTOR COMP., MUFFLER (STD.)	1	
005	18330-ZE2-W00	PIPE, EX.	1	
007	18333-ZE3-800	GASKET, EX. PIPE	1	
010	18381-ZE2-800	GASKET, MUFFLER (NIPPON LEAKLESS)	1	
019	90050-ZE1-000	SCREW, TAPPING, 5X8	4	
026	94050-08000	NUT, FLANGE, 8MM	5	
026	94050-08000	NUT, FLANGE, 8MM	5	1283257



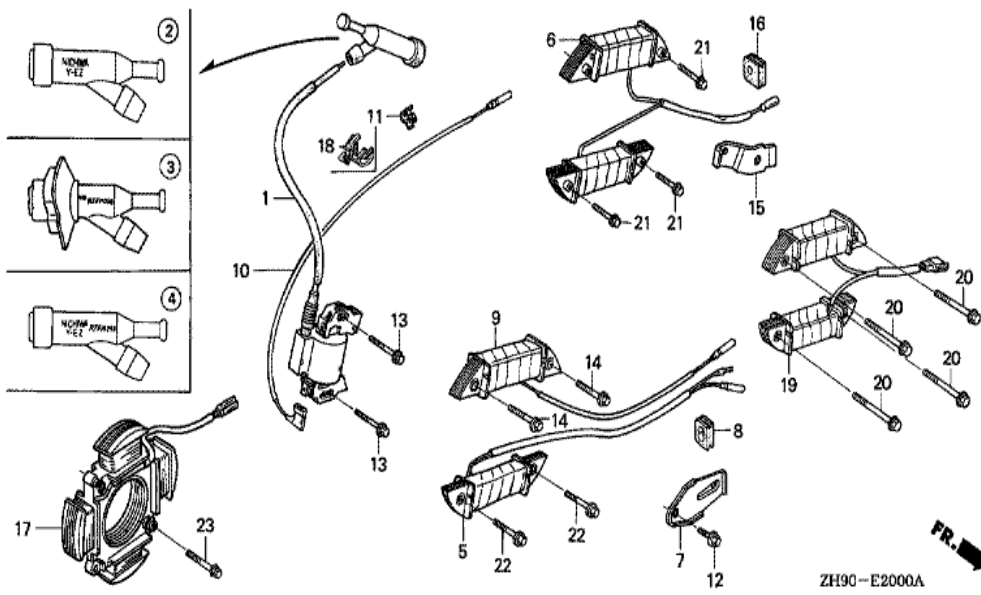


Ref	Partnumber	Description	GX270	Serial Numbers
001	19511-ZE2-000	FAN, COOLING	1	
003	28450-ZE2-W11	PULLEY COMP., STARTER (SCREEN GRID)	1	
005	31100-ZE2-010	FLYWHEEL COMP.	1	
008	90201-ZE3-790	NUT, SPECIAL, 16MM	1	
008	90201-ZE3-790	NUT, SPECIAL, 16MM	1	1180427
008	90201-ZE3-V00	NUT, SPECIAL, 16MM	1	1180428
009	90741-ZE2-000	KEY, SPECIAL WOODRUFF, 25X18	1	



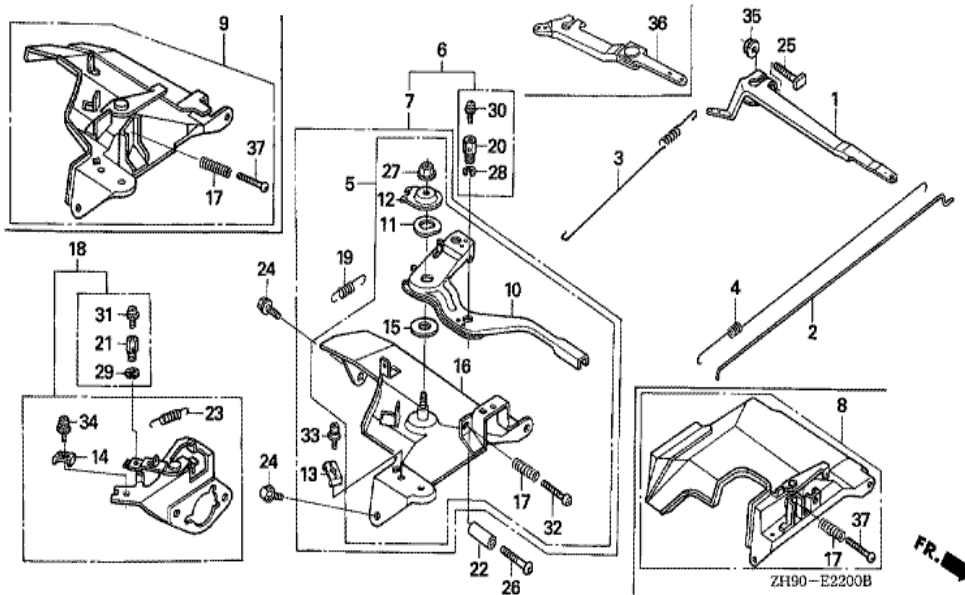


Ref	Partnumber	Description	GX270	Serial Numbers
001	12200-ZH9-000	HEAD COMP., CYLINDER	1	
002	12204-ZE2-306	GUIDE, IN. VALVE (O.S.)	(1)	
003	12205-ZE2-305	GUIDE, EX. VALVE (OS)	(1)	
004	12216-ZE2-300	CLIP, VALVE GUIDE	1	
005	12251-ZH9-000	GASKET, CYLINDER HEAD	1	
006	12310-ZE2-010	COVER COMP., HEAD	1	1046250
006	12310-ZE2-020	COVER COMP., HEAD	1	1046251
007	95005-1110030	TUBE, 11X100 (95005-11001-30M)	1	1174911
007	95005-1110530	TUBE, 11X105 (95005-11001-30M)	1	1174910
008	12391-ZE2-020	PACKING, HEAD COVER	1	
009	14775-ZE2-010	SEAT, VALVE SPRING	1	
011	90014-ZE2-000	BOLT, HEAD COVER	1	
012	90042-ZE2-000	BOLT, STUD, 8X123	2	
Ref	Partnumber	Description	GX270	Serial Numbers
013	90047-ZE2-000	BOLT, STUD, 8X47	2	1457779
013	92900-080320E	BOLT, STUD, 8X32	2	1457780
013	92900-080320E	BOLT, STUD, 8X32	2	1457780
014	90441-ZE2-010	WASHER COMP., HEAD COVER	1	
015	94301-12200	DOWEL PIN, 12X20	2	
016	95725-1008000	BOLT, FLANGE, 10X80	4	
017	98079-55846	PLUG, SPARK (BPR5ES) (NGK)	(1)	
017	98079-55855	PLUG, SPARK (W16EPR-U) (DENSO)	(1)	
017	98079-56846	PLUG, SPARK (BPR6ES) (NGK)	1	
017	98079-56855	PLUG, SPARK (W20EPR-U) (DENSO)	1	

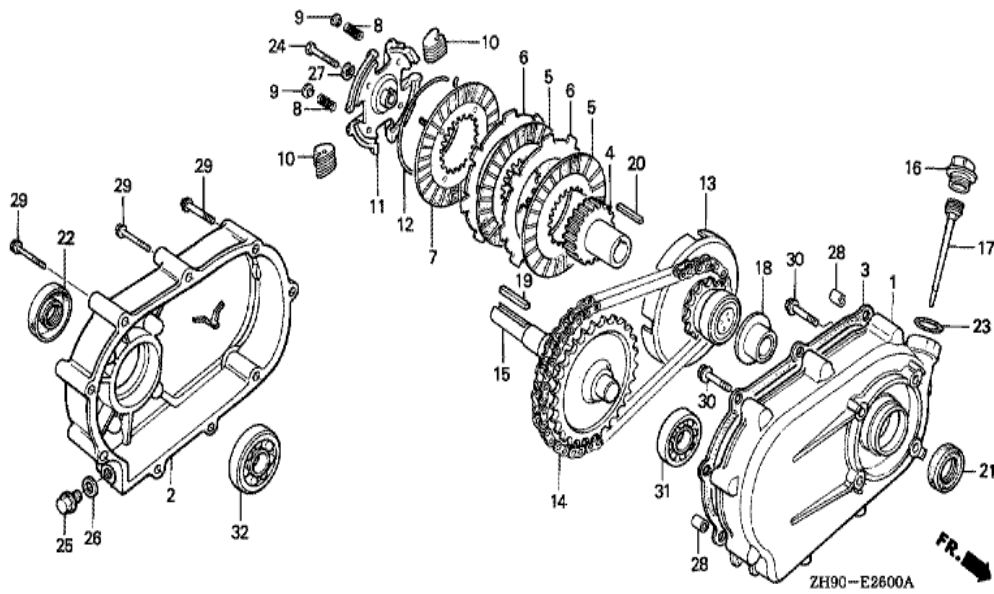


ZH90-E2000A

Ref	Partnumber	Description	GX270	Serial Numbers
001	30500-ZF6-W02	COIL ASSY., IGNITION	1	
004	30700-ZE1-013	CAP ASSY., NOISE SUPPRESSOR (NICHIIWA Y-E	1	
008	31512-ZE2-000	GROMMET, CORD	1	
010	36101-ZE1-010	CORD, STOP SWITCH (370MM)	1	
011	36103-ZE1-000	HOLDER, STOP SWITCH CORD	1	
013	90015-883-000	BOLT, FLANGE, 6X28 (CT200)	2	

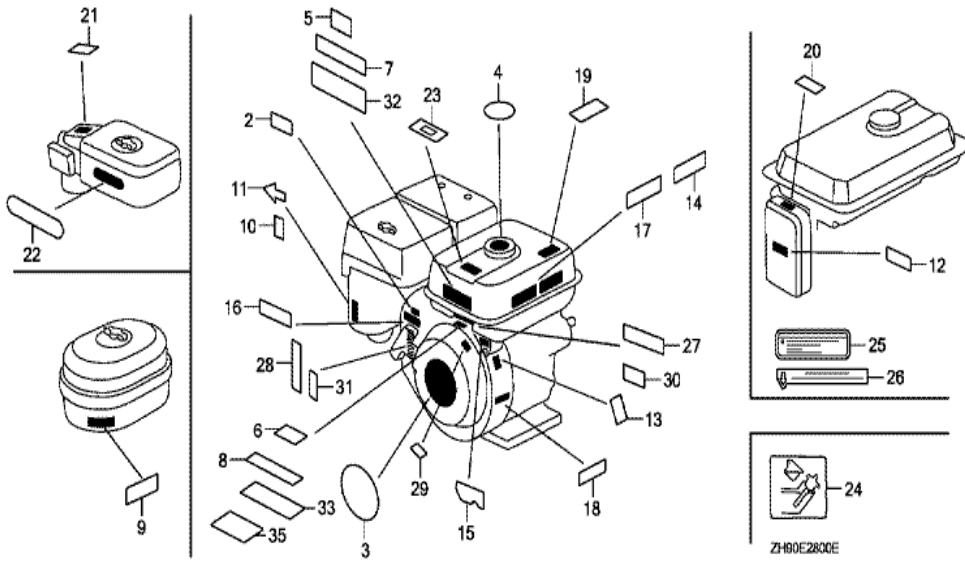


Ref	Partnumber	Description	GX270	Serial Numbers
001	16551-ZE2-000	ARM, GOVERNOR	1	
002	16555-ZE2-000	ROD, GOVERNOR	1	
003	16561-ZE2-000	SPRING, GOVERNOR (L=145.0MM) (WIRE DIAME	1	
004	16562-ZE2-000	SPRING, THROTTLE RETURN	1	
007	16570-ZE2-W20	CONTROL ASSY. (REMOTE)	1	
010	16571-ZE2-W00	LEVER, CONTROL	1	
011	16574-ZE1-000	SPRING, LEVER	1	
012	16575-ZE2-W00	WASHER, CONTROL LEVER	1	
013	16576-891-000	HOLDER, CABLE	1	
015	16578-ZE1-000	SPACER, CONTROL LEVER	1	
016	16581-ZE2-W00	BASE COMP., CONTROL (###)	1	
017	16584-883-300	SPRING, CONTROL ADJUSTING	1	
019	16592-883-310	SPRING, CABLE RETURN	1	
Ref	Partnumber	Description	GX270	Serial Numbers
022	16599-ZG1-M10	COLLAR, STOPPER	(1)	
024	90013-883-000	BOLT, FLANGE, 6X12 (CT200)	2	
025	90015-ZE5-010	BOLT, GOVERNOR ARM	1	
027	90114-SA0-000	NUT, SELF-LOCK, 6MM	1	
032	93500-050280A	SCREW, PAN, 5X28	1	
033	93500-050160A	SCREW, PAN, 5X16	1	1053527
033	93893-0501600	SCREW-WASHER, 5X16	1	1053526
035	94050-06000	NUT, FLANGE, 6MM	1	



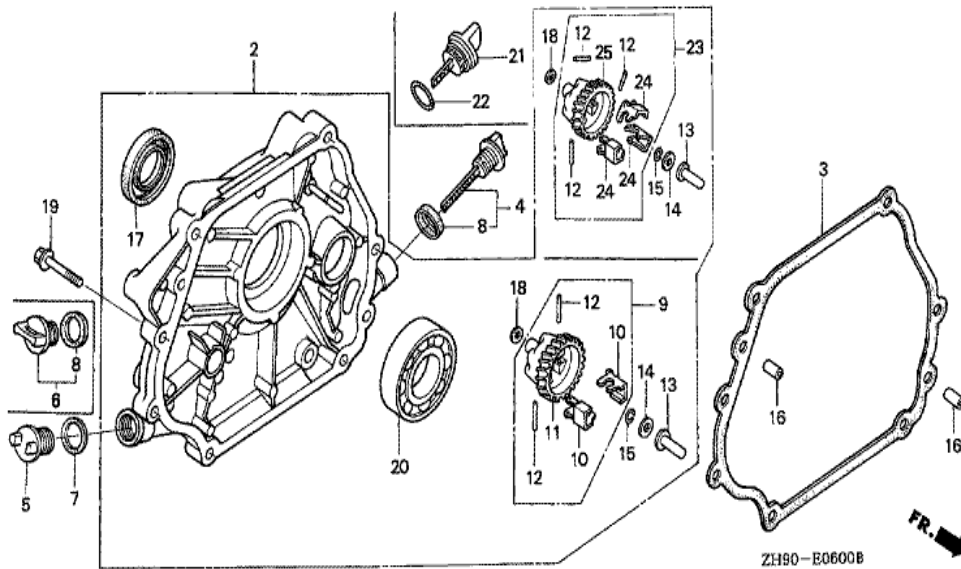
Ref	Partnumber	Description	GX270	Serial Numbers
001	21510-889-750	CASE, REDUCTION	1	
002	21610-889-750	COVER, REDUCTION	1	
003	21691-889-750	PACKING, REDUCTION COVER	1	
004	22121-889-750	CENTER, CLUTCH (28T)	1	
005	22201-822-610	DISK, CLUTCH FRICTION	2	
006	22311-822-610	PLATE, CLUTCH	2	
007	22350-822-610	PLATE COMP., CLUTCH PRESSURE	1	
008	22411-822-611	SPRING, CLUTCH FREE	4	
009	22421-822-610	HOLDER, CLUTCH SPRING	4	
010	22521-822-610	WEIGHT, CLUTCH	48	
011	22531-889-750	HOLDER, CLUTCH WEIGHT	1	
012	22535-822-610	CENTER, CLUTCH WEIGHT	1	
013	23120-889-750	SPROCKET COMP., DRIVE (14T)	1	

<u>Ref</u>	<u>Partnumber</u>	<u>Description</u>	<u>GX270</u>	<u>Serial Numbers</u>
014	23161-822-610	CHAIN, DRIVE	1	1034459
014	23161-822-611	CHAIN, DRIVE (RK428SH-36LE)	1	1034460
015	23711-822-610	SHAFT COMP., P.T.O. (28T)	1	
016	25620-823-000	CAP, REDUCTION OIL (YELLOW)	1	
017	25651-889-750	GAUGE, OIL LEVEL	1	
018	90403-889-000	WASHER, THRUST, 25MM	1	
019	90741-805-000	KEY, 7X7X33	1	
019	90741-889-810	KEY, 7X7X33 (YELLOW) (O.S.)	(1)	
020	90741-889-000	KEY, CLUTCH CENTER	1	
021	91201-890-003	OIL SEAL, 30X46X8	1	
022	91202-805-610	OIL SEAL (PJ30507)	1	
023	91301-805-000	O-RING, 26X2.7	1	
024	92100-080350H	BOLT, HEX., 8X35	1	
025	92800-12000	BOLT, DRAIN PLUG, 12MM	1	
026	94109-12000	WASHER, DRAIN PLUG, 12MM	1	
027	94111-08800	WASHER, SPRING, 8MM	1	
028	94301-08140	DOWEL PIN, 8X14	2	
029	95700-0605008	BOLT, FLANGE, 6X50	9	
030	95700-0803208	BOLT, FLANGE, 8X32	4	
031	96100-6205000	BEARING, RADIAL BALL, 6205	1	
032	96100-6206000	BEARING, RADIAL BALL, 6206	1	



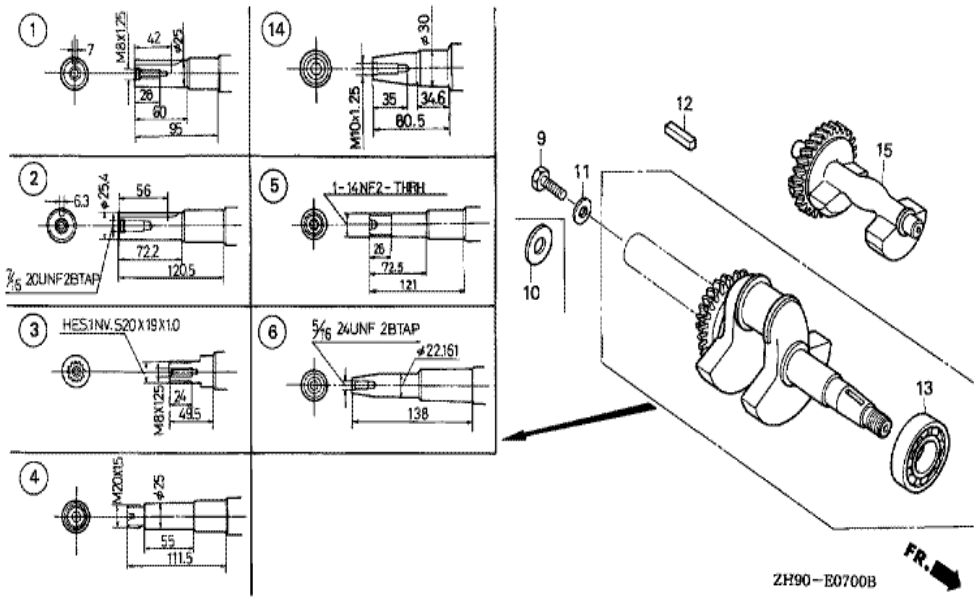
Ref	Partnumber	Description	GX270	Serial Numbers
003	87521-ZH9-010	EMBLEM	1	1033680
003	87521-ZH9-810	EMBLEM (EXTERNAL)	1	1033679
004	87522-ZE1-810	MARK, CAUTION	1	1090815
007	87522-ZH9-000	LABEL, CAUTION (ENGLISH, ETC.)	1	
010	87528-ZE2-810	MARK, CHOKE (ORANGE)	1	
013	87530-ZH9-810	LABEL, SPECIFICATION (EXTERNAL)	1	1053286



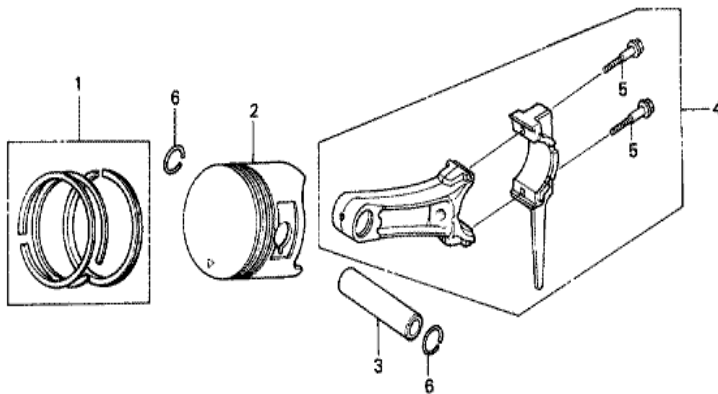


Ref	Partnumber	Description	GX270	Serial Numbers
002	11300-ZE2-000	COVER ASSY., CRANKCASE	1	
003	11381-ZE2-801	PACKING, CASE COVER	1	
004	15600-735-003	CAP ASSY., OIL FILLER	1	1071799
004	15600-735-700	CAP ASSY., OIL FILLER	1	1071798
005	15620-ZG4-910	CAP, OIL FILLER	1	1071798
006	15600-ZG4-003	CAP ASSY., OIL FILLER	1	1071799
007	15621-896-010	PACKING, OIL FILLER CAP	1	1071798
008	15625-ZE1-000	PACKING, OIL FILLER CAP	1	1071798
008	15625-ZE1-003	PACKING, OIL FILLER CAP	2	1071799
009	16510-ZE2-000	GOVERNOR ASSY.	1	
010	16511-ZE2-000	WEIGHT, GOVERNOR	2	
011	16512-ZE2-000	HOLDER, GOVERNOR WEIGHT	1	
012	16513-ZE2-000	PIN, GOVERNOR WEIGHT	2	
Ref	Partnumber	Description	GX270	Serial Numbers
013	16531-Z0A-000	SLIDER, GOVERNOR	1	
014	90473-147-000	WASHER, 6X16	1	
014	90473-147-000	WASHER, 6X16	1	1064745
015	90602-ZE1-000	CLIP, GOVERNOR HOLDER	1	
016	90701-HC4-000	DOWEL PIN, 8X12	2	
017	91201-890-003	OIL SEAL, 30X46X8	1	
018	94101-06800	WASHER, PLAIN, 6MM	1	
019	95900-0803500	BOLT, FLANGE, 8X35	7	
020	96100-6206000	BEARING, RADIAL BALL, 6206	1	





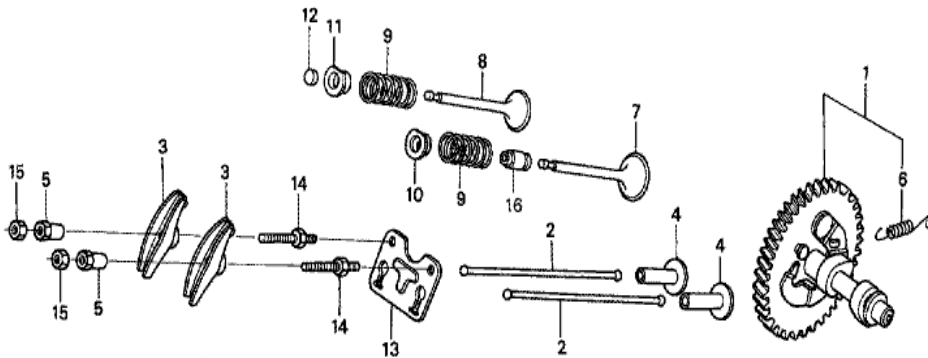
Ref	Partnumber	Description	GX270	Serial Numbers
001	13310-ZH9-000	CRANKSHAFT COMP.	1	
013	91001-ZH9-003	BEARING, RADIAL BALL (6206 SH)	1	



ZH90-E0800A



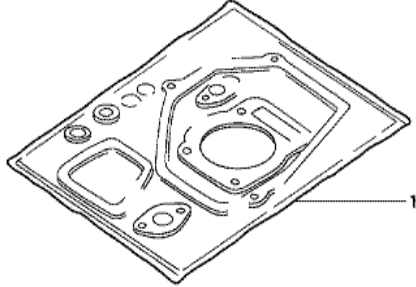
<u>Ref</u>	<u>Partnumber</u>	<u>Description</u>	<u>GX270</u>	<u>Serial Numbers</u>
001	13010-ZE8-601	RING SET, PISTON (STD.) (NIPPON)	1	
001	13010-ZE8-602	RING SET, PISTON (STD.) (TEIKOKU)	1	
001	13011-ZE8-601	RING SET, PISTON (0.25) (NIPPON)	(1)	
001	13011-ZE8-602	RING SET, PISTON (0.25) (TEIKOKU)	(1)	
001	13012-ZE8-601	RING SET, PISTON (0.50) (NIPPON)	(1)	
001	13012-ZE8-602	RING SET, PISTON (0.50) (TEIKOKU)	(1)	
001	13013-ZE8-601	RING SET, PISTON (0.75) (NIPPON)	(1)	
001	13013-ZE8-602	RING SET, PISTON (0.75) (TEIKOKU)	(1)	
002	13101-ZH9-000	PISTON (STD.)	1	
002	13102-ZH9-000	PISTON (0.25)	(1)	
002	13103-ZH9-000	PISTON (0.50)	(1)	
002	13104-ZH9-000	PISTON (0.75)	(1)	
003	13111-ZE2-000	PIN, PISTON	1	
<u>Ref</u>	<u>Partnumber</u>	<u>Description</u>	<u>GX270</u>	<u>Serial Numbers</u>
004	13200-ZE2-010	ROD ASSY., CONNECTING (STD.)	1	
004	13200-ZE2-305	ROD ASSY., CONNECTING (0.25 UNDER SIZE)	(1)	
005	90001-ZE8-000	BOLT, CONNECTING ROD	2	
006	90551-ZE1-000	CLIP, PISTON PIN, 18MM	2	



ZH90-E0900A



<u>Ref</u>	<u>Partnumber</u>	<u>Description</u>	<u>GX270</u>	<u>Serial Numbers</u>
001	14100-ZE3-020	CAMSHAFT ASSY.	1	1471452
001	14100-ZH9-000	CAMSHAFT ASSY.	1	1268284
001	14100-ZH9-010	CAMSHAFT ASSY.	1	1268285 1471451
002	14410-ZE2-013	ROD, PUSH	2	
003	14431-ZE2-010	ARM, VALVE ROCKER	2	
004	14441-ZE2-000	LIFTER, VALVE	2	
005	14451-ZE1-013	PIVOT, ROCKER ARM	2	
006	14568-ZE1-000	SPRING, WEIGHT RETURN	1	
007	14711-ZE2-000	VALVE, IN.	1	
008	14721-ZE2-000	VALVE, EX.	1	
009	14751-ZE2-003	SPRING, VALVE	2	
010	14771-ZE2-000	RETAINER, IN. VALVE SPRING	1	
011	14773-ZE2-000	RETAINER, EX. VALVE SPRING	1	
<u>Ref</u>	<u>Partnumber</u>	<u>Description</u>	<u>GX270</u>	<u>Serial Numbers</u>
012	14781-ZE2-000	ROTATOR, VALVE	1	
013	14791-ZE2-010	GUIDE, PUSH ROD	1	
014	90012-ZE0-010	BOLT, PIVOT, 8MM	2	
015	90206-ZE1-000	NUT, PIVOT ADJUSTING	2	



HENG-X0003

<u>Ref</u>	<u>Partnumber</u>	<u>Description</u>	<u>GX270</u>	<u>Serial Numbers</u>
001	061A1-ZH9-000	GASKET KIT	1	1046250
001	061A1-ZH9-050	GASKET KIT	1	1046251