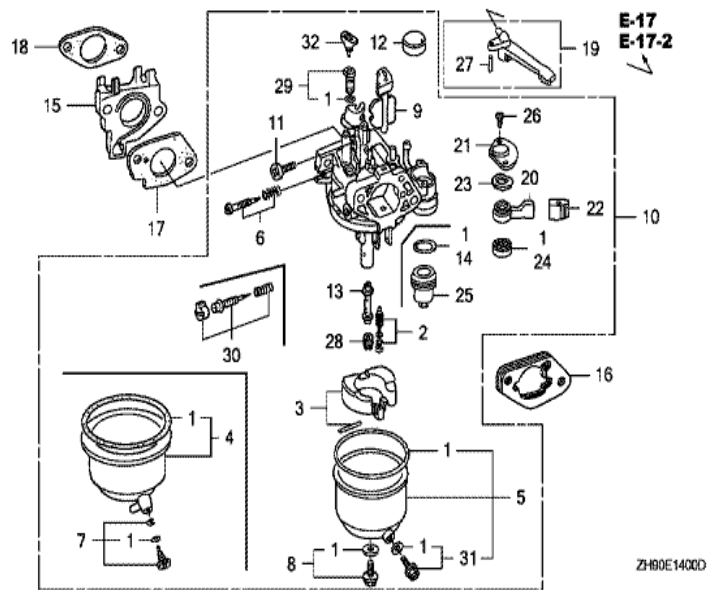
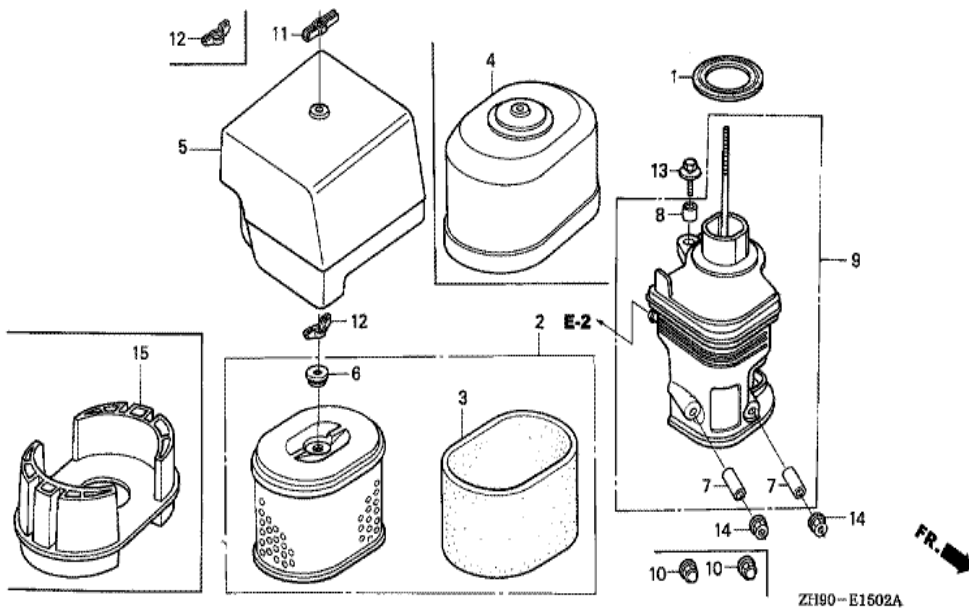


| Ref | Partnumber      | Description                        | GX270 | Serial Numbers |
|-----|-----------------|------------------------------------|-------|----------------|
| 003 | 16731-ZE2-003   | CLIP, TUBE                         | 1     |                |
| 005 | 19610-ZE2-010ZA | COVER COMP., FAN *R8 *             | 1     | 2080023        |
| 005 | 19610-ZE2-010ZL | COVER COMP., FAN *R280 *           | 1     | 2080024        |
| 006 | 19620-ZE2-000ZD | PROTECTOR COMP., FAN COVER *R280 * | 1     |                |
| 007 | 19631-ZE2-D00   | SHROUD                             | 1     |                |
| 016 | 81329-567-020   | GROMMET, DRAIN HOLE                | 1     |                |
| 018 | 90013-883-000   | BOLT, FLANGE, 6X12 (CT200)         | 1     |                |
| 028 | 90008-ZE2-003   | BOLT, FLANGE, 6X10                 | 3     |                |

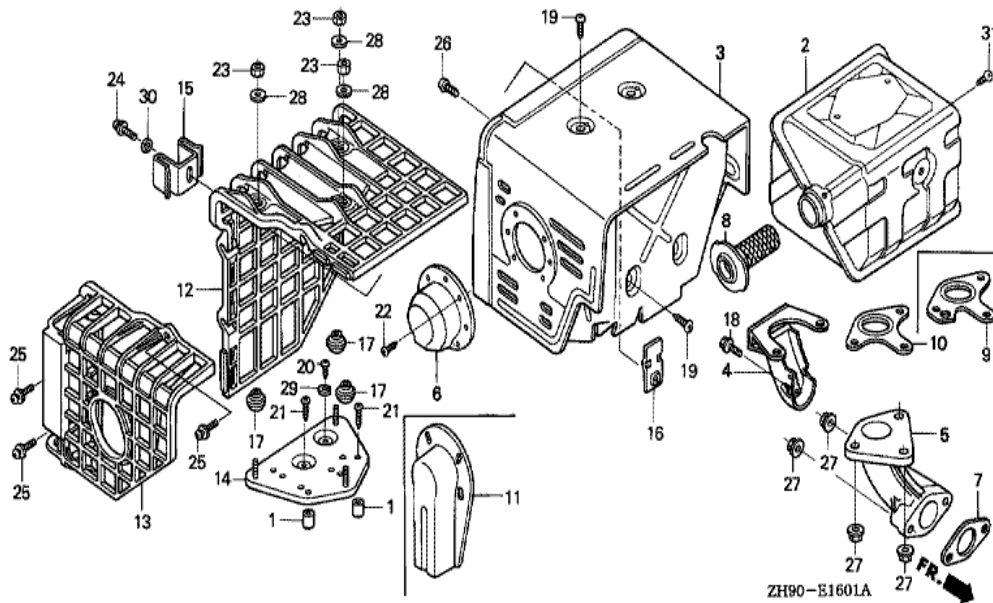


| Ref        | Partnumber        | Description                  | GX270        | Serial Numbers        |
|------------|-------------------|------------------------------|--------------|-----------------------|
| 001        | 16010-ZE2-015     | GASKET SET                   | 1            |                       |
| 001        | 16010-ZE2-812     | GASKET SET                   | 1            | BE21A D               |
| 002        | 16011-ZA0-931     | VALVE SET, FLOAT             | 1            |                       |
| 003        | 16013-ZA0-931     | FLOAT SET                    | 1            |                       |
| 005        | 16015-ZE8-005     | CHAMBER SET, FLOAT           | 1            |                       |
| 006        | 16016-ZA0-931     | SCREW SET, PILOT             | 1            |                       |
| 008        | 16028-ZE0-005     | SCREW SET                    | 1            |                       |
| 009        | 16044-ZE2-005     | CHOKE SET                    | 1            |                       |
| 010        | 16100-ZH9-821     | CARBURETOR ASSY. (BE21A C)   | 1            | 2295156               |
| 010        | 16100-ZH9-822     | CARBURETOR ASSY. (BE21A D/E) | 1            | 2295157               |
| 011        | 16124-ZE0-005     | SCREW, THROTTLE STOP         | 1            |                       |
| 013        | 16166-ZH9-820     | NOZZLE, MAIN                 | 1            |                       |
| 014        | 16173-001-004     | PACKING, FUEL STRAINER CUP   | 1            |                       |
| <u>Ref</u> | <u>Partnumber</u> | <u>Description</u>           | <u>GX270</u> | <u>Serial Numbers</u> |
| 015        | 16211-ZE2-000     | INSULATOR, CARBURETOR        | 1            |                       |
| 017        | 16221-ZA0-800     | PACKING, CARBURETOR          | 1            |                       |
| 018        | 16223-ZA0-800     | PACKING, INSULATOR           | 1            |                       |
| 020        | 16953-ZE1-812     | LEVER, COCK                  | 1            |                       |
| 021        | 16954-ZE1-812     | PLATE, LEVER SETTING         | 1            |                       |
| 023        | 16956-ZE1-811     | SPRING, COCK LEVER           | 1            |                       |
| 024        | 16957-ZE1-812     | PACKING, FUEL COCK           | 1            |                       |
| 025        | 16967-ZE0-811     | CUP, FUEL STRAINER           | 1            |                       |
| 026        | 93500-030061H     | SCREW, PAN, 3X6              | 2            |                       |
| 028        | 99101-ZH80820     | JET, MAIN, #82               | (1)          |                       |
| 028        | 99101-ZH80850     | JET, MAIN, #85               | (1)          |                       |
| 028        | 99101-ZH80880     | JET, MAIN, #88               | 1            |                       |
| 029        | 99204-ZE00400     | JET SET, PILOT, #40          | 1            | BE21A C               |
| 029        | 99204-ZE00400     | JET SET, PILOT, #40          | 1            | BE21A C               |
| 029        | 99204-ZE20400     | JET SET, PILOT, #40          | 1            | BE21A D               |
| 030        | 16016-ZH8-W01     | SCREW SET                    | 1            | BE21A D               |

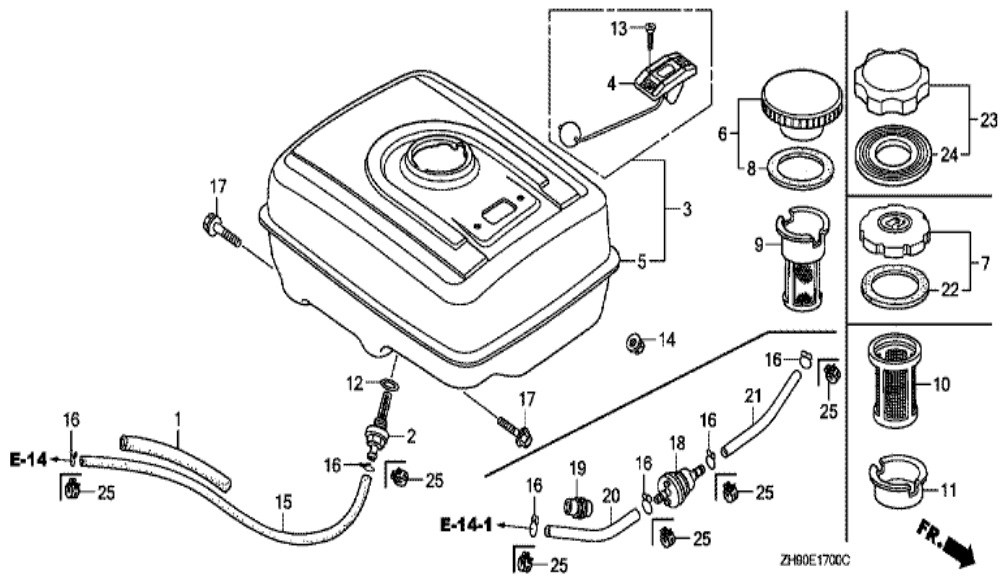


ZH90-E1502A

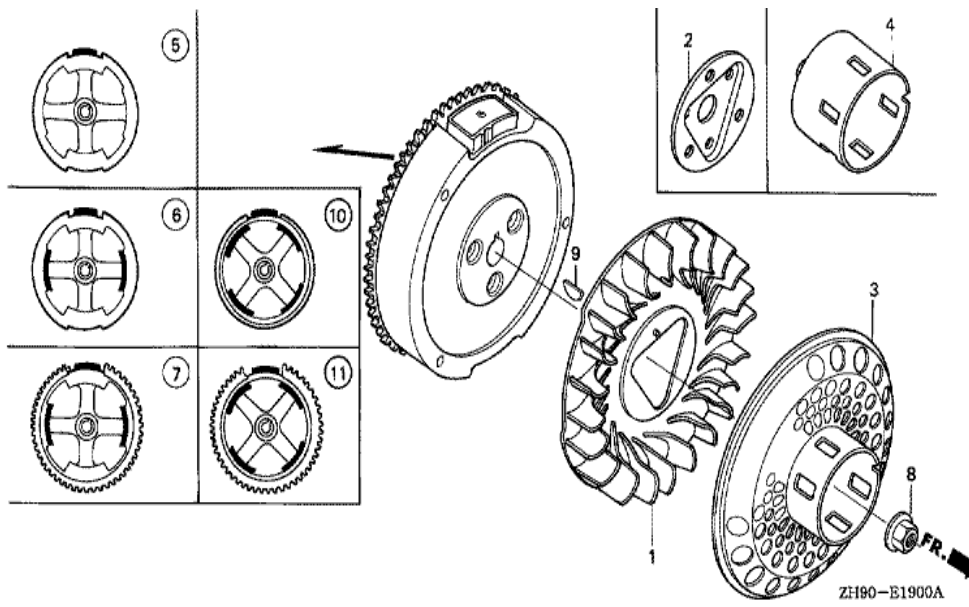
| Ref | Partnumber    | Description                 | GX270 | Serial Numbers |
|-----|---------------|-----------------------------|-------|----------------|
| 001 | 16271-ZE2-010 | PACKING, ELBOW              | 1     |                |
| 002 | 17210-ZE2-822 | ELEMENT, AIR CLEANER (DUAL) | 1     |                |
| 003 | 17218-ZE2-821 | FILTER, OUTER               | 1     |                |
| 006 | 17232-891-000 | GROMMET, AIR CLEANER        | 1     |                |
| 007 | 17238-ZE2-310 | COLLAR, AIR CLEANER         | 2     |                |
| 008 | 17239-ZE1-000 | COLLAR B, AIR CLEANER       | 1     |                |
| 009 | 17410-ZE2-020 | ELBOW COMP., AIR CLEANER    | 1     |                |
| 012 | 90325-044-000 | NUT, TOOL BOX SETTING       | 1     |                |
| 012 | 90325-044-000 | NUT, TOOL BOX SETTING       | 1     | 1094660        |
| 013 | 90009-ZE2-003 | BOLT-WASHER, 6X22           | 1     |                |
| 014 | 94050-06000   | NUT, FLANGE, 6MM            | 2     |                |
| 015 | 17235-ZE2-820 | NOSE, SILENCER              | 1     |                |



| Ref | Partnumber    | Description                       | GX270 | Serial Numbers |
|-----|---------------|-----------------------------------|-------|----------------|
| 001 | 17233-896-701 | COLLAR, AIR CLEANER CASE          | (2)   |                |
| 002 | 18310-ZE2-W61 | MUFFLER COMP. (100DB)             | 1     |                |
| 007 | 18333-ZK6-Y00 | GASKET, EX. PIPE                  | 1     |                |
| 010 | 18381-ZE2-800 | GASKET, MUFFLER (NIPPON LEAKLESS) | 1     |                |
| 012 | 18433-ZF6-W40 | COVER COMP., MUFFLER              | (1)   |                |
| 013 | 18434-ZF6-W40 | COVER COMP., RR. MUFFLER          | (1)   |                |
| 014 | 18436-ZH8-W40 | BASE COMP., MUFFLER COVER         | (1)   |                |
| 015 | 18437-ZF6-W40 | STAY, MUFFLER COVER               | (1)   |                |
| 016 | 18438-ZF6-W40 | PLATE, SET                        | (1)   |                |
| 017 | 18466-ZH8-W40 | SPACER, MUFFLER COVER             | (3)   |                |
| 020 | 90050-ZE1-000 | SCREW, TAPPING, 5X8               | (1)   |                |
| 021 | 90050-ZH8-W40 | SCREW, TAPPING, 5X25              | (2)   |                |
| 023 | 90302-KF9-900 | NUT, HEX., 5MM                    | (3)   |                |
| Ref | Partnumber    | Description                       | GX270 | Serial Numbers |
| 024 | 93891-0501200 | SCREW-WASHER, 5X12                | (1)   |                |
| 025 | 93891-0602007 | SCREW-WASHER, 6X20                | (3)   |                |
| 027 | 94050-08000   | NUT, FLANGE, 8MM                  | 5     |                |
| 028 | 94103-05700   | WASHER, PLAIN, 5MM                | (3)   |                |
| 029 | 94111-05000   | WASHER, SPRING, 5MM               | (1)   |                |

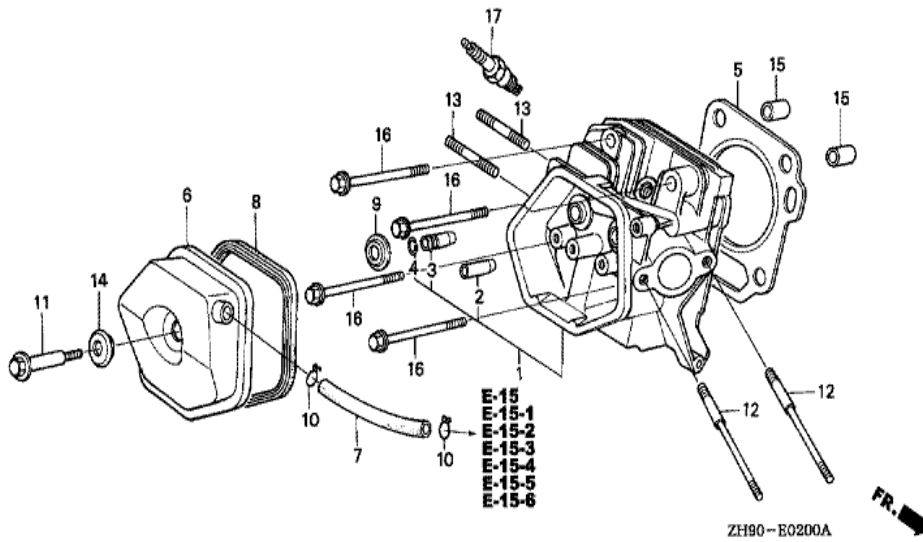


| Ref | Partnumber      | Description                               | GX270 | Serial Numbers  |
|-----|-----------------|---|-------|-----------------|
| 001 | 16854-ZH8-000   | RUBBER, SUPPORTER (107MM)                 | 1     |                 |
| 002 | 16955-ZE1-000   | JOINT, FUEL TANK                          | 1     |                 |
| 003 | 17500-ZE2-811ZA | TANK ASSY., FUEL (GAUGE) *NH31 *          | 1     | 2205487         |
| 003 | 17500-ZE2-812ZA | TANK ASSY., FUEL (GAUGE) *NH31 *          | 1     | 2205488 2399494 |
| 003 | 17500-ZE2-813ZA | TANK ASSY., FUEL (GAUGE) *NH31 *          | 1     | 2399495         |
| 004 | 17505-ZE2-013   | GAUGE ASSY., FUEL                         | 1     |                 |
| 007 | 17620-ZH7-023   | CAP COMP., FUEL FILLER (BLACK)            | 1     | 2118570         |
| 009 | 17672-ZE2-W01   | FILTER, FUEL                              | 1     |                 |
| 012 | 91353-671-004   | O-RING, 14MM (NOK)                        | 1     |                 |
| 013 | 93600-050100A   | SCREW, FLAT, 5X10                         | 2     |                 |
| 014 | 94050-08000     | NUT, FLANGE, 8MM                          | 2     |                 |
| 015 | 95001-4522240   | TUBE, FUEL, 4.5X222 (95001-45001-60M)     | 1     |                 |
| 016 | 95002-02080     | CLIP, TUBE (B8)                           | 2     |                 |
| Ref | Partnumber      | Description                               | GX270 | Serial Numbers  |
| 017 | 95701-0802500   | BOLT, FLANGE, 8X25                        | 2     |                 |
| 022 | 17631-ZH7-003   | PACKING, FUEL FILLER CAP (39X58X3)        | 1     | 2118570         |
| 023 | 17620-Z0T-305   | CAP COMP., FUEL FILLER (CHROME PLATED)    | 1     | 2118571         |
| 024 | 17631-Z0T-812   | PACKING, FUEL FILLER CAP (39X62X3) (TOUY) | 1     | 2118571         |

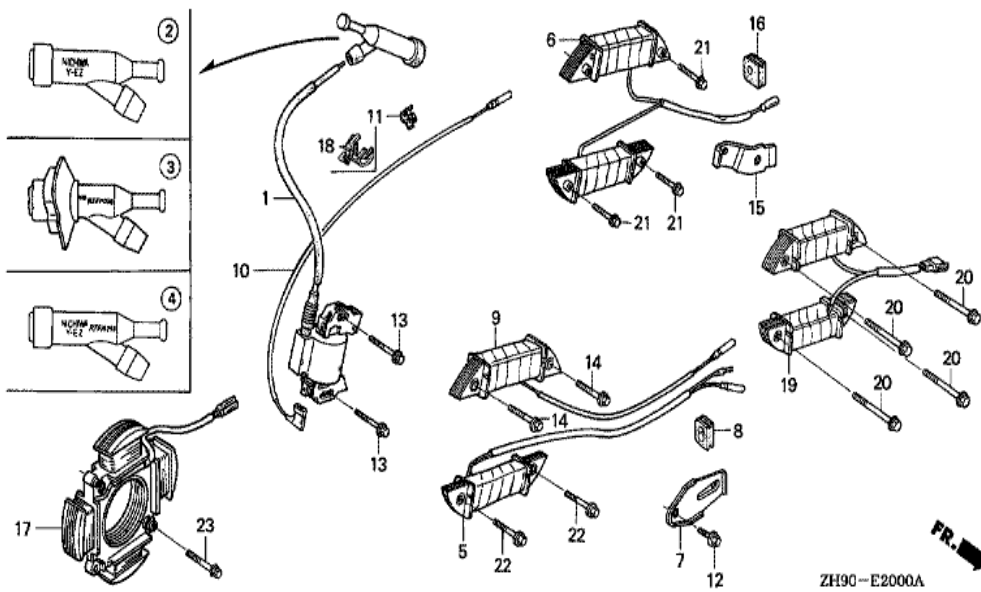


ZH90-E1900A

| Ref | Partnumber    | Description                  | GX270 | Serial Numbers |
|-----|---------------|------------------------------|-------|----------------|
| 001 | 19511-ZE2-000 | FAN, COOLING                 | 1     |                |
| 002 | 19512-ZE2-000 | PLATE, COOLING FAN SETTING   | 1     |                |
| 008 | 90201-ZE3-V00 | NUT, SPECIAL, 16MM           | 1     |                |
| 009 | 90741-ZE2-000 | KEY, SPECIAL WOODRUFF, 25X18 | 1     |                |
| 011 | 31100-ZE2-832 | FLYWHEEL COMP. (4POLE)       | 1     |                |

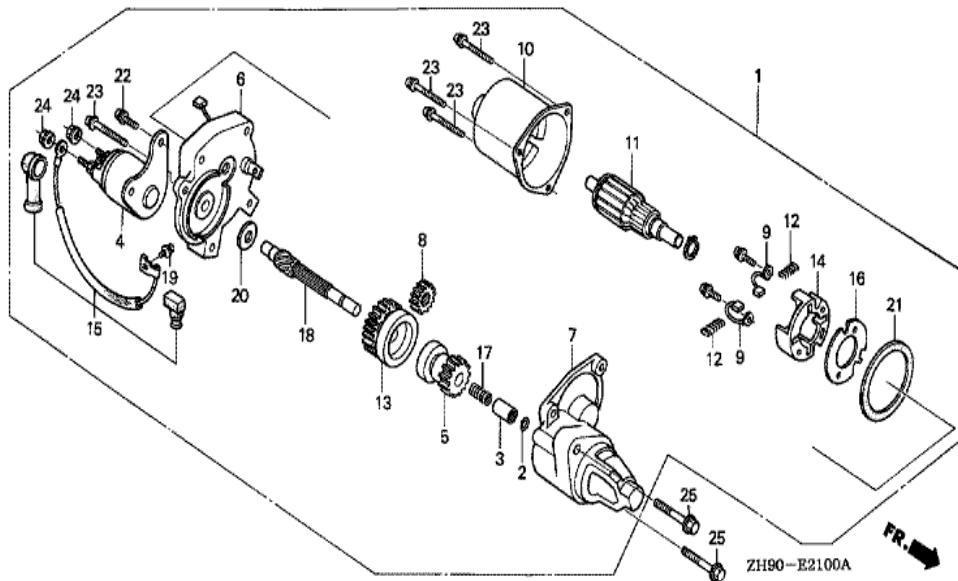


| Ref | Partnumber    | Description                    | GX270 | Serial Numbers |
|-----|---------------|--------------------------------|-------|----------------|
| 001 | 12200-ZH9-405 | HEAD COMP., CYLINDER           | 1     |                |
| 002 | 12204-ZE2-306 | GUIDE, IN. VALVE (O.S.)        | (1)   |                |
| 003 | 12205-ZE2-305 | GUIDE, EX. VALVE (OS)          | (1)   |                |
| 004 | 12216-ZE2-300 | CLIP, VALVE GUIDE              | 1     |                |
| 005 | 12251-ZH9-000 | GASKET, CYLINDER HEAD          | 1     |                |
| 006 | 12310-ZE2-020 | COVER COMP., HEAD              | 1     |                |
| 007 | 95005-1110030 | TUBE, 11X100 (95005-11001-30M) | 1     |                |
| 008 | 12391-ZE2-020 | PACKING, HEAD COVER            | 1     |                |
| 009 | 14775-ZE2-010 | SEAT, VALVE SPRING             | 1     |                |
| 011 | 90014-ZE2-000 | BOLT, HEAD COVER               | 1     |                |
| 012 | 90042-ZE2-000 | BOLT, STUD, 8X123              | 2     |                |
| 013 | 92900-080320E | BOLT, STUD, 8X32               | 2     |                |
| 014 | 90441-ZE2-010 | WASHER COMP., HEAD COVER       | 1     |                |
| Ref | Partnumber    | Description                    | GX270 | Serial Numbers |
| 015 | 94301-12200   | DOWEL PIN, 12X20               | 2     |                |
| 016 | 95725-1008000 | BOLT, FLANGE, 10X80            | 4     |                |
| 017 | 98079-56846   | PLUG, SPARK (BPR6ES) (NGK)     | 1     |                |

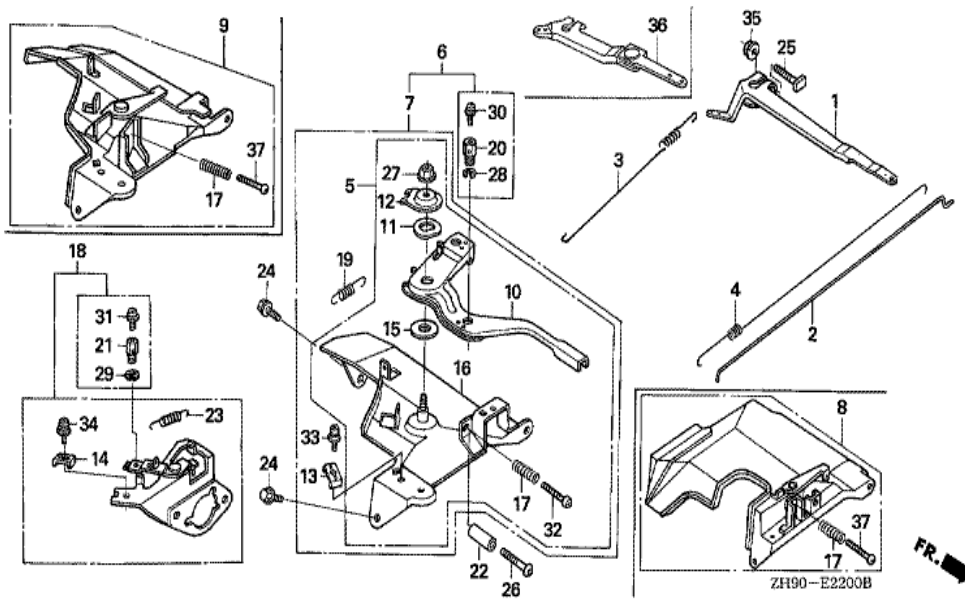


| Ref | Partnumber    | Description                               | GX270 | Serial Numbers |
|-----|---------------|---|-------|----------------|
| 001 | 30500-ZF6-W02 | COIL ASSY., IGNITION                      | 1     |                |
| 004 | 30700-ZE1-013 | CAP ASSY., NOISE SUPPRESSOR (NICHIIWA Y-E | 1     |                |
| 007 | 31511-ZE2-000 | CLAMPER, CORD                             | 1     |                |
| 008 | 31512-ZE2-000 | GROMMET, CORD                             | 1     |                |
| 010 | 36101-ZE1-010 | CORD, STOP SWITCH (370MM)                 | 1     |                |
| 012 | 90013-883-000 | BOLT, FLANGE, 6X12 (CT200)                | 1     |                |
| 013 | 90015-883-000 | BOLT, FLANGE, 6X28 (CT200)                | 2     |                |
| 019 | 31630-ZE2-861 | COIL ASSY., CHARGE (10A)                  | 1     |                |
| 020 | 90017-883-000 | BOLT, FLANGE, 6X32 (CT200)                | 4     |                |



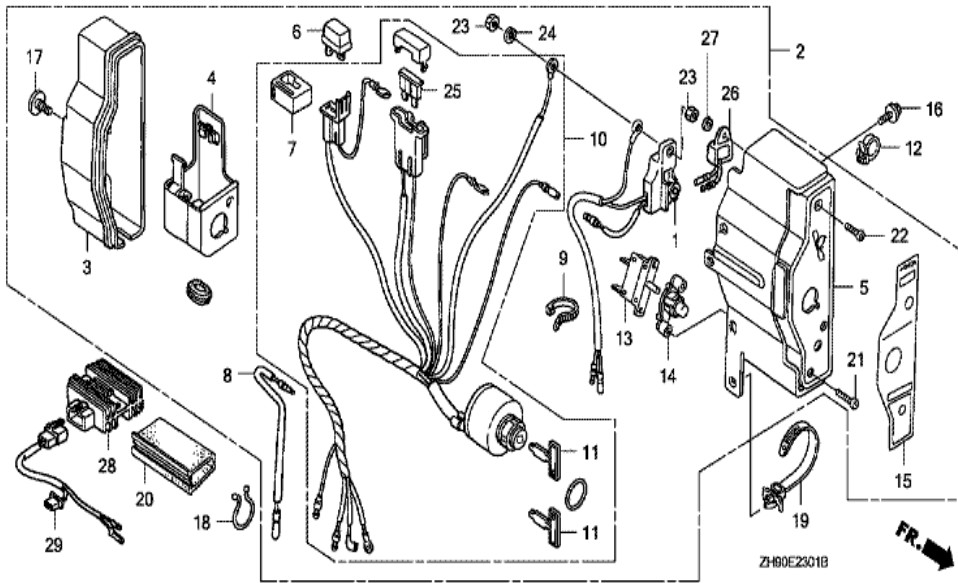


| <u>Ref</u> | <u>Partnumber</u> | <u>Description</u>        | <u>GX270</u> | <u>Serial Numbers</u> |
|------------|-------------------|---------------------------|--------------|-----------------------|
| 001        | 31200-ZH9-003     | MOTOR ASSY., STARTER      | 1            |                       |
| 002        | 31201-ZA1-003     | RING, SNAP                | 1            |                       |
| 003        | 31202-ZA1-003     | COLLAR, CLUTCH STOP       | 1            |                       |
| 004        | 31204-ZA0-003     | CONTACTOR ASSY.           | 1            |                       |
| 005        | 31207-ZH9-003     | CLUTCH COMP., OVERRUNNING | 1            |                       |
| 006        | 31211-ZE2-003     | BRACKET, CENTER           | 1            |                       |
| 007        | 31212-ZE2-003     | BRACKET, FR.              | 1            |                       |
| 008        | 31213-ZE2-003     | GEAR, DRIVE PINION        | 1            |                       |
| 009        | 31215-ZE2-003     | BRUSH                     | 2            |                       |
| 010        | 31216-ZE2-003     | YOKE COMP.                | 1            |                       |
| 011        | 31217-ZE2-003     | ARMATURE COMP.            | 1            |                       |
| 012        | 31219-ZE2-003     | SPRING, BRUSH RETURN      | 4            |                       |
| 013        | 31222-ZE3-791     | GEAR, REDUCTION           | 1            |                       |
| <u>Ref</u> | <u>Partnumber</u> | <u>Description</u>        | <u>GX270</u> | <u>Serial Numbers</u> |
| 014        | 31231-ZE2-003     | HOLDER, BRUSH             | 1            |                       |
| 015        | 31232-ZE3-003     | WIRE, WATER COVER         | 1            |                       |
| 016        | 31233-ZE2-003     | INSULATOR                 | 1            |                       |
| 017        | 31244-ZH9-003     | SPRING                    | 1            |                       |
| 018        | 31245-ZH9-003     | SHAFT                     | 1            |                       |
| 019        | 90110-ZE2-003     | SCREW-WASHER, 4X6         | 1            |                       |
| 020        | 90403-ZH9-003     | WASHER, SK                | 1            |                       |
| 021        | 91601-ZE2-003     | PACKING                   | 1            |                       |
| 022        | 90007-ZE2-003     | BOLT-WASHER, 5X14         | 2            |                       |
| 023        | 93892-0503218     | SCREW-WASHER, 5X32        | 4            |                       |
| 024        | 94070-06080       | NUT-WASHER, 6MM           | 2            |                       |
| 025        | 95701-0804000     | BOLT, FLANGE, 8X40        | 2            |                       |

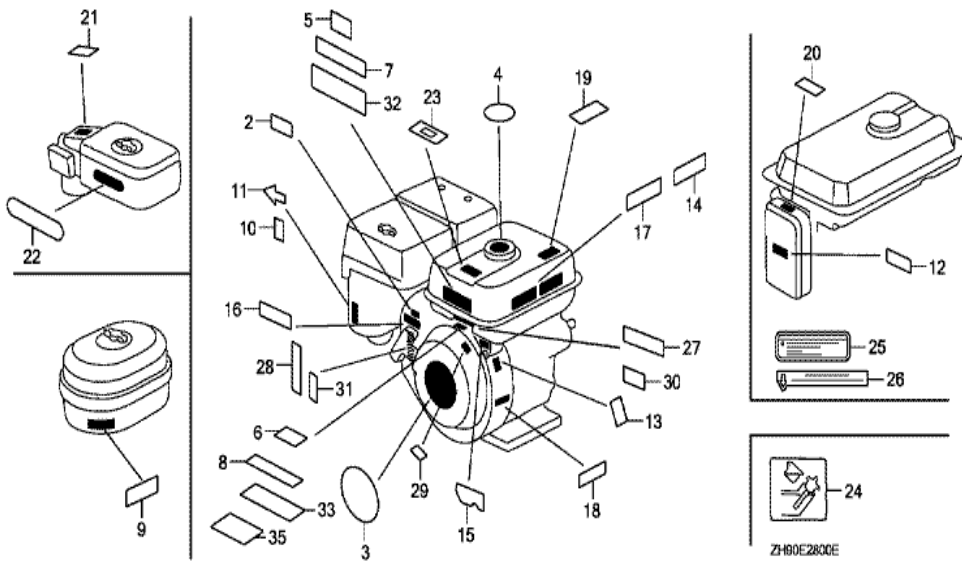


| Ref | Partnumber    | Description                              | GX270 | Serial Numbers |
|-----|---------------|--|-------|----------------|
| 001 | 16551-ZE2-000 | ARM, GOVERNOR                            | 1     |                |
| 002 | 16555-ZE2-000 | ROD, GOVERNOR                            | 1     |                |
| 003 | 16561-ZE2-000 | SPRING, GOVERNOR (L=145.0MM) (WIRE DIAME | 1     |                |
| 004 | 16562-ZE2-000 | SPRING, THROTTLE RETURN                  | 1     |                |
| 006 | 16570-ZE2-W10 | CONTROL ASSY. (REMOTE)                   | 1     |                |
| 010 | 16571-ZE2-W00 | LEVER, CONTROL                           | 1     |                |
| 011 | 16574-ZE1-000 | SPRING, LEVER                            | 1     |                |
| 012 | 16575-ZE2-W00 | WASHER, CONTROL LEVER                    | 1     |                |
| 013 | 16576-891-000 | HOLDER, CABLE                            | 1     |                |
| 014 | 16576-891-000 | HOLDER, CABLE                            | 1     |                |
| 015 | 16578-ZE1-000 | SPACER, CONTROL LEVER                    | 1     |                |
| 016 | 16581-ZE2-W00 | BASE COMP., CONTROL (###)                | 1     |                |
| 017 | 16584-883-300 | SPRING, CONTROL ADJUSTING                | 1     |                |

| <u>Ref</u> | <u>Partnumber</u> | <u>Description</u>                 | <u>GX270</u> | <u>Serial Numbers</u> |
|------------|-------------------|------------------------------------|--------------|-----------------------|
| 018        | 16590-ZE2-812     | STAY ASSY., CHOKE CONTROL (REMOTE) | 1            |                       |
| 019        | 16592-883-310     | SPRING, CABLE RETURN               | 1            |                       |
| 020        | 16594-883-010     | HOLDER, WIRE                       | 1            |                       |
| 021        | 16594-883-010     | HOLDER, WIRE                       | 1            |                       |
| 022        | 16599-ZG1-M10     | COLLAR, STOPPER                    | (1)          |                       |
| 023        | 16615-ZE2-810     | SPRING, RETURN                     | 1            |                       |
| 024        | 90013-883-000     | BOLT, FLANGE, 6X12 (CT200)         | 2            |                       |
| 025        | 90015-ZE5-010     | BOLT, GOVERNOR ARM                 | 1            |                       |
| 026        | 90016-ZG9-N30     | SCREW, RECESSED, 5X25              | (1)          |                       |
| 027        | 90114-SA0-000     | NUT, SELF-LOCK, 6MM                | 1            |                       |
| 028        | 90605-230-000     | CIRCLIP, 5MM                       | 1            |                       |
| 029        | 90605-230-000     | CIRCLIP, 5MM                       | 1            |                       |
| 030        | 93500-040060H     | SCREW, PAN, 4X6                    | 1            |                       |
| 031        | 93500-040060H     | SCREW, PAN, 4X6                    | 1            |                       |
| 032        | 93500-050280A     | SCREW, PAN, 5X28                   | 1            |                       |
| 033        | 93500-050160A     | SCREW, PAN, 5X16                   | 1            |                       |
| 034        | 93893-0501600     | SCREW-WASHER, 5X16                 | 1            |                       |
| 035        | 94050-06000       | NUT, FLANGE, 6MM                   | 1            |                       |



| <u>Ref</u> | <u>Partnumber</u> | <u>Description</u>               | <u>GX270</u> | <u>Serial Numbers</u> |
|------------|-------------------|----------------------------------|--------------|-----------------------|
| 028        | 31600-ZE2-861     | RECTIFIER ASSY., REGULATOR (10A) | 1            |                       |
| 029        | 32110-ZE2-860     | HARNESS ASSY., SUB WIRE          | 1            |                       |



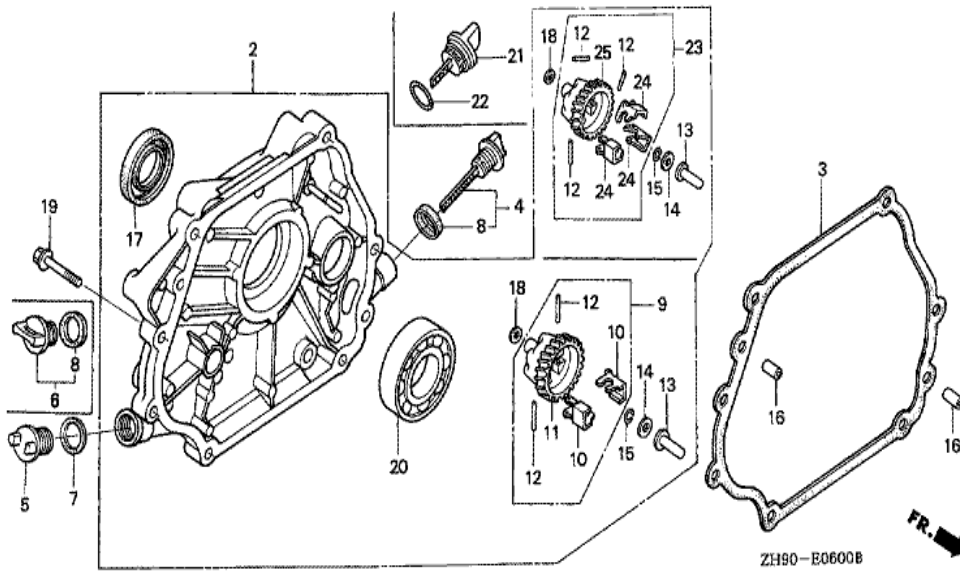
| Ref | Partnumber    | Description                     | GX270 | Serial Numbers |
|-----|---------------|---------------------------------|-------|----------------|
| 003 | 87521-ZH9-020 | EMBLEM (GX270 9.0)              | 1     |                |
| 006 | 87522-ZH8-W40 | MARK, CAUTION (PICTOGRAPH)      | 1     | 2155985        |
| 006 | 87522-ZH8-W41 | MARK, CAUTION (PICTOGRAPH)      | 1     | 2155986        |
| 010 | 87528-ZF6-W40 | MARK, CHOKE (BLACK)             | 1     |                |
| 016 | 87532-ZH8-W40 | MARK, THROTTLE INDICATION       | 1     |                |
| 023 | 87565-ZE2-810 | MARK, FUEL INDICATION (ENGLISH) | 1     |                |
| 030 | 87135-ZE2-020 | LABEL, E-SPEC (15.5X27.5)       | 1     | 2297651        |



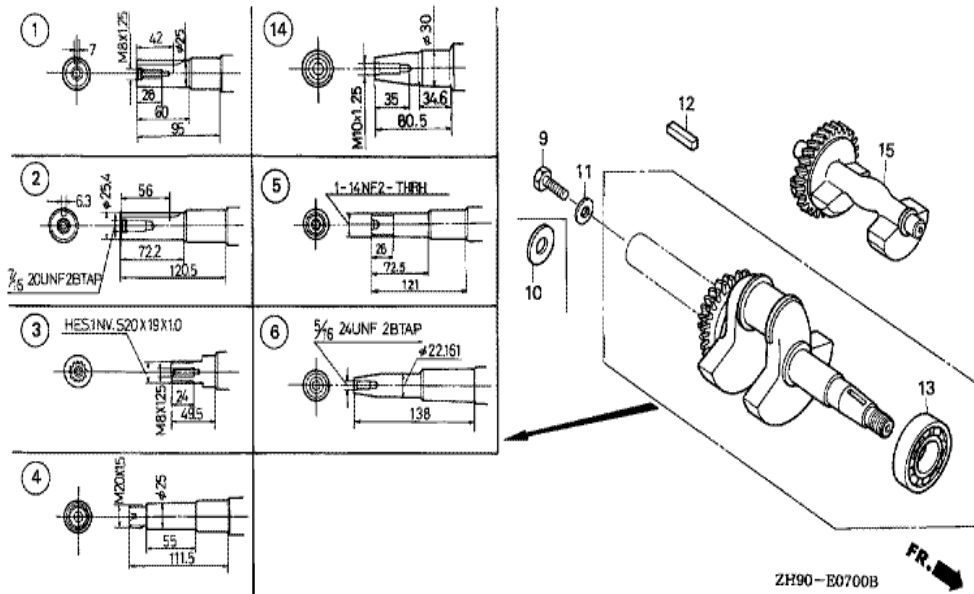
ZH90-E0300B

FR. →

| Ref | Partnumber    | Description                              | GX270 | Serial Numbers |
|-----|---------------|--|-------|----------------|
| 001 | 12000-ZH9-407 | BARREL ASSY., CYLINDER (SELFSTARTER+ALER | 1     |                |
| 002 | 15510-ZE2-043 | SWITCH ASSY., OIL LEVEL                  | 1     |                |
| 003 | 16541-ZE2-010 | SHAFT, GOVERNOR ARM                      | 1     |                |
| 006 | 90131-883-000 | BOLT, DRAIN PLUG, 12X15                  | 2     |                |
| 007 | 90446-KE1-000 | WASHER, 8.2X17X0.8                       | 1     |                |
| 009 | 91201-890-003 | OIL SEAL, 30X46X8                        | 1     |                |
| 010 | 91353-671-004 | O-RING, 14MM (NOK)                       | 1     |                |
| 011 | 94050-10000   | NUT, FLANGE, 10MM                        | 1     |                |
| 012 | 94109-12000   | WASHER, DRAIN PLUG, 12MM                 | 2     |                |
| 013 | 94251-10000   | PIN, LOCK, 10MM                          | 1     |                |
| 014 | 95701-0601200 | BOLT, FLANGE, 6X12                       | 2     |                |
| 016 | 34150-ZH7-003 | ALERT UNIT, OIL                          | 1     |                |
| 017 | 90013-883-000 | BOLT, FLANGE, 6X12 (CT200)               | 1     |                |



| Ref | Partnumber    | Description                | GX270 | Serial Numbers |
|-----|---------------|----------------------------|-------|----------------|
| 002 | 11300-ZE2-602 | COVER ASSY., CRANKCASE     | 1     |                |
| 003 | 11381-ZE2-801 | PACKING, CASE COVER        | 1     |                |
| 004 | 15600-735-003 | CAP ASSY., OIL FILLER      | 1     |                |
| 006 | 15600-ZG4-003 | CAP ASSY., OIL FILLER      | 1     |                |
| 008 | 15625-ZE1-003 | PACKING, OIL FILLER CAP    | 2     |                |
| 009 | 16510-ZE2-000 | GOVERNOR ASSY.             | 1     |                |
| 010 | 16511-ZE2-000 | WEIGHT, GOVERNOR           | 2     |                |
| 011 | 16512-ZE2-000 | HOLDER, GOVERNOR WEIGHT    | 1     |                |
| 012 | 16513-ZE2-000 | PIN, GOVERNOR WEIGHT       | 2     |                |
| 013 | 16531-Z0A-000 | SLIDER, GOVERNOR           | 1     |                |
| 015 | 90602-ZE1-000 | CLIP, GOVERNOR HOLDER      | 1     |                |
| 016 | 90701-HC4-000 | DOWEL PIN, 8X12            | 2     |                |
| 017 | 91201-890-003 | OIL SEAL, 30X46X8          | 1     |                |
| Ref | Partnumber    | Description                | GX270 | Serial Numbers |
| 018 | 94101-06800   | WASHER, PLAIN, 6MM         | 1     |                |
| 019 | 95701-0803500 | BOLT, FLANGE, 8X35         | 7     |                |
| 020 | 96100-6206000 | BEARING, RADIAL BALL, 6206 | 1     |                |



ZH90-E0700B

FR. →

| Ref | Partnumber    | Description                    | GX270 | Serial Numbers |
|-----|---------------|--------------------------------|-------|----------------|
| 002 | 13310-ZH9-600 | CRANKSHAFT COMP.               | 1     | 2395510        |
| 002 | 13310-ZH9-601 | CRANKSHAFT COMP.               | 1     | 2395511        |
| 012 | 90745-ZE2-600 | KEY, 6.3X6.3X43                | 1     |                |
| 013 | 91001-ZH9-003 | BEARING, RADIAL BALL (6206 SH) | 1     |                |

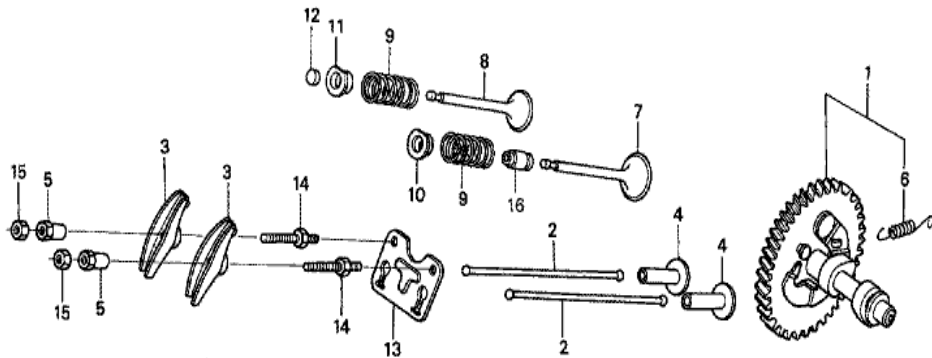




ZH90-E0800A



| <u>Ref</u> | <u>Partnumber</u> | <u>Description</u>                      | <u>GX270</u> | <u>Serial Numbers</u> |
|------------|-------------------|---|--------------|-----------------------|
| 001        | 13010-ZE8-601     | RING SET, PISTON (STD.) (NIPPON)        | 1            |                       |
| 001        | 13010-ZE8-602     | RING SET, PISTON (STD.) (TEIKOKU)       | 1            |                       |
| 001        | 13011-ZE8-601     | RING SET, PISTON (0.25) (NIPPON)        | (1)          |                       |
| 001        | 13011-ZE8-602     | RING SET, PISTON (0.25) (TEIKOKU)       | (1)          |                       |
| 001        | 13012-ZE8-601     | RING SET, PISTON (0.50) (NIPPON)        | (1)          |                       |
| 001        | 13012-ZE8-602     | RING SET, PISTON (0.50) (TEIKOKU)       | (1)          |                       |
| 001        | 13013-ZE8-601     | RING SET, PISTON (0.75) (NIPPON)        | (1)          |                       |
| 001        | 13013-ZE8-602     | RING SET, PISTON (0.75) (TEIKOKU)       | (1)          |                       |
| 002        | 13101-ZH9-000     | PISTON (STD.)                           | 1            |                       |
| 002        | 13102-ZH9-000     | PISTON (0.25)                           | (1)          |                       |
| 002        | 13103-ZH9-000     | PISTON (0.50)                           | (1)          |                       |
| 002        | 13104-ZH9-000     | PISTON (0.75)                           | (1)          |                       |
| 003        | 13111-ZE2-000     | PIN, PISTON                             | 1            |                       |
| <u>Ref</u> | <u>Partnumber</u> | <u>Description</u>                      | <u>GX270</u> | <u>Serial Numbers</u> |
| 004        | 13200-ZE2-010     | ROD ASSY., CONNECTING (STD.)            | 1            |                       |
| 004        | 13200-ZE2-305     | ROD ASSY., CONNECTING (0.25 UNDER SIZE) | (1)          |                       |
| 005        | 90001-ZE8-000     | BOLT, CONNECTING ROD                    | 2            |                       |
| 006        | 90551-ZE1-000     | CLIP, PISTON PIN, 18MM                  | 2            |                       |



ZH90-E0900A



| <u>Ref</u> | <u>Partnumber</u> | <u>Description</u>         | <u>GX270</u> | <u>Serial Numbers</u> |
|------------|-------------------|----------------------------|--------------|-----------------------|
| 001        | 14100-ZH9-010     | CAMSHAFT ASSY.             | 1            |                       |
| 002        | 14410-ZE2-013     | ROD, PUSH                  | 2            |                       |
| 003        | 14431-ZE2-010     | ARM, VALVE ROCKER          | 2            |                       |
| 004        | 14441-ZE2-000     | LIFTER, VALVE              | 2            |                       |
| 005        | 14451-ZE1-013     | PIVOT, ROCKER ARM          | 2            |                       |
| 006        | 14568-ZE1-000     | SPRING, WEIGHT RETURN      | 1            |                       |
| 007        | 14711-ZE2-000     | VALVE, IN.                 | 1            |                       |
| 008        | 14721-ZE2-000     | VALVE, EX.                 | 1            |                       |
| 009        | 14751-ZE2-003     | SPRING, VALVE              | 2            |                       |
| 010        | 14771-ZE2-000     | RETAINER, IN. VALVE SPRING | 1            |                       |
| 011        | 14773-ZE2-000     | RETAINER, EX. VALVE SPRING | 1            |                       |
| 012        | 14781-ZE2-000     | ROTATOR, VALVE             | 1            |                       |
| 013        | 14791-ZE2-010     | GUIDE, PUSH ROD            | 1            |                       |
| <u>Ref</u> | <u>Partnumber</u> | <u>Description</u>         | <u>GX270</u> | <u>Serial Numbers</u> |
| 014        | 90012-ZE0-010     | BOLT, PIVOT, 8MM           | 2            |                       |
| 015        | 90206-ZE1-000     | NUT, PIVOT ADJUSTING       | 2            |                       |
| 016        | 12209-ZE8-003     | SEAL, VALVE STEM           | 1            |                       |