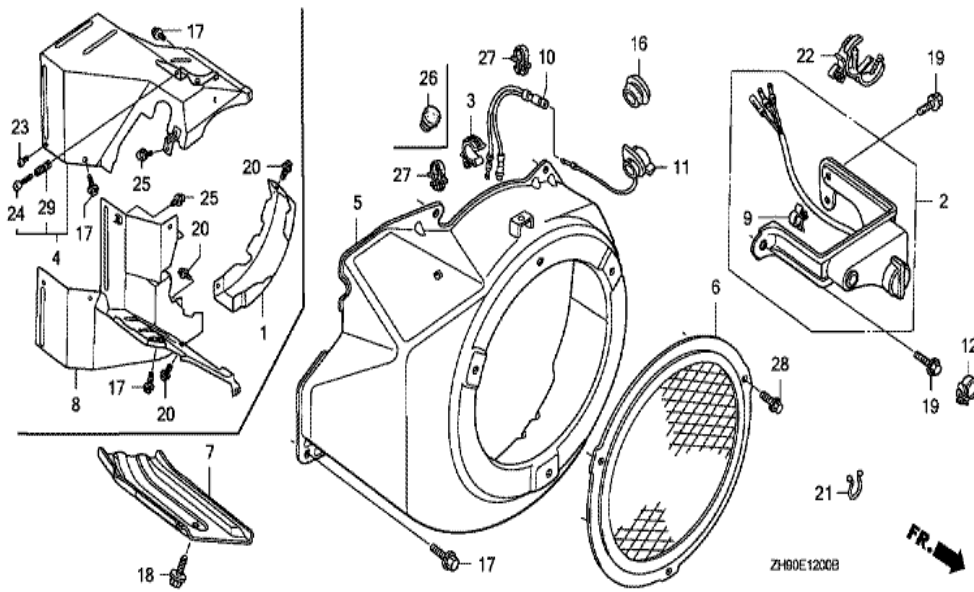


ZH90-E11008



| <u>Ref</u> | <u>Partnumber</u> | <u>Description</u>               | <u>GX270</u> | <u>Serial Numbers</u> |
|------------|-------------------|----------------------------------|--------------|-----------------------|
| 001        | 28400-ZE2-W01ZA   | STARTER ASSY., RECOIL *R8 *      | 1            |                       |
| 002        | 28410-ZE2-W01ZA   | CASE COMP., RECOIL STARTER *R8 * | 1            |                       |
| 003        | 28421-ZE2-W01     | PULLEY, RECOIL STARTER           | 1            |                       |
| 004        | 28422-ZE2-W01     | RATCHET, STARTER                 | 2            |                       |
| 005        | 28441-ZE2-W01     | SPRING, FRICTION                 | 1            |                       |
| 006        | 28442-ZE2-W01     | SPRING, STARTER RETURN           | 1            |                       |
| 007        | 28443-ZE2-W01     | SPRING, RATCHET                  | 2            |                       |
| 008        | 28444-ZE2-W01     | RETAINER, SPRING                 | 1            |                       |
| 010        | 28461-ZE2-W02     | GRIP, STARTER                    | 1            |                       |
| 011        | 28462-ZE2-W01     | ROPE, RECOIL STARTER             | 1            | 1413598               |
| 011        | 28462-ZE2-W11     | ROPE, RECOIL STARTER             | 1            | 1413599               |
| 012        | 28469-ZE2-W01     | REINFORCEMENT, GRIP              | 1            | 1413598               |
| 013        | 90004-ZE2-W01     | SCREW, CENTER                    | 1            |                       |
| <u>Ref</u> | <u>Partnumber</u> | <u>Description</u>               | <u>GX270</u> | <u>Serial Numbers</u> |
| 014        | 90008-ZE2-003     | BOLT, FLANGE, 6X10               | 3            |                       |



| Ref | Partnumber      | Description                | GX270 | Serial Numbers |
|-----|-----------------|----------------------------|-------|----------------|
| 003 | 16731-ZE2-003   | CLIP, TUBE                 | 1     |                |
| 005 | 19610-ZE2-010ZA | COVER COMP., FAN *R8 *     | 1     |                |
| 007 | 19631-ZE2-D00   | SHROUD                     | 1     |                |
| 016 | 81329-567-020   | GROMMET, DRAIN HOLE        | 1     |                |
| 018 | 90013-883-000   | BOLT, FLANGE, 6X12 (CT200) | 1     |                |



ZH80E1400D



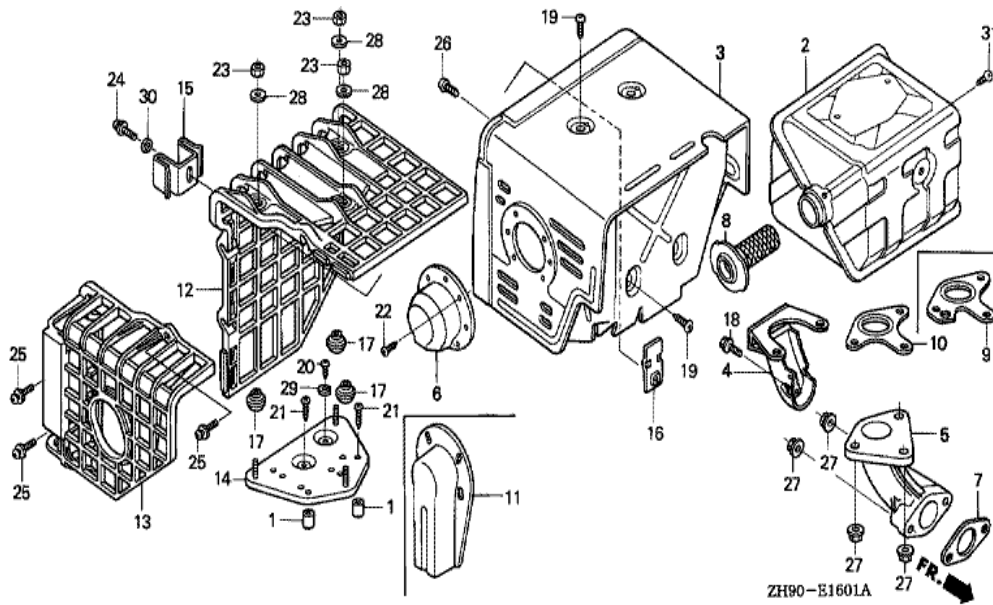
| Ref | Partnumber    | Description                  | GX270 | Serial Numbers |
|-----|---------------|------------------------------|-------|----------------|
| 001 | 16010-ZE2-015 | GASKET SET                   | 1     | BE21A C        |
| 001 | 16010-ZE2-812 | GASKET SET                   | 1     | BE75B B        |
| 002 | 16011-ZA0-931 | VALVE SET, FLOAT             | 1     |                |
| 003 | 16013-ZA0-931 | FLOAT SET                    | 1     |                |
| 005 | 16015-ZE8-005 | CHAMBER SET, FLOAT           | 1     |                |
| 006 | 16016-ZA0-931 | SCREW SET, PILOT             | 1     |                |
| 006 | 16016-ZA0-931 | SCREW SET, PILOT             | 1     | BE21A C        |
| 008 | 16028-ZE0-005 | SCREW SET                    | 1     |                |
| 009 | 16044-ZE2-005 | CHOKE SET                    | 1     |                |
| 010 | 16100-ZH9-821 | CARBURETOR ASSY. (BE21A C)   | 1     | 1471451        |
| 010 | 16100-ZH9-W21 | CARBURETOR ASSY. (BE75B B/C) | 1     | 1471452        |
| 011 | 16124-ZE0-005 | SCREW, THROTTLE STOP         | 1     |                |
| 013 | 16166-ZH9-820 | NOZZLE, MAIN                 | 1     | BE21A C        |

| <u>Ref</u> | <u>Partnumber</u> | <u>Description</u>         | <u>GX270</u> | <u>Serial Numbers</u> |
|------------|-------------------|----------------------------|--------------|-----------------------|
| 013        | 16166-ZH9-W20     | NOZZLE, MAIN               | 1            | BE75B B               |
| 014        | 16173-001-004     | PACKING, FUEL STRAINER CUP | 1            |                       |
| 015        | 16211-ZE2-000     | INSULATOR, CARBURETOR      | 1            |                       |
| 016        | 16220-ZA0-702     | SPACER COMP., CARBURETOR   | 1            |                       |
| 017        | 16221-ZA0-800     | PACKING, CARBURETOR        | 1            |                       |
| 018        | 16223-ZA0-800     | PACKING, INSULATOR         | 1            |                       |
| 019        | 16610-ZE1-000     | LEVER COMP., CHOKE (STD.)  | 1            |                       |
| 020        | 16953-ZE1-812     | LEVER, COCK                | 1            |                       |
| 021        | 16954-ZE1-812     | PLATE, LEVER SETTING       | 1            |                       |
| 023        | 16956-ZE1-811     | SPRING, COCK LEVER         | 1            |                       |
| 024        | 16957-ZE1-812     | PACKING, FUEL COCK         | 1            |                       |
| 025        | 16967-ZE0-811     | CUP, FUEL STRAINER         | 1            |                       |
| 026        | 93500-030061H     | SCREW, PAN, 3X6            | 2            |                       |
| 027        | 94305-20122       | PIN, SPRING, 2X12          | 1            |                       |
| 028        | 99101-ZH80800     | JET, MAIN, #80             | (1)          | BE21A C               |
| 028        | 99101-ZH80800     | JET, MAIN, #80             | (1)          | BE75B B               |
| 028        | 99101-ZH80820     | JET, MAIN, #82             | (1)          | BE75B B               |
| 028        | 99101-ZH80850     | JET, MAIN, #85             | 1            | BE75B B               |
| 028        | 99101-ZH80850     | JET, MAIN, #85             | (1)          | BE21A C               |
| 028        | 99101-ZH80880     | JET, MAIN, #88             | 1            | BE21A C               |
| 029        | 99204-ZE00400     | JET SET, PILOT, #40        | 1            | BE21A C               |
| 029        | 99204-ZE00400     | JET SET, PILOT, #40        | 1            | BE21A C               |
| 029        | 99204-ZE20400     | JET SET, PILOT, #40        | 1            | BE75B B               |
| 030        | 16016-ZH7-W01     | SCREW SET, PILOT           | 1            | BE24B D               |
| 030        | 16016-ZH7-W01     | SCREW SET, PILOT           | 1            | BE75B B               |
| 031        | 16024-ZE1-811     | SCREW SET, DRAIN           | 1            | BE75B B               |
| 032        | 16172-ZE3-W10     | COLLAR, SETTING            | 1            | BE75B B               |



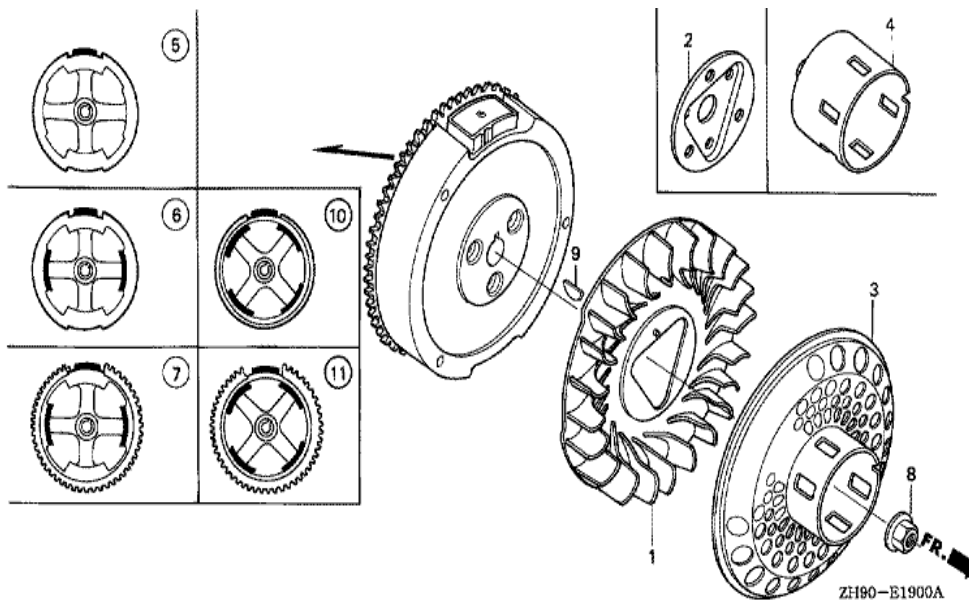
ZH90-E1502A

| Ref | Partnumber    | Description                 | GX270 | Serial Numbers |
|-----|---------------|-----------------------------|-------|----------------|
| 001 | 16271-ZE2-000 | PACKING, ELBOW              | 1     |                |
| 002 | 17210-ZE2-822 | ELEMENT, AIR CLEANER (DUAL) | 1     |                |
| 003 | 17218-ZE2-821 | FILTER, OUTER               | 1     |                |
| 005 | 17231-ZH9-820 | COVER, AIR CLEANER          | 1     |                |
| 006 | 17232-891-000 | GROMMET, AIR CLEANER        | 1     |                |
| 007 | 17238-ZE2-310 | COLLAR, AIR CLEANER         | 2     |                |
| 008 | 17239-ZE1-000 | COLLAR B, AIR CLEANER       | 1     |                |
| 009 | 17410-ZE2-020 | ELBOW COMP., AIR CLEANER    | 1     |                |
| 012 | 90325-044-000 | NUT, TOOL BOX SETTING       | 2     |                |
| 013 | 90009-ZE2-003 | BOLT-WASHER, 6X22           | 1     |                |
| 014 | 94050-06000   | NUT, FLANGE, 6MM            | 2     |                |
| 015 | 17235-ZE2-820 | NOSE, SILENCER              | 1     |                |



| Ref | Partnumber    | Description                       | GX270 | Serial Numbers |
|-----|---------------|-----------------------------------|-------|----------------|
| 002 | 18310-ZE2-W61 | MUFFLER COMP. (100DB)             | 1     |                |
| 003 | 18320-ZE2-W61 | PROTECTOR COMP., MUFFLER          | 1     |                |
| 005 | 18330-ZH9-N00 | PIPE, EX.                         | 1     |                |
| 007 | 18333-ZF6-W01 | GASKET, EX. PIPE                  | 1     | 1457780        |
| 007 | 18333-ZK6-Y00 | GASKET, EX. PIPE                  | 1     | 1457779        |
| 010 | 18381-ZE2-800 | GASKET, MUFFLER (NIPPON LEAKLESS) | 1     |                |
| 019 | 90050-ZE1-000 | SCREW, TAPPING, 5X8               | 4     |                |
| 026 | 90006-ZE2-000 | SCREW, TAPPING, 6X10              | 1     |                |
| 027 | 94050-08000   | NUT, FLANGE, 8MM                  | 5     |                |





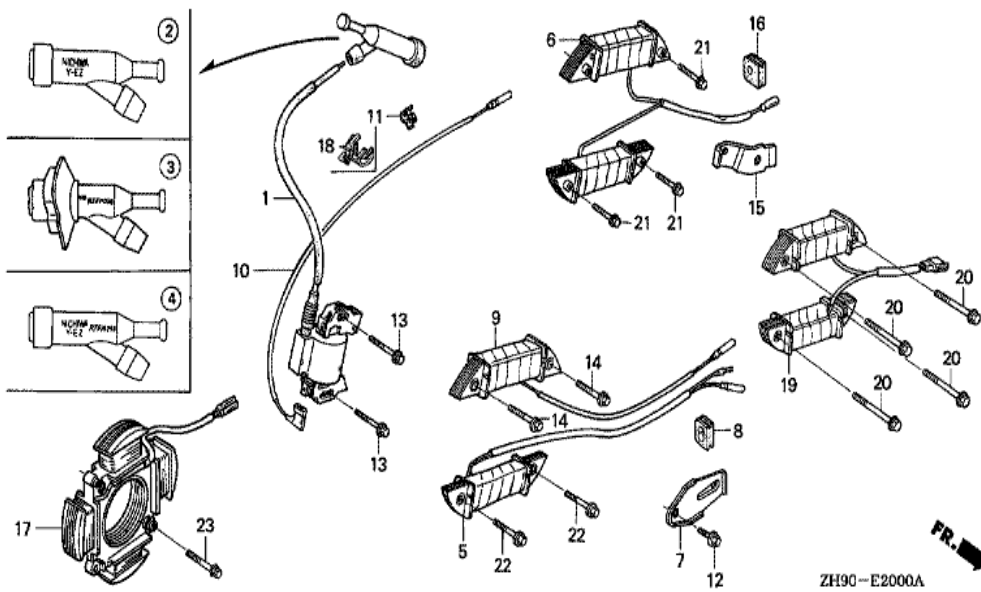
ZH90-E1900A

| Ref | Partnumber    | Description                         | GX270 | Serial Numbers |
|-----|---------------|-------------------------------------|-------|----------------|
| 001 | 19511-ZE2-000 | FAN, COOLING                        | 1     |                |
| 003 | 28450-ZE2-W11 | PULLEY COMP., STARTER (SCREEN GRID) | 1     |                |
| 007 | 31100-ZE2-822 | FLYWHEEL COMP. (STARTER MOTOR)      | 1     |                |
| 008 | 90201-ZE3-V00 | NUT, SPECIAL, 16MM                  | 1     |                |
| 009 | 90741-ZE2-000 | KEY, SPECIAL WOODRUFF, 25X18        | 1     |                |



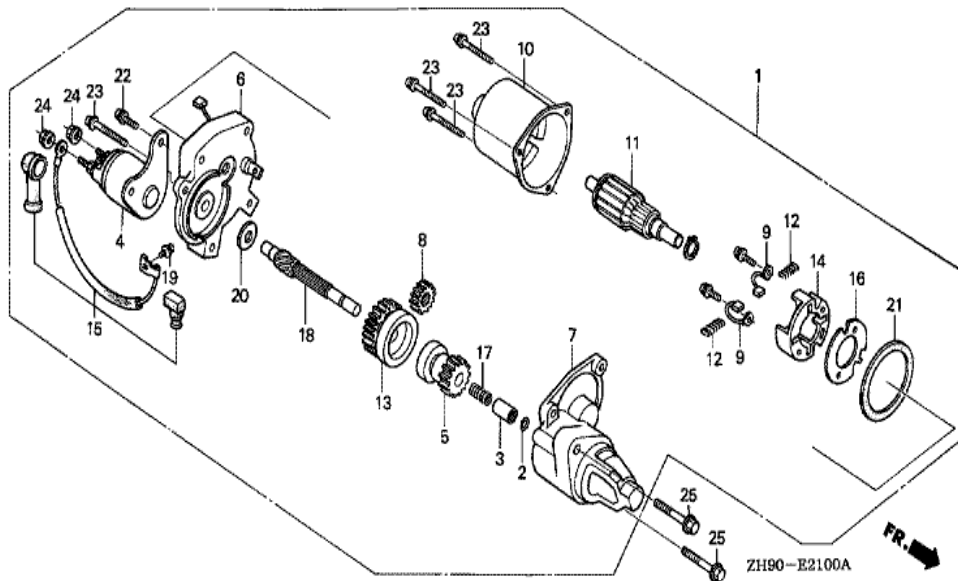


| Ref | Partnumber    | Description                    | GX270 | Serial Numbers |
|-----|---------------|--------------------------------|-------|----------------|
| 001 | 12200-ZH9-000 | HEAD COMP., CYLINDER           | 1     |                |
| 002 | 12204-ZE2-306 | GUIDE, IN. VALVE (O.S.)        | (1)   |                |
| 003 | 12205-ZE2-305 | GUIDE, EX. VALVE (OS)          | (1)   |                |
| 004 | 12216-ZE2-300 | CLIP, VALVE GUIDE              | 1     |                |
| 005 | 12251-ZH9-000 | GASKET, CYLINDER HEAD          | 1     |                |
| 006 | 12310-ZE2-020 | COVER COMP., HEAD              | 1     |                |
| 007 | 95005-1110030 | TUBE, 11X100 (95005-11001-30M) | 1     |                |
| 008 | 12391-ZE2-020 | PACKING, HEAD COVER            | 1     |                |
| 009 | 14775-ZE2-010 | SEAT, VALVE SPRING             | 1     |                |
| 011 | 90014-ZE2-000 | BOLT, HEAD COVER               | 1     |                |
| 012 | 90042-ZE2-000 | BOLT, STUD, 8X123              | 2     |                |
| 013 | 90047-ZE2-000 | BOLT, STUD, 8X47               | 2     | 1457779        |
| 013 | 92900-080320E | BOLT, STUD, 8X32               | 2     | 1457780        |
| Ref | Partnumber    | Description                    | GX270 | Serial Numbers |
| 013 | 92900-080320E | BOLT, STUD, 8X32               | 2     | 1457780        |
| 014 | 90441-ZE2-010 | WASHER COMP., HEAD COVER       | 1     |                |
| 015 | 94301-12200   | DOWEL PIN, 12X20               | 2     |                |
| 016 | 95725-1008000 | BOLT, FLANGE, 10X80            | 4     |                |
| 017 | 98079-55846   | PLUG, SPARK (BPR5ES) (NGK)     | (1)   |                |
| 017 | 98079-55855   | PLUG, SPARK (W16EPR-U) (DENSO) | (1)   |                |
| 017 | 98079-56846   | PLUG, SPARK (BPR6ES) (NGK)     | 1     |                |
| 017 | 98079-56855   | PLUG, SPARK (W20EPR-U) (DENSO) | 1     |                |

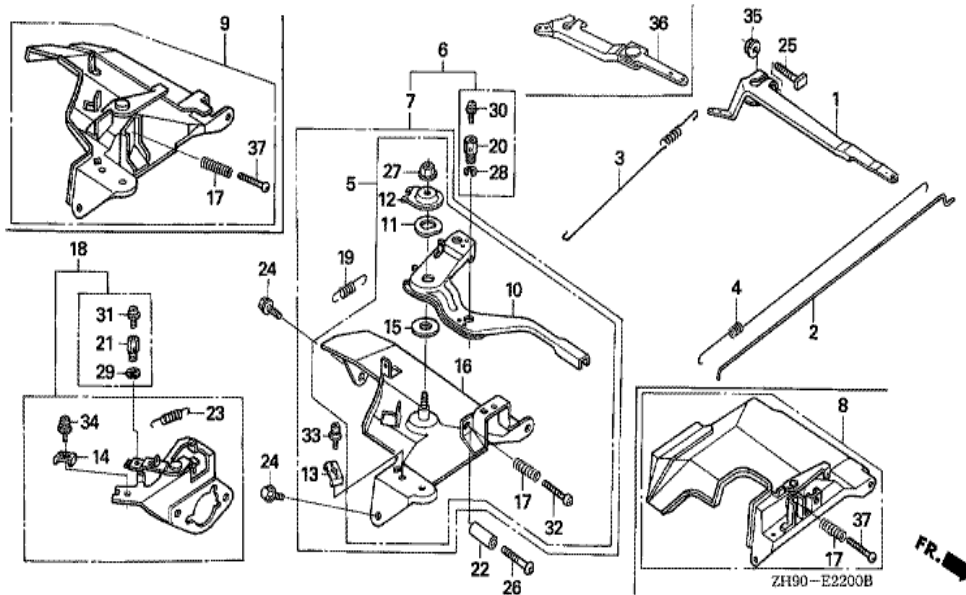


ZH90-E2000A

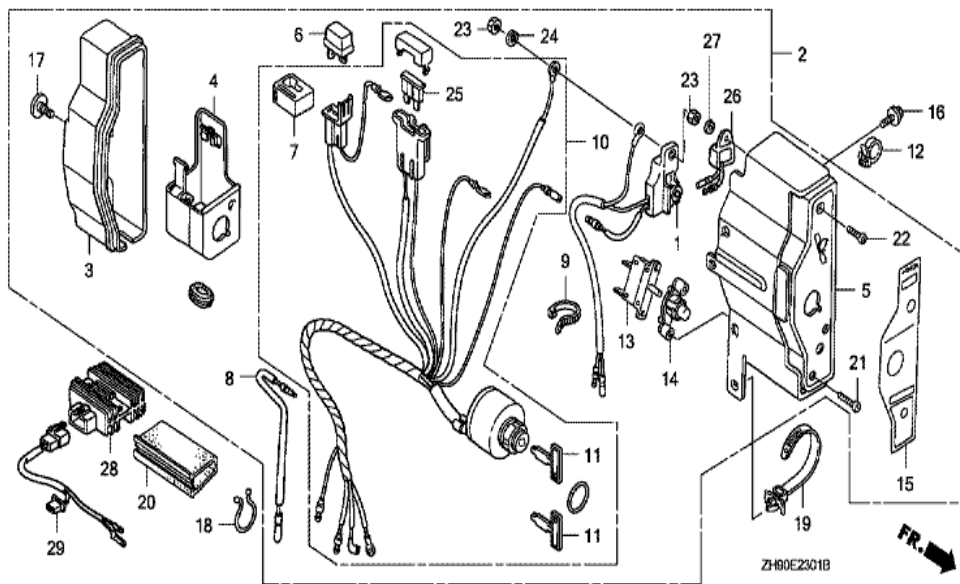
| Ref | Partnumber    | Description                               | GX270 | Serial Numbers |
|-----|---------------|---|-------|----------------|
| 001 | 30500-ZF6-W02 | COIL ASSY., IGNITION                      | 1     |                |
| 004 | 30700-ZE1-013 | CAP ASSY., NOISE SUPPRESSOR (NICHIIWA Y-E | 1     |                |
| 007 | 31511-ZE2-000 | CLAMPER, CORD                             | 1     |                |
| 008 | 31512-ZE2-000 | GROMMET, CORD                             | 1     |                |
| 009 | 31630-ZE1-003 | COIL ASSY., CHARGE (1A)                   | 1     |                |
| 010 | 36101-ZE1-010 | CORD, STOP SWITCH (370MM)                 | 1     |                |
| 012 | 90013-883-000 | BOLT, FLANGE, 6X12 (CT200)                | 1     |                |
| 013 | 90015-883-000 | BOLT, FLANGE, 6X28 (CT200)                | 2     |                |
| 014 | 90015-883-000 | BOLT, FLANGE, 6X28 (CT200)                | 2     |                |



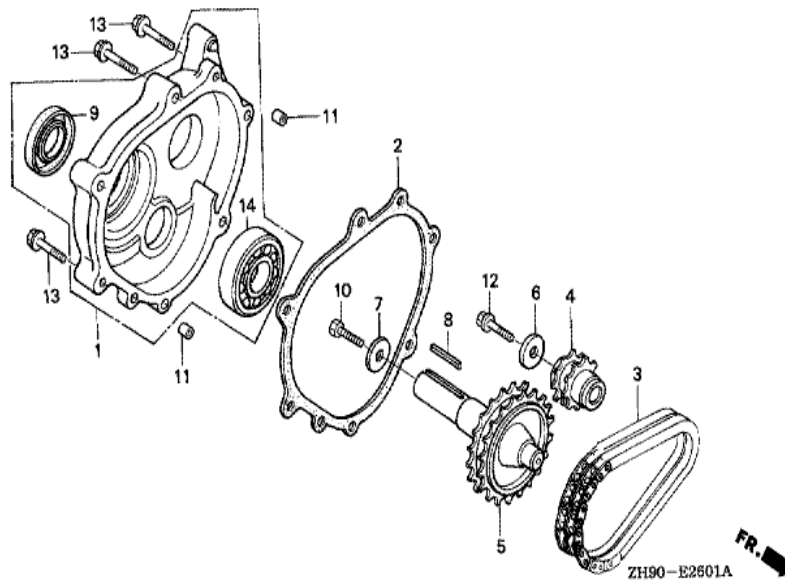
| <u>Ref</u> | <u>Partnumber</u> | <u>Description</u>        | <u>GX270</u> | <u>Serial Numbers</u> |
|------------|-------------------|---------------------------|--------------|-----------------------|
| 001        | 31200-ZH9-003     | MOTOR ASSY., STARTER      | 1            |                       |
| 002        | 31201-ZA1-003     | RING, SNAP                | 1            |                       |
| 003        | 31202-ZA1-003     | COLLAR, CLUTCH STOP       | 1            |                       |
| 004        | 31204-ZA0-003     | CONTACTOR ASSY.           | 1            |                       |
| 005        | 31207-ZH9-003     | CLUTCH COMP., OVERRUNNING | 1            |                       |
| 006        | 31211-ZE2-003     | BRACKET, CENTER           | 1            |                       |
| 007        | 31212-ZE2-003     | BRACKET, FR.              | 1            |                       |
| 008        | 31213-ZE2-003     | GEAR, DRIVE PINION        | 1            |                       |
| 009        | 31215-ZE2-003     | BRUSH                     | 2            |                       |
| 010        | 31216-ZE2-003     | YOKE COMP.                | 1            |                       |
| 011        | 31217-ZE2-003     | ARMATURE COMP.            | 1            |                       |
| 012        | 31219-ZE2-003     | SPRING, BRUSH RETURN      | 4            |                       |
| 013        | 31222-ZE3-791     | GEAR, REDUCTION           | 1            |                       |
| <u>Ref</u> | <u>Partnumber</u> | <u>Description</u>        | <u>GX270</u> | <u>Serial Numbers</u> |
| 014        | 31231-ZE2-003     | HOLDER, BRUSH             | 1            |                       |
| 015        | 31232-ZE3-003     | WIRE, WATER COVER         | 1            |                       |
| 016        | 31233-ZE2-003     | INSULATOR                 | 1            |                       |
| 017        | 31244-ZH9-003     | SPRING                    | 1            |                       |
| 018        | 31245-ZH9-003     | SHAFT                     | 1            |                       |
| 019        | 90110-ZE2-003     | SCREW-WASHER, 4X6         | 1            |                       |
| 020        | 90403-ZH9-003     | WASHER, SK                | 1            |                       |
| 021        | 91601-ZE2-003     | PACKING                   | 1            |                       |
| 022        | 90007-ZE2-003     | BOLT-WASHER, 5X14         | 2            |                       |
| 023        | 93892-0503218     | SCREW-WASHER, 5X32        | 4            |                       |
| 024        | 94070-06080       | NUT-WASHER, 6MM           | 2            |                       |
| 025        | 95701-0804000     | BOLT, FLANGE, 8X40        | 2            |                       |



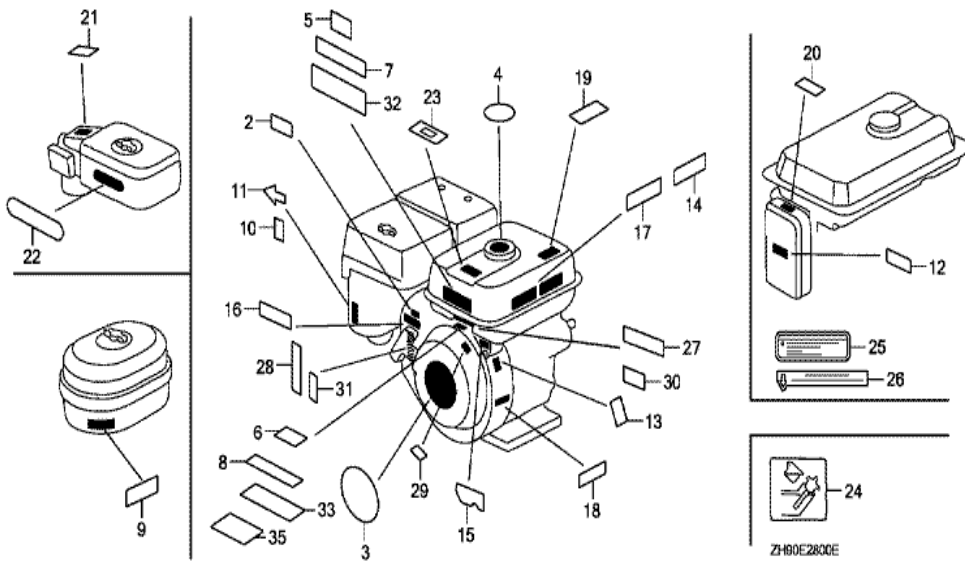
| Ref | Partnumber    | Description                              | GX270 | Serial Numbers |
|-----|---------------|--|-------|----------------|
| 001 | 16551-ZE2-000 | ARM, GOVERNOR                            | 1     |                |
| 002 | 16555-ZE2-000 | ROD, GOVERNOR                            | 1     |                |
| 003 | 16561-ZE2-000 | SPRING, GOVERNOR (L=145.0MM) (WIRE DIAME | 1     |                |
| 004 | 16562-ZE2-000 | SPRING, THROTTLE RETURN                  | 1     |                |
| 007 | 16570-ZE2-W20 | CONTROL ASSY. (REMOTE)                   | 1     |                |
| 010 | 16571-ZE2-W00 | LEVER, CONTROL                           | 1     |                |
| 011 | 16574-ZE1-000 | SPRING, LEVER                            | 1     |                |
| 012 | 16575-ZE2-W00 | WASHER, CONTROL LEVER                    | 1     |                |
| 013 | 16576-891-000 | HOLDER, CABLE                            | 1     |                |
| 015 | 16578-ZE1-000 | SPACER, CONTROL LEVER                    | 1     |                |
| 016 | 16581-ZE2-W00 | BASE COMP., CONTROL (###)                | 1     |                |
| 017 | 16584-883-300 | SPRING, CONTROL ADJUSTING                | 1     |                |
| 019 | 16592-883-310 | SPRING, CABLE RETURN                     | 1     |                |
| Ref | Partnumber    | Description                              | GX270 | Serial Numbers |
| 022 | 16599-ZG1-M10 | COLLAR, STOPPER                          | (1)   |                |
| 024 | 90013-883-000 | BOLT, FLANGE, 6X12 (CT200)               | 2     |                |
| 025 | 90015-ZE5-010 | BOLT, GOVERNOR ARM                       | 1     |                |
| 027 | 90114-SA0-000 | NUT, SELF-LOCK, 6MM                      | 1     |                |
| 032 | 93500-050280A | SCREW, PAN, 5X28                         | 1     |                |
| 033 | 93500-050160A | SCREW, PAN, 5X16                         | 1     |                |
| 035 | 94050-06000   | NUT, FLANGE, 6MM                         | 1     |                |



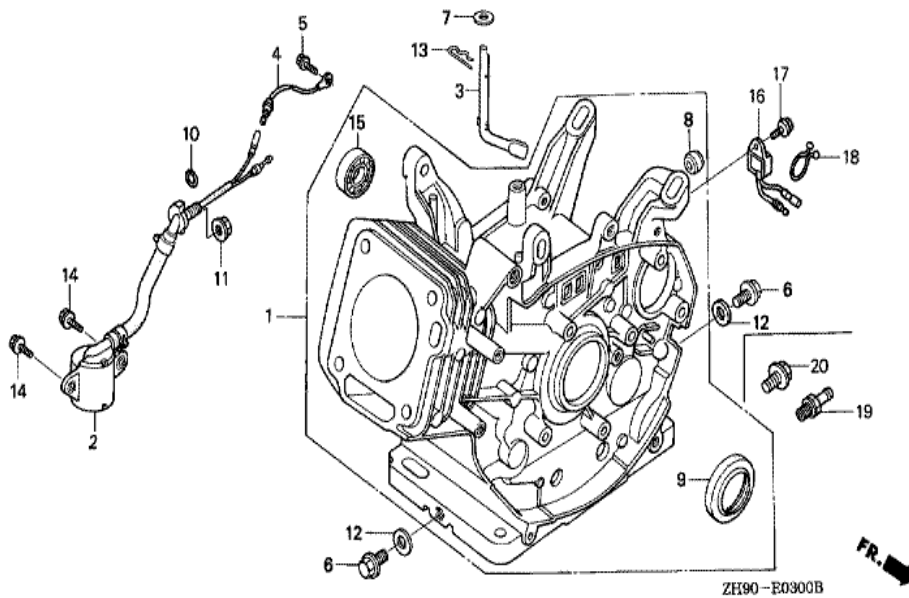
| Ref | Partnumber      | Description                           | GX270 | Serial Numbers |
|-----|-----------------|---------------------------------------|-------|----------------|
| 002 | 31610-ZE2-834ZB | BOX ASSY., CONTROL *R8 *              | 1     | 1324182        |
| 003 | 31612-ZE2-003   | CASE, CONTROL                         | 1     |                |
| 004 | 31614-ZE2-003   | BRACKET, CASE MOUNTING                | 1     |                |
| 005 | 31615-ZE2-003ZB | PANEL COMP., CONTROL *R8 *            | 1     |                |
| 006 | 31700-124-008   | RECTIFIER ASSY., SILICON (SHINDENGEN) | 1     |                |
| 007 | 32127-738-700   | SUSPENSION, COUPLER                   | 1     |                |
| 008 | 32197-ZE1-003   | HARNESS, SUB WIRE                     | 1     |                |
| 009 | 32902-892-003   | BAND                                  | 1     |                |
| 010 | 35100-ZE2-023   | SWITCH ASSY., COMBINATION             | 1     |                |
| 011 | 35111-880-003   | KEY COMP.                             | 2     |                |
| 012 | 36103-ZE1-000   | HOLDER, STOP SWITCH CORD              | 1     |                |
| 013 | 38240-VA3-900   | PROTECTOR, CIRCUIT (1.0A)             | 1     |                |
| 014 | 38250-ZA8-701   | LENS ASSY., PROTECTOR                 | 1     |                |
| Ref | Partnumber      | Description                           | GX270 | Serial Numbers |
| 015 | 87529-ZE2-811   | MARK, CONTROL BOX (EXTERNAL)          | 1     |                |
| 016 | 90013-883-000   | BOLT, FLANGE, 6X12 (CT200)            | 2     |                |
| 017 | 90380-MA6-010   | SCREW, SPECIAL, 6X12                  | 1     |                |
| 018 | 90630-751-000   | CLIP, PURSE LOCK                      | 1     |                |
| 019 | 90672-SA0-003   | STRAP, CABLE, 118MM (BLACK)           | 1     |                |
| 020 | 91406-ZE2-003   | TUBE, FASTENER, 30MM                  | 1     |                |
| 021 | 93500-030120H   | SCREW, PAN, 3X12                      | 2     |                |
| 022 | 93500-040120H   | SCREW, PAN, 4X12                      | 1     |                |
| 023 | 94001-043900S   | NUT, HEX., 4MM                        | 1     | 1324181        |
| 023 | 94001-043900S   | NUT, HEX., 4MM                        | 2     | 1324182        |
| 024 | 94111-04800     | WASHER, SPRING, 4MM                   | 1     |                |
| 025 | 98200-30500     | FUSE, BLADE (5A)                      | 1     |                |
| 026 | 34150-ZH7-003   | ALERT UNIT, OIL                       | 1     | 1324182        |
| 027 | 94101-04800     | WASHER, PLAIN, 4MM                    | 1     | 1324182        |



| Ref | Partnumber    | Description                 | GX270 | Serial Numbers |
|-----|---------------|-----------------------------|-------|----------------|
| 001 | 11500-ZE2-610 | COVER ASSY., CHAIN CASE     | 1     |                |
| 002 | 11521-ZE2-800 | PACKING, CHAIN CASE COVER   | 1     |                |
| 003 | 14411-ZE2-611 | CHAIN, P.T.O. DRIVE         | 1     |                |
| 004 | 23110-ZE2-610 | SPROCKET, DRIVE (14T)       | 1     |                |
| 005 | 23710-ZE2-610 | SHAFT, P.T.O. (28T)         | 1     |                |
| 006 | 90473-842-000 | WASHER, 8MM                 | 1     |                |
| 008 | 90741-805-000 | KEY, 7X7X33                 | 1     |                |
| 008 | 90741-889-810 | KEY, 7X7X33 (YELLOW) (O.S.) | (1)   |                |
| 009 | 91201-890-003 | OIL SEAL, 30X46X8           | 1     |                |
| 011 | 94301-08140   | DOWEL PIN, 8X14             | 2     |                |
| 012 | 95701-0802500 | BOLT, FLANGE, 8X25          | 1     |                |
| 013 | 95701-0804000 | BOLT, FLANGE, 8X40          | 6     |                |
| 014 | 96100-6206000 | BEARING, RADIAL BALL, 6206  | 1     |                |

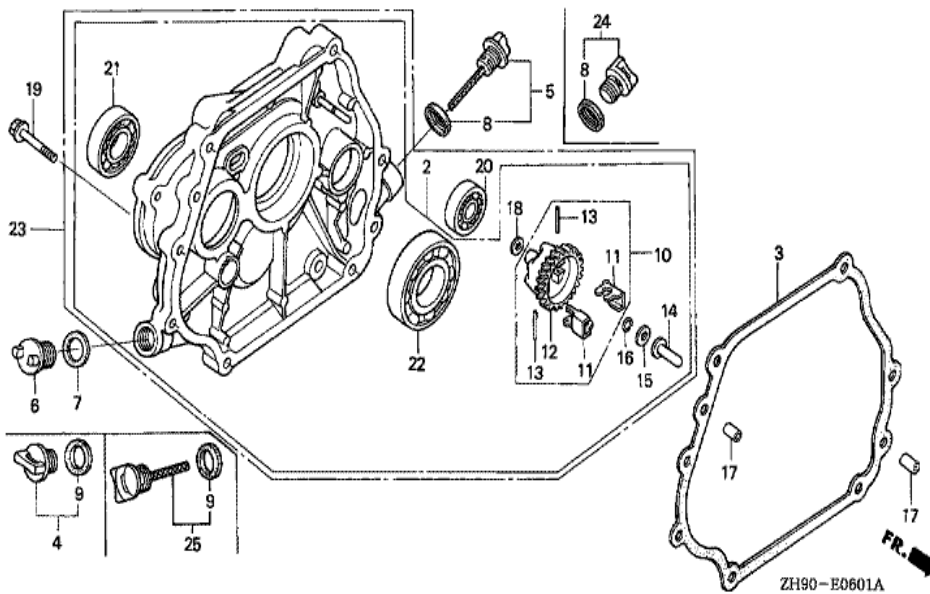


| Ref | Partnumber    | Description                               | GX270 | Serial Numbers |
|-----|---------------|---|-------|----------------|
| 003 | 87521-ZH9-010 | EMBLEM                                    | 1     | 1812277        |
| 003 | 87521-ZH9-020 | EMBLEM (GX270 9.0)                        | 1     | 1812278        |
| 007 | 87522-ZH9-010 | LABEL, CAUTION (ENGLISH, ETC.)            | 1     |                |
| 010 | 87528-ZE2-810 | MARK, CHOKE (ORANGE)                      | 1     |                |
| 014 | 87532-ZB4-G60 | MARK, OIL ALERT (GERMAN)                  | 1     |                |
| 014 | 87532-ZB4-H50 | MARK, OIL ALERT (FRENCH)                  | 1     |                |
| 017 | 87532-ZH8-810 | MARK, OIL ALERT (ENGLISH)                 | 1     |                |
| 027 | 87135-ZE2-000 | LABEL, E-SPEC (HONDA) (EPA STANDARD) (15) | 1     | 1703189        |



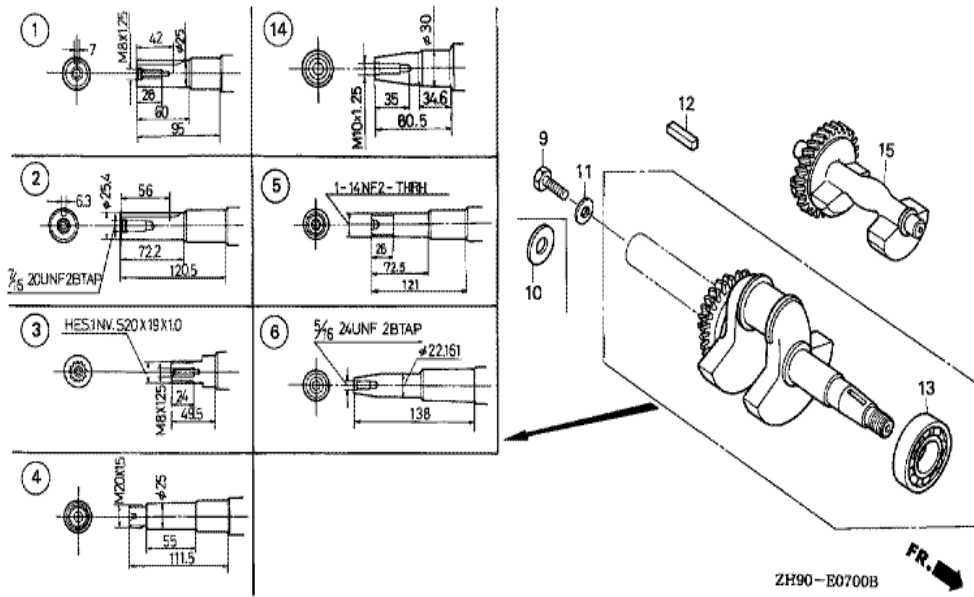
| Ref | Partnumber    | Description                              | GX270 | Serial Numbers |
|-----|---------------|--|-------|----------------|
| 001 | 12000-ZH9-811 | BARREL ASSY., CYLINDER (SELFSTARTER+ALER | 1     | 1680278        |
| 001 | 12000-ZH9-812 | BARREL ASSY., CYLINDER (SELFSTARTER+ALER | 1     | 1680279        |
| 002 | 15510-ZE2-043 | SWITCH ASSY., OIL LEVEL                  | 1     |                |
| 003 | 16541-ZE2-010 | SHAFT, GOVERNOR ARM                      | 1     |                |
| 006 | 90131-883-000 | BOLT, DRAIN PLUG, 12X15                  | 2     |                |
| 007 | 90446-KE1-000 | WASHER, 8.2X17X0.8                       | 1     |                |
| 009 | 91201-890-003 | OIL SEAL, 30X46X8                        | 1     |                |
| 010 | 91353-671-004 | O-RING, 14MM (NOK)                       | 1     |                |
| 011 | 94050-10000   | NUT, FLANGE, 10MM                        | 1     |                |
| 012 | 94109-12000   | WASHER, DRAIN PLUG, 12MM                 | 2     |                |
| 013 | 94251-10000   | PIN, LOCK, 10MM                          | 1     |                |
| 014 | 95701-0601200 | BOLT, FLANGE, 6X12                       | 2     |                |



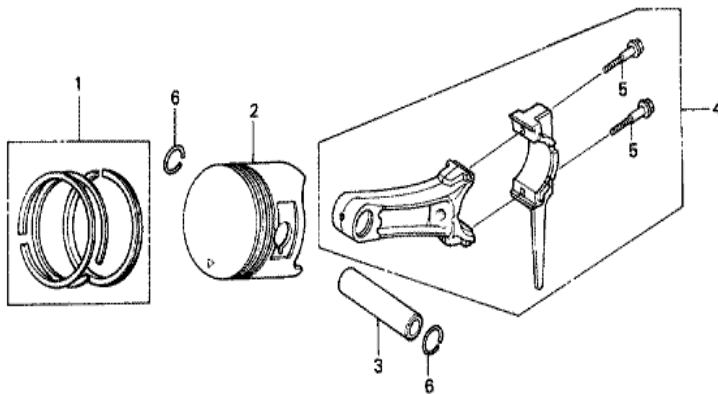


ZH90-E0601A

| Ref | Partnumber    | Description                | GX270 | Serial Numbers |
|-----|---------------|----------------------------|-------|----------------|
| 002 | 11300-ZE2-610 | COVER ASSY., CRANKCASE     | 1     | 1832354        |
| 002 | 11300-ZE2-611 | COVER ASSY., CRANKCASE     | 1     | 1832355        |
| 003 | 11381-ZE2-801 | PACKING, CASE COVER        | 1     |                |
| 004 | 15600-ZG4-003 | CAP ASSY., OIL FILLER      | 1     |                |
| 005 | 15600-735-003 | CAP ASSY., OIL FILLER      | 1     |                |
| 008 | 15625-ZE1-003 | PACKING, OIL FILLER CAP    | 1     |                |
| 009 | 15625-ZE1-003 | PACKING, OIL FILLER CAP    | 1     |                |
| 010 | 16510-ZE2-000 | GOVERNOR ASSY.             | 1     |                |
| 011 | 16511-ZE2-000 | WEIGHT, GOVERNOR           | 2     |                |
| 012 | 16512-ZE2-000 | HOLDER, GOVERNOR WEIGHT    | 1     |                |
| 013 | 16513-ZE2-000 | PIN, GOVERNOR WEIGHT       | 2     |                |
| 014 | 16531-Z0A-000 | SLIDER, GOVERNOR           | 1     | 1832355        |
| 014 | 16531-ZE2-000 | SLIDER, GOVERNOR           | 1     | 1832354        |
| Ref | Partnumber    | Description                | GX270 | Serial Numbers |
| 015 | 90473-147-000 | WASHER, 6X16               | 1     | 1832355        |
| 016 | 90602-ZE1-000 | CLIP, GOVERNOR HOLDER      | 1     |                |
| 017 | 90701-HC4-000 | DOWEL PIN, 8X12            | 2     |                |
| 018 | 94101-06800   | WASHER, PLAIN, 6MM         | 1     |                |
| 019 | 95701-0803500 | BOLT, FLANGE, 8X35         | 7     |                |
| 021 | 96100-6204000 | BEARING, RADIAL BALL, 6204 | 1     |                |
| 022 | 96100-6206000 | BEARING, RADIAL BALL, 6206 | 1     |                |



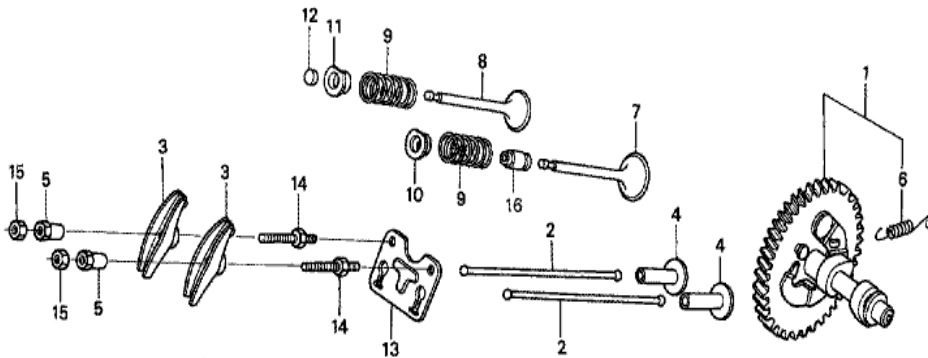
| Ref | Partnumber    | Description                    | GX270 | Serial Numbers |
|-----|---------------|--------------------------------|-------|----------------|
| 003 | 13310-ZH9-610 | CRANKSHAFT COMP.               | 1     |                |
| 013 | 91001-ZH9-003 | BEARING, RADIAL BALL (6206 SH) | 1     |                |



ZH90-E0800A



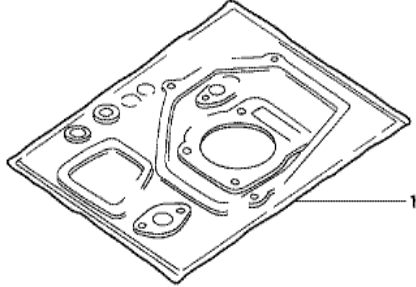
| <u>Ref</u> | <u>Partnumber</u> | <u>Description</u>                      | <u>GX270</u> | <u>Serial Numbers</u> |
|------------|-------------------|---|--------------|-----------------------|
| 001        | 13010-ZE8-601     | RING SET, PISTON (STD.) (NIPPON)        | 1            |                       |
| 001        | 13010-ZE8-602     | RING SET, PISTON (STD.) (TEIKOKU)       | 1            |                       |
| 001        | 13011-ZE8-601     | RING SET, PISTON (0.25) (NIPPON)        | (1)          |                       |
| 001        | 13011-ZE8-602     | RING SET, PISTON (0.25) (TEIKOKU)       | (1)          |                       |
| 001        | 13012-ZE8-601     | RING SET, PISTON (0.50) (NIPPON)        | (1)          |                       |
| 001        | 13012-ZE8-602     | RING SET, PISTON (0.50) (TEIKOKU)       | (1)          |                       |
| 001        | 13013-ZE8-601     | RING SET, PISTON (0.75) (NIPPON)        | (1)          |                       |
| 001        | 13013-ZE8-602     | RING SET, PISTON (0.75) (TEIKOKU)       | (1)          |                       |
| 002        | 13101-ZH9-000     | PISTON (STD.)                           | 1            |                       |
| 002        | 13102-ZH9-000     | PISTON (0.25)                           | (1)          |                       |
| 002        | 13103-ZH9-000     | PISTON (0.50)                           | (1)          |                       |
| 002        | 13104-ZH9-000     | PISTON (0.75)                           | (1)          |                       |
| 003        | 13111-ZE2-000     | PIN, PISTON                             | 1            |                       |
| <u>Ref</u> | <u>Partnumber</u> | <u>Description</u>                      | <u>GX270</u> | <u>Serial Numbers</u> |
| 004        | 13200-ZE2-010     | ROD ASSY., CONNECTING (STD.)            | 1            |                       |
| 004        | 13200-ZE2-305     | ROD ASSY., CONNECTING (0.25 UNDER SIZE) | (1)          |                       |
| 005        | 90001-ZE8-000     | BOLT, CONNECTING ROD                    | 2            |                       |
| 006        | 90551-ZE1-000     | CLIP, PISTON PIN, 18MM                  | 2            |                       |



ZH90-E0900A



| <u>Ref</u> | <u>Partnumber</u> | <u>Description</u>         | <u>GX270</u> | <u>Serial Numbers</u> |
|------------|-------------------|----------------------------|--------------|-----------------------|
| 001        | 14100-ZE3-020     | CAMSHAFT ASSY.             | 1            | 1471452               |
| 001        | 14100-ZH9-010     | CAMSHAFT ASSY.             | 1            | 1471451               |
| 002        | 14410-ZE2-013     | ROD, PUSH                  | 2            |                       |
| 003        | 14431-ZE2-010     | ARM, VALVE ROCKER          | 2            |                       |
| 004        | 14441-ZE2-000     | LIFTER, VALVE              | 2            |                       |
| 005        | 14451-ZE1-013     | PIVOT, ROCKER ARM          | 2            |                       |
| 006        | 14568-ZE1-000     | SPRING, WEIGHT RETURN      | 1            |                       |
| 007        | 14711-ZE2-000     | VALVE, IN.                 | 1            |                       |
| 008        | 14721-ZE2-000     | VALVE, EX.                 | 1            |                       |
| 009        | 14751-ZE2-003     | SPRING, VALVE              | 2            |                       |
| 010        | 14771-ZE2-000     | RETAINER, IN. VALVE SPRING | 1            |                       |
| 011        | 14773-ZE2-000     | RETAINER, EX. VALVE SPRING | 1            |                       |
| 012        | 14781-ZE2-000     | ROTATOR, VALVE             | 1            |                       |
| <u>Ref</u> | <u>Partnumber</u> | <u>Description</u>         | <u>GX270</u> | <u>Serial Numbers</u> |
| 013        | 14791-ZE2-010     | GUIDE, PUSH ROD            | 1            |                       |
| 014        | 90012-ZE0-010     | BOLT, PIVOT, 8MM           | 2            |                       |
| 015        | 90206-ZE1-000     | NUT, PIVOT ADJUSTING       | 2            |                       |
| 016        | 12209-ZE8-003     | SEAL, VALVE STEM           | 1            | 1703119               |



HENG-X0003

| <u>Ref</u> | <u>Partnumber</u> | <u>Description</u> | <u>GX270</u> | <u>Serial Numbers</u> |
|------------|-------------------|--------------------|--------------|-----------------------|
| 001        | 061A1-ZH9-050     | GASKET KIT         | 1            | 1641019               |