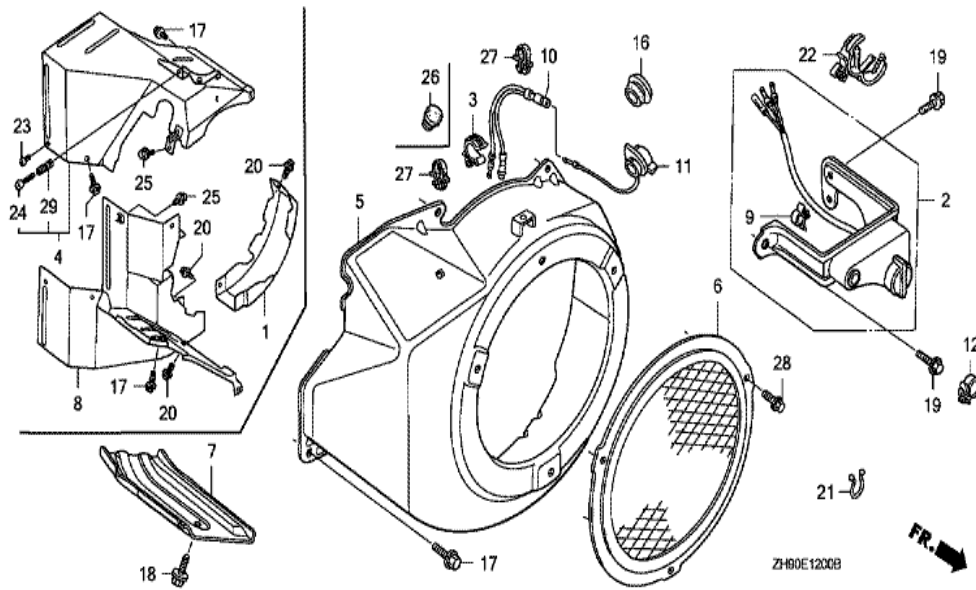




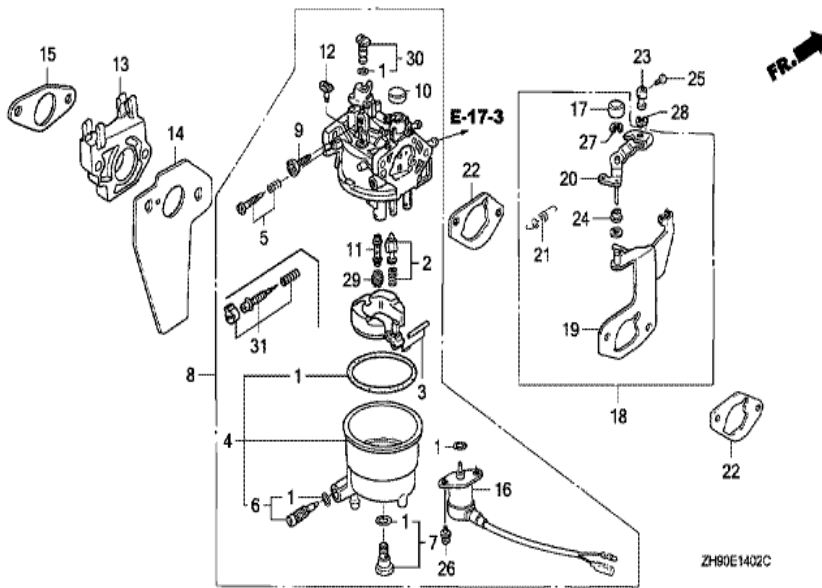
ZH90-E11008



<u>Ref</u>	<u>Partnumber</u>	<u>Description</u>	<u>GX270</u>	<u>Serial Numbers</u>
001	28400-ZE2-W01ZA	STARTER ASSY., RECOIL *R8 *	1	2080023
001	28400-ZE2-W01ZN	STARTER ASSY., RECOIL *R280 *	1	2080024 2481929
001	28400-ZE2-W02ZN	STARTER ASSY., RECOIL *R280*	1	2481930
002	28410-ZE2-W01ZA	CASE COMP., RECOIL STARTER *R8 *	1	2080023
002	28410-ZE2-W01ZN	CASE COMP., RECOIL STARTER *R280 *	1	2080024
003	28421-ZE2-W01	PULLEY, RECOIL STARTER	1	
004	28422-ZE2-W01	RATCHET, STARTER	2	
005	28441-ZE2-W01	SPRING, FRICTION	1	
006	28442-ZE2-W01	SPRING, STARTER RETURN	1	
007	28443-ZE2-W01	SPRING, RATCHET	2	
008	28444-ZE2-W01	RETAINER, SPRING	1	
010	28461-ZE2-W02	GRIP, STARTER	1	2481929
010	28461-ZE2-W03	GRIP, STARTER	1	2481930
<u>Ref</u>	<u>Partnumber</u>	<u>Description</u>	<u>GX270</u>	<u>Serial Numbers</u>
011	28462-ZE2-W11	ROPE, RECOIL STARTER	1	
013	90004-ZE2-W01	SCREW, CENTER	1	
014	90008-ZE2-003	BOLT, FLANGE, 6X10	3	

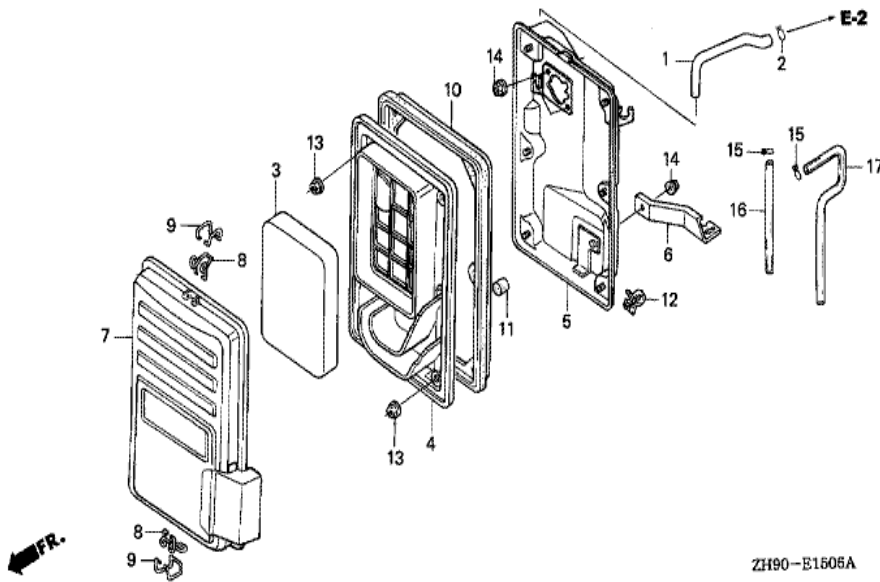


Ref	Partnumber	Description	GX270	Serial Numbers
001	11315-ZB7-000	SCROLL, GENERATOR FAN	1	
004	19602-ZE2-E10	SHROUD ASSY., UPPER	1	
005	19610-ZH9-V10	COVER COMP., FAN (SHIBAURA)	1	
008	19640-ZE2-E10	SHROUD COMP., LOWER	1	
012	36103-ZE1-000	HOLDER, STOP SWITCH CORD	1	
016	81329-567-020	GROMMET, DRAIN HOLE	1	
017	90013-883-000	BOLT, FLANGE, 6X12 (CT200)	5	
020	90019-883-000	BOLT, FLANGE, 5X10	3	
023	93500-050080A	SCREW, PAN, 5X8	1	
024	93500-050320A	SCREW, PAN, 5X32	1	
025	90008-ZE2-003	BOLT, FLANGE, 6X10	3	
029	16584-883-300	SPRING, CONTROL ADJUSTING	1	



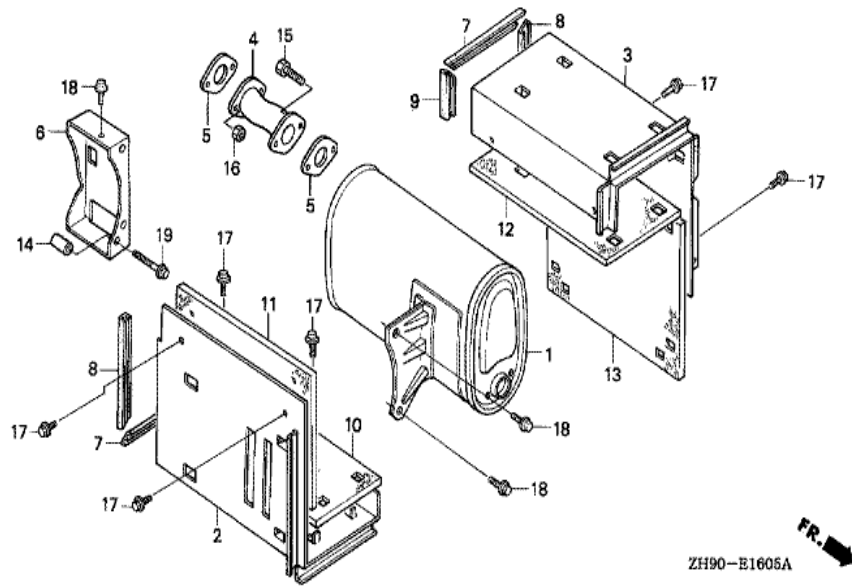
Ref	Partnumber	Description	GX270	Serial Numbers
001	16010-ZE3-701	GASKET SET	1	
002	16011-ZA0-931	VALVE SET, FLOAT	1	
003	16013-ZA0-931	FLOAT SET	1	
004	16015-ZA0-931	CHAMBER SET, FLOAT	1	
005	16016-ZA0-931	SCREW SET, PILOT	1	BE21E B
006	16024-124-760	SCREW SET, DRAIN	1	BE21E C
006	16024-124-761	SCREW SET, DRAIN	1	BE21E B
007	16028-ZA0-931	SCREW SET	1	
008	16100-ZH9-V11	CARBURETOR ASSY. (BE21E B)	1	2341615
008	16100-ZH9-V12	CARBURETOR ASSY. (BE21E C)	1	2341616
009	16124-ZE0-005	SCREW, THROTTLE STOP	1	
010	16148-141-881	CAP, CHOKE DUST	1	
011	16166-ZH9-820	NOZZLE, MAIN	1	

<u>Ref</u>	<u>Partnumber</u>	<u>Description</u>	<u>GX270</u>	<u>Serial Numbers</u>
012	16172-ZE3-W10	COLLAR, SETTING	1	
013	16211-ZB7-000	INSULATOR, CARBURETOR	1	
014	16221-ZB7-800	PACKING, CARBURETOR	1	
015	16223-ZA0-800	PACKING, INSULATOR	1	
016	16230-ZE3-701	VALVE ASSY., SOLENOID	1	2440626
016	16230-ZE3-702	VALVE ASSY., SOLENOID	1	2440627
017	16252-ZA1-010	CAP, CHOKE LEVER	1	
018	16260-ZB7-702	STAY ASSY., REMOTE CHOKE	1	
019	16261-ZB7-700	STAY COMP., REMOTE CHOKE	1	
020	16263-ZB7-701	LEVER, REMOTE CHOKE	1	
021	16268-893-000	SPRING, CHOKE RETURN	1	
022	16269-ZA0-800	PACKING, AIR CLEANER	2	
023	16617-890-010	HOLDER, CABLE	1	
024	91502-ZB7-700	BUSH, CHOKE LEVER	1	
025	93500-040080A	SCREW, PAN, 4X8	1	
026	93892-0501218	SCREW-WASHER, 5X12	2	
027	94540-04018	E-RING, 4MM	1	
028	94540-05010	E-RING, 5MM	1	
029	99101-ZH80880	JET, MAIN, #88	(1)	
029	99101-ZH80900	JET, MAIN, #90	(1)	
029	99101-ZH80920	JET, MAIN, #92	1	
030	99204-ZE20400	JET SET, PILOT, #40	1	
031	16016-ZH8-W01	SCREW SET	1	BE21E C



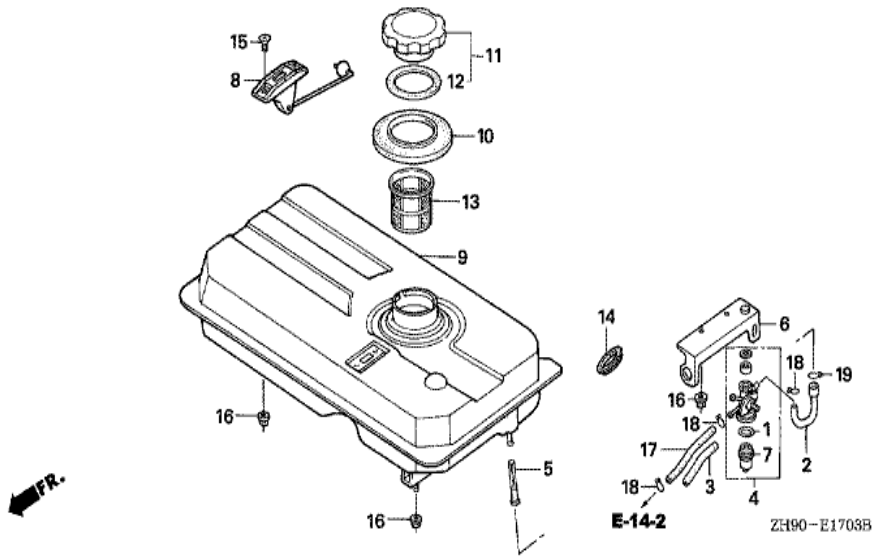
ZH90-E1506A

<u>Ref</u>	<u>Partnumber</u>	<u>Description</u>	<u>GX270</u>	<u>Serial Numbers</u>
001	15721-ZB7-000	TUBE, BREATHER	1	
002	15772-292-010	CLIP, BREATHER TUBE	1	
003	17211-899-000	ELEMENT, AIR CLEANER	1	
004	17212-ZB4-003	SEPARATOR, AIR CLEANER	1	
005	17220-ZB7-000	CASE COMP., AIR CLEANER	1	
006	17222-ZB7-000	STAY, AIR CLEANER	1	
007	17231-ZB7-000	COVER COMP., AIR CLEANER	1	
008	17235-899-000	CLIP A, AIR CLEANER WIRE	2	
009	17236-899-000	CLIP B, AIR CLEANER WIRE	2	
010	17252-899-000	SEAL, AIR CLEANER	1	
011	17367-413-690	FILTER, DRAIN TUBE	1	
012	90624-SB0-003	CLIP, WIRE HARNESS	1	
013	94050-05000	NUT, FLANGE, 5MM	6	
<u>Ref</u>	<u>Partnumber</u>	<u>Description</u>	<u>GX270</u>	<u>Serial Numbers</u>
014	94050-06000	NUT, FLANGE, 6MM	3	
015	95002-45000	CLIP, TUBE (C8)	2	
016	95003-0902331	TUBE, VINYL, 4.5X8X230 (95003-09001-60M)	1	
017	95003-0903831	TUBE, VINYL, 4.5X8X380 (95003-09001-60M)	1	

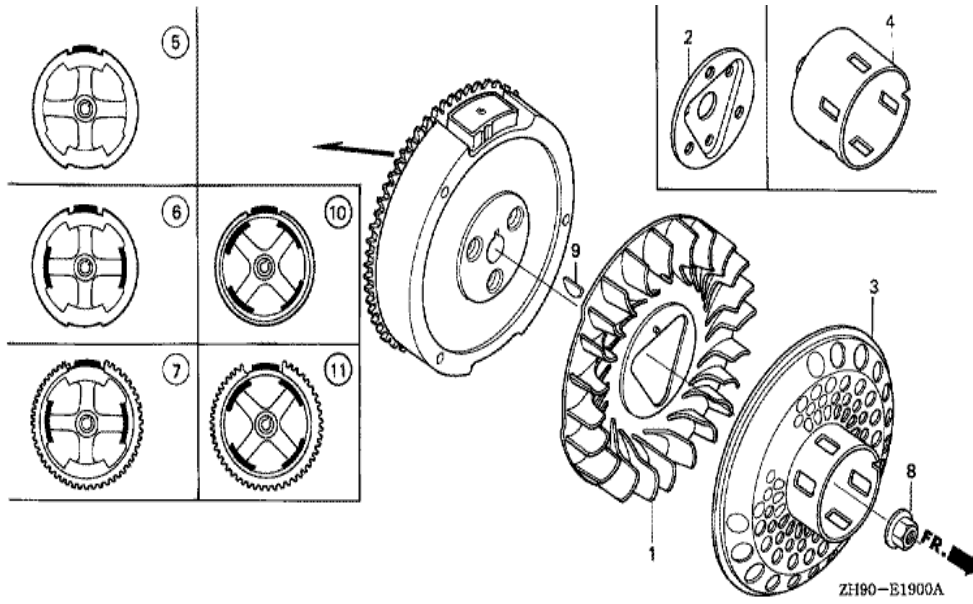


ZH90-E1605A

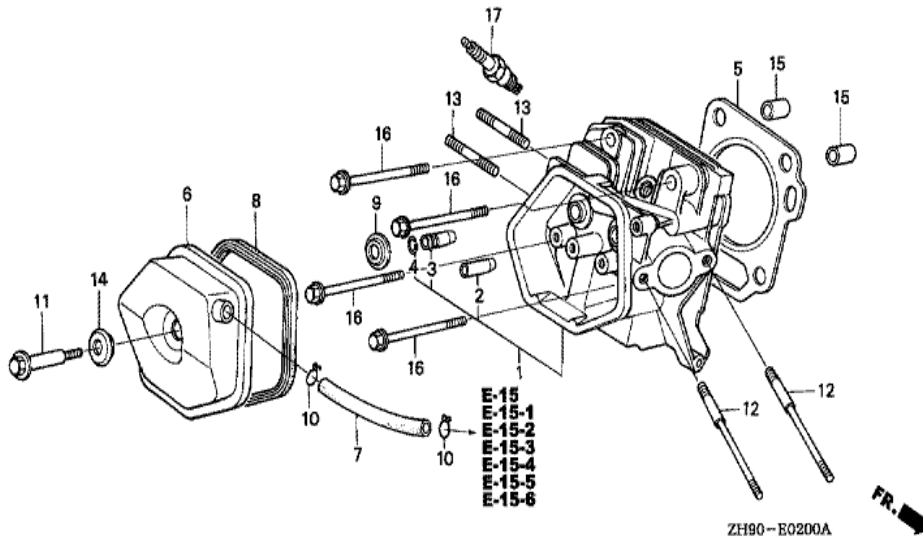
<u>Ref</u>	<u>Partnumber</u>	<u>Description</u>	<u>GX270</u>	<u>Serial Numbers</u>
001	18310-ZB7-003	MUFFLER COMP.	1	
002	18321-ZB7-000	DUCT, LOWER MUFFLER	1	
003	18325-ZB7-000	DUCT, UPPER MUFFLER	1	
004	18330-ZB7-003	PIPE COMP., EX.	1	
005	18333-ZB7-800	GASKET, EX. PIPE	2	
006	18338-ZB7-000	STAY COMP., MUFFLER	1	
007	18412-ZB7-000	SEAL, MUFFLER DUCT (A)	2	
008	18413-ZB7-000	SEAL, MUFFLER DUCT (B)	2	
009	18414-ZB7-000	SEAL, MUFFLER DUCT (C)	2	
010	64181-ZB7-000	INSULATOR A, LOWER MUFFLER DUCT	1	
011	64182-ZB7-000	INSULATOR B, LOWER MUFFLER DUCT	1	
012	64185-ZB7-000	INSULATOR A, UPPER MUFFLER DUCT	1	
013	64186-ZB7-000	INSULATOR B, UPPER MUFFLER DUCT	1	
<u>Ref</u>	<u>Partnumber</u>	<u>Description</u>	<u>GX270</u>	<u>Serial Numbers</u>
014	91551-ZB7-000	COLLAR, MUFFLER STAY	1	
015	92101-080280A	BOLT, HEX., 8X28	2	
016	94001-080000S	NUT, HEX., 8MM	2	
017	95701-0601200	BOLT, FLANGE, 6X12	8	
018	95701-0801600	BOLT, FLANGE, 8X16	3	
019	95701-0804000	BOLT, FLANGE, 8X40	1	



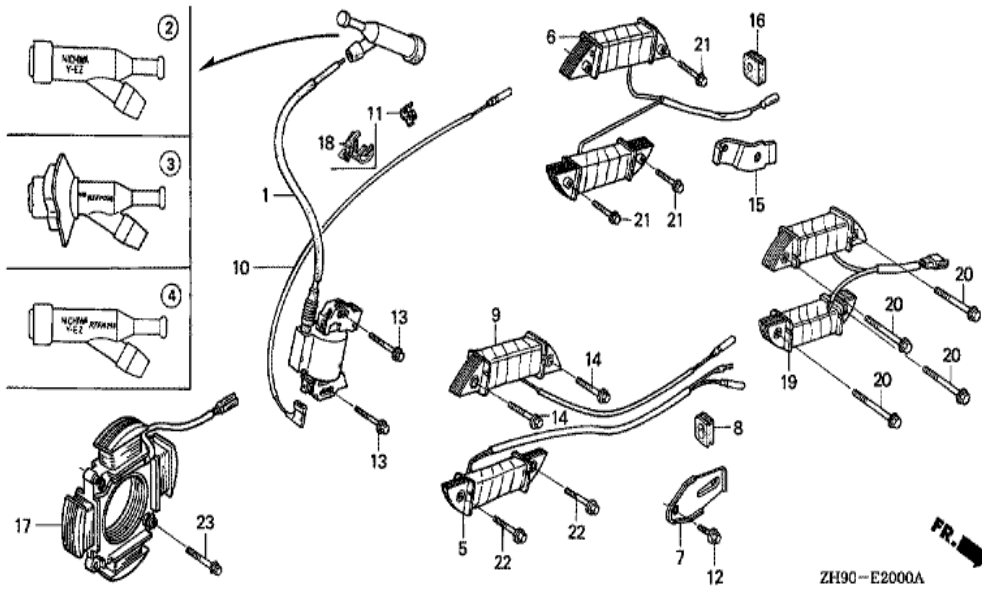
<u>Ref</u>	<u>Partnumber</u>	<u>Description</u>	<u>GX270</u>	<u>Serial Numbers</u>
001	16173-001-004	PACKING, FUEL STRAINER CUP	1	
002	16851-ZB7-700	TUBE, FUEL (TANK-COCK)	1	
003	16857-ZB7-000	TUBE, FUEL SUPPORTER	1	
004	16950-ZA0-803	COCK ASSY., FUEL	1	
005	16952-ZB7-000	STRAINER, FUEL	1	
006	16956-ZB7-700	BRACKET, FUEL COCK	1	
007	16967-MA2-771	CUP, FUEL STRAINER	1	
008	17505-ZB2-003	METER ASSY., FUEL	1	
009	17510-ZB7-000	TANK COMP., FUEL	1	
010	17520-ZA0-800	SEAL, FUEL FILLER NECK	1	
011	17620-899-013	CAP COMP., FUEL FILLER	1	
012	17631-899-000	PACKING, FUEL FILLER CAP	1	
013	17670-899-000	FILTER COMP., FUEL	1	
<u>Ref</u>	<u>Partnumber</u>	<u>Description</u>	<u>GX270</u>	<u>Serial Numbers</u>
014	32112-611-000	GROMMET, WIRE CORD	1	
015	93600-050100A	SCREW, FLAT, 5X10	2	
016	94050-06000	NUT, FLANGE, 6MM	6	
017	95001-4525040	TUBE, FUEL, 4.5X250 (95001-45001-60M)	1	
018	95002-02080	CLIP, TUBE (B8)	3	
019	95002-02100	CLIP, TUBE (B10)	1	



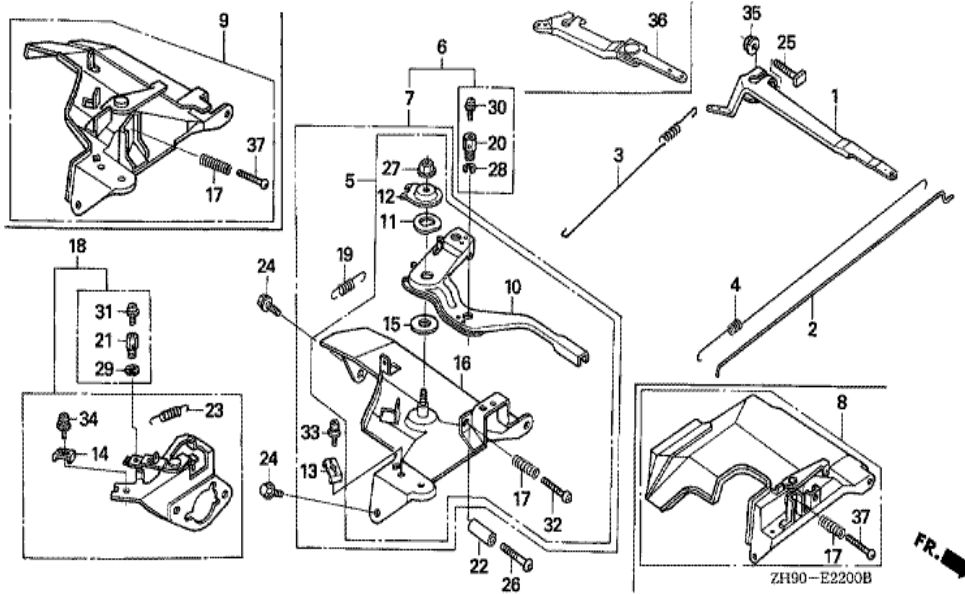
Ref	Partnumber	Description	GX270	Serial Numbers
001	19511-ZE2-000	FAN, COOLING	1	
004	28451-ZE2-W01	PULLEY, STARTER	1	
005	31100-ZE2-010	FLYWHEEL COMP.	1	
008	90201-ZE3-790	NUT, SPECIAL, 16MM	1	2432846
008	90201-ZE3-V00	NUT, SPECIAL, 16MM	1	2432845
009	90741-ZE2-000	KEY, SPECIAL WOODRUFF, 25X18	1	



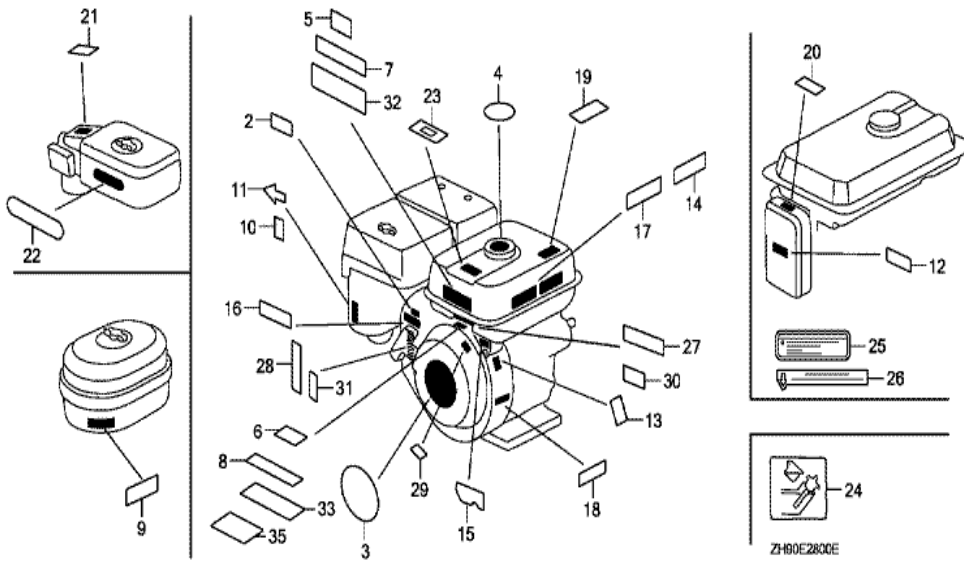
Ref	Partnumber	Description	GX270	Serial Numbers
001	12200-ZH9-405	HEAD COMP., CYLINDER	1	
002	12204-ZE2-306	GUIDE, IN. VALVE (O.S.)	(1)	
003	12205-ZE2-305	GUIDE, EX. VALVE (OS)	(1)	
004	12216-ZE2-300	CLIP, VALVE GUIDE	1	
005	12251-ZH9-000	GASKET, CYLINDER HEAD	1	
006	12310-ZE3-791	COVER COMP., HEAD (BREATHER TUBE JOINT)	1	
008	12391-ZE2-020	PACKING, HEAD COVER	1	
009	14775-ZE2-010	SEAT, VALVE SPRING	1	
011	90014-ZE2-000	BOLT, HEAD COVER	1	
012	90042-ZB7-000	BOLT, STUD, 8X111	2	
013	90012-KM9-000	BOLT, STUD, 8X34	2	
014	90441-ZE2-010	WASHER COMP., HEAD COVER	1	
015	94301-12200	DOWEL PIN, 12X20	2	
<u>Ref</u>	<u>Partnumber</u>	<u>Description</u>	<u>GX270</u>	<u>Serial Numbers</u>
016	95701-1008000	BOLT, FLANGE, 10X80	4	2438764
016	95725-1008000	BOLT, FLANGE, 10X80	4	2438763
017	98079-55846	PLUG, SPARK (BPR5ES) (NGK)	(1)	
017	98079-55855	PLUG, SPARK (W16EPR-U) (DENSO)	1	



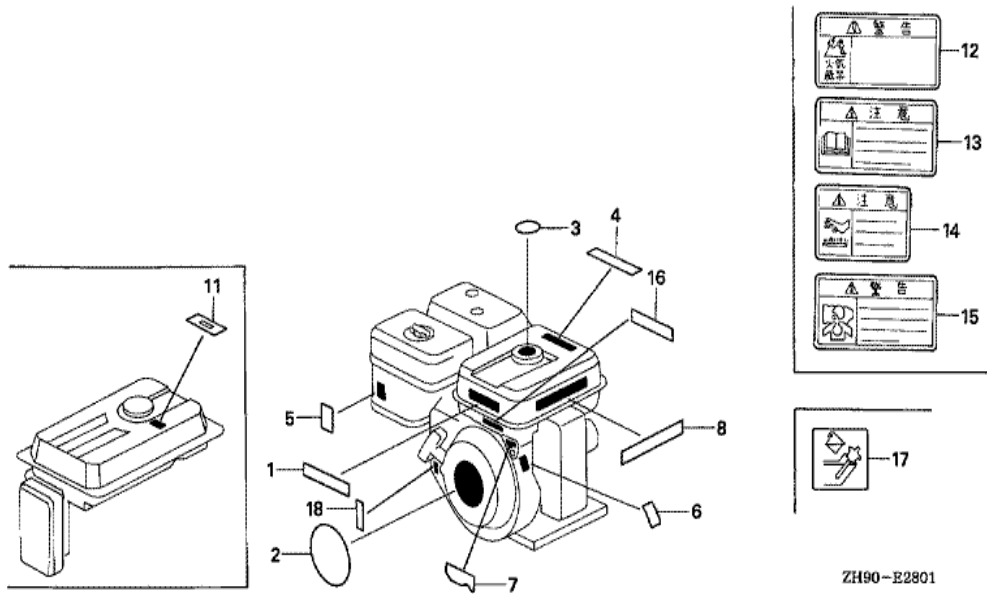
Ref	Partnumber	Description	GX270	Serial Numbers
001	30500-ZF6-W02	COIL ASSY., IGNITION	1	2437805
001	30500-ZF6-W03	COIL ASSY., IGNITION	1	2437806
003	30700-ZB7-013	CAP ASSY., NOISE SUPPRESSOR (NICHIIWA Y-E	1	
008	31512-ZE2-000	GROMMET, CORD	1	
010	36101-ZE1-010	CORD, STOP SWITCH (370MM)	1	
011	36103-ZE1-000	HOLDER, STOP SWITCH CORD	1	
013	90015-883-000	BOLT, FLANGE, 6X28 (CT200)	2	



Ref	Partnumber	Description	GX270	Serial Numbers
002	16555-ZB7-000	ROD, GOVERNOR	1	
003	16561-ZE2-000	SPRING, GOVERNOR (L=145.0MM) (WIRE DIAME	1	
004	16562-ZE2-000	SPRING, THROTTLE RETURN	1	
025	90015-ZE5-010	BOLT, GOVERNOR ARM	1	
035	94050-06000	NUT, FLANGE, 6MM	1	
036	16550-ZE2-700	ARM COMP., GOVERNOR	1	

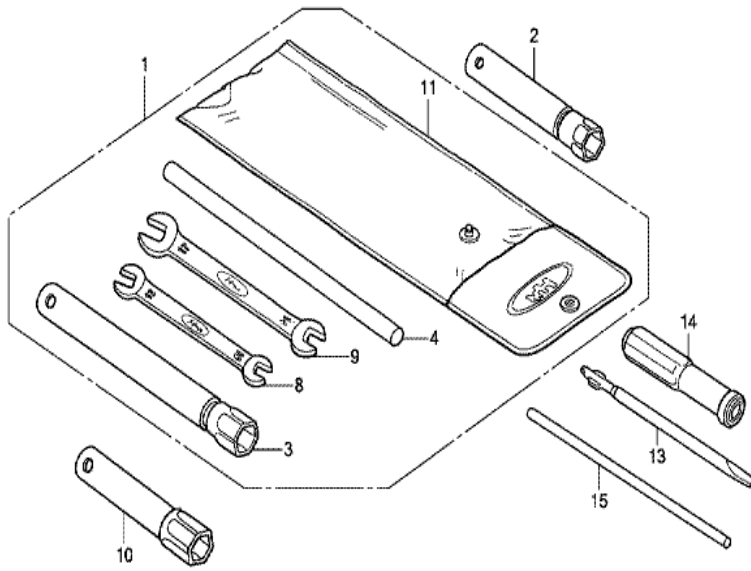


Ref	Partnumber	Description	GX270	Serial Numbers
030	87135-ZE2-020	LABEL, E-SPEC (15.5X27.5)	1	2406429
031	87114-ZH7-000	LABEL, WARNING (NOT CERTIFIED FOR SALE)	1	2401383
031	87114-ZH7-000	LABEL, WARNING (NOT CERTIFIED FOR SALE)	1	2401383



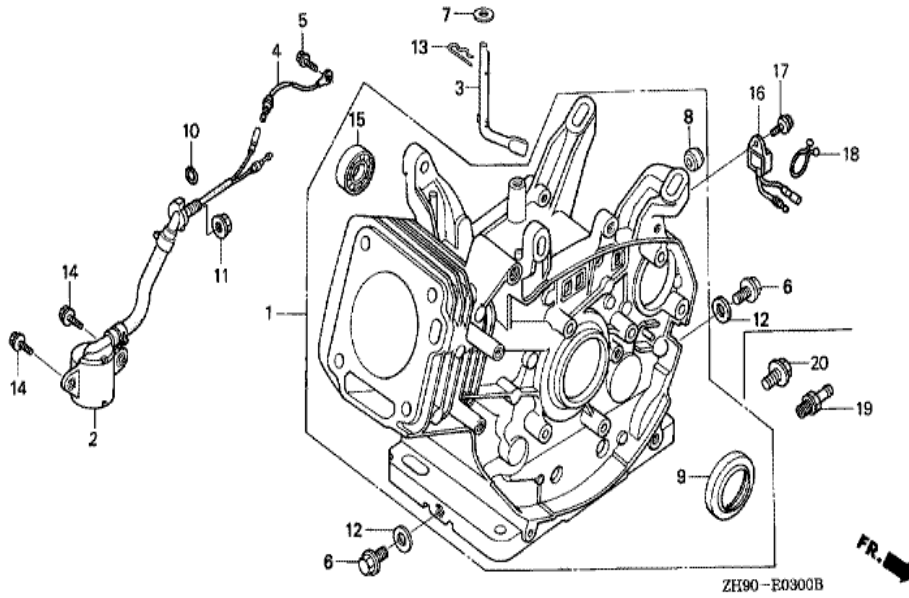
ZH90-E2801

Ref	Partnumber	Description	GX270	Serial Numbers
002	87521-ZH9-020	EMBLEM (GX270 9.0)	1	
011	87565-ZB4-A00	PLATE, FUEL INDICATION	1	
012	87561-733-J00	MARK, EX. GAS WARNING	1	
013	87106-737-J00	MARK, FUEL WARNING	1	
014	87150-ZH8-000	MARK, CAUTION (JAPANESE)	1	
015	87539-737-J00	MARK, HEAT CAUTION	1	
017	87594-ZB4-A00	MARK, OIL CAUTION	1	
018	87135-ZE2-010	LABEL, E-SPEC (EPA STANDARD) (15.5X60.0)	1	

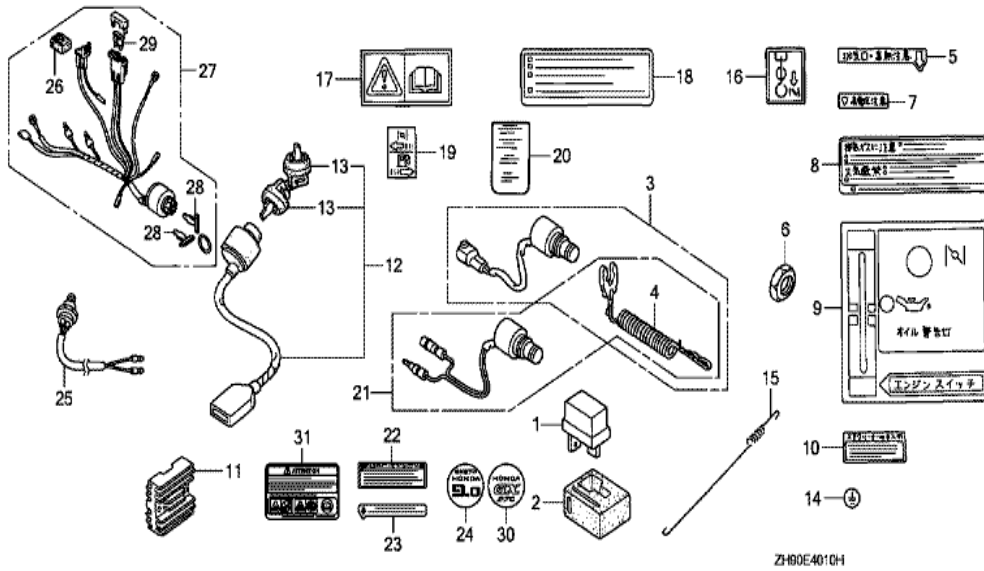


ZH90E2901A

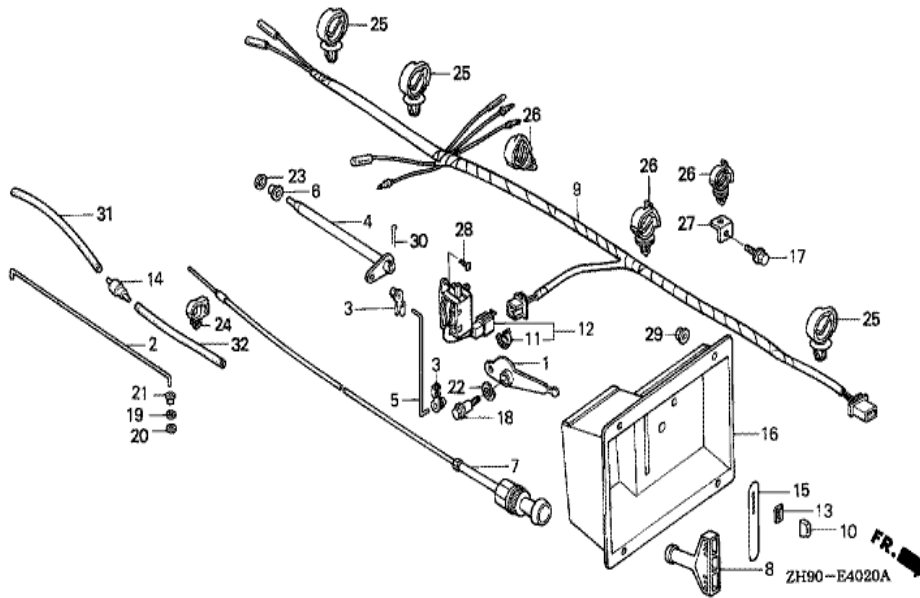
Ref	Partnumber	Description	GX270	Serial Numbers
008	99001-10120	SPANNER, 10X12	1	
010	99004-21003	WRENCH, BOX (P21)	1	
011	99008-02000	BAG, TOOL, 200MM	1	
013	99003-30000	DRIVER 3, MINUS SCREW (NO.2)	1	
014	99003-50000	GRIP, SCREW DRIVER	1	
015	99005-01000	BAR A, HANDLE	1	



<u>Ref</u>	<u>Partnumber</u>	<u>Description</u>	<u>GX270</u>	<u>Serial Numbers</u>
001	12000-ZH9-406	BARREL ASSY., CYLINDER (ALERT)	1	
002	15510-ZE2-043	SWITCH ASSY., OIL LEVEL	1	2438529
002	15510-ZE2-053	SWITCH ASSY., OIL LEVEL	1	2438530 2471791
002	35480-ZF6-003	SWITCH ASSY., OIL LEVEL	1	2471792
003	16541-ZE2-010	SHAFT, GOVERNOR ARM	1	
004	31161-ZE2-000	CORD, EARTH	1	
005	90013-883-000	BOLT, FLANGE, 6X12 (CT200)	1	
006	90131-883-000	BOLT, DRAIN PLUG, 12X15	2	
007	90446-KE1-000	WASHER, 8.2X17X0.8	1	
009	91201-890-003	OIL SEAL, 30X46X8	1	
010	91353-671-004	O-RING, 14MM (NOK)	1	
011	94050-10000	NUT, FLANGE, 10MM	1	
012	94109-12000	WASHER, DRAIN PLUG, 12MM	2	
<u>Ref</u>	<u>Partnumber</u>	<u>Description</u>	<u>GX270</u>	<u>Serial Numbers</u>
013	94251-10000	PIN, LOCK, 10MM	1	
014	95701-0601200	BOLT, FLANGE, 6X12	2	
016	34150-ZH7-003	ALERT UNIT, OIL	1	2440203
016	34150-ZH7-013	ALERT UNIT, OIL	1	2440204
017	90013-883-000	BOLT, FLANGE, 6X12 (CT200)	1	

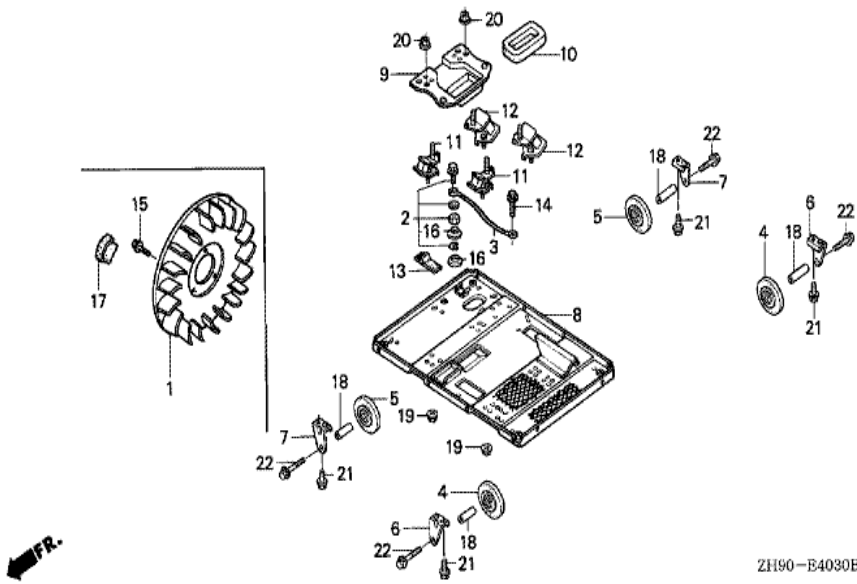


Ref	Partnumber	Description	GX270	Serial Numbers
005	87539-ZB2-000	MARK, EX. CAUTION	1	
007	87511-892-000	MARK V, CAUTION	1	
008	87522-892-000	MARK AB, CAUTION	1	
009	87528-ZB7-700	MARK, ENGINE CONTROL	1	2341608
009	87528-ZB7-701	MARK, ENGINE CONTROL	1	2341609
010	87533-ZB6-000	MARK, AIR CLEANER	1	
014	87534-892-640	MARK, EARTH	1	



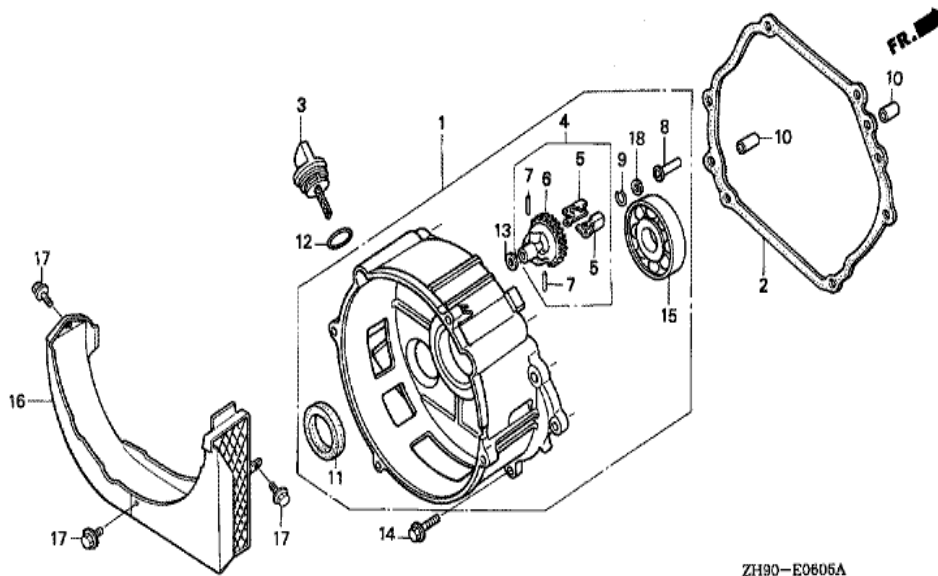
Ref	Partnumber	Description	GX270	Serial Numbers
001	16145-ZB7-700	LEVER COMP., ENGINE SWITCH	1	
002	16325-ZB7-700	ROD, GOVERNOR CONTROL PUSH	1	
003	16956-ZA7-000	JOINT, ROD	2	
004	16957-ZB7-700	ARM COMP., COCK CONTROL	1	
005	16958-ZB7-700	ROD, COCK CONTROL	1	
006	16960-ZB7-700	BUSH, COCK CONTROL ARM	1	
007	17950-ZB7-702	CABLE COMP., CHOKE	1	
008	28461-889-631	GRIP, STARTER	1	
009	32100-ZB7-700	HARNESS ASSY., SUB WIRE	1	
010	32343-892-003	KNOB, COCK LEVER	1	
011	32902-892-003	BAND	1	
012	36100-ZB7-701	SWITCH ASSY., KILL	1	
013	36106-892-003	BUSH, CONTROL KNOB	1	

<u>Ref</u>	<u>Partnumber</u>	<u>Description</u>	<u>GX270</u>	<u>Serial Numbers</u>
014	36135-ZV1-003	VALVE, DASHPOT CHECK	1	
015	63117-ZB7-700	SEAL, ENGINE SWITCH LEVER	1	
016	63140-ZB7-700ZB	CASE, RECOIL GRIP *R280 *	1	
017	90013-883-000	BOLT, FLANGE, 6X12 (CT200)	1	
018	90045-PD1-000	BOLT, SPECIAL	1	
019	90310-ZB7-701	NUT, PUSH, 2.6	1	
020	90433-ZE2-700	WASHER, THRUST, 2.7X8	1	
021	90434-ZB7-700	COLLAR, PUSH ROD	1	
022	90511-735-801	WASHER, WAVE, 10MM	1	
023	90523-GB6-920	WASHER, CENTER COVER	1	
024	90650-SD9-003	CLIP, WIRE HARNESS	1	
025	90683-SAO-003	CLIP, WIRE HARNESS, 25MM	3	
026	90691-ZB7-003	CLIP, HARNESS	3	
027	90700-ZB7-000	BASE, CORD CLIP	1	
028	93500-030080A	SCREW, PAN, 3X8	2	
029	94050-06000	NUT, FLANGE, 6MM	4	
030	94201-20180	PIN, SPLIT, 2.0X18	1	
031	95005-3508510	TUBE, 3.5X85 (95005-35001-10M)	1	
032	95005-3517510	TUBE, 3.5X175 (95005-35001-10M)	1	



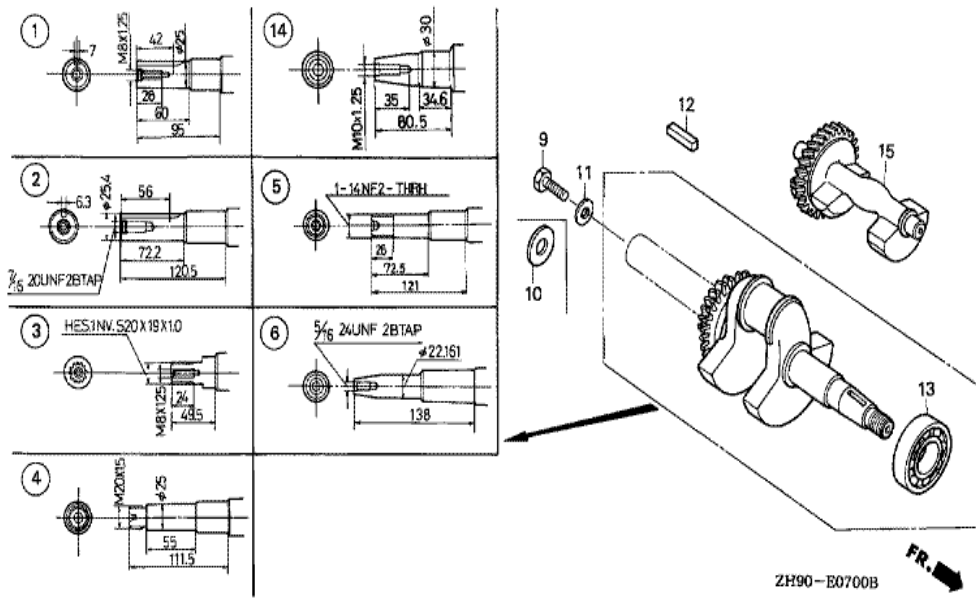
ZH90-E4030B

<u>Ref</u>	<u>Partnumber</u>	<u>Description</u>	<u>GX270</u>	<u>Serial Numbers</u>
001	31112-ZB4-003	FAN, GENERATOR COOLING	1	
002	32510-ZB6-003	TERMINAL ASSY., EARTH	1	
003	32610-ZB7-000	CABLE, EARTH	1	
005	42710-ZS9-A01	WHEEL COMP. (100X32)	2	
006	42721-ZB6-000	BRACKET, R. WHEEL	2	
007	42725-ZB6-000	BRACKET, L. WHEEL	2	
008	50310-ZB7-000ZD	FRAME COMP., UNDER *NH105 *	1	
009	68310-ZB7-000	GUIDE, UNDER AIR	1	
010	68312-ZB7-000	SEAL, UNDER AIR GUIDE	1	
011	68325-ZB4-000	RUBBER, BOTTOM	2	
012	68325-899-000	RUBBER, BOTTOM	2	
013	89011-192-700	BAND, TOOL SETTING	1	
014	90013-883-000	BOLT, FLANGE, 6X12 (CT200)	1	
<u>Ref</u>	<u>Partnumber</u>	<u>Description</u>	<u>GX270</u>	<u>Serial Numbers</u>
015	90032-875-003	SCREW, TAPPING, 5X14	3	
016	90381-812-710	NUT, SPECIAL, 6MM	2	
017	90855-ZB4-000	GROMMET, CRANKCASE	1	
018	91554-ZB6-000	COLLAR, WHEEL SHAFT	4	
019	94050-08000	NUT, FLANGE, 8MM	4	
020	94050-10000	NUT, FLANGE, 10MM	4	
021	95701-0801600	BOLT, FLANGE, 8X16	4	
022	95723-0805500	BOLT, FLANGE, 8X55	4	

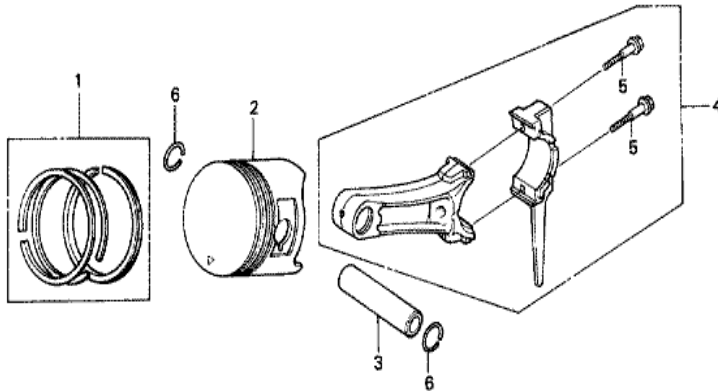


ZH90-E0605A

<u>Ref</u>	<u>Partnumber</u>	<u>Description</u>	<u>GX270</u>	<u>Serial Numbers</u>
001	11300-ZE2-406	COVER ASSY., CRANKCASE	1	
002	11381-ZE2-801	PACKING, CASE COVER	1	
003	15620-ZE2-700	CAP, OIL FILLER	1	
004	16510-ZE2-000	GOVERNOR ASSY.	1	
005	16511-ZE2-000	WEIGHT, GOVERNOR	2	
006	16512-ZE2-000	HOLDER, GOVERNOR WEIGHT	1	
007	16513-ZE2-000	PIN, GOVERNOR WEIGHT	2	
008	16531-Z0A-000	SLIDER, GOVERNOR	1	
009	90602-ZE1-000	CLIP, GOVERNOR HOLDER	1	
010	90701-HC4-000	DOWEL PIN, 8X12	2	
011	91201-890-003	OIL SEAL, 30X46X8	1	
012	91301-805-000	O-RING, 26X2.7	1	
013	94101-06800	WASHER, PLAIN, 6MM	1	
<u>Ref</u>	<u>Partnumber</u>	<u>Description</u>	<u>GX270</u>	<u>Serial Numbers</u>
014	95701-0803500	BOLT, FLANGE, 8X35	7	
015	96100-6206000	BEARING, RADIAL BALL, 6206	1	



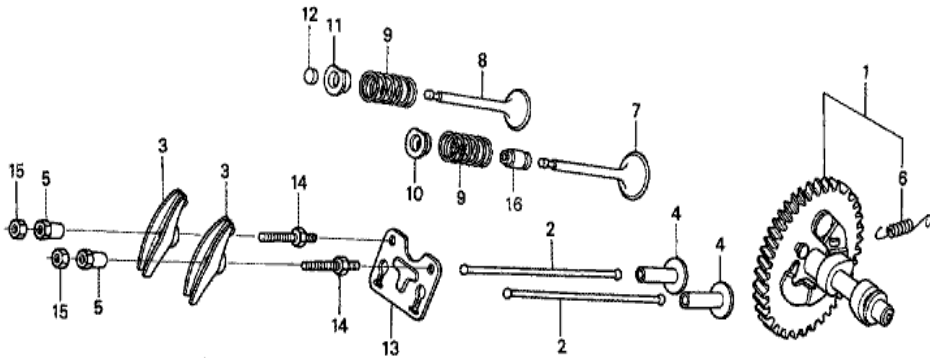
Ref	Partnumber	Description	GX270	Serial Numbers
013	91001-ZH9-003	BEARING, RADIAL BALL (6206 SH)	1	
014	13310-ZH9-700	CRANKSHAFT COMP.	1	2395177
014	13310-ZH9-701	CRANKSHAFT COMP.	1	2395178



ZH90-E0800A

FR. →

<u>Ref</u>	<u>Partnumber</u>	<u>Description</u>	<u>GX270</u>	<u>Serial Numbers</u>
001	13010-Z5H-004	RING SET, PISTON (STD.) (TPR)	1	2456211
001	13010-ZE8-601	RING SET, PISTON (STD.) (NIPPON)	1	2456210
001	13010-ZE8-602	RING SET, PISTON (STD.) (TEIKOKU)	1	2456210
001	13011-Z5H-004	RING SET, PISTON (0.25) (TPR)	(1)	2456211
001	13011-ZE8-601	RING SET, PISTON (0.25) (NIPPON)	(1)	2456210
001	13011-ZE8-602	RING SET, PISTON (0.25) (TEIKOKU)	(1)	2456210
001	13012-Z5H-004	RING SET, PISTON (0.50) (TPR)	(1)	2456211
001	13012-ZE8-601	RING SET, PISTON (0.50) (NIPPON)	(1)	2456210
001	13012-ZE8-602	RING SET, PISTON (0.50) (TEIKOKU)	(1)	2456210
001	13013-Z5H-004	RING SET, PISTON (0.75) (TPR)	(1)	2456211
001	13013-ZE8-601	RING SET, PISTON (0.75) (NIPPON)	(1)	2456210
001	13013-ZE8-602	RING SET, PISTON (0.75) (TEIKOKU)	(1)	2456210
002	13101-ZH9-000	PISTON (STD.)	1	2456210
<u>Ref</u>	<u>Partnumber</u>	<u>Description</u>	<u>GX270</u>	<u>Serial Numbers</u>
002	13101-ZH9-010	PISTON (STD.)	1	2456211
002	13102-ZH9-000	PISTON (0.25)	(1)	2456210
002	13102-ZH9-010	PISTON (0.25)	(1)	2456211
002	13103-ZH9-000	PISTON (0.50)	(1)	2456210
002	13103-ZH9-010	PISTON (0.50)	(1)	2456211
002	13104-ZH9-000	PISTON (0.75)	(1)	2456210
002	13104-ZH9-010	PISTON (0.75)	(1)	2456211
003	13111-ZE2-000	PIN, PISTON	1	
004	13200-ZE2-010	ROD ASSY., CONNECTING (STD.)	1	
004	13200-ZE2-305	ROD ASSY., CONNECTING (0.25 UNDER SIZE)	(1)	
005	90001-ZE8-000	BOLT, CONNECTING ROD	2	
006	90551-ZE1-000	CLIP, PISTON PIN, 18MM	2	



ZH90-E0900A



<u>Ref</u>	<u>Partnumber</u>	<u>Description</u>	<u>GX270</u>	<u>Serial Numbers</u>
001	14100-ZH9-010	CAMSHAFT ASSY.	1	1268285 1471451
002	14410-ZE2-013	ROD, PUSH	2	
003	14431-ZE2-010	ARM, VALVE ROCKER	2	
004	14441-ZE2-000	LIFTER, VALVE	2	
005	14451-ZE1-013	PIVOT, ROCKER ARM	2	
006	14568-ZE1-000	SPRING, WEIGHT RETURN	1	
007	14711-ZE2-000	VALVE, IN.	1	
008	14721-ZE2-000	VALVE, EX.	1	
009	14751-ZE2-003	SPRING, VALVE	2	
010	14771-ZE2-000	RETAINER, IN. VALVE SPRING	1	
011	14773-ZE2-000	RETAINER, EX. VALVE SPRING	1	
012	14781-ZE2-000	ROTATOR, VALVE	1	
013	14791-ZE2-010	GUIDE, PUSH ROD	1	
<u>Ref</u>	<u>Partnumber</u>	<u>Description</u>	<u>GX270</u>	<u>Serial Numbers</u>
014	90012-ZE0-010	BOLT, PIVOT, 8MM	2	
015	90206-ZE1-000	NUT, PIVOT ADJUSTING	2	
016	12209-ZE8-003	SEAL, VALVE STEM	1	