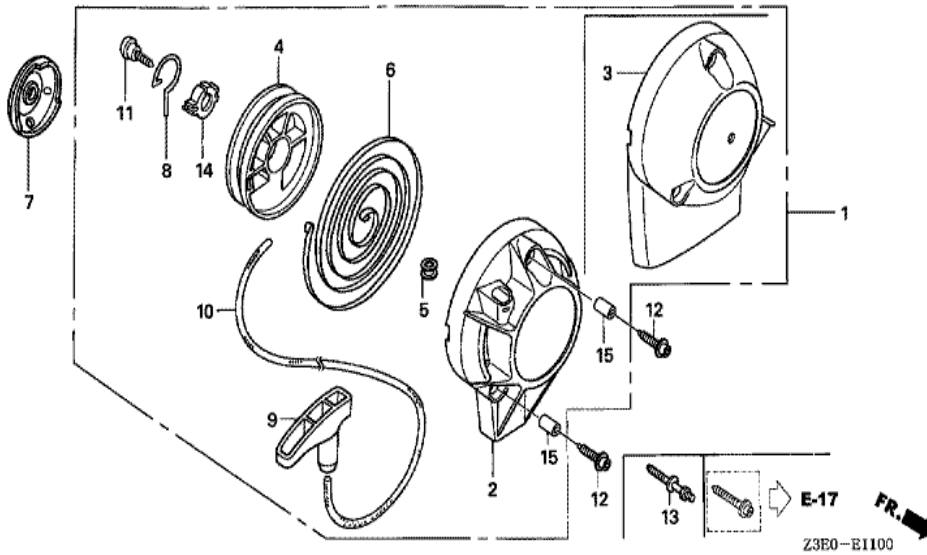


Z3E0-E1000

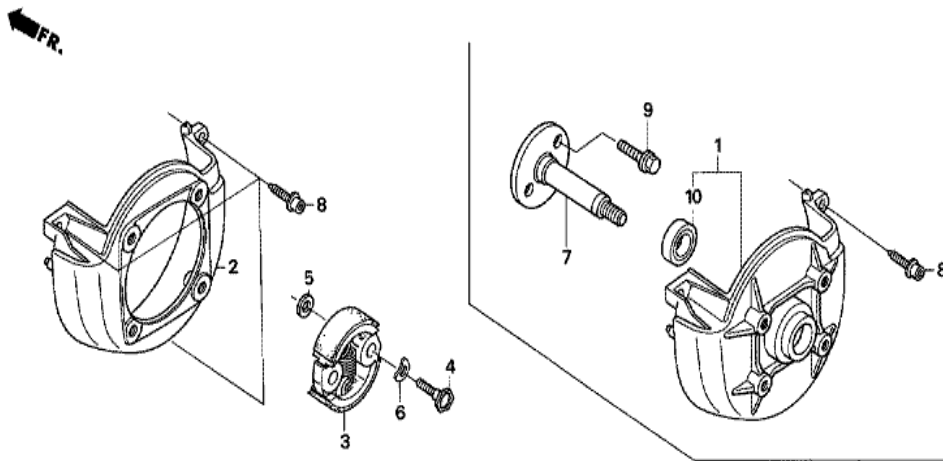


| Ref | Partnumber | Description | GX25T | Serial Numbers |
|-----|---------------|----------------------------|-------|----------------|
| 001 | 12209-Z3E-003 | SEAL, VALVE STEM | 1 | |
| 002 | 14126-Z0H-003 | ROLLER, 4X29.8 | 1 | |
| 003 | 14320-Z0H-010 | PULLEY COMP., CAMSHAFT | 1 | |
| 004 | 14400-Z3E-013 | BELT, TIMING (71ZU5 G-310) | 1 | |
| 005 | 14711-Z0H-800 | VALVE, IN. (HI) | 1 | |
| 005 | 14711-Z3E-000 | VALVE, IN. (EI) | 1 | |
| 006 | 14721-Z0H-800 | VALVE, EX. (HE) | 1 | |
| 006 | 14721-Z3E-000 | VALVE, EX. (EE) | 1 | |
| 007 | 14751-Z0H-000 | SPRING, VALVE | 2 | |
| 008 | 14771-Z0H-000 | RETAINER, VALVE SPRING | 2 | |



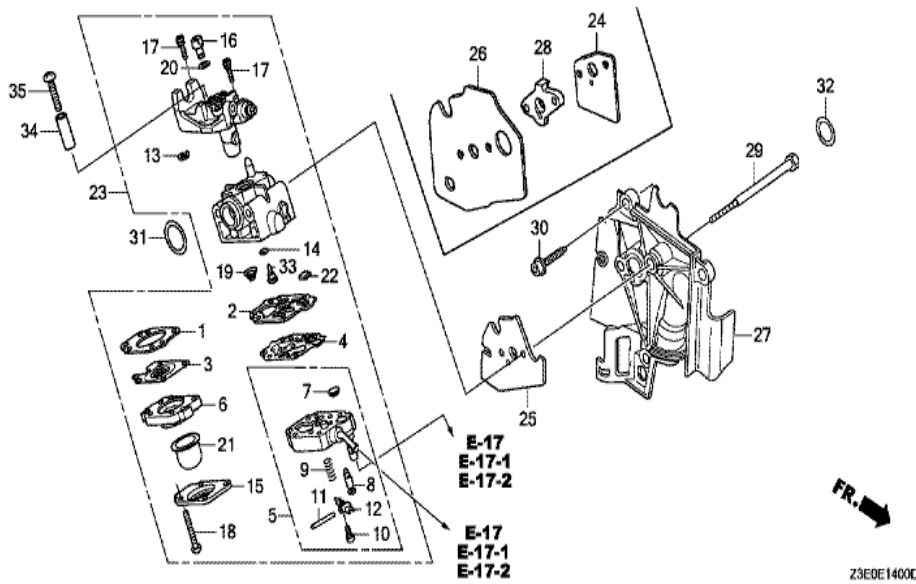
Z3E0-E1100

| Ref | Partnumber | Description | GX25T | Serial Numbers |
|-----|---------------|------------------------|-------|----------------|
| 001 | 28400-ZOH-003 | STARTER ASSY., RECOIL | 1 | |
| 002 | 28414-ZOH-003 | CASE, RECOIL STARTER | 1 | |
| 004 | 28421-ZOH-003 | REEL, RECOIL STARTER | 1 | |
| 005 | 28433-ZM3-003 | GUIDE, ROPE | 1 | |
| 006 | 28442-ZOH-003 | SPRING, RECOIL STARTER | 1 | |
| 007 | 28451-ZOH-003 | PULLEY, RECOIL STARTER | 1 | |
| 008 | 28459-ZOH-003 | ARM, SWING | 1 | |
| 009 | 28461-ZM3-003 | KNOB, RECOIL STARTER | 1 | |
| 010 | 28462-ZM3-003 | ROPE, RECOIL STARTER | 1 | |
| 011 | 90012-ZM3-003 | SCREW, SETTING | 1 | |
| 012 | 90018-ZOH-003 | BOLT, SOCKET, 5X16 | 3 | |
| 014 | 91504-ZM3-003 | COLLAR | 1 | |
| 015 | 91506-ZM3-000 | COLLAR A, HEAD COVER | 3 | |



Z3E0-E1200

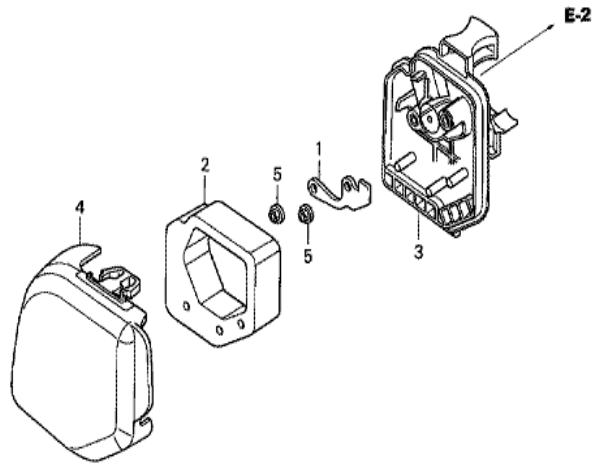
| Ref | Partnumber | Description | GX25T | Serial Numbers |
|-----|---------------|------------------------------|-------|----------------|
| 001 | 19610-Z0H-801 | COVER COMP., FAN | 1 | |
| 007 | 40210-Z0H-800 | SHAFT COMP., P.T.O. | 1 | |
| 008 | 90009-Z0H-003 | BOLT, SOCKET, 5X20 | 3 | |
| 009 | 96001-0602200 | BOLT, FLANGE, 6X22 | 2 | |
| 010 | 96150-6001010 | BEARING, RADIAL BALL, 6001UU | 1 | |



Z3E0E1400D

| Ref | Partnumber | Description | GX25T | Serial Numbers |
|-----|---------------|----------------------------|-------|----------------|
| 001 | 16010-ZM3-004 | GASKET, METERING DIAPHRAGM | 1 | |
| 002 | 16011-Z0H-013 | GASKET, PUMP | 1 | |
| 003 | 16013-Z0H-003 | DIAPHRAGM ASSY., METERING | 1 | |
| 004 | 16014-ZM3-004 | DIAPHRAGM, PUMP | 1 | |
| 005 | 16015-Z0H-013 | BODY ASSY., PUMP | 1 | WYB 21B |
| 005 | 16015-Z6J-003 | BODY ASSY., PUMP | 1 | WYB 35 |
| 006 | 16017-ZM3-004 | BODY ASSY., AIR PURGE | 1 | |
| 007 | 16018-ZM3-802 | SCREEN, INLET | 1 | |
| 008 | 16019-ZM3-004 | VALVE, INLET NEEDLE | 1 | |
| 009 | 16020-ZM3-004 | SPRING, METERING LEVER | 1 | |
| 010 | 16021-ZM3-004 | SCREW, METERING LEVER PIN | 1 | |
| 011 | 16022-ZM3-014 | PIN, METERING LEVER | 1 | |
| 012 | 16023-ZM3-004 | LEVER, METERING | 1 | |

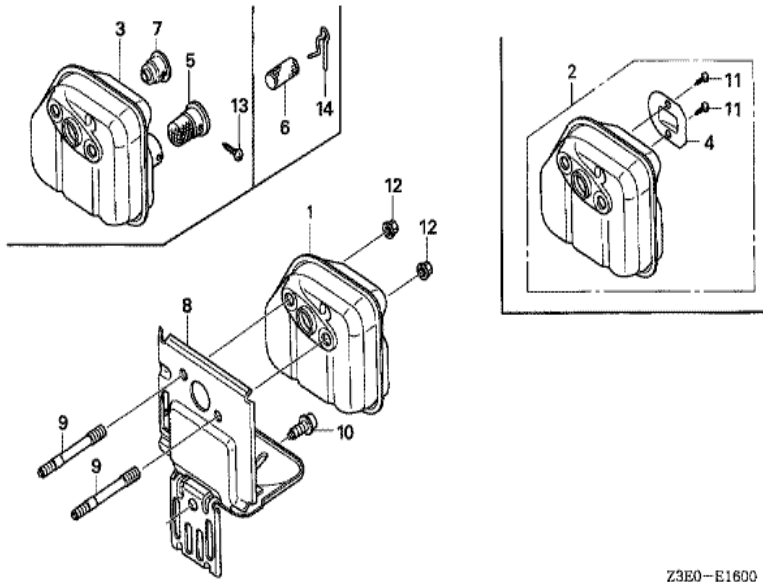
| <u>Ref</u> | <u>Partnumber</u> | <u>Description</u> | <u>GX25T</u> | <u>Serial Numbers</u> |
|------------|-------------------|----------------------------|--------------|-----------------------|
| 013 | 16024-ZOH-003 | RING, RETAINING | 1 | |
| 014 | 16025-ZM3-004 | O-RING | 1 | |
| 015 | 16026-ZM3-004 | COVER, PRIMER PUMP | 1 | |
| 016 | 16027-ZM3-004 | SWIVEL | 1 | |
| 017 | 16028-ZM3-004 | SCREW, THROTTLE COLLAR | 2 | |
| 018 | 16029-ZM3-004 | SCREW, PUMP COVER | 4 | |
| 019 | 16030-ZM3-004 | SPRING, PUMP | 1 | |
| 020 | 16031-ZM3-004 | WASHER | 1 | |
| 021 | 16032-ZM3-004 | PUMP, PRIMER | 1 | |
| 022 | 16035-ZM3-802 | FILTER, FUEL INLET | 1 | |
| 023 | 16100-ZOH-G93 | CARBURETOR ASSY. (WYB 21B) | 1 | 2216307 |
| 023 | 16100-Z6J-801 | CARBURETOR ASSY. (WYB 35) | 1 | 2216306 |
| 024 | 16221-ZM3-000 | PACKING, CARBURETOR | 1 | |
| 026 | 16222-ZOH-800 | PACKING, SHROUD | 1 | |
| 027 | 19631-ZOH-000 | SHROUD | 1 | |
| 028 | 19632-ZOH-800 | SPACER, SHROUD | 1 | |
| 029 | 90014-ZOH-801 | BOLT, 5X59 | 2 | |
| 030 | 90018-ZOH-003 | BOLT, SOCKET, 5X16 | 3 | |
| 031 | 91301-ZM3-000 | O-RING, 14.8X2.4 | 1 | |
| 032 | 91308-Z3E-000 | O-RING, 12.3X2.4 | 1 | |
| 033 | 99101-ZOH0320 | JET (#32) | (1) | WYB 35 |
| 033 | 99101-ZM50330 | JET (#33) | (1) | |
| 033 | 99101-ZM50340 | JET (#34) | (1) | WYB 21B |
| 033 | 99101-ZM50350 | JET (#35) | 1 | WYB 21B |



Z3E0-E1500

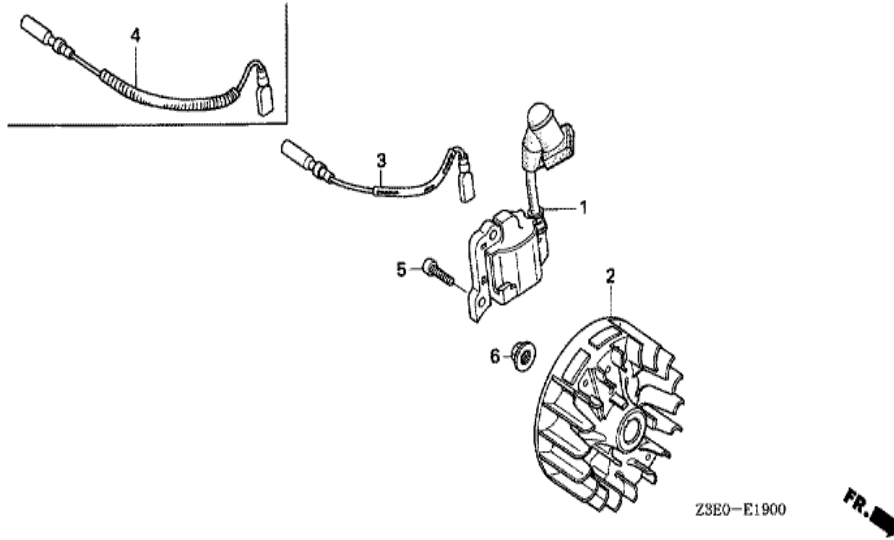


| Ref | Partnumber | Description | GX25T | Serial Numbers |
|-----|---------------|-------------------------|-------|----------------|
| 001 | 17204-Z0H-000 | PLATE, OIL TRAP | 1 | |
| 002 | 17211-Z0H-000 | ELEMENT, AIR CLEANER | 1 | |
| 003 | 17220-Z0H-010 | CASE COMP., AIR CLEANER | 1 | 2455343 |
| 003 | 17220-Z0H-020 | CASE COMP., AIR CLEANER | 1 | 2455344 |
| 004 | 17231-Z0H-010 | COVER, AIR CLEANER | 1 | |
| 005 | 94050-05000 | NUT, FLANGE, 5MM | 2 | |

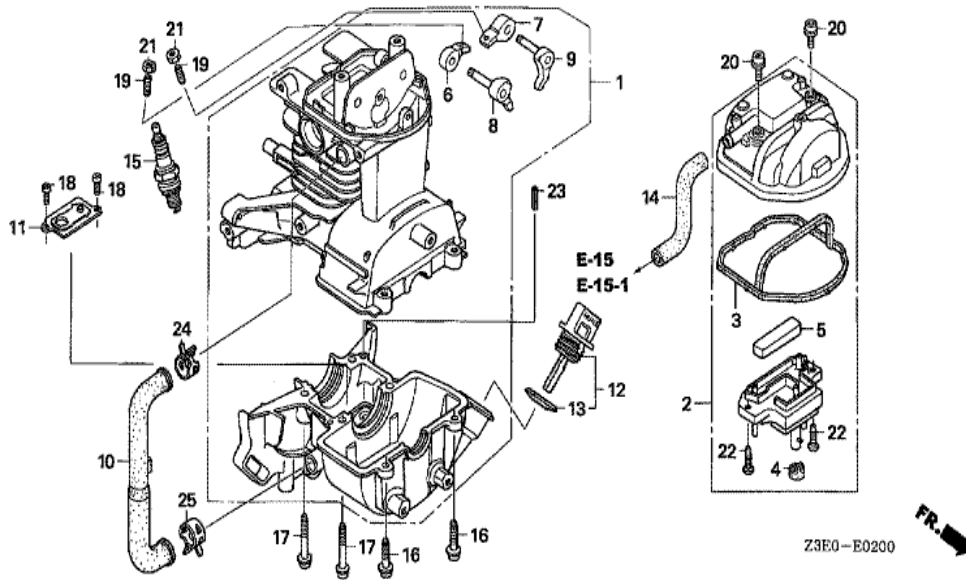


Z3E0-E1600

| Ref | Partnumber | Description | GX25T | Serial Numbers |
|-----|---------------|-------------------------|-------|----------------|
| 002 | 18310-ZOH-800 | MUFFLER COMP. | (1) | 2455343 |
| 002 | 18310-ZOH-801 | MUFFLER COMP. | 1 | 2455344 |
| 004 | 18350-ZOH-800 | ARRESTER COMP., SPARK | 1 | |
| 008 | 18515-ZOH-000 | GUIDE, AIR EX. | 1 | |
| 009 | 90001-ZOH-003 | BOLT, STUD, 5X52 | 2 | |
| 010 | 90011-ZOH-003 | BOLT, SOCKET, 5X10 (CT) | 1 | |
| 011 | 90055-ZE1-000 | SCREW, TAPPING, 4X6 | 2 | |
| 012 | 90136-SM4-901 | NUT, SELF-LOCK, 5MM | 2 | |



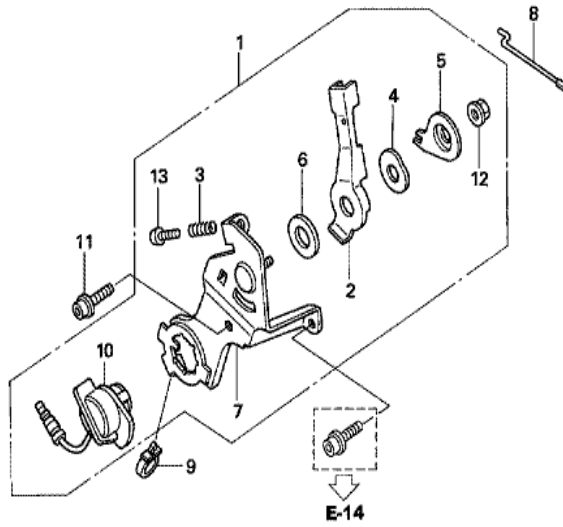
| Ref | Partnumber | Description | GX25T | Serial Numbers |
|-----|---------------|----------------------|-------|----------------|
| 001 | 30500-Z3E-004 | COIL ASSY., IGNITION | 1 | 3016145 |
| 001 | 30500-Z3E-013 | COIL ASSY., IGNITION | 1 | 3016144 |
| 002 | 31110-Z3E-811 | FLYWHEEL COMP. | 1 | 3016144 |
| 002 | 31110-Z3E-812 | FLYWHEEL COMP. | 1 | 3016145 |
| 004 | 32195-Z0H-800 | CORD, STOP SWITCH | 1 | |
| 005 | 90012-Z3E-003 | BOLT, SOCKET, 4X14 | 2 | |
| 006 | 90355-427-770 | NUT, FLANGE, 7MM | 1 | |



Z3E0-E0200



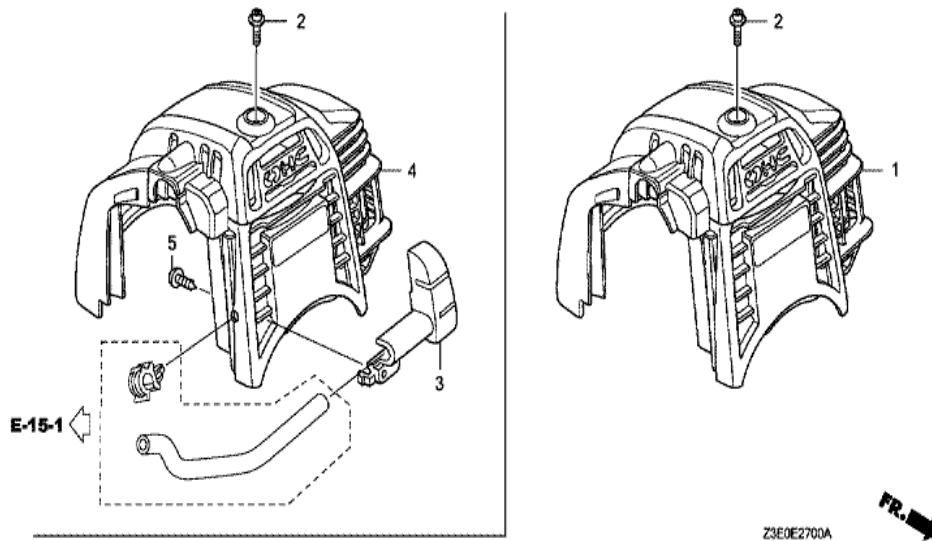
| <u>Ref</u> | <u>Partnumber</u> | <u>Description</u> | <u>GX25T</u> | <u>Serial Numbers</u> |
|------------|-------------------|-------------------------------|--------------|-----------------------|
| 001 | 10100-Z3E-405 | CRANKCASE SET | 1 | |
| 002 | 12310-Z0H-010 | COVER, CYLINDER HEAD | 1 | |
| 003 | 12312-Z0H-300 | SEAL, HEAD COVER | 1 | |
| 004 | 12314-Z0H-300 | GROMMET, HEAD COVER | 1 | |
| 005 | 12367-Z0H-000 | FILTER, BREATHER | 1 | |
| 006 | 14431-Z0H-003 | ARM, IN. VALVE ROCKER | 1 | |
| 007 | 14441-Z0H-003 | ARM, EX. VALVE ROCKER | 1 | |
| 008 | 14730-Z0H-000 | LIFTER COMP., IN. VALVE | 1 | |
| 009 | 14740-Z0H-000 | LIFTER COMP., EX. VALVE | 1 | |
| 010 | 15422-Z0H-000 | TUBE, OIL | 1 | |
| 011 | 15510-Z3E-000 | PLATE ASSY., OIL OUTLET VALVE | 1 | |
| 012 | 15600-Z0T-800 | CAP ASSY., OIL FILLER | 1 | |
| 013 | 15625-Z0T-800 | PACKING, OIL FILLER CAP | 1 | |
| <u>Ref</u> | <u>Partnumber</u> | <u>Description</u> | <u>GX25T</u> | <u>Serial Numbers</u> |
| 014 | 15721-Z0H-800 | TUBE, BREATHER | 1 | |
| 015 | 31914-Z0H-003 | PLUG, SPARK (CMR4H) (NGK) | (1) | |
| 015 | 31915-Z0H-003 | PLUG, SPARK (CMR5H) (NGK) | 1 | |
| 015 | 31916-Z0H-003 | PLUG, SPARK (CMR6H) (NGK) | (1) | |
| 016 | 90009-Z0H-003 | BOLT, SOCKET, 5X20 | 2 | |
| 017 | 90010-Z0H-003 | BOLT, SOCKET, 5X30 | 4 | |
| 018 | 90013-Z3E-003 | SCREW, PAN, 4X8 | 2 | |
| 019 | 90017-Z0H-000 | SCREW, TAPPET ADJUSTING | 2 | |
| 020 | 90019-Z0H-003 | BOLT, SOCKET, 5X12 | 2 | |
| 021 | 90206-ZM3-000 | NUT, TAPPET ADJUSTING | 2 | |
| 022 | 93901-34320 | SCREW, TAPPING, 4X12 | 2 | |
| 023 | 94305-40102 | PIN, SPRING, 4X10 | 1 | |
| 024 | 95002-4120008 | CLAMP, TUBE (D12) | 1 | |
| 025 | 95002-4130004 | CLAMP, TUBE (D13) | 1 | |



Z3E0-E2200

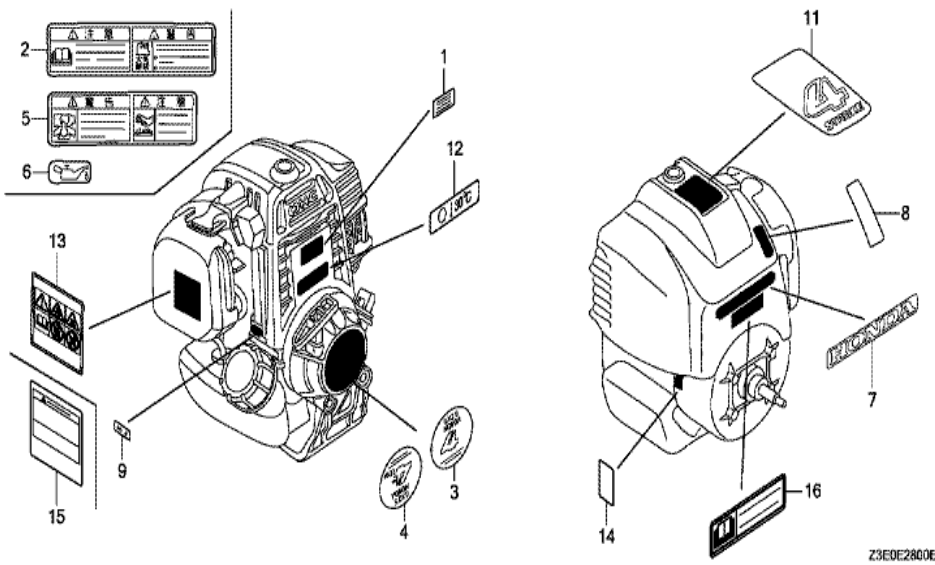
FR. →

| Ref | Partnumber | Description | GX25T | Serial Numbers |
|-----|---------------|-------------------------------|-------|----------------|
| 001 | 16500-Z0H-801 | CONTROL ASSY. | 1 | |
| 002 | 16571-Z0H-800 | LEVER, CONTROL | 1 | |
| 003 | 16571-892-000 | SPRING, CONTROL ADJUSTING | 1 | |
| 004 | 16574-ZE1-000 | SPRING, LEVER | 1 | |
| 005 | 16575-ZH8-000 | WASHER, CONTROL LEVER | 1 | |
| 006 | 16578-ZE1-000 | SPACER, CONTROL LEVER | 1 | |
| 007 | 16580-Z0H-800 | BASE COMP., CONTROL | 1 | |
| 008 | 17841-Z0H-800 | ROD, THROTTLE | 1 | |
| 009 | 30701-883-000 | CLIP, HIGH TENSION CORD (8MM) | 1 | |
| 010 | 35120-Z0D-V81 | SWITCH ASSY., ENGINE STOP | 1 | |
| 011 | 90011-Z0H-801 | BOLT, SOCKET, 5X10 | 1 | |
| 012 | 90114-SA0-000 | NUT, SELF-LOCK, 6MM | 1 | |
| 013 | 93500-050250A | SCREW, PAN, 5X25 | 1 | |



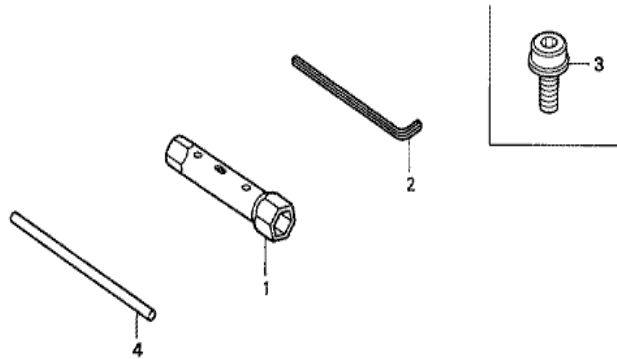
Z3E0E2700A

| Ref | Partnumber | Description | GX25T | Serial Numbers |
|-----|-----------------|--------------------------|-------|----------------|
| 001 | 19720-Z0H-000ZB | COVER COMP., TOP *R280 * | 1 | |
| 002 | 90015-Z0H-003 | BOLT, TOP COVER | 1 | |



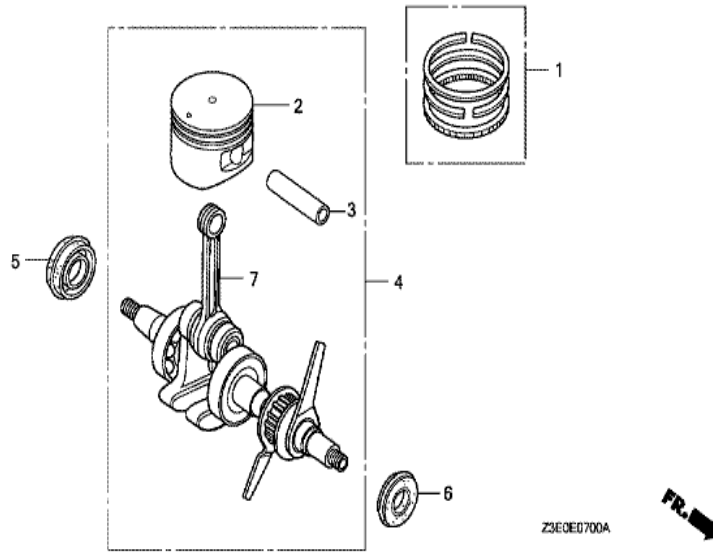
Z3E0E2800E

| Ref | Partnumber | Description | GX25T | Serial Numbers |
|-----|---------------|---|-------|----------------|
| 003 | 87521-Z3E-010 | MARK, EMBLEM | 1 | |
| 006 | 87531-YE9-000 | MARK, OIL CAUTION | 1 | |
| 008 | 87532-ZH7-000 | MARK, THROTTLE INDICATION | 1 | |
| 009 | 87601-Z3E-880 | MARK, TYPE (W3C) | 1 | |
| 011 | 87660-Z0H-000 | MARK (4-STROKE) | 1 | |
| 013 | 87519-Z6J-000 | MARK, OPERATOR CAUTION (PICTOGRAPH) | 1 | |
| 014 | 87114-Z3E-000 | LABEL, WARNING (NOT CERTIFIED FOR SALE) | 1 | |
| 015 | 87516-Z6J-000 | MARK, OPERATOR CAUTION (ENGLISH) | 1 | |
| 015 | 87516-Z6J-800 | MARK, OPERATOR CAUTION (FRENCH) | 1 | |
| 016 | 87522-ZK6-800 | LABEL, CAUTION (CHINA) | 1 | 2121631 |



Z3E0-E2900

| Ref | Partnumber | Description | GX25T | Serial Numbers |
|-----|---------------|----------------------|-------|----------------|
| 001 | 89216-VJ3-J10 | WRENCH, PLUG (16X19) | (1) | |
| 002 | 89221-KW3-000 | WRENCH, HEX., 4MM | (1) | |
| 004 | 99005-01000 | BAR A, HANDLE | (1) | |



| Ref | Partnumber | Description | GX25T | Serial Numbers |
|-----|---------------|-------------------|-------|----------------|
| 001 | 13010-Z0H-000 | RING SET, PISTON | 1 | |
| 002 | 13101-Z0H-010 | PISTON | 1 | 2571731 |
| 002 | 13101-Z3E-000 | PISTON (STD.) | 1 | 2571732 |
| 003 | 13111-Z0H-000 | PIN, PISTON | 1 | |
| 004 | 13310-Z0H-802 | CRANKSHAFT COMP. | 1 | 2571731 |
| 004 | 13310-Z3E-800 | CRANKSHAFT COMP. | 1 | 2571732 |
| 005 | 91211-Z3E-003 | OIL SEAL, 12X24X5 | 1 | |
| 006 | 91212-Z3E-003 | OIL SEAL, 10X20X5 | 1 | |
| 007 | 13310-Z0H-306 | CRANKSHAFT COMP. | (1) | 2571731 |
| 007 | 13310-Z3E-306 | CRANKSHAFT COMP. | (1) | 2571732 |