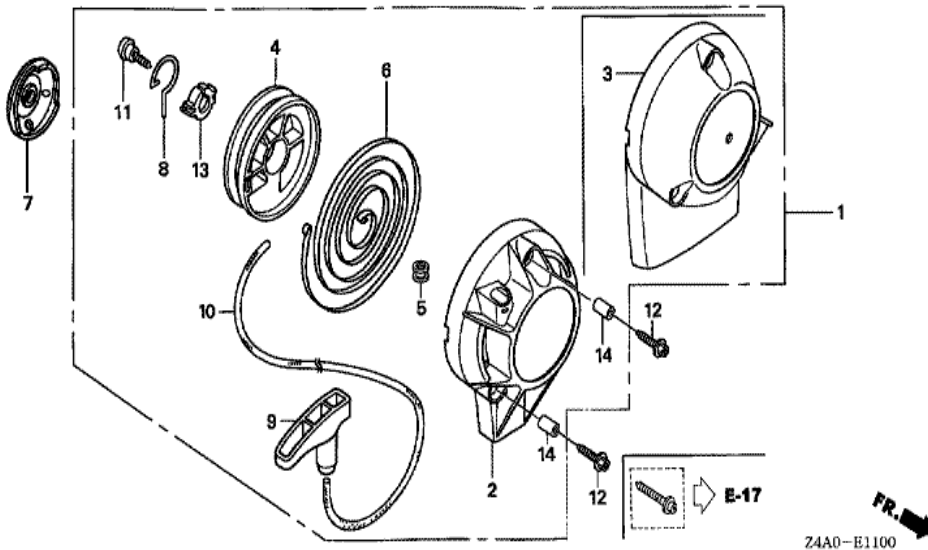


Z4A0-E1000

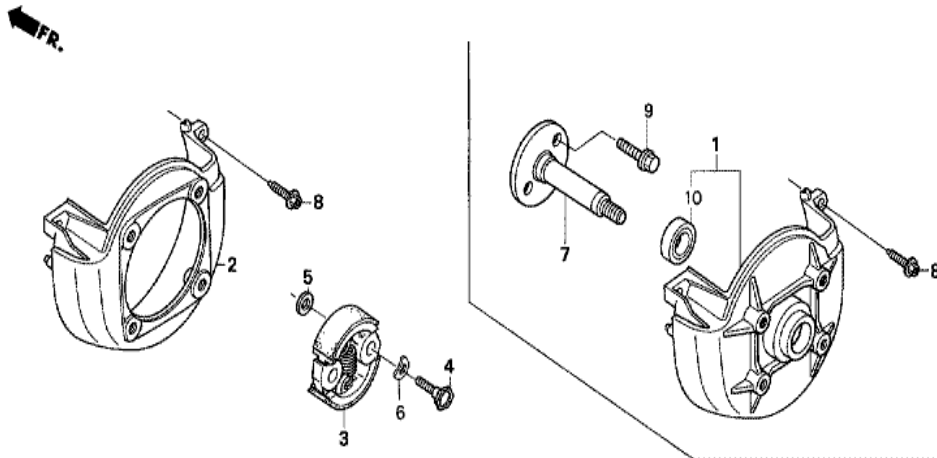


Ref	Partnumber	Description	GX25N	Serial Numbers
001	12209-ZOH-003	SEAL, VALVE STEM	1	
002	14126-ZOH-003	ROLLER, 4X29.8	1	
003	14320-ZOH-010	PULLEY COMP., CAMSHAFT	1	
004	14400-ZOH-003	BELT, TIMING (71ZU6 G-300)	1	
005	14711-ZOH-800	VALVE, IN. (HI)	1	
006	14721-ZOH-800	VALVE, EX. (HE)	1	
007	14751-ZOH-000	SPRING, VALVE	2	
008	14771-ZOH-000	RETAINER, VALVE SPRING	2	



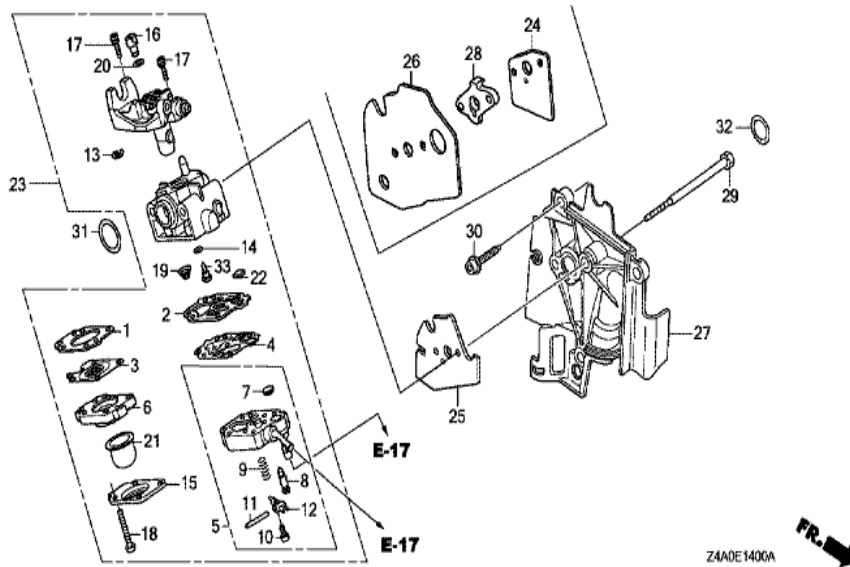
Z4A0-E1100

Ref	Partnumber	Description	GX25N	Serial Numbers
001	28400-ZOH-003	STARTER ASSY., RECOIL	1	
002	28414-ZOH-003	CASE, RECOIL STARTER	1	
004	28421-ZOH-003	REEL, RECOIL STARTER	1	
005	28433-ZM3-003	GUIDE, ROPE	1	
006	28442-ZOH-003	SPRING, RECOIL STARTER	1	
007	28451-ZOH-003	PULLEY, RECOIL STARTER	1	
008	28459-ZOH-003	ARM, SWING	1	
009	28461-ZM3-003	KNOB, RECOIL STARTER	1	
010	28462-ZM3-003	ROPE, RECOIL STARTER	1	
011	90012-ZM3-003	SCREW, SETTING	1	
012	90018-ZOH-003	BOLT, SOCKET, 5X16	1	
013	91504-ZM3-003	COLLAR	1	
014	91506-ZM3-000	COLLAR A, HEAD COVER	3	



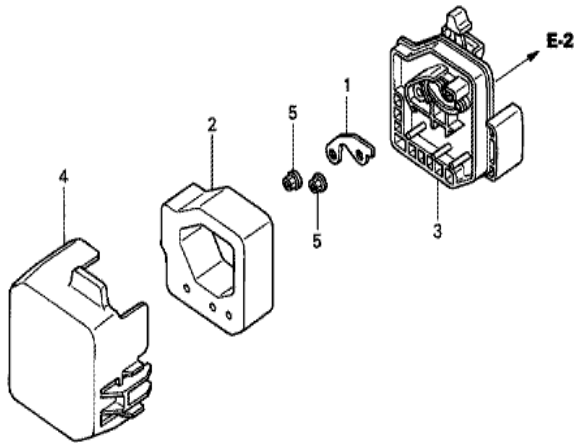
Z4A0-E1200

Ref	Partnumber	Description	GX25N	Serial Numbers
002	19611-ZOH-000	COVER, FAN	1	
003	22000-ZM3-003	CLUTCH ASSY.	1	
004	22253-ZOH-003	BOLT, CLUTCH (6MM)	2	
005	22254-ZM3-003	WASHER, CLUTCH (6X15)	2	
006	22254-ZOH-003	WASHER, WAVE (8MM)	2	
008	90009-ZOH-003	BOLT, SOCKET, 5X20	3	



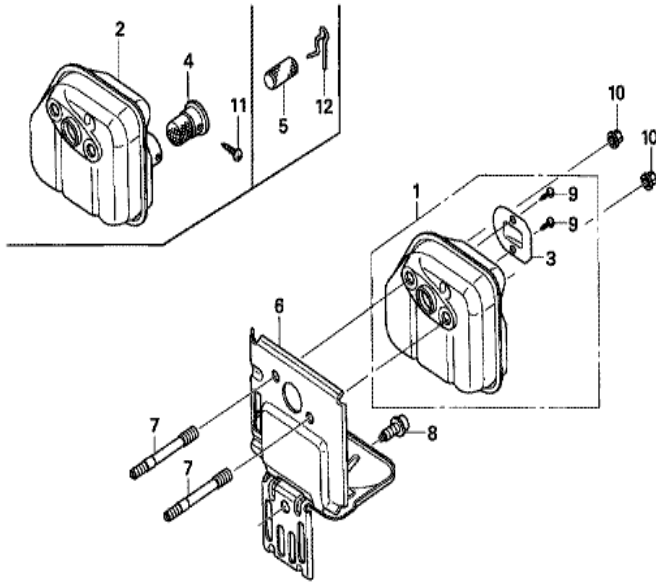
Ref	Partnumber	Description	GX25N	Serial Numbers
001	16010-ZM3-004	GASKET, METERING DIAPHRAGM	1	
002	16011-Z0H-013	GASKET, PUMP	1	
003	16013-Z0H-003	DIAPHRAGM ASSY., METERING	1	
004	16014-ZM3-004	DIAPHRAGM, PUMP	1	
005	16015-Z0H-013	BODY ASSY., PUMP	1	
006	16017-ZM3-004	BODY ASSY., AIR PURGE	1	
007	16018-ZM3-802	SCREEN, INLET	1	
008	16019-ZM3-004	VALVE, INLET NEEDLE	1	
009	16020-ZM3-004	SPRING, METERING LEVER	1	
010	16021-ZM3-004	SCREW, METERING LEVER PIN	1	
011	16022-ZM3-014	PIN, METERING LEVER	1	
012	16023-ZM3-004	LEVER, METERING	1	
013	16024-Z0H-003	RING, RETAINING	1	

<u>Ref</u>	<u>Partnumber</u>	<u>Description</u>	<u>GX25N</u>	<u>Serial Numbers</u>
014	16025-ZM3-004	O-RING	1	
015	16026-ZM3-004	COVER, PRIMER PUMP	1	
016	16027-ZM3-004	SWIVEL	1	
017	16028-ZM3-004	SCREW, THROTTLE COLLAR	2	
018	16029-ZM3-004	SCREW, PUMP COVER	4	
019	16030-ZM3-004	SPRING, PUMP	1	
020	16031-ZM3-004	WASHER	1	
021	16032-ZM3-004	PUMP, PRIMER	1	
022	16035-ZM3-802	FILTER, FUEL INLET	1	
023	16100-Z0H-825	CARBURETOR ASSY. (WYB 9B)	1	
025	16221-Z0H-000	PACKING, CARBURETOR	1	
027	19631-Z0H-000	SHROUD	1	
029	90014-Z0H-003	BOLT, 5X53	2	
030	90018-Z0H-003	BOLT, SOCKET, 5X16	3	
031	91301-ZM3-000	O-RING, 14.8X2.4	1	
032	91308-Z0H-003	O-RING, 12.3X2.4	1	
033	99101-Z0H0320	JET (#32)	(1)	
033	99101-ZM50330	JET (#33)	(1)	
033	99101-ZM50340	JET (#34)	1	



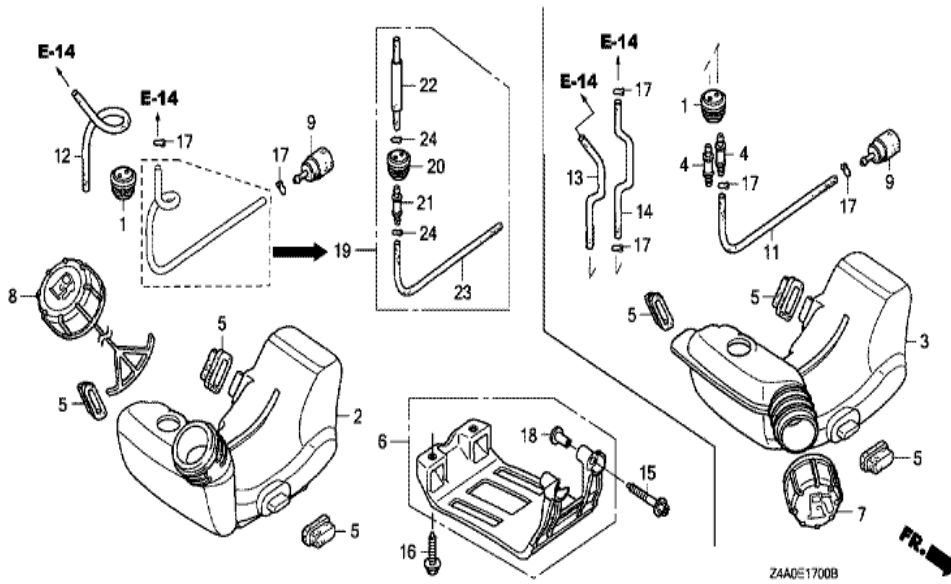
Z4A0-E1501

<u>Ref</u>	<u>Partnumber</u>	<u>Description</u>	<u>GX25N</u>	<u>Serial Numbers</u>
001	17204-ZOH-800	PLATE, OIL TRAP	1	
002	17211-ZOH-800	ELEMENT, AIR CLEANER	1	
003	17220-ZOH-802	CASE COMP., AIR CLEANER	1	
004	17231-ZOH-801	COVER, AIR CLEANER	1	
005	94050-05000	NUT, FLANGE, 5MM	2	

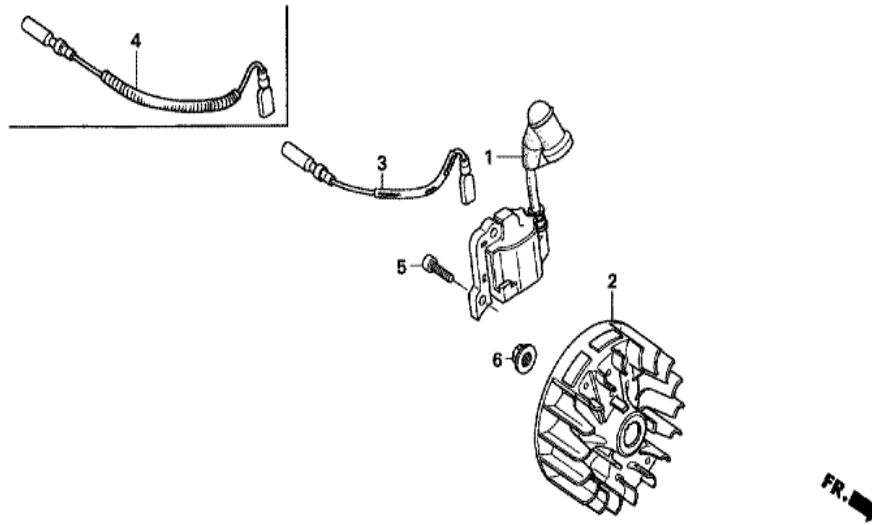


Z4A0-E1600

Ref	Partnumber	Description	GX25N	Serial Numbers
002	18310-Z0H-840	MUFFLER COMP. (ARRESTER)	1	
004	18350-Z0H-820	ARRESTER COMP., SPARK	1	
006	18515-Z0H-000	GUIDE, AIR EX.	1	
007	90001-Z0H-003	BOLT, STUD, 5X52	2	
008	90011-Z0H-003	BOLT, SOCKET, 5X10 (CT)	1	
010	90136-SM4-901	NUT, SELF-LOCK, 5MM	2	
011	93901-22010	SCREW, TAPPING, 3X6	1	

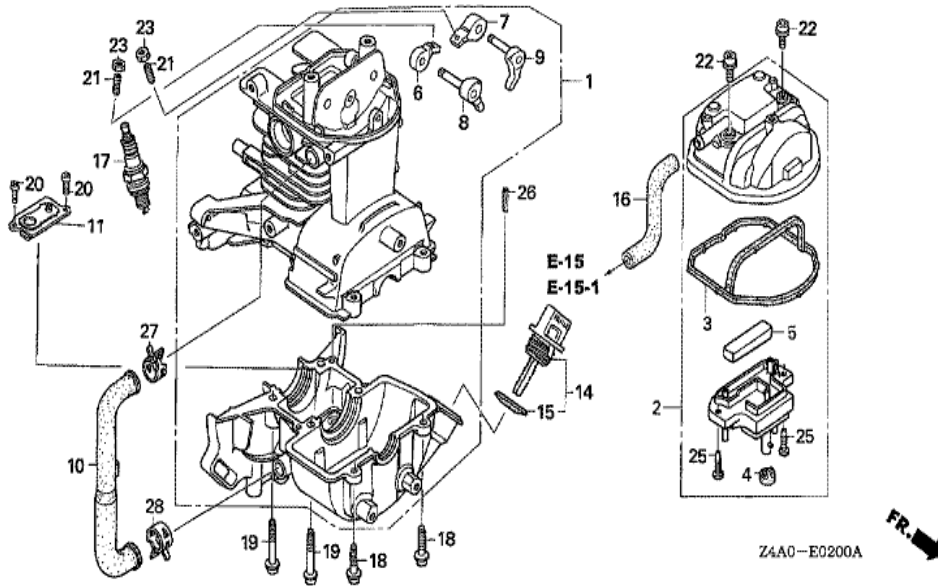


Ref	Partnumber	Description	GX25N	Serial Numbers
001	17504-ZM3-003	GROMMET, FUEL TUBE	1	
003	17511-ZOH-823	TANK, FUEL	1	
004	17519-ZM5-003	FITTING	2	
005	17533-ZOH-000	RUBBER, TANK MOUNTING	3	
007	17620-ZM3-053	CAP ASSY., FUEL TANK	1	
009	17672-ZOH-003	FILTER, FUEL	1	
011	17701-ZOH-820	TUBE, FUEL TANK	1	
013	17702-ZOH-820	TUBE, FUEL RETURN	1	
014	17703-ZOH-820	TUBE A, FUEL	1	
017	91401-ZM3-003	CLIP, TUBE	2	



Z4A0-E1900

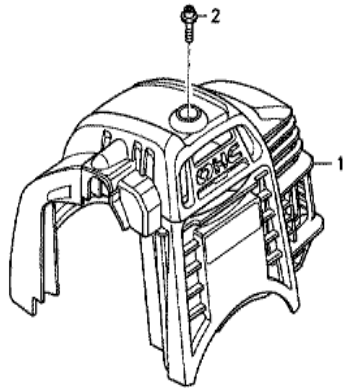
Ref	Partnumber	Description	GX25N	Serial Numbers
001	30500-Z0H-023	COIL ASSY., IGNITION	1	
002	31110-Z0H-003	FLYWHEEL COMP.	1	
003	32195-Z0H-000	CORD, STOP SWITCH	1	
005	90012-Z0H-005	BOLT, SOCKET, 4X14	2	
006	90355-427-770	NUT, FLANGE, 7MM	1	



Z4A0-E0200A



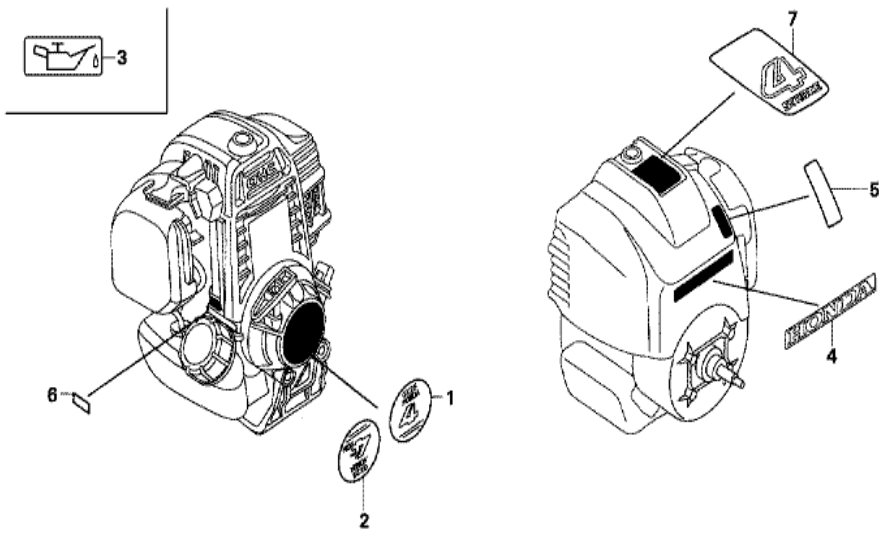
<u>Ref</u>	<u>Partnumber</u>	<u>Description</u>	<u>GX25N</u>	<u>Serial Numbers</u>
001	10100-Z0H-425	CRANKCASE SET	1	
002	12310-Z0H-010	COVER, CYLINDER HEAD	1	
003	12312-Z0H-300	SEAL, HEAD COVER	1	
004	12314-Z0H-300	GROMMET, HEAD COVER	1	
005	12367-Z0H-000	FILTER, BREATHER	1	
006	14431-Z0H-003	ARM, IN. VALVE ROCKER	1	
007	14441-Z0H-003	ARM, EX. VALVE ROCKER	1	
008	14730-Z0H-000	LIFTER COMP., IN. VALVE	1	
009	14740-Z0H-000	LIFTER COMP., EX. VALVE	1	
010	15422-Z0H-000	TUBE, OIL	1	
011	15510-Z0H-000	PLATE ASSY., OIL OUTLET VALVE	1	
014	15600-ZF0-003	CAP ASSY., OIL FILLER	1	
015	15625-ZE1-003	PACKING, OIL FILLER CAP	1	
<u>Ref</u>	<u>Partnumber</u>	<u>Description</u>	<u>GX25N</u>	<u>Serial Numbers</u>
016	15721-Z0H-820	TUBE, BREATHER	1	
017	31914-Z0H-003	PLUG, SPARK (CMR4H) (NGK)	(1)	
017	31915-Z0H-003	PLUG, SPARK (CMR5H) (NGK)	1	
017	31916-Z0H-003	PLUG, SPARK (CMR6H) (NGK)	(1)	
018	90009-Z0H-003	BOLT, SOCKET, 5X20	2	
019	90010-Z0H-003	BOLT, SOCKET, 5X30	4	
020	90013-Z0H-004	SCREW, PAN, 4X8	2	
021	90017-Z0H-000	SCREW, TAPPET ADJUSTING	2	
022	90019-Z0H-003	BOLT, SOCKET, 5X12	2	
023	90206-ZM3-000	NUT, TAPPET ADJUSTING	2	
025	93901-34320	SCREW, TAPPING, 4X12	2	
026	94305-40102	PIN, SPRING, 4X10	1	
027	95002-4120008	CLAMP, TUBE (D12)	1	
028	95002-4130004	CLAMP, TUBE (D13)	1	



Z4A0-E2700

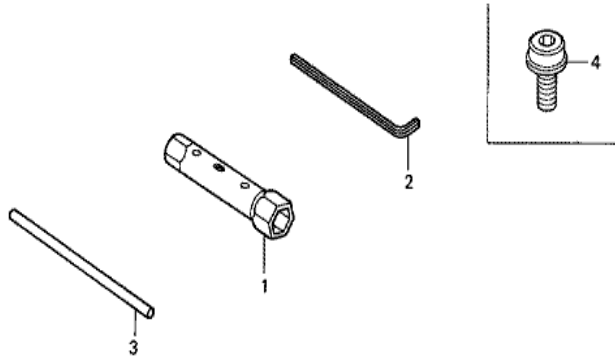


Ref	Partnumber	Description	GX25N	Serial Numbers
001	19720-Z0H-800ZA	COVER COMP., TOP *R280 *	1	
002	90015-Z0H-003	BOLT, TOP COVER	1	



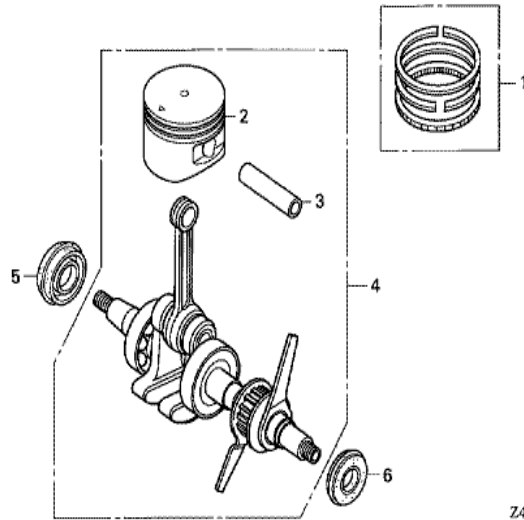
Z4A0-E2800

Ref	Partnumber	Description	GX25N	Serial Numbers
001	87521-Z0H-000	MARK, EMBLEM	1	
003	87531-YE9-000	MARK, OIL CAUTION	(1)	
006	87601-Z4A-830	MARK, TYPE (T3)	1	



Z4A0-E2900

<u>Ref</u>	<u>Partnumber</u>	<u>Description</u>	<u>GX25N</u>	<u>Serial Numbers</u>
001	89216-045-010	WRENCH, SPARK PLUG	(1)	
002	89221-KW3-000	WRENCH, HEX., 4MM	(1)	
003	99005-01000	BAR A, HANDLE	(1)	
004	90011-Z0H-811	BOLT, SOCKET, 5X9	(1)	



Z4A0-E0700



Ref	Partnumber	Description	GX25N	Serial Numbers
001	13010-Z0H-000	RING SET, PISTON	1	
002	13101-Z0H-000	PISTON	1	
003	13111-Z0H-000	PIN, PISTON	1	
004	13310-Z0H-020	CRANKSHAFT COMP.	1	
005	91211-Z0H-003	OIL SEAL, 12X24X5	1	
006	91212-Z0H-003	OIL SEAL, 10X20X5	1	