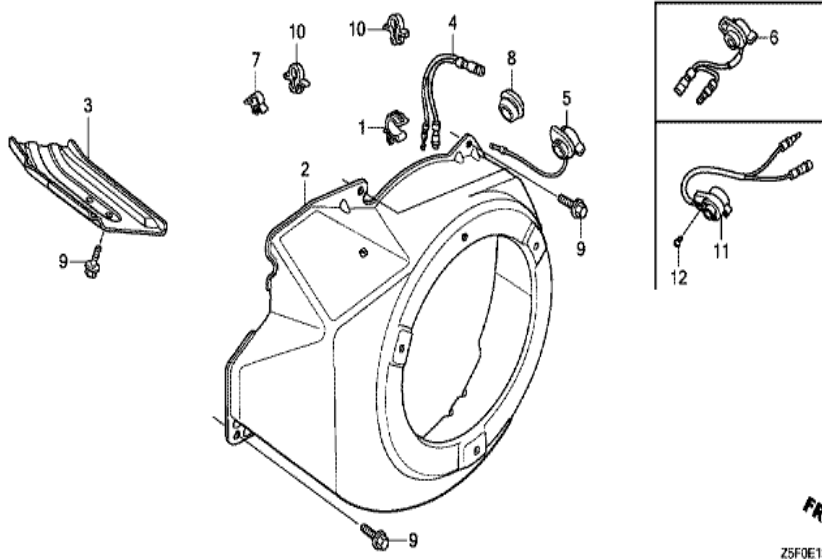


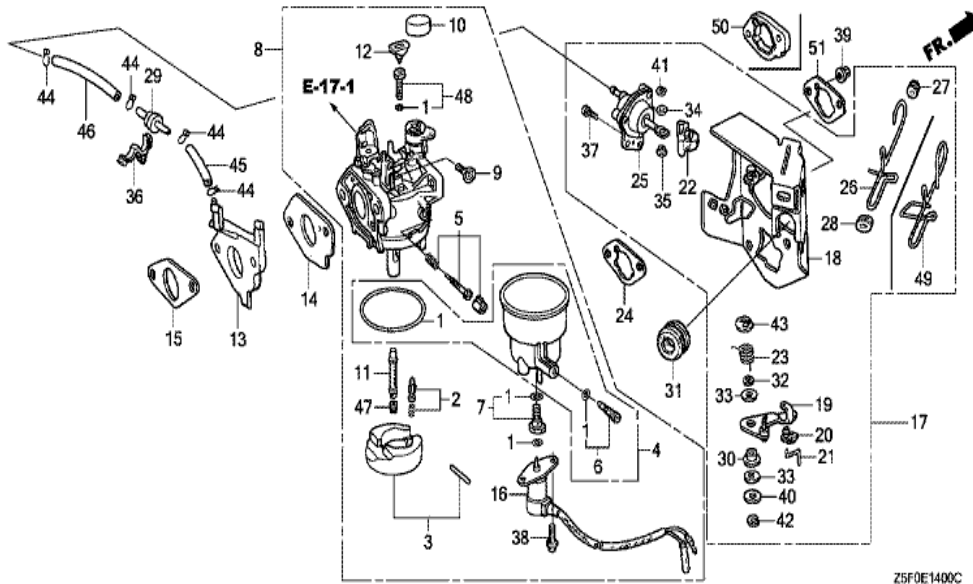
FR. →  
Z5F0E1100A

<u>Ref</u>	<u>Partnumber</u>	<u>Description</u>	<u>GX240U1</u>	<u>Serial Numbers</u>
001	28400-ZE2-W01ZG	STARTER ASSY., RECOIL *NH105 *	1	
001	28400-ZE2-W01ZG	STARTER ASSY., RECOIL *NH105 *	1	1237019
001	28400-ZE2-W02ZG	STARTER ASSY., RECOIL *NH105*	1	1237020
002	28410-ZE2-W01ZG	CASE COMP., RECOIL STARTER *NH105 *	1	
002	28410-ZE2-W01ZG	CASE COMP., RECOIL STARTER *NH105 *	1	
003	28421-ZE2-W01	PULLEY, RECOIL STARTER	1	
004	28422-ZE2-W01	RATCHET, STARTER	2	
005	28441-ZE2-W01	SPRING, FRICTION	1	
006	28442-ZE2-W01	SPRING, STARTER RETURN	1	
007	28443-ZE2-W01	SPRING, RATCHET	2	
008	28444-ZE2-W01	RETAINER, SPRING	1	
009	28461-ZE2-W02	GRIP, STARTER	1	1237019
009	28461-ZE2-W03	GRIP, STARTER	1	1237020
<u>Ref</u>	<u>Partnumber</u>	<u>Description</u>	<u>GX240U1</u>	<u>Serial Numbers</u>
010	28462-ZE2-W11	ROPE, RECOIL STARTER	1	
011	90004-ZE2-W01	SCREW, CENTER	1	
012	90008-ZE2-003	BOLT, FLANGE, 6X10	3	



FR. →  
Z5F0E12008

Ref	Partnumber	Description	GX240U1	Serial Numbers
002	19610-ZE2-700ZM	COVER COMP., FAN *NH105 *	1	
002	19610-ZE2-700ZM	COVER COMP., FAN *NH105 *	1	
003	19631-ZE2-D00	SHROUD	1	
003	19631-ZE2-D00	SHROUD	1	
008	81329-567-020	GROMMET, DRAIN HOLE	1	
009	90013-883-000	BOLT, FLANGE, 6X12 (CT200)	6	
010	90654-SA4-003	CLIP, WIRE HARNESS, 6MM (WHITE)	2	

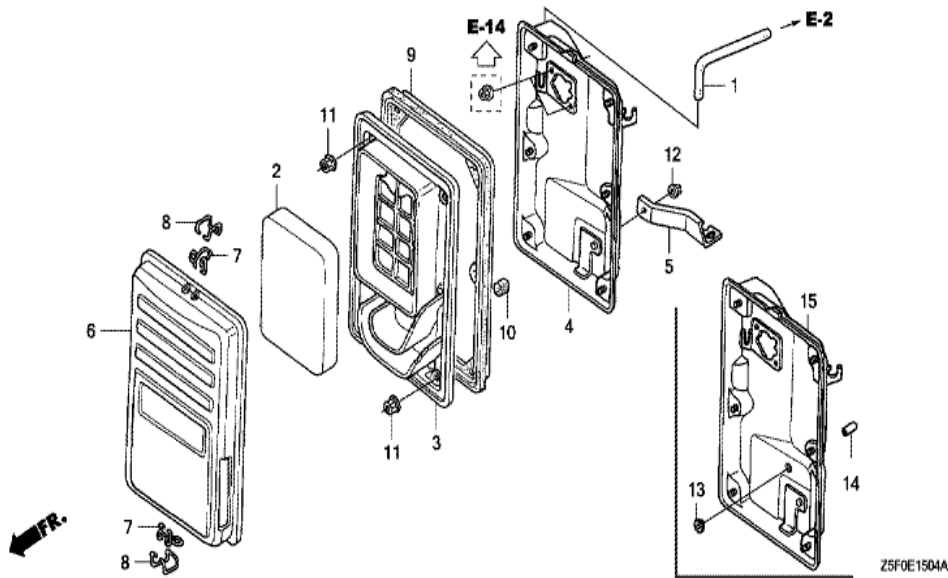


Z5F0E1400C

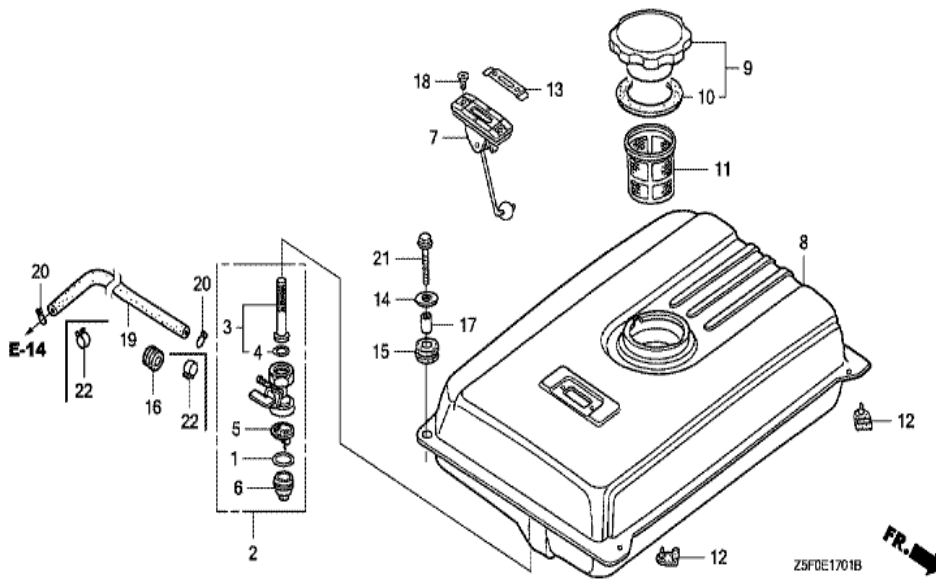
Ref	Partnumber	Description	GX240U1	Serial Numbers
001	16010-ZE3-701	GASKET SET	1	
002	16011-ZA0-931	VALVE SET, FLOAT	1	
003	16013-ZA0-931	FLOAT SET	1	
004	16015-ZA0-931	CHAMBER SET, FLOAT	1	
005	16016-ZH7-W01	SCREW SET, PILOT	1	
006	16024-124-760	SCREW SET, DRAIN	1	
006	16024-124-760	SCREW SET, DRAIN	1	
007	16028-ZA0-931	SCREW SET	1	
008	16100-Z5F-F01	CARBURETOR ASSY. (BE72L A)	1	
008	16100-Z5F-F01	CARBURETOR ASSY. (BE72L A)	1	1033893
009	16124-ZE0-005	SCREW, THROTTLE STOP	1	
010	16148-141-881	CAP, CHOKE DUST	1	
011	16166-ZE2-015	NOZZLE, MAIN	1	

<u>Ref</u>	<u>Partnumber</u>	<u>Description</u>	<u>GX240U1</u>	<u>Serial Numbers</u>
012	16172-ZE3-W10	COLLAR, SETTING	1	
013	16211-ZE2-700	INSULATOR, CARBURETOR	1	1242766
013	16211-ZE2-701	INSULATOR, CARBURETOR	1	1242767
014	16221-ZA0-800	PACKING, CARBURETOR	1	
014	16221-ZA0-800	PACKING, CARBURETOR	1	
015	16223-ZA0-800	PACKING, INSULATOR	1	
015	16223-ZA0-800	PACKING, INSULATOR	1	
016	16230-ZE3-701	VALVE ASSY., SOLENOID	1	
016	16230-ZE3-701	VALVE ASSY., SOLENOID	1	1174424
016	16230-ZE3-702	VALVE ASSY., SOLENOID	1	1174425
016	16230-ZE3-702	VALVE ASSY., SOLENOID	1	1174425
017	16260-ZE2-722	STAY ASSY., MANUAL CHOKE	1	
017	16260-ZE2-722	STAY ASSY., MANUAL CHOKE	1	1178310
017	16260-ZE2-723	STAY ASSY., MANUAL CHOKE	1	1178311
017	16260-ZE2-723	STAY ASSY., MANUAL CHOKE	1	1178311
018	16261-ZE2-702	STAY COMP., SOLENOID	1	
019	16262-ZE2-711	LEVER, CHOKE	1	
020	16263-ZA0-000	JOINT, ROD	1	
021	16264-ZE2-701	ROD, CHOKE	1	
022	16265-ZE2-721	STOPPER, CHOKE ROD	1	
023	16268-ZE2-721	SPRING, MANUAL CHOKE	1	
024	16269-ZA0-800	PACKING, AIR CLEANER	1	
025	16400-ZE2-703	DIAPHRAGM ASSY.	1	
025	16400-ZE2-703	DIAPHRAGM ASSY.	1	1178310
025	16400-ZE2-704	DIAPHRAGM ASSY.	1	1178311
025	16400-ZE2-704	DIAPHRAGM ASSY.	1	1178311
026	16611-ZE2-711	ROD, CHOKE CONTROL	1	
027	16613-893-000	GROMMET, CHOKE ROD	1	
028	16615-893-000	GUIDE, CHOKE ROD	1	
029	36135-ZF6-D41	VALVE, DASHPOT CHECK	1	
030	53149-964-003	BUSH, ARM PIVOT	1	
031	88911-MJ3-000	GROMMET, FENDER	1	
032	90431-ZE2-700	WASHER, CHOKE LEVER	1	

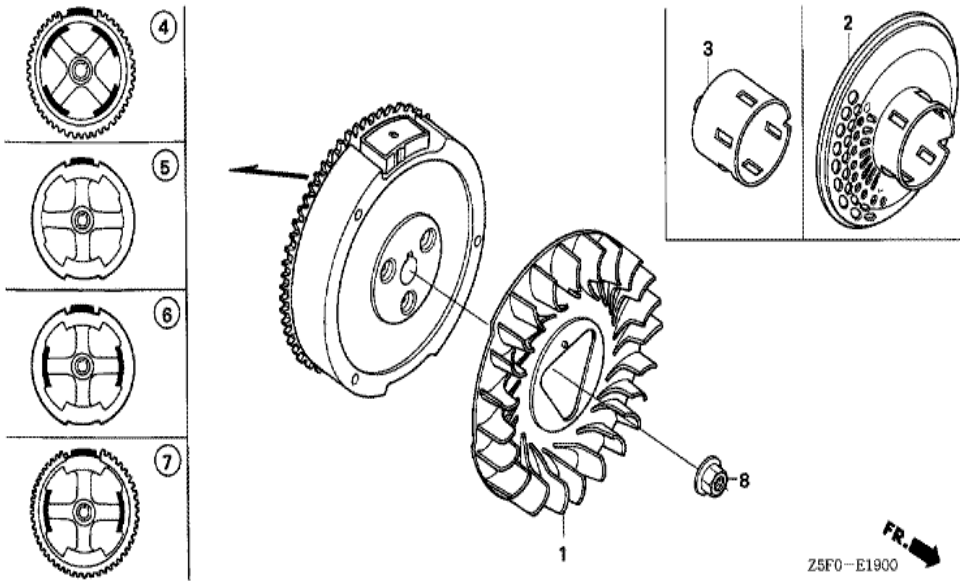
<u>Ref</u>	<u>Partnumber</u>	<u>Description</u>	<u>GX240U1</u>	<u>Serial Numbers</u>
033	90432-ZE2-700	SEAL, CHOKE LEVER	2	
034	90433-ZE2-700	WASHER, THRUST, 2.7X8	1	
035	90434-ZE2-700	COLLAR, LEVER	1	
036	90650-SD9-003	CLIP, WIRE HARNESS	1	
037	93500-050120A	SCREW, PAN, 5X12	2	
038	93892-0501218	SCREW-WASHER, 5X12	2	
039	94050-06000	NUT, FLANGE, 6MM	2	
040	94103-05000	WASHER, PLAIN, 5MM	1	
041	94540-02010	E-RING, 2MM	1	
042	94540-04010	E-RING, 4MM	1	
043	94540-07010	E-RING, 7MM	1	
044	95002-02070	CLIP, TUBE (B7)	4	
045	95005-3506510	TUBE, 3.5X65 (95005-35001-10M)	1	
046	95005-3513010	TUBE, 3.5X130 (95005-35001-10M)	1	
047	99101-ZH80750	JET, MAIN, #75	(1)	
047	99101-ZH80780	JET, MAIN, #78	(1)	
047	99101-ZH80780	JET, MAIN, #78	(1)	
047	99101-ZH80800	JET, MAIN, #80	1	
047	99101-ZH80800	JET, MAIN, #80	1	
048	99204-ZA00450	JET SET, PILOT, #45	1	
051	16269-ZA0-800	PACKING, AIR CLEANER	1	



<u>Ref</u>	<u>Partnumber</u>	<u>Description</u>	<u>GX240U1</u>	<u>Serial Numbers</u>
001	15721-ZB4-000	TUBE, BREATHER	1	
002	17211-899-000	ELEMENT, AIR CLEANER	1	
003	17212-Z5R-000	SEPARATOR, AIR CLEANER	1	1194604
003	17212-ZB4-003	SEPARATOR, AIR CLEANER	1	1194603
003	17212-ZB4-003	SEPARATOR, AIR CLEANER	1	1194603
004	17220-ZB4-003	CASE COMP., AIR CLEANER	1	1194603
005	17222-ZB4-000	STAY, AIR CLEANER	1	
006	17231-899-000	COVER COMP., AIR CLEANER	1	
007	17235-899-000	CLIP A, AIR CLEANER WIRE	2	
008	17236-899-000	CLIP B, AIR CLEANER WIRE	2	
009	17252-899-000	SEAL, AIR CLEANER	1	
010	17367-413-690	FILTER, DRAIN TUBE	1	
011	94050-05000	NUT, FLANGE, 5MM	6	
<u>Ref</u>	<u>Partnumber</u>	<u>Description</u>	<u>GX240U1</u>	<u>Serial Numbers</u>
012	94050-06000	NUT, FLANGE, 6MM	1	
013	17232-898-000	GROMMET, AIR CLEANER	1	
013	17232-898-000	GROMMET, AIR CLEANER	1	1194604
014	90634-ZL8-H00	CAP, SEALING	1	
014	90634-ZL8-H00	CAP, SEALING	1	1194604
015	17220-Z5R-000	CASE COMP., AIR CLEANER	1	
015	17220-Z5R-000	CASE COMP., AIR CLEANER	1	1194604

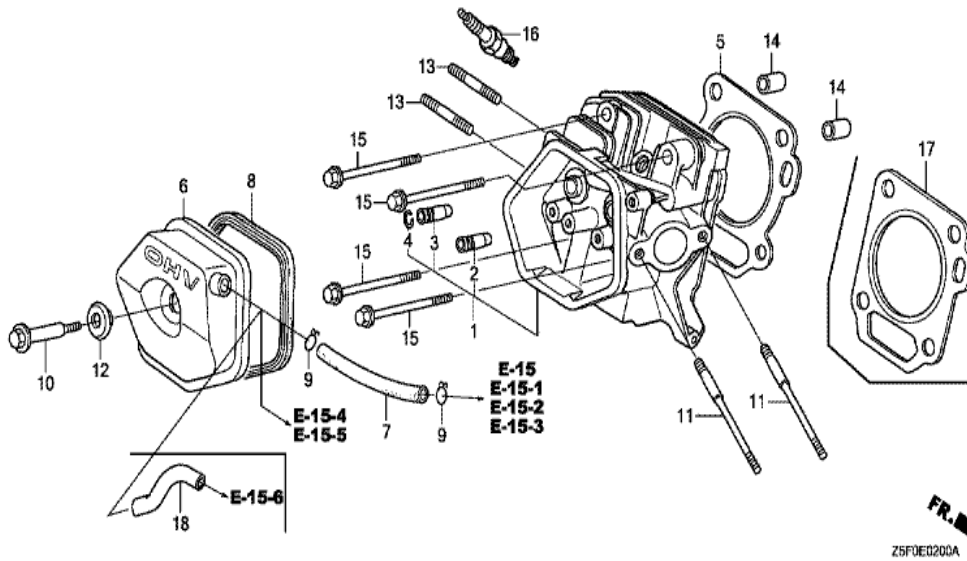


Ref	Partnumber	Description	GX240U1	Serial Numbers
001	16173-001-004	PACKING, FUEL STRAINER CUP	1	
002	16950-ZB4-015	COCK ASSY., FUEL	1	
003	16952-ZB4-005	SCREEN SET, FUEL STRAINER	1	
004	16958-397-771	O-RING, 9.0X1.3	1	
005	16959-471-831	FILTER, CUP	1	
006	16967-GA6-671	CUP, FUEL STRAINER	1	
007	17505-ZB2-003	METER ASSY., FUEL	1	
009	17620-899-013	CAP COMP., FUEL FILLER	1	
010	17631-899-000	PACKING, FUEL FILLER CAP	1	
011	17670-899-000	FILTER COMP., FUEL	1	
014	90503-898-000	WASHER, TANK CUSHION	2	
014	90503-898-000	WASHER, TANK CUSHION	4	
015	90851-898-000	RUBBER, TANK CUSHION	2	
Ref	Partnumber	Description	GX240U1	Serial Numbers
015	90851-898-000	RUBBER, TANK CUSHION	4	
016	90854-ZB2-000	RUBBER, FUEL (9X15X10)	1	
017	91551-898-000	COLLAR, TANK CUSHION	2	
017	91551-898-000	COLLAR, TANK CUSHION	4	
019	91424-Z5L-811	TUBE, FUEL, 4.5X165 (FKM)	1	1037326 1232855
019	91424-Z5L-811	TUBE, FUEL, 4.5X165 (FKM)	1	1232855
019	91424-Z5L-812	TUBE, FUEL, 4.5X165 (FKM)	1	
019	91424-Z5L-812	TUBE, FUEL, 4.5X165 (FKM)	1	1232856
022	95002-4080008	CLAMP, TUBE (D8)	2	



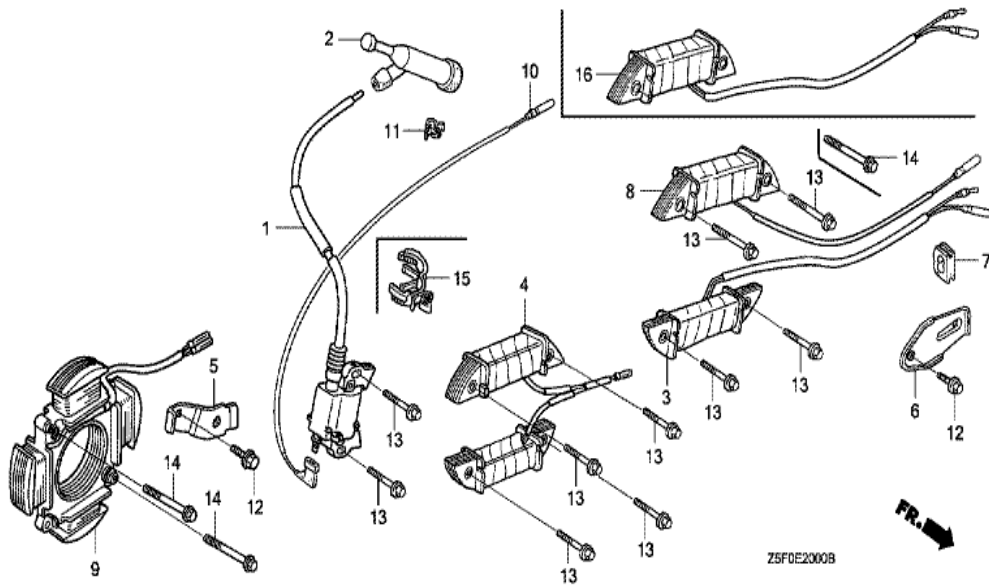
Ref	Partnumber	Description	GX240U1	Serial Numbers
001	19511-ZE2-000	FAN, COOLING	1	
003	28451-ZE2-W01	PULLEY, STARTER	1	
005	31100-ZE2-010	FLYWHEEL COMP.	1	
008	90201-ZE3-790	NUT, SPECIAL, 16MM	1	
008	90201-ZE3-790	NUT, SPECIAL, 16MM	1	1131468



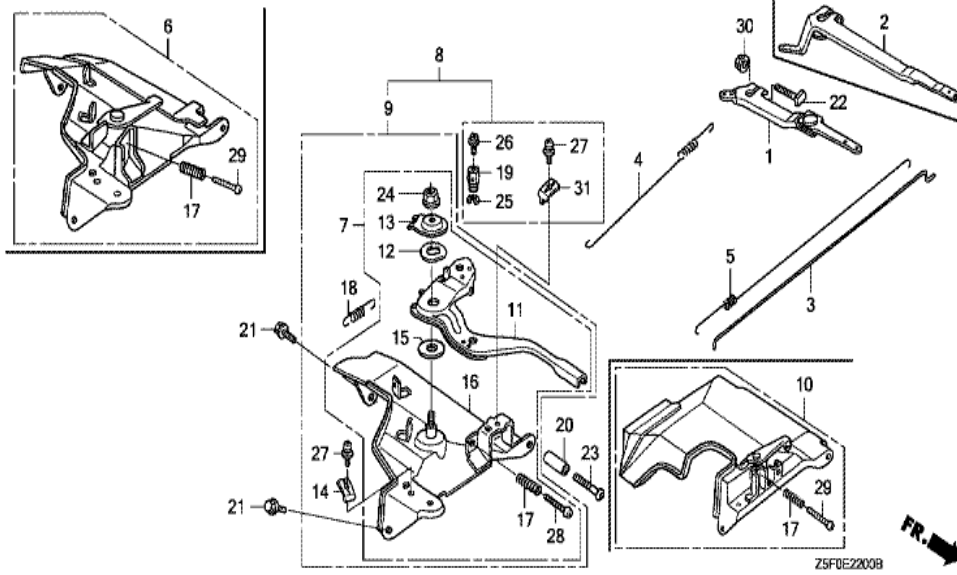


Z5F0E0200A

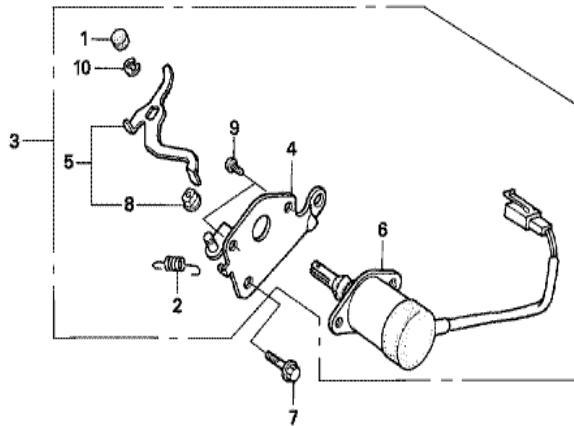
Ref	Partnumber	Description	GX240U1	Serial Numbers
001	12200-ZH9-405	HEAD COMP., CYLINDER	1	
002	12204-ZE2-306	GUIDE, IN. VALVE (O.S.)	1	
003	12205-ZE2-305	GUIDE, EX. VALVE (OS)	1	
004	12216-ZE2-300	CLIP, VALVE GUIDE	1	
005	12251-ZE2-800	GASKET, CYLINDER HEAD	1	
006	12310-ZE2-020	COVER COMP., HEAD	1	
006	12310-ZE2-020	COVER COMP., HEAD	1	
008	12391-ZE2-020	PACKING, HEAD COVER	1	
010	90014-ZE2-000	BOLT, HEAD COVER	1	
011	90042-ZE2-700	BOLT, STUD, 8X98	2	
011	90042-ZE2-700	BOLT, STUD, 8X98	2	
012	90441-ZE2-010	WASHER COMP., HEAD COVER	1	
013	90018-ZK6-P10	BOLT, STUD, 8X22	2	
<u>Ref</u>	<u>Partnumber</u>	<u>Description</u>	<u>GX240U1</u>	<u>Serial Numbers</u>
013	90018-ZK6-P10	BOLT, STUD, 8X22	2	
014	94301-12200	DOWEL PIN, 12X20	2	
015	95701-1008000	BOLT, FLANGE, 10X80	4	
015	95701-1008000	BOLT, FLANGE, 10X80	4	1167471
016	98079-55846	PLUG, SPARK (BPR5ES) (NGK)	1	
016	98079-55855	PLUG, SPARK (W16EPR-U) (DENSO)	(1)	
016	98079-55855	PLUG, SPARK (W16EPR-U) (DENSO)	1	



Ref	Partnumber	Description	GX240U1	Serial Numbers
001	30500-ZF6-H31	COIL ASSY., IGNITION	1	1253252
001	30500-ZF6-W02	COIL ASSY., IGNITION	1	1167470
001	30500-ZF6-W03	COIL ASSY., IGNITION	1	
001	30500-ZF6-W03	COIL ASSY., IGNITION	1	1167471 1253251
002	30700-ZE1-013	CAP ASSY., NOISE SUPPRESSOR (NICHIIWA Y-E	1	
007	31512-ZE2-000	GROMMET, CORD	1	
010	36101-ZE2-701	CORD, STOP SWITCH (430MM)	1	
010	36101-ZE2-701	CORD, STOP SWITCH (430MM)	1	
011	36103-ZE1-000	HOLDER, STOP SWITCH CORD	1	
013	90015-883-000	BOLT, FLANGE, 6X28 (CT200)	2	

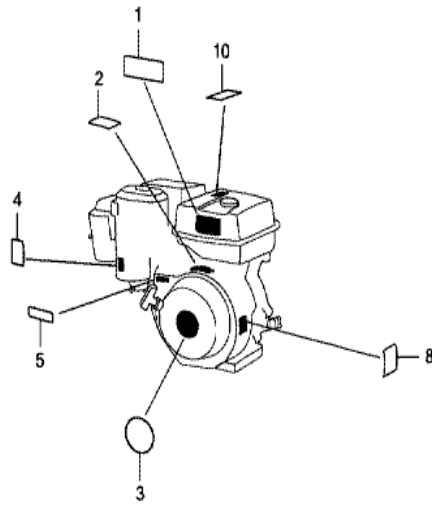
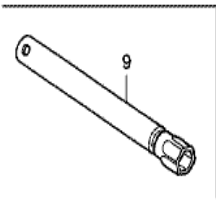
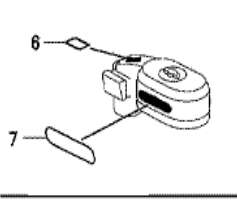


Ref	Partnumber	Description	GX240U1	Serial Numbers
001	16550-ZE2-700	ARM COMP., GOVERNOR	1	
003	16555-ZE2-000	ROD, GOVERNOR	1	
004	16561-ZE2-000	SPRING, GOVERNOR (L=145.0MM) (WIRE DIAME	1	
005	16562-ZE2-700	SPRING, THROTTLE RETURN	1	
005	16562-ZE2-700	SPRING, THROTTLE RETURN	1	
010	16570-ZE2-701	CONTROL ASSY.	1	
010	16570-ZE2-701	CONTROL ASSY.	1	
017	16584-883-300	SPRING, CONTROL ADJUSTING	1	
021	90013-883-000	BOLT, FLANGE, 6X12 (CT200)	2	
022	90015-ZE5-010	BOLT, GOVERNOR ARM	1	
029	93500-050350A	SCREW, PAN, 5X35	1	
029	93500-050350A	SCREW, PAN, 5X35	1	
030	94050-06000	NUT, FLANGE, 6MM	1	



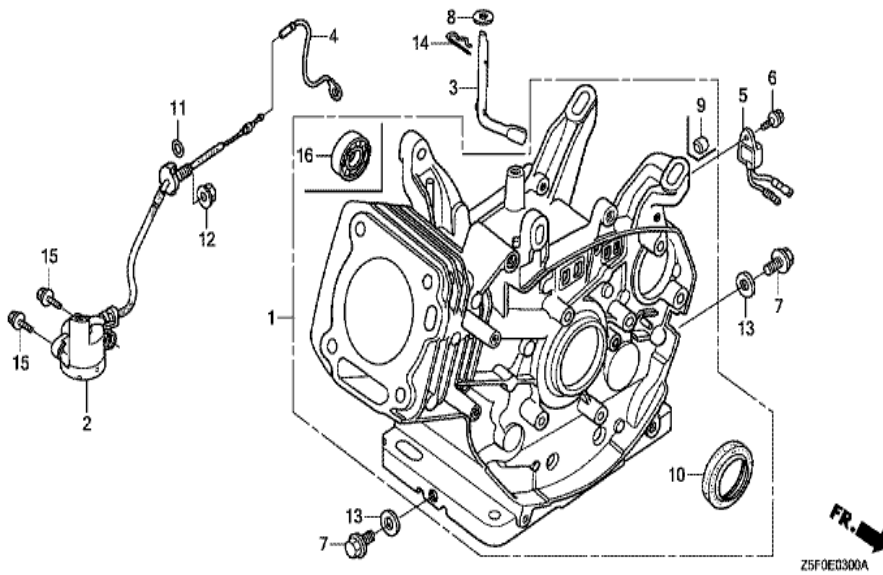
Z5F0-E2320

Ref	Partnumber	Description	GX240U1	Serial Numbers
001	16252-ZA1-010	CAP, CHOKE LEVER	1	
002	16268-893-000	SPRING, CHOKE RETURN	1	
003	16270-ZB4-010	AUTO-THROTTLE ASSY.	1	
004	16271-ZB4-000	STAY, SOLENOID THROTTLE	1	
005	16273-ZB4-000	LEVER COMP., SOLENOID THROTTLE	1	
006	36160-ZB4-003	SOLENOID ASSY.	1	
006	36160-ZB4-003	SOLENOID ASSY.	1	1180020
006	36160-ZB4-013	SOLENOID ASSY.	1	1180021
006	36160-ZB4-013	SOLENOID ASSY.	1	1180021
007	90013-883-000	BOLT, FLANGE, 6X12 (CT200)	1	
008	91502-ZB4-701	BUSH, AUTO-THROTTLE LEVER	1	
009	93500-050080A	SCREW, PAN, 5X8	2	
010	94540-04018	E-RING, 4MM	1	



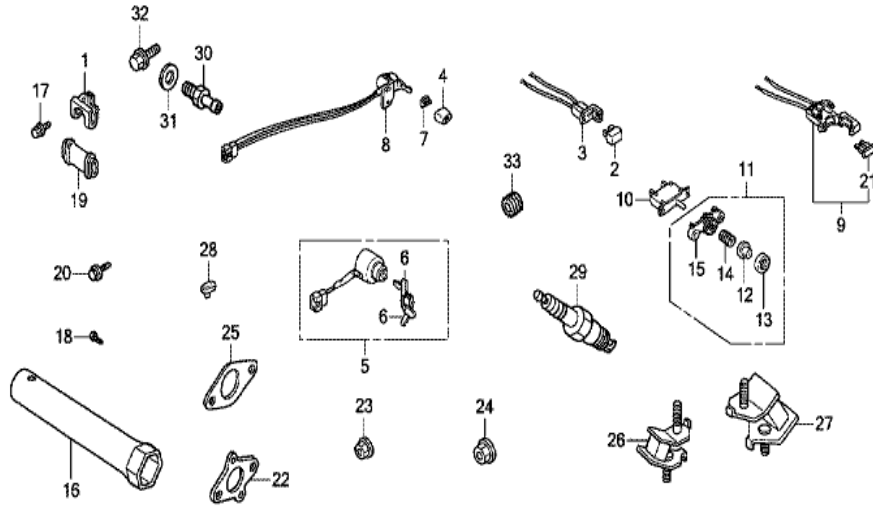
Z3F0E2800A

Ref	Partnumber	Description	GX240U1	Serial Numbers
003	87521-ZE2-W04	EMBLEM (GX240)	1	1167471
003	87521-ZE2-W04	EMBLEM (GX240)	1	



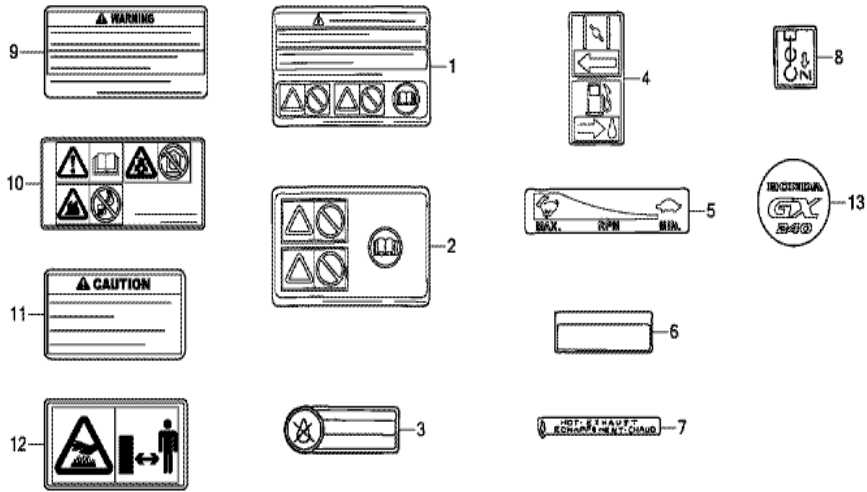
Z5F0E0300A

<u>Ref</u>	<u>Partnumber</u>	<u>Description</u>	<u>GX240U1</u>	<u>Serial Numbers</u>
001	12000-ZE2-406	BARREL ASSY., CYLINDER (ALERT)	1	
001	12000-ZE2-406	BARREL ASSY., CYLINDER (ALERT)	1	
002	15510-ZE2-043	SWITCH ASSY., OIL LEVEL	1	
002	15510-ZE2-043	SWITCH ASSY., OIL LEVEL	1	1174359
002	35480-ZF6-003	SWITCH ASSY., OIL LEVEL	1	
002	35480-ZF6-003	SWITCH ASSY., OIL LEVEL	1	1174360
003	16541-ZE2-010	SHAFT, GOVERNOR ARM	1	
004	31161-ZE2-000	CORD, EARTH	1	
005	34150-ZH7-003	ALERT UNIT, OIL	1	
005	34150-ZH7-003	ALERT UNIT, OIL	1	1178305
005	34150-ZH7-013	ALERT UNIT, OIL	1	1178306
005	34150-ZH7-013	ALERT UNIT, OIL	1	1178306
006	90013-883-000	BOLT, FLANGE, 6X12 (CT200)	1	
<u>Ref</u>	<u>Partnumber</u>	<u>Description</u>	<u>GX240U1</u>	<u>Serial Numbers</u>
007	90131-883-000	BOLT, DRAIN PLUG, 12X15	2	
008	90446-KE1-000	WASHER, 8.2X17X0.8	1	
010	91201-890-003	OIL SEAL, 30X46X8	1	
011	91353-671-004	O-RING, 14MM (NOK)	1	
012	94050-10000	NUT, FLANGE, 10MM	1	
013	94109-12000	WASHER, DRAIN PLUG, 12MM	2	
014	94251-10000	PIN, LOCK, 10MM	1	
015	95701-0601200	BOLT, FLANGE, 6X12	2	



Z5F0E4000E

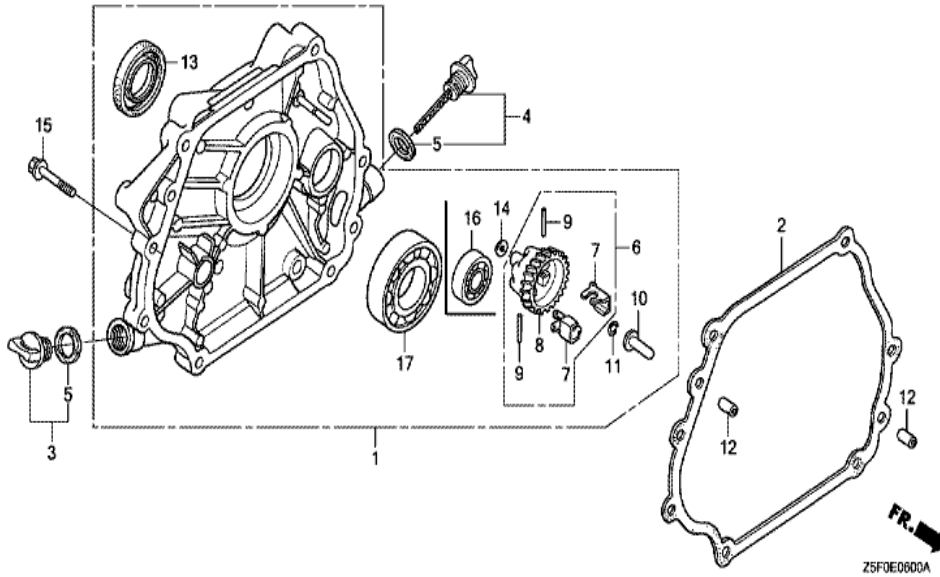
Ref	Partnumber	Description	GX240U1	Serial Numbers
016	89216-ZB4-000	WRENCH, PLUG	1	
017	90013-883-000	BOLT, FLANGE, 6X12 (CT200)	1	
020	95701-0802000	BOLT, FLANGE, 8X20	2	
020	95701-0802000	BOLT, FLANGE, 8X20	2	
022	18333-ZF6-W01	GASKET, EX. PIPE	1	
024	94050-08000	NUT, FLANGE, 8MM	2	
025	18333-ZB4-800	GASKET, EX. PIPE	1	
026	68325-ZB4-000	RUBBER, BOTTOM	2	
027	68325-899-000	RUBBER, BOTTOM	2	
028	76122-952-000	STOPPER, DISCHARGE GUARD	4	
029	98079-55846	PLUG, SPARK (BPR5ES) (NGK)	1	



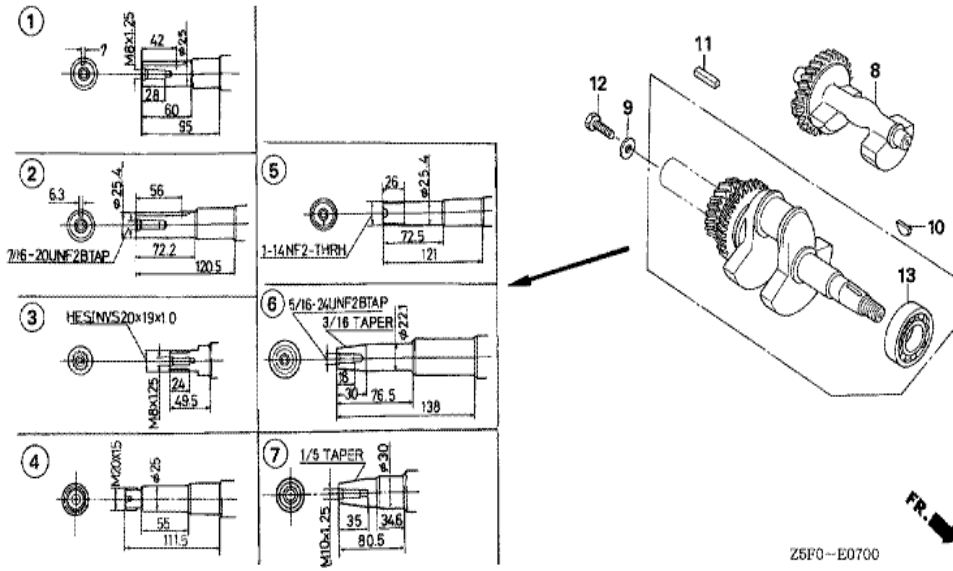
Z5F0E4001C

Ref	Partnumber	Description	GX240U1	Serial Numbers
001	87516-ZH7-000	MARK, OPERATOR CAUTION (ENGLISH) (MADE I	1	
001	87516-ZH7-000	MARK, OPERATOR CAUTION (ENGLISH) (MADE I	1	1237019
001	87516-ZH7-800	MARK, OPERATOR CAUTION (FRENCH) (MADE IN	1	1237019
001	87516-ZH7-800	MARK, OPERATOR CAUTION (FRENCH) (MADE IN	1	1237019
006	87533-ZC0-630	MARK, AIR CLEANER (ENGLISH)	1	
007	87539-898-620	MARK, EX. CAUTION (ENGLISH/FRENCH)	1	
008	87528-898-620	MARK, CHOKE	1	
009	87516-ZH7-010	MARK, OPERATOR CAUTION (ENGLISH) (MADE I	1	
009	87516-ZH7-010	MARK, OPERATOR CAUTION (ENGLISH) (MADE I	1	1237020
009	87516-ZH7-801	MARK, OPERATOR CAUTION (FRENCH) (MADE IN	1	1237020
009	87516-ZH7-801	MARK, OPERATOR CAUTION (FRENCH) (MADE IN	1	1237020
010	87519-ZH7-000	MARK, OPERATOR CAUTION (PICTOGRAPH)	1	
010	87519-ZH7-000	MARK, OPERATOR CAUTION (PICTOGRAPH)	1	1237020



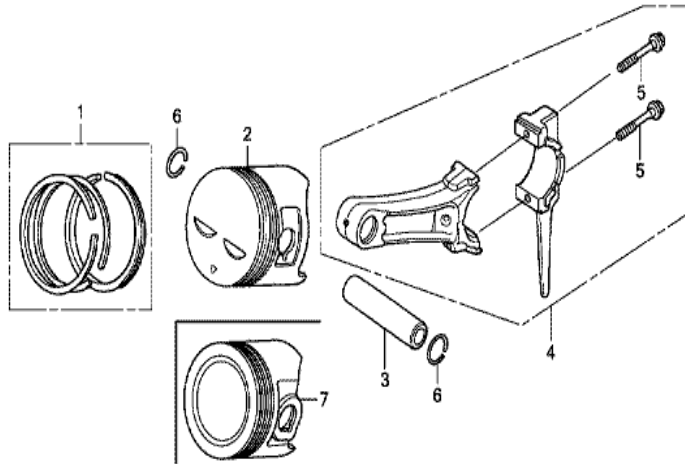


<u>Ref</u>	<u>Partnumber</u>	<u>Description</u>	<u>GX240U1</u>	<u>Serial Numbers</u>
001	11300-ZH9-S50	COVER ASSY., CRANKCASE	1	1207539
001	11300-ZH9-S50	COVER ASSY., CRANKCASE	1	
002	11381-ZE2-801	PACKING, CASE COVER	1	
002	11381-ZE2-801	PACKING, CASE COVER	1	
003	15600-ZG4-003	CAP ASSY., OIL FILLER	1	
004	15600-735-003	CAP ASSY., OIL FILLER	1	
005	15625-ZE1-003	PACKING, OIL FILLER CAP	2	
006	16510-ZE2-000	GOVERNOR ASSY.	1	
007	16511-ZE2-000	WEIGHT, GOVERNOR	2	
008	16512-ZE2-000	HOLDER, GOVERNOR WEIGHT	1	
009	16513-ZE2-000	PIN, GOVERNOR WEIGHT	2	
010	16531-Z0A-000	SLIDER, GOVERNOR	1	
011	90602-ZE1-000	CLIP, GOVERNOR HOLDER	1	
<u>Ref</u>	<u>Partnumber</u>	<u>Description</u>	<u>GX240U1</u>	<u>Serial Numbers</u>
011	90602-ZE1-000	CLIP, GOVERNOR HOLDER	1	
012	90701-HC4-000	DOWEL PIN, 8X12	2	
013	91201-890-003	OIL SEAL, 30X46X8	1	
013	91201-890-003	OIL SEAL, 30X46X8	1	
014	94101-06800	WASHER, PLAIN, 6MM	1	
015	95701-0803500	BOLT, FLANGE, 8X35	7	
017	96100-6206000	BEARING, RADIAL BALL, 6206	1	



Z5F0-E0700

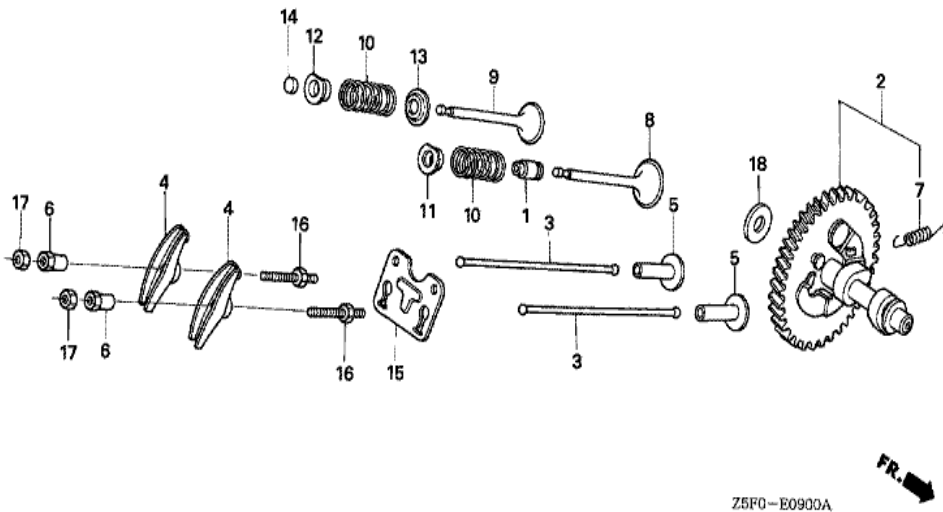
Ref	Partnumber	Description	GX240U1	Serial Numbers
006	13310-ZE2-672	CRANKSHAFT COMP.	1	
010	90741-ZE2-000	KEY, SPECIAL WOODRUFF, 25X18	1	
013	96100-6206000	BEARING, RADIAL BALL, 6206	1	
013	96100-6206000	BEARING, RADIAL BALL, 6206	1	



FR. →  
Z5F0E08008

Ref	Partnumber	Description	GX240U1	Serial Numbers
001	13010-Z5F-004	RING SET, PISTON (STD.) (TEIKOKU)	1	1194596
001	13010-ZE2-921	RING SET, PISTON (STD.) (TEIKOKU)	1	1194595
001	13010-ZE2-921	RING SET, PISTON (STD.) (TEIKOKU)	1	1194595
001	13010-ZE2-922	RING SET, PISTON (STD.) (NIPPON)	1	1194595
001	13010-ZE2-922	RING SET, PISTON (STD.) (NIPPON)	1	1194595
001	13011-Z5F-004	RING SET, PISTON (0.25) (TEIKOKU)	(1)	1194596
001	13011-Z5F-004	RING SET, PISTON (0.25) (TEIKOKU)	(1)	1194596
001	13011-ZE2-921	RING SET, PISTON (0.25) (TEIKOKU)	(1)	1194595
001	13011-ZE2-921	RING SET, PISTON (0.25) (TEIKOKU)	(1)	1194595
001	13011-ZE2-922	RING SET, PISTON (0.25) (NIPPON)	(1)	1194595
001	13011-ZE2-922	RING SET, PISTON (0.25) (NIPPON)	(1)	1194595
001	13012-Z5F-004	RING SET, PISTON (0.50) (TEIKOKU)	(1)	1194596
001	13012-Z5F-004	RING SET, PISTON (0.50) (TEIKOKU)	(1)	1194596

<u>Ref</u>	<u>Partnumber</u>	<u>Description</u>	<u>GX240U1</u>	<u>Serial Numbers</u>
001	13012-ZE2-921	RING SET, PISTON (0.50) (TEIKOKU)	(1)	1194595
001	13012-ZE2-921	RING SET, PISTON (0.50) (TEIKOKU)	(1)	1194595
001	13012-ZE2-922	RING SET, PISTON (0.50) (NIPPON)	(1)	1194595
001	13012-ZE2-922	RING SET, PISTON (0.50) (NIPPON)	(1)	1194595
001	13013-Z5F-004	RING SET, PISTON (0.75) (TEIKOKU)	(1)	1194596
001	13013-Z5F-004	RING SET, PISTON (0.75) (TEIKOKU)	(1)	1194596
001	13013-ZE2-921	RING SET, PISTON (0.75) (TEIKOKU)	(1)	1194595
001	13013-ZE2-921	RING SET, PISTON (0.75) (TEIKOKU)	(1)	1194595
001	13013-ZE2-922	RING SET, PISTON (0.75) (NIPPON)	(1)	1194595
001	13013-ZE2-922	RING SET, PISTON (0.75) (NIPPON)	(1)	1194595
002	13101-ZE2-W00	PISTON (STD.)	1	1194595
002	13101-ZE2-W01	PISTON (STD.)	1	
002	13101-ZE2-W01	PISTON (STD.)	1	1194596
002	13102-ZE2-W00	PISTON (0.25)	(1)	1194595
002	13102-ZE2-W00	PISTON (0.25)	(1)	1194595
002	13102-ZE2-W01	PISTON (0.25)	(1)	1194596
002	13102-ZE2-W01	PISTON (0.25)	(1)	1194596
002	13103-ZE2-W00	PISTON (0.50)	(1)	1194595
002	13103-ZE2-W00	PISTON (0.50)	(1)	1194595
002	13103-ZE2-W01	PISTON (0.50)	(1)	1194596
002	13103-ZE2-W01	PISTON (0.50)	(1)	1194596
002	13104-ZE2-W00	PISTON (0.75)	(1)	1194595
002	13104-ZE2-W00	PISTON (0.75)	(1)	1194595
002	13104-ZE2-W01	PISTON (0.75)	(1)	1194596
002	13104-ZE2-W01	PISTON (0.75)	(1)	1194596
003	13111-ZE2-000	PIN, PISTON	1	
003	13111-ZE2-000	PIN, PISTON	1	
004	13200-ZE2-010	ROD ASSY., CONNECTING (STD.)	1	
005	90001-ZE8-000	BOLT, CONNECTING ROD	2	
006	90551-ZE1-000	CLIP, PISTON PIN, 18MM	2	



Z5F0-E0900A

<u>Ref</u>	<u>Partnumber</u>	<u>Description</u>	<u>GX240U1</u>	<u>Serial Numbers</u>
001	12209-ZE8-003	SEAL, VALVE STEM	1	
002	14100-ZE2-W01	CAMSHAFT ASSY.	1	
002	14100-ZE2-W01	CAMSHAFT ASSY.	1	
003	14410-ZE2-013	ROD, PUSH	2	
004	14431-ZE2-010	ARM, VALVE ROCKER	2	
005	14441-ZE2-000	LIFTER, VALVE	2	
006	14451-ZE1-013	PIVOT, ROCKER ARM	2	
007	14568-ZE1-000	SPRING, WEIGHT RETURN	1	
008	14711-ZE2-000	VALVE, IN.	1	
008	14711-ZE2-000	VALVE, IN.	1	
009	14721-ZE2-000	VALVE, EX.	1	
009	14721-ZE2-000	VALVE, EX.	1	
010	14751-ZE2-003	SPRING, VALVE	2	
<u>Ref</u>	<u>Partnumber</u>	<u>Description</u>	<u>GX240U1</u>	<u>Serial Numbers</u>
011	14771-ZE2-000	RETAINER, IN. VALVE SPRING	1	
012	14773-ZE2-000	RETAINER, EX. VALVE SPRING	1	
012	14773-ZE2-000	RETAINER, EX. VALVE SPRING	1	
013	14775-ZE2-010	SEAT, VALVE SPRING	1	
014	14781-ZE2-000	ROTATOR, VALVE	1	
015	14791-ZE2-010	GUIDE, PUSH ROD	1	
016	90012-ZE0-010	BOLT, PIVOT, 8MM	2	
017	90206-ZE1-000	NUT, PIVOT ADJUSTING	2	