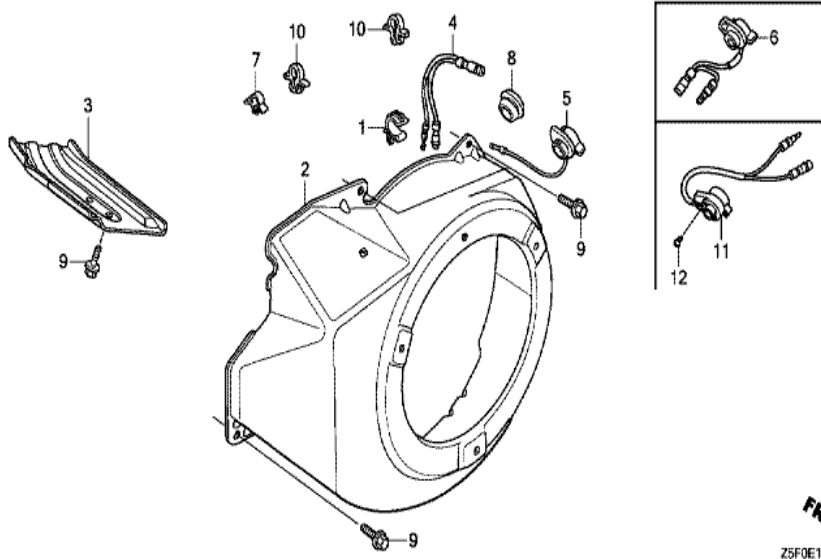


FR. →  
Z5F0E1100A

| <u>Ref</u> | <u>Partnumber</u> | <u>Description</u>                 | <u>GX240U1</u> | <u>Serial Numbers</u> |
|------------|-------------------|------------------------------------|----------------|-----------------------|
| 001        | 28400-ZE2-W01ZN   | STARTER ASSY., RECOIL *R280 *      | 1              |                       |
| 001        | 28400-ZE2-W01ZN   | STARTER ASSY., RECOIL *R280 *      | 1              |                       |
| 002        | 28410-ZE2-W01ZN   | CASE COMP., RECOIL STARTER *R280 * | 1              |                       |
| 002        | 28410-ZE2-W01ZN   | CASE COMP., RECOIL STARTER *R280 * | 1              |                       |
| 003        | 28421-ZE2-W01     | PULLEY, RECOIL STARTER             | 1              |                       |
| 004        | 28422-ZE2-W01     | RATCHET, STARTER                   | 2              |                       |
| 005        | 28441-ZE2-W01     | SPRING, FRICTION                   | 1              |                       |
| 006        | 28442-ZE2-W01     | SPRING, STARTER RETURN             | 1              |                       |
| 007        | 28443-ZE2-W01     | SPRING, RATCHET                    | 2              |                       |
| 008        | 28444-ZE2-W01     | RETAINER, SPRING                   | 1              |                       |
| 009        | 28461-ZE2-W02     | GRIP, STARTER                      | 1              |                       |
| 010        | 28462-ZE2-W11     | ROPE, RECOIL STARTER               | 1              |                       |
| 011        | 90004-ZE2-W01     | SCREW, CENTER                      | 1              |                       |
| <u>Ref</u> | <u>Partnumber</u> | <u>Description</u>                 | <u>GX240U1</u> | <u>Serial Numbers</u> |
| 012        | 90008-ZE2-003     | BOLT, FLANGE, 6X10                 | 3              |                       |



FR. →  
Z5F0E1200B

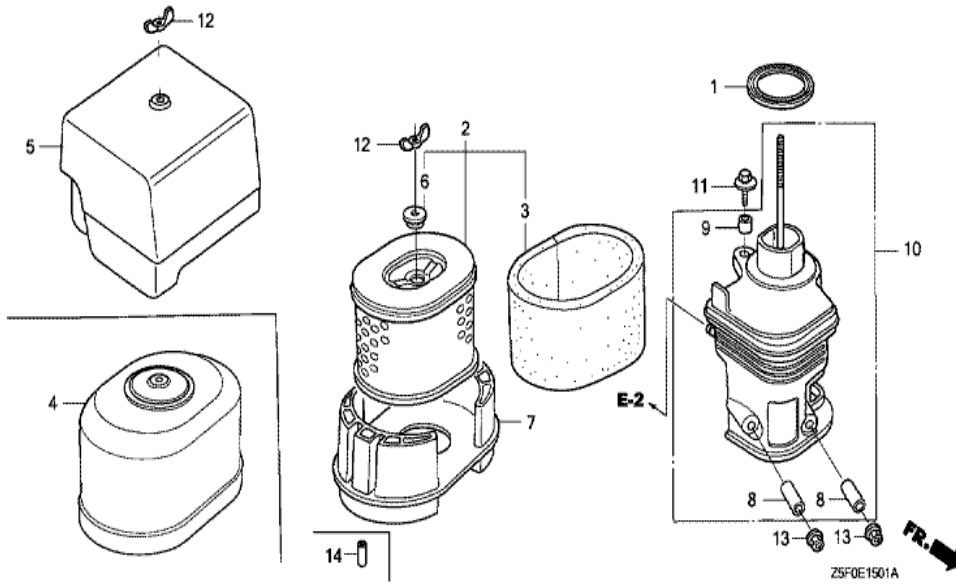
| Ref | Partnumber      | Description                | GX240U1 | Serial Numbers |
|-----|-----------------|----------------------------|---------|----------------|
| 001 | 16731-ZE2-003   | CLIP, TUBE                 | 1       |                |
| 002 | 19610-ZE2-010ZL | COVER COMP., FAN *R280 *   | 1       |                |
| 002 | 19610-ZE2-010ZL | COVER COMP., FAN *R280 *   | 1       |                |
| 003 | 19631-ZE2-D00   | SHROUD                     | 1       |                |
| 003 | 19631-ZE2-D00   | SHROUD                     | 1       |                |
| 005 | 35120-Z0D-V81   | SWITCH ASSY., ENGINE STOP  | 1       |                |
| 009 | 90013-883-000   | BOLT, FLANGE, 6X12 (CT200) | 6       |                |



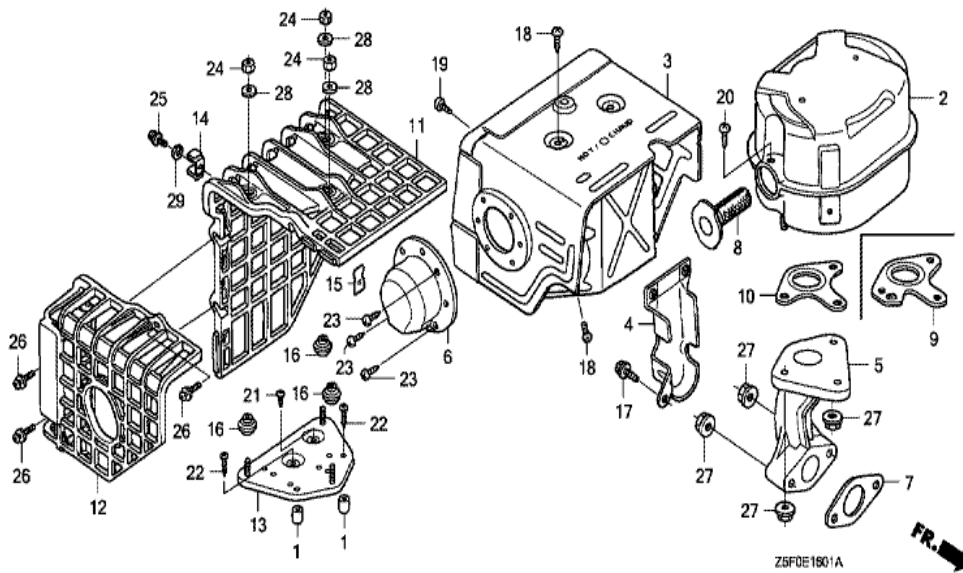
Z5F0E1401B

| Ref | Partnumber    | Description                  | GX240U1 | Serial Numbers |
|-----|---------------|------------------------------|---------|----------------|
| 001 | 16010-ZE2-812 | GASKET SET                   | 1       |                |
| 002 | 16011-ZA0-931 | VALVE SET, FLOAT             | 1       |                |
| 003 | 16013-ZA0-931 | FLOAT SET                    | 1       |                |
| 004 | 16015-ZE8-005 | CHAMBER SET, FLOAT           | 1       |                |
| 004 | 16015-ZE8-005 | CHAMBER SET, FLOAT           | 1       |                |
| 005 | 16016-ZH7-W01 | SCREW SET, PILOT             | 1       |                |
| 006 | 16024-ZE1-811 | SCREW SET, DRAIN             | 1       |                |
| 006 | 16024-ZE1-811 | SCREW SET, DRAIN             | 1       |                |
| 007 | 16028-ZE0-005 | SCREW SET                    | 1       |                |
| 007 | 16028-ZE0-005 | SCREW SET                    | 1       |                |
| 008 | 16044-ZE2-005 | CHOKE SET                    | 1       |                |
| 009 | 16100-ZE2-W71 | CARBURETOR ASSY. (BE70B B/C) | 1       |                |
| 009 | 16100-ZE2-W71 | CARBURETOR ASSY. (BE70B B/C) | 1       |                |

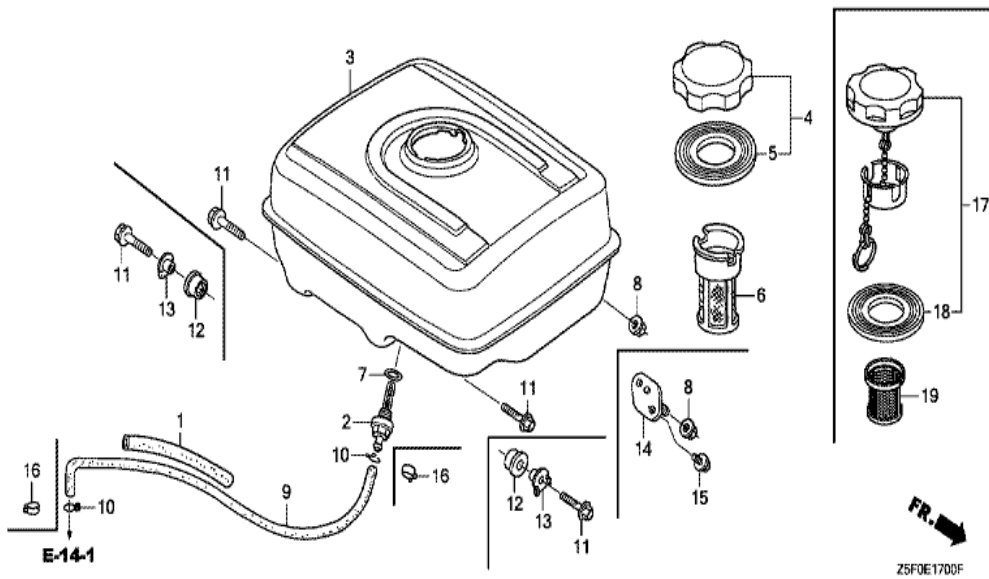
| <u>Ref</u> | <u>Partnumber</u> | <u>Description</u>         | <u>GX240U1</u> | <u>Serial Numbers</u> |
|------------|-------------------|----------------------------|----------------|-----------------------|
| 010        | 16124-ZE0-005     | SCREW, THROTTLE STOP       | 1              |                       |
| 011        | 16166-ZE2-W70     | NOZZLE, MAIN               | 1              |                       |
| 011        | 16166-ZE2-W70     | NOZZLE, MAIN               | 1              |                       |
| 012        | 16172-ZE3-W10     | COLLAR, SETTING            | 1              |                       |
| 013        | 16173-001-004     | PACKING, FUEL STRAINER CUP | 1              |                       |
| 014        | 16211-ZE2-000     | INSULATOR, CARBURETOR      | 1              |                       |
| 015        | 16220-ZA0-702     | SPACER COMP., CARBURETOR   | 1              |                       |
| 016        | 16221-ZA0-800     | PACKING, CARBURETOR        | 1              |                       |
| 016        | 16221-ZA0-800     | PACKING, CARBURETOR        | 1              |                       |
| 017        | 16223-ZA0-800     | PACKING, INSULATOR         | 1              |                       |
| 017        | 16223-ZA0-800     | PACKING, INSULATOR         | 1              |                       |
| 018        | 16610-ZE1-000     | LEVER COMP., CHOKE (STD.)  | 1              |                       |
| 020        | 16953-ZE1-812     | LEVER, COCK                | 1              |                       |
| 021        | 16954-ZE1-812     | PLATE, LEVER SETTING       | 1              |                       |
| 022        | 16956-ZE1-811     | SPRING, COCK LEVER         | 1              |                       |
| 023        | 16957-ZE1-812     | PACKING, FUEL COCK         | 1              |                       |
| 024        | 16967-ZE0-811     | CUP, FUEL STRAINER         | 1              |                       |
| 025        | 93500-030061H     | SCREW, PAN, 3X6            | 2              |                       |
| 026        | 94305-20122       | PIN, SPRING, 2X12          | 1              |                       |
| 029        | 99101-ZH80820     | JET, MAIN, #82             | (1)            |                       |
| 029        | 99101-ZH80820     | JET, MAIN, #82             | (1)            |                       |
| 029        | 99101-ZH80850     | JET, MAIN, #85             | (1)            |                       |
| 029        | 99101-ZH80850     | JET, MAIN, #85             | (1)            |                       |
| 029        | 99101-ZH80880     | JET, MAIN, #88             | (1)            |                       |
| 029        | 99101-ZH80880     | JET, MAIN, #88             | 1              |                       |
| 030        | 99204-ZA00400     | JET SET, PILOT, #40        | 1              | BE70B C               |
| 030        | 99204-ZE00400     | JET SET, PILOT, #40        | 1              | BE70B B               |
| 030        | 99204-ZE00400     | JET SET, PILOT, #40        | 1              | BE70B B               |



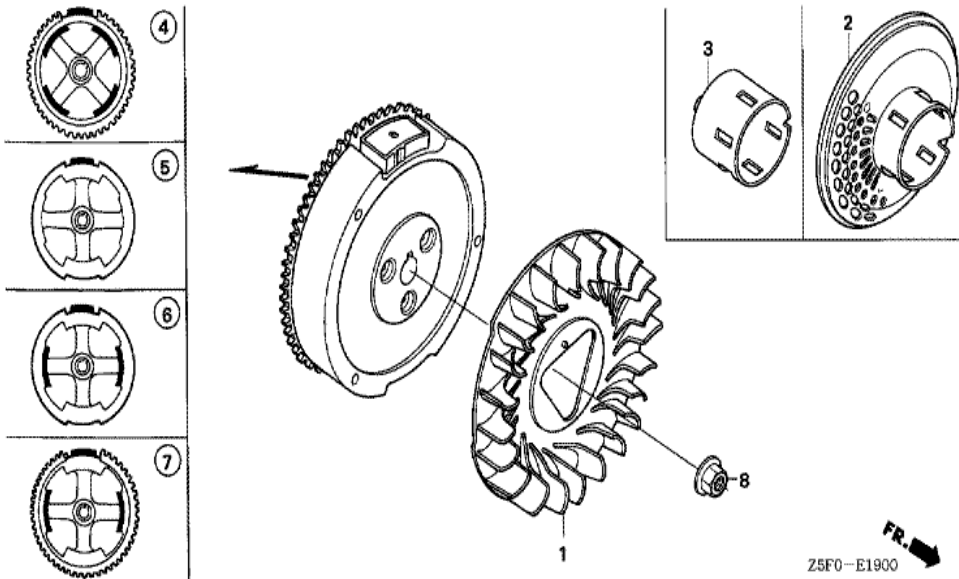
| Ref | Partnumber    | Description                 | GX240U1 | Serial Numbers |
|-----|---------------|-----------------------------|---------|----------------|
| 001 | 16271-ZE2-010 | PACKING, ELBOW              | 1       |                |
| 002 | 17210-ZE2-822 | ELEMENT, AIR CLEANER (DUAL) | 1       |                |
| 003 | 17218-ZE2-821 | FILTER, OUTER               | 1       |                |
| 005 | 17231-ZH9-820 | COVER, AIR CLEANER          | 1       |                |
| 006 | 17232-891-000 | GROMMET, AIR CLEANER        | 1       |                |
| 008 | 17238-ZE2-310 | COLLAR, AIR CLEANER         | 2       |                |
| 009 | 17239-ZE1-000 | COLLAR B, AIR CLEANER       | 1       |                |
| 010 | 17410-ZE2-020 | ELBOW COMP., AIR CLEANER    | 1       |                |
| 011 | 90009-ZE2-003 | BOLT-WASHER, 6X22           | 1       |                |
| 012 | 90325-044-000 | NUT, TOOL BOX SETTING       | 2       |                |
| 013 | 94050-06000   | NUT, FLANGE, 6MM            | 2       |                |



| Ref | Partnumber    | Description                              | GX240U1 | Serial Numbers |
|-----|---------------|--|---------|----------------|
| 001 | 17233-896-701 | COLLAR, AIR CLEANER CASE                 | (2)     |                |
| 002 | 18310-ZE2-W00 | MUFFLER COMP.                            | 1       |                |
| 003 | 18320-ZE2-W01 | PROTECTOR COMP., MUFFLER (STD.)          | 1       |                |
| 005 | 18330-ZE2-W00 | PIPE, EX.                                | 1       |                |
| 007 | 18333-ZE3-800 | GASKET, EX. PIPE                         | 1       |                |
| 008 | 18355-ZE2-010 | ARRESTER, SPARK                          | 1       |                |
| 008 | 18355-ZE2-010 | ARRESTER, SPARK                          | (1)     |                |
| 009 | 18381-ZE2-W10 | GASKET, MUFFLER (ARRESTER) (NIPPON LEAKL | (1)     |                |
| 009 | 18381-ZE2-W10 | GASKET, MUFFLER (ARRESTER) (NIPPON LEAKL | (1)     |                |
| 010 | 18381-ZE2-800 | GASKET, MUFFLER (NIPPON LEAKLESS)        | 1       |                |
| 011 | 18433-ZK9-W40 | COVER COMP., MUFFLER                     | (1)     |                |
| 012 | 18434-ZK9-W40 | COVER COMP., RR. MUFFLER                 | (1)     |                |
| 013 | 18436-ZH8-W40 | BASE COMP., MUFFLER COVER                | (1)     |                |
| Ref | Partnumber    | Description                              | GX240U1 | Serial Numbers |
| 014 | 18437-ZF6-W40 | STAY, MUFFLER COVER                      | (1)     |                |
| 015 | 18438-ZF6-W40 | PLATE, SET                               | (1)     |                |
| 016 | 18466-ZH8-W40 | SPACER, MUFFLER COVER                    | (3)     |                |
| 018 | 90050-ZE1-000 | SCREW, TAPPING, 5X8                      | 4       |                |
| 020 | 90055-ZE1-000 | SCREW, TAPPING, 4X6                      | (1)     |                |
| 020 | 90055-ZE1-000 | SCREW, TAPPING, 4X6                      | (1)     |                |
| 021 | 90050-ZE1-000 | SCREW, TAPPING, 5X8                      | (1)     |                |
| 022 | 90050-ZH8-W40 | SCREW, TAPPING, 5X25                     | (2)     |                |
| 024 | 90302-KF9-900 | NUT, HEX., 5MM                           | (3)     |                |
| 025 | 93891-0501200 | SCREW-WASHER, 5X12                       | (1)     |                |
| 026 | 93891-0602007 | SCREW-WASHER, 6X20                       | (3)     |                |
| 027 | 94050-08000   | NUT, FLANGE, 8MM                         | 5       |                |
| 028 | 94103-05700   | WASHER, PLAIN, 5MM                       | (3)     |                |
| 029 | 94111-05000   | WASHER, SPRING, 5MM                      | (1)     |                |

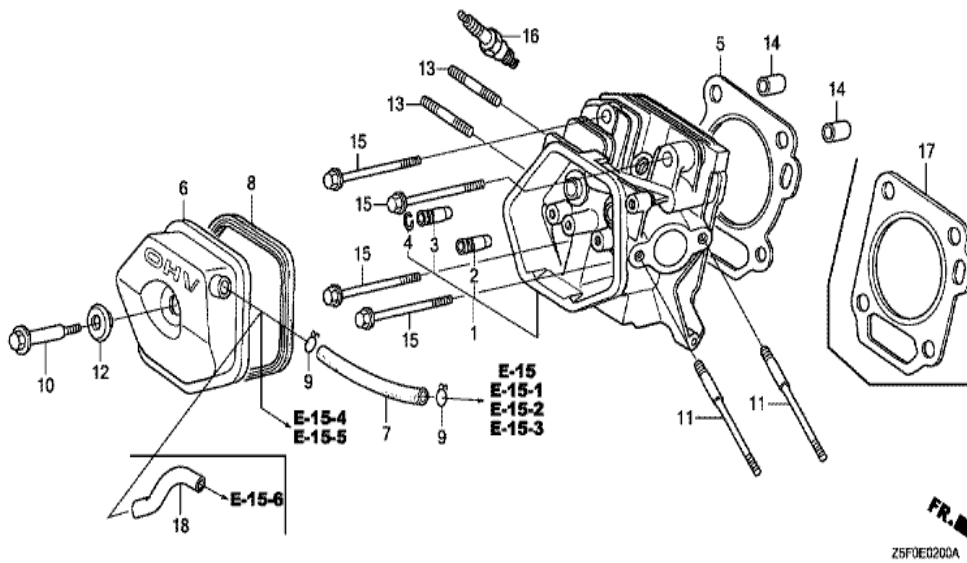


| Ref | Partnumber      | Description                              | GX240U1            | Serial Numbers  |                       |
|-----|-----------------|--|--------------------|-----------------|-----------------------|
| 001 | 16854-ZH8-000   | RUBBER, SUPPORTER (107MM)                | 1                  |                 |                       |
| 002 | 16955-ZE1-000   | JOINT, FUEL TANK                         | 1                  |                 |                       |
| 003 | 17510-ZE2-020ZA | TANK COMP., FUEL *NH31 *                 | 1                  | 1016062         |                       |
| 003 | 17510-ZE2-020ZA | TANK COMP., FUEL *NH31 *                 | 1                  | 1016062         |                       |
| 003 | 17510-ZE2-800ZC | TANK COMP., FUEL *NH31 *                 | 1                  | 1016063 1161304 |                       |
| 003 | 17510-ZE2-800ZC | TANK COMP., FUEL *NH31 *                 | 1                  | 1016063 1161304 |                       |
| 003 | 17510-ZE2-801ZC | TANK COMP., FUEL *NH31 *                 | 1                  | 1161305         |                       |
| 003 | 17510-ZE2-801ZC | TANK COMP., FUEL *NH31 *                 | 1                  | 1161305         |                       |
| 004 | 17620-Z0T-305   | CAP COMP., FUEL FILLER (CHROME PLATED)   | 1                  | 1201674         |                       |
| 005 | 17631-Z0T-812   | PACKING, FUEL FILLER CAP (39X62X3) (TOUY | 1                  | 1201674         |                       |
| 007 | 91353-671-004   | O-RING, 14MM (NOK)                       | 1                  |                 |                       |
| 008 | 94050-08000     | NUT, FLANGE, 8MM                         | 2                  |                 |                       |
| 009 | 91424-Z5F-801   | TUBE, FUEL, 4.5X222 (FKM)                | 1                  | 1032494         |                       |
|     | <u>Ref</u>      | <u>Partnumber</u>                        | <u>Description</u> | <u>GX240U1</u>  | <u>Serial Numbers</u> |
| 009 | 95001-4522240   | TUBE, FUEL, 4.5X222 (95001-45001-60M)    | 1                  | 1032493         |                       |
| 009 | 95001-4522240   | TUBE, FUEL, 4.5X222 (95001-45001-60M)    | 1                  | 1032493         |                       |
| 010 | 95002-02080     | CLIP, TUBE (B8)                          | 2                  | 1032493         |                       |
| 011 | 95701-0802500   | BOLT, FLANGE, 8X25                       | 2                  |                 |                       |
| 016 | 95002-4080008   | CLAMP, TUBE (D8)                         | 2                  |                 |                       |
| 016 | 95002-4080008   | CLAMP, TUBE (D8)                         | 2                  | 1032494         |                       |
| 017 | 17620-Z4H-010   | CAP COMP., FUEL FILLER (CHROME PLATED)   | 1                  | 1201675 1206823 |                       |
| 017 | 17620-Z4H-010   | CAP COMP., FUEL FILLER (CHROME PLATED)   | 1                  | 1201675 1206823 |                       |
| 017 | 17620-Z4H-020   | CAP COMP., FUEL FILLER                   | 1                  | 1206824         |                       |
| 018 | 17631-Z0T-801   | PACKING, FUEL FILLER CAP (39X62X3) (RADI | 1                  | 1206824         |                       |
| 018 | 17631-Z0T-801   | PACKING, FUEL FILLER CAP (39X62X3) (RADI | 1                  | 1206824         |                       |
| 018 | 17631-Z4H-800   | PACKING, FUEL FILLER CAP (39X62X3)       | 1                  | 1201675 1206823 |                       |
| 018 | 17631-Z4H-800   | PACKING, FUEL FILLER CAP (39X62X3)       | 1                  | 1201675 1206823 |                       |



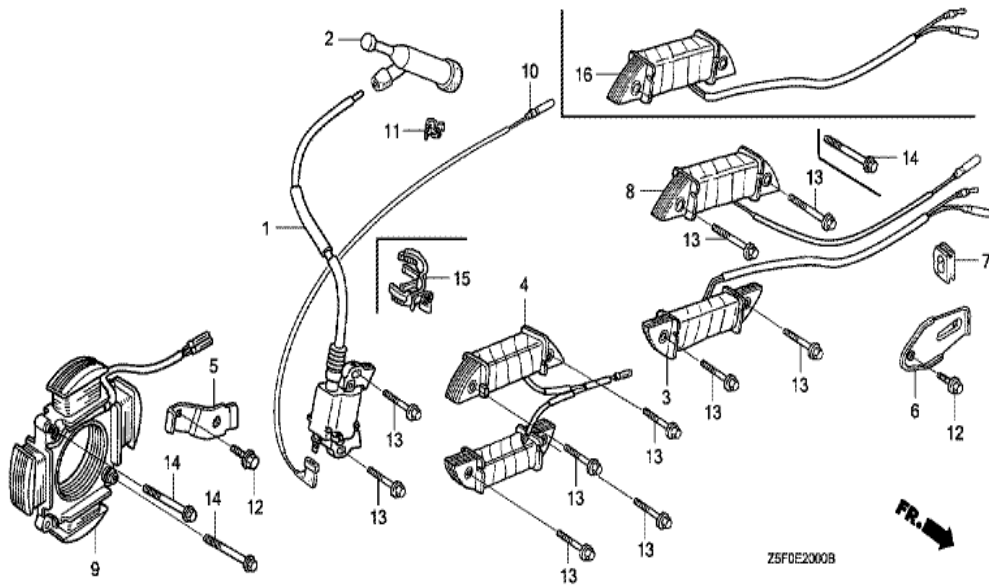
| Ref | Partnumber    | Description                         | GX240U1 | Serial Numbers |
|-----|---------------|-------------------------------------|---------|----------------|
| 001 | 19511-ZE2-000 | FAN, COOLING                        | 1       |                |
| 002 | 28450-ZE2-W11 | PULLEY COMP., STARTER (SCREEN GRID) | 1       |                |
| 005 | 31100-ZE2-010 | FLYWHEEL COMP.                      | 1       |                |
| 008 | 90201-ZE3-790 | NUT, SPECIAL, 16MM                  | 1       | 1131468        |
| 008 | 90201-ZE3-V00 | NUT, SPECIAL, 16MM                  | 1       | 1131467        |
| 008 | 90201-ZE3-V00 | NUT, SPECIAL, 16MM                  | 1       | 1131467        |



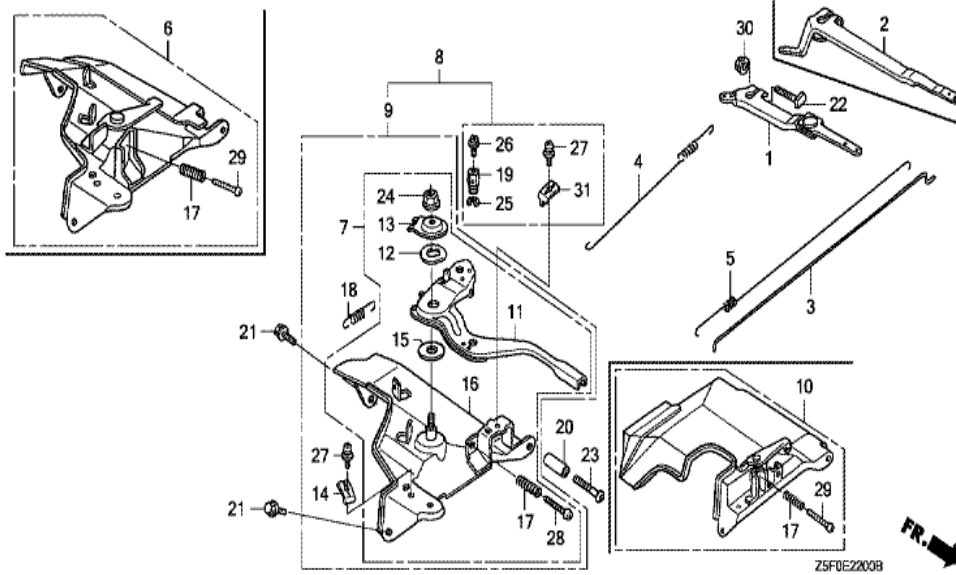


Z5F0E0200A

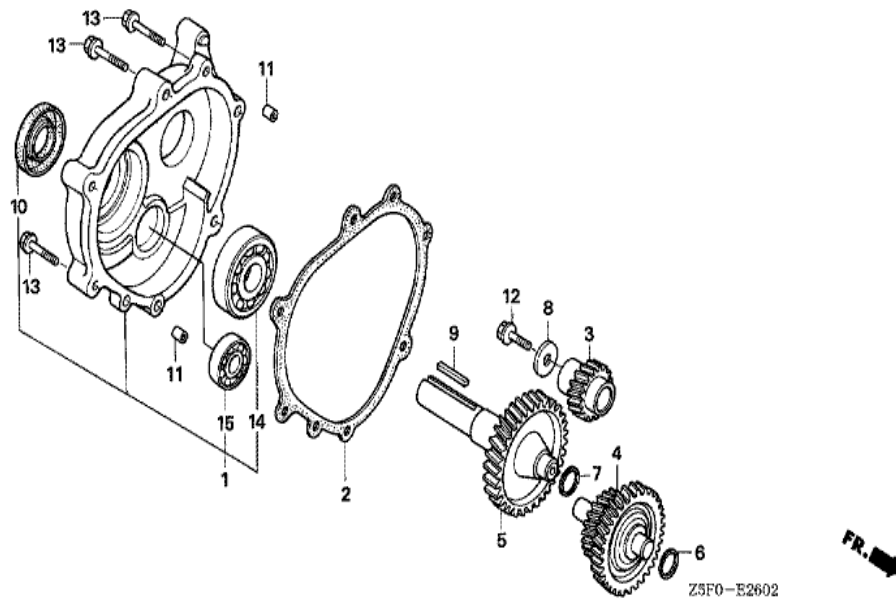
| Ref | Partnumber    | Description                    | GX240U1 | Serial Numbers |
|-----|---------------|--------------------------------|---------|----------------|
| 001 | 12200-ZH9-405 | HEAD COMP., CYLINDER           | 1       |                |
| 002 | 12204-ZE2-306 | GUIDE, IN. VALVE (O.S.)        | 1       |                |
| 003 | 12205-ZE2-305 | GUIDE, EX. VALVE (OS)          | 1       |                |
| 004 | 12216-ZE2-300 | CLIP, VALVE GUIDE              | 1       |                |
| 005 | 12251-ZE2-800 | GASKET, CYLINDER HEAD          | 1       |                |
| 006 | 12310-ZE2-020 | COVER COMP., HEAD              | 1       |                |
| 006 | 12310-ZE2-020 | COVER COMP., HEAD              | 1       |                |
| 007 | 95005-1110030 | TUBE, 11X100 (95005-11001-30M) | 1       |                |
| 007 | 95005-1110030 | TUBE, 11X100 (95005-11001-30M) | 1       |                |
| 008 | 12391-ZE2-020 | PACKING, HEAD COVER            | 1       |                |
| 010 | 90014-ZE2-000 | BOLT, HEAD COVER               | 1       |                |
| 011 | 90042-ZE2-000 | BOLT, STUD, 8X123              | 2       |                |
| 012 | 90441-ZE2-010 | WASHER COMP., HEAD COVER       | 1       |                |
| Ref | Partnumber    | Description                    | GX240U1 | Serial Numbers |
| 013 | 92900-080320E | BOLT, STUD, 8X32               | 2       |                |
| 013 | 92900-080320E | BOLT, STUD, 8X32               | 2       |                |
| 014 | 94301-12200   | DOWEL PIN, 12X20               | 2       |                |
| 015 | 95701-1008000 | BOLT, FLANGE, 10X80            | 4       | 1167471        |
| 015 | 95725-1008000 | BOLT, FLANGE, 10X80            | 4       | 1167470        |
| 015 | 95725-1008000 | BOLT, FLANGE, 10X80            | 4       | 1167470        |
| 016 | 98079-55846   | PLUG, SPARK (BPR5ES) (NGK)     | 1       |                |
| 016 | 98079-55846   | PLUG, SPARK (BPR5ES) (NGK)     | (1)     |                |
| 016 | 98079-55855   | PLUG, SPARK (W16EPR-U) (DENSO) | (1)     |                |
| 016 | 98079-55855   | PLUG, SPARK (W16EPR-U) (DENSO) | (1)     |                |
| 016 | 98079-56846   | PLUG, SPARK (BPR6ES) (NGK)     | 1       |                |
| 016 | 98079-56846   | PLUG, SPARK (BPR6ES) (NGK)     | 1       |                |
| 016 | 98079-56855   | PLUG, SPARK (W20EPR-U) (DENSO) | 1       |                |
| 016 | 98079-56855   | PLUG, SPARK (W20EPR-U) (DENSO) | 1       |                |



| Ref | Partnumber    | Description                               | GX240U1 | Serial Numbers |
|-----|---------------|---|---------|----------------|
| 001 | 30500-ZF6-W02 | COIL ASSY., IGNITION                      | 1       | 1167470        |
| 001 | 30500-ZF6-W03 | COIL ASSY., IGNITION                      | 1       |                |
| 001 | 30500-ZF6-W03 | COIL ASSY., IGNITION                      | 1       | 1167471        |
| 002 | 30700-ZE1-013 | CAP ASSY., NOISE SUPPRESSOR (NICHIIWA Y-E | 1       |                |
| 007 | 31512-ZE2-000 | GROMMET, CORD                             | 1       |                |
| 010 | 36101-ZE1-010 | CORD, STOP SWITCH (370MM)                 | 1       |                |
| 011 | 36103-ZE1-000 | HOLDER, STOP SWITCH CORD                  | 1       |                |
| 013 | 90015-883-000 | BOLT, FLANGE, 6X28 (CT200)                | 2       |                |



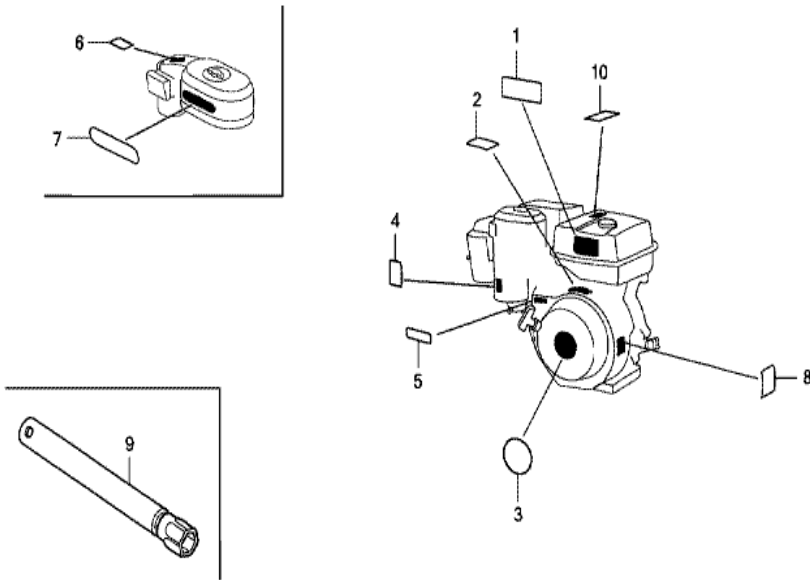
| <u>Ref</u> | <u>Partnumber</u> | <u>Description</u>                       | <u>GX240U1</u> | <u>Serial Numbers</u> |
|------------|-------------------|--|----------------|-----------------------|
| 002        | 16551-ZE2-000     | ARM, GOVERNOR                            | 1              |                       |
| 003        | 16555-ZE2-000     | ROD, GOVERNOR                            | 1              |                       |
| 004        | 16561-ZE2-000     | SPRING, GOVERNOR (L=145.0MM) (WIRE DIAME | 1              |                       |
| 005        | 16562-ZE2-000     | SPRING, THROTTLE RETURN                  | 1              |                       |
| 007        | 16570-ZE2-W00     | CONTROL ASSY.                            | 1              |                       |
| 007        | 16570-ZE2-W00     | CONTROL ASSY.                            | 1              |                       |
| 011        | 16571-ZE2-W00     | LEVER, CONTROL                           | 1              |                       |
| 012        | 16574-ZE1-000     | SPRING, LEVER                            | 1              |                       |
| 013        | 16575-ZE2-W00     | WASHER, CONTROL LEVER                    | 1              |                       |
| 015        | 16578-ZE1-000     | SPACER, CONTROL LEVER                    | 1              |                       |
| 016        | 16581-ZE2-W00     | BASE COMP., CONTROL (###)                | 1              |                       |
| 016        | 16581-ZE2-W00     | BASE COMP., CONTROL (###)                | 1              |                       |
| 017        | 16584-883-300     | SPRING, CONTROL ADJUSTING                | 1              |                       |
| <u>Ref</u> | <u>Partnumber</u> | <u>Description</u>                       | <u>GX240U1</u> | <u>Serial Numbers</u> |
| 020        | 16599-ZG1-M10     | COLLAR, STOPPER                          | (1)            |                       |
| 021        | 90013-883-000     | BOLT, FLANGE, 6X12 (CT200)               | 2              |                       |
| 022        | 90015-ZE5-010     | BOLT, GOVERNOR ARM                       | 1              |                       |
| 023        | 90016-ZG9-N30     | SCREW, RECESSED, 5X25                    | (1)            |                       |
| 024        | 90114-SA0-000     | NUT, SELF-LOCK, 6MM                      | 1              |                       |
| 028        | 93500-050280A     | SCREW, PAN, 5X28                         | 1              |                       |
| 030        | 94050-06000       | NUT, FLANGE, 6MM                         | 1              |                       |



Z5F0-E2602

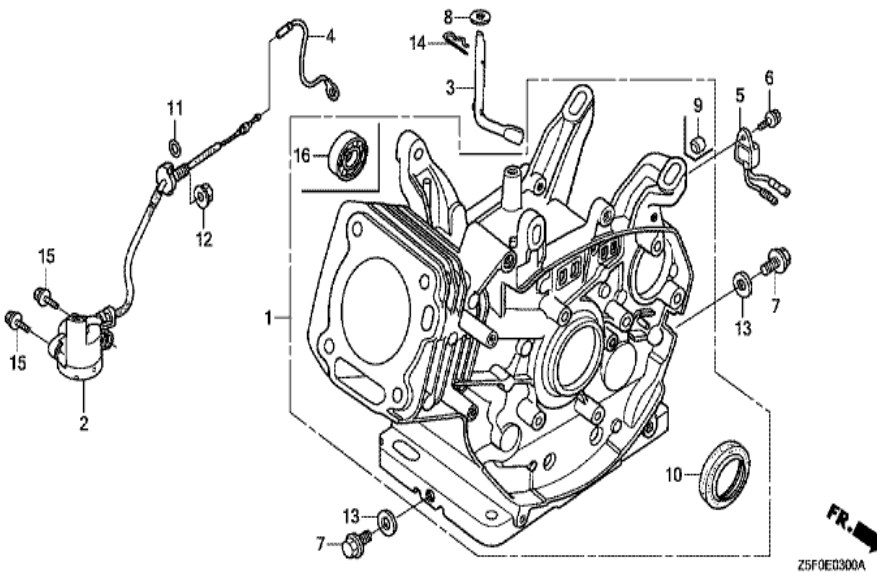
FR. →

| <u>Ref</u> | <u>Partnumber</u> | <u>Description</u>           | <u>GX240U1</u> | <u>Serial Numbers</u> |
|------------|-------------------|------------------------------|----------------|-----------------------|
| 001        | 11500-ZE2-620     | COVER ASSY., REDUCTION CASE  | 1              |                       |
| 002        | 11521-ZE2-800     | PACKING, CHAIN CASE COVER    | 1              |                       |
| 003        | 22103-ZE2-620     | GEAR, PRIMARY DRIVE (17T)    | 1              |                       |
| 004        | 23220-ZE2-621     | COUNTERSHAFT COMP. (18T/40T) | 1              |                       |
| 005        | 23710-ZE2-621     | SHAFT, P.T.O. (46T)          | 1              |                       |
| 006        | 90401-ZE2-620     | SHIM A                       | (N)            |                       |
| 007        | 90402-ZE2-620     | SHIM B                       | (N)            |                       |
| 008        | 90473-842-000     | WASHER, 8MM                  | 1              |                       |
| 009        | 90745-ZE2-600     | KEY, 6.3X6.3X43              | 1              |                       |
| 010        | 91201-890-003     | OIL SEAL, 30X46X8            | 1              |                       |
| 011        | 94301-08140       | DOWEL PIN, 8X14              | 2              |                       |
| 012        | 95701-0802500     | BOLT, FLANGE, 8X25           | 1              |                       |
| 013        | 95701-0804000     | BOLT, FLANGE, 8X40           | 6              |                       |
| <u>Ref</u> | <u>Partnumber</u> | <u>Description</u>           | <u>GX240U1</u> | <u>Serial Numbers</u> |
| 014        | 96100-6206000     | BEARING, RADIAL BALL, 6206   | 1              |                       |
| 015        | 96100-6302000     | BEARING, RADIAL BALL, 6302   | 1              |                       |



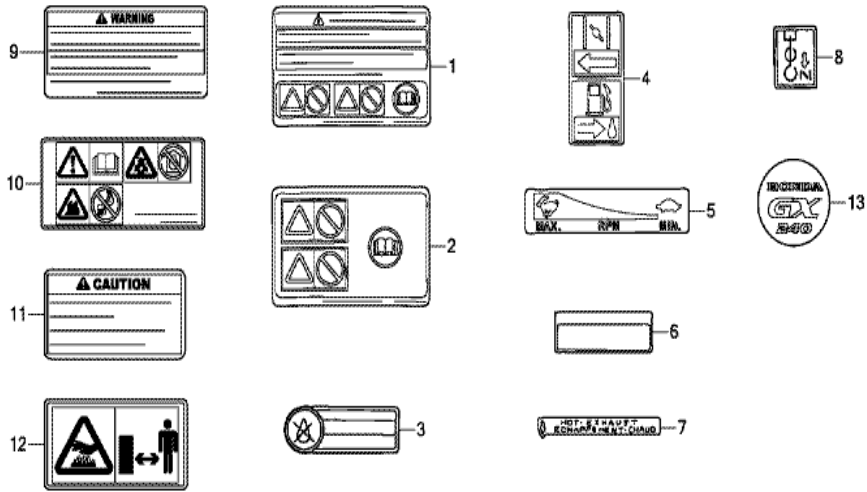
Z3F0E2800A

| Ref | Partnumber    | Description                              | GX240U1 | Serial Numbers |
|-----|---------------|--|---------|----------------|
| 001 | 87516-ZH7-000 | MARK, OPERATOR CAUTION (ENGLISH) (MADE I | 1       |                |
| 001 | 87516-ZH7-810 | MARK, OPERATOR CAUTION (PICTOGRAPH) (MAD | (1)     | 1237019        |
| 001 | 87516-ZH7-810 | MARK, OPERATOR CAUTION (PICTOGRAPH) (MAD | (1)     | 1237019        |
| 003 | 87521-ZE2-W03 | EMBLEM (GX240 HONDA 8.0)                 | 1       | 1167470        |
| 003 | 87521-ZE2-W03 | EMBLEM (GX240 HONDA 8.0)                 | 1       | 1167470        |
| 003 | 87521-ZE2-W04 | EMBLEM (GX240)                           | 1       | 1167471        |
| 003 | 87521-ZE2-W04 | EMBLEM (GX240)                           | 1       | 1167471        |
| 004 | 87528-ZH7-000 | MARK, CHOKE (GRAY)                       | 1       |                |
| 004 | 87528-ZH7-000 | MARK, CHOKE (GRAY)                       | 1       |                |
| 005 | 87532-ZH7-000 | MARK, THROTTLE INDICATION                | 1       |                |



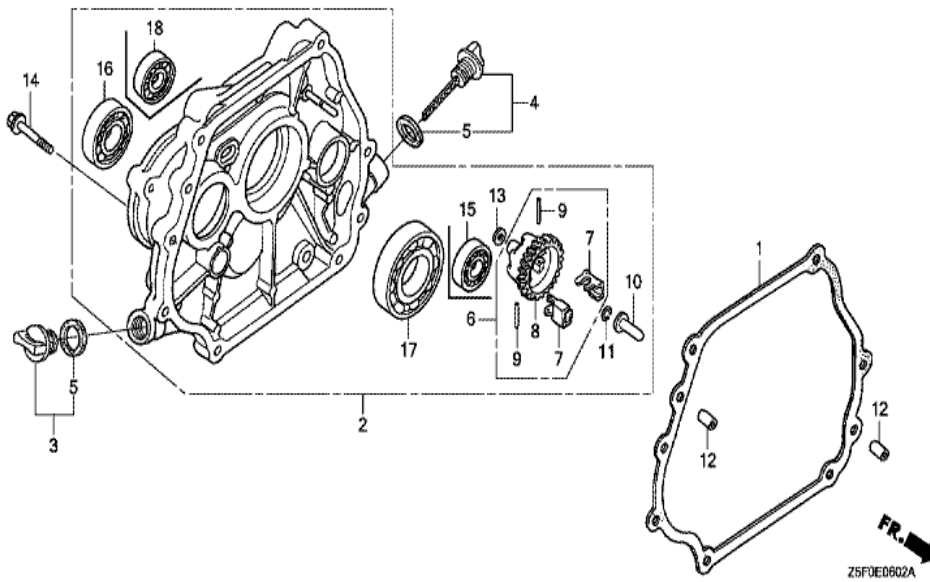
Z5F0E0300A

| Ref | Partnumber    | Description                   | GX240U1 | Serial Numbers |
|-----|---------------|-------------------------------|---------|----------------|
| 001 | 12000-ZE2-405 | BARREL ASSY., CYLINDER (STD.) | 1       |                |
| 001 | 12000-ZE2-405 | BARREL ASSY., CYLINDER (STD.) | 1       |                |
| 003 | 16541-ZE2-010 | SHAFT, GOVERNOR ARM           | 1       |                |
| 007 | 90131-883-000 | BOLT, DRAIN PLUG, 12X15       | 2       |                |
| 008 | 90446-KE1-000 | WASHER, 8.2X17X0.8            | 1       |                |
| 009 | 90801-ZE2-003 | PLUG, SEALING (RUBBER 10MM)   | 1       | 1026999        |
| 010 | 91201-890-003 | OIL SEAL, 30X46X8             | 1       |                |
| 013 | 94109-12000   | WASHER, DRAIN PLUG, 12MM      | 2       |                |
| 014 | 94251-10000   | PIN, LOCK, 10MM               | 1       |                |



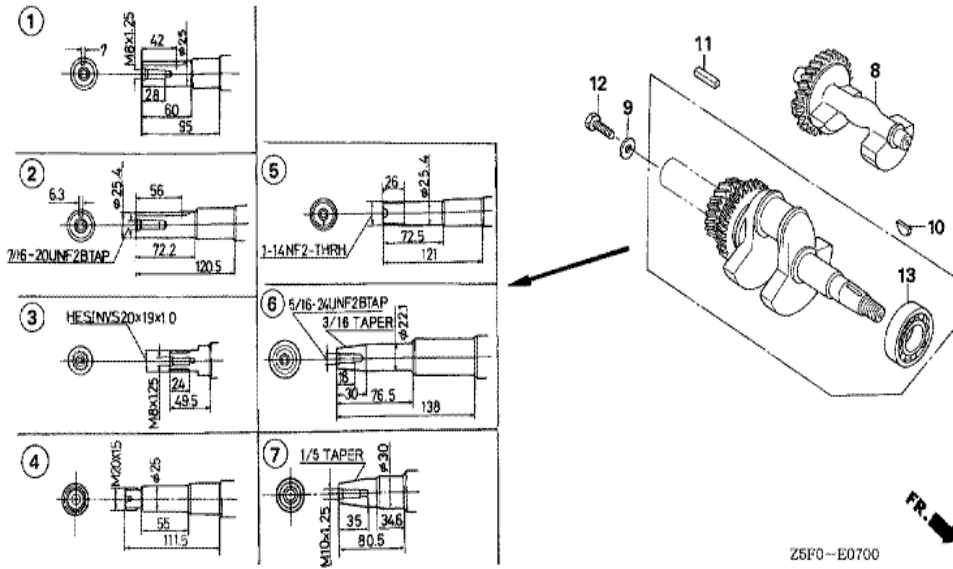
Z5F0E4001C

| Ref | Partnumber    | Description                              | GX240U1 | Serial Numbers |
|-----|---------------|--|---------|----------------|
| 001 | 87516-ZH7-800 | MARK, OPERATOR CAUTION (FRENCH) (MADE IN | 1       | 1237019        |
| 001 | 87516-ZH7-800 | MARK, OPERATOR CAUTION (FRENCH) (MADE IN | 1       |                |



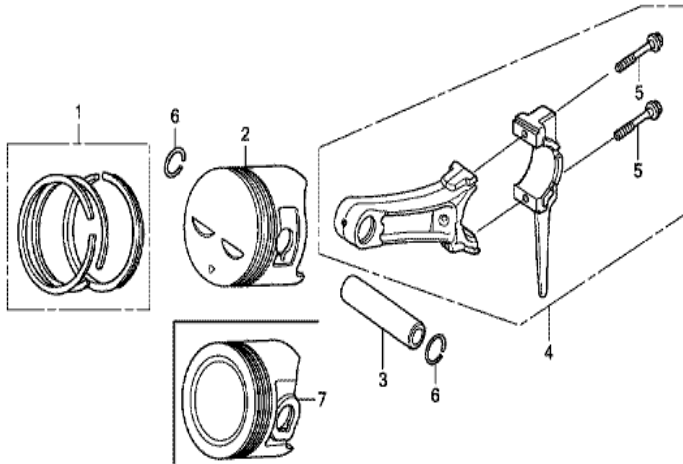
| <u>Ref</u> | <u>Partnumber</u> | <u>Description</u>         | <u>GX240U1</u> | <u>Serial Numbers</u> |
|------------|-------------------|----------------------------|----------------|-----------------------|
| 001        | 11381-ZE2-801     | PACKING, CASE COVER        | 1              |                       |
| 001        | 11381-ZE2-801     | PACKING, CASE COVER        | 1              |                       |
| 002        | 11300-ZE2-622     | COVER ASSY., CRANKCASE     | 1              |                       |
| 002        | 11300-ZE2-622     | COVER ASSY., CRANKCASE     | 1              |                       |
| 003        | 15600-ZG4-003     | CAP ASSY., OIL FILLER      | 1              |                       |
| 004        | 15600-735-003     | CAP ASSY., OIL FILLER      | 1              |                       |
| 005        | 15625-ZE1-003     | PACKING, OIL FILLER CAP    | 2              |                       |
| 006        | 16510-ZE2-000     | GOVERNOR ASSY.             | 1              |                       |
| 007        | 16511-ZE2-000     | WEIGHT, GOVERNOR           | 2              |                       |
| 008        | 16512-ZE2-000     | HOLDER, GOVERNOR WEIGHT    | 1              |                       |
| 009        | 16513-ZE2-000     | PIN, GOVERNOR WEIGHT       | 2              |                       |
| 010        | 16531-Z0A-000     | SLIDER, GOVERNOR           | 1              |                       |
| 011        | 90602-ZE1-000     | CLIP, GOVERNOR HOLDER      | 1              |                       |
| <u>Ref</u> | <u>Partnumber</u> | <u>Description</u>         | <u>GX240U1</u> | <u>Serial Numbers</u> |
| 011        | 90602-ZE1-000     | CLIP, GOVERNOR HOLDER      | 1              |                       |
| 012        | 90701-HC4-000     | DOWEL PIN, 8X12            | 2              |                       |
| 013        | 94101-06800       | WASHER, PLAIN, 6MM         | 1              |                       |
| 014        | 95701-0803500     | BOLT, FLANGE, 8X35         | 7              |                       |
| 016        | 96100-6204000     | BEARING, RADIAL BALL, 6204 | 1              |                       |
| 017        | 96100-6206000     | BEARING, RADIAL BALL, 6206 | 1              |                       |
| 018        | 96100-6302000     | BEARING, RADIAL BALL, 6302 | 1              |                       |





Z5F0-E0700

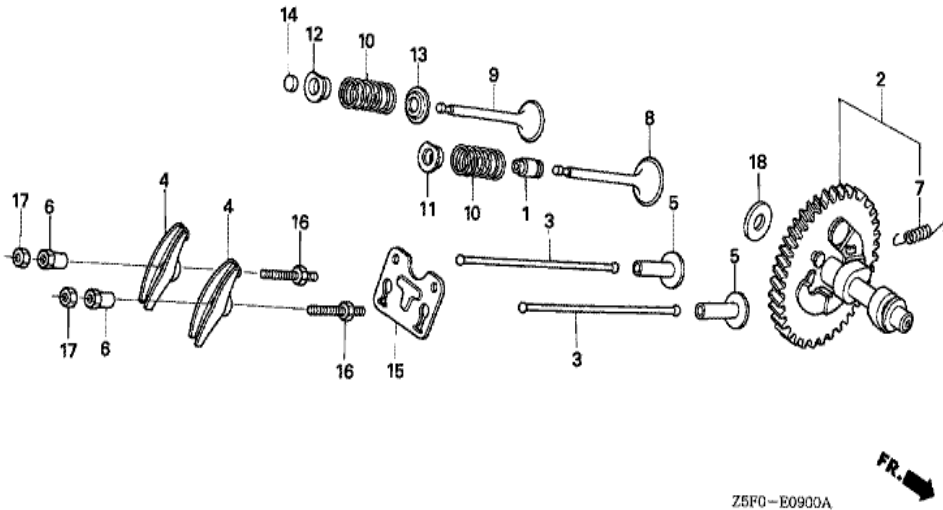
| Ref | Partnumber    | Description                  | GX240U1 | Serial Numbers |
|-----|---------------|------------------------------|---------|----------------|
| 003 | 13310-ZE2-611 | CRANKSHAFT COMP.             | 1       | 1003214        |
| 003 | 13310-ZE2-612 | CRANKSHAFT COMP.             | 1       | 1003215        |
| 010 | 90741-ZE2-000 | KEY, SPECIAL WOODRUFF, 25X18 | 1       |                |
| 013 | 96100-6206000 | BEARING, RADIAL BALL, 6206   | 1       |                |
| 013 | 96100-6206000 | BEARING, RADIAL BALL, 6206   | 1       |                |



FR. →  
Z5F0E08008

| Ref | Partnumber    | Description                       | GX240U1 | Serial Numbers |
|-----|---------------|-----------------------------------|---------|----------------|
| 001 | 13010-Z5F-004 | RING SET, PISTON (STD.) (TEIKOKU) | 1       | 1194596        |
| 001 | 13010-ZE2-921 | RING SET, PISTON (STD.) (TEIKOKU) | 1       | 1194595        |
| 001 | 13010-ZE2-921 | RING SET, PISTON (STD.) (TEIKOKU) | 1       | 1194595        |
| 001 | 13010-ZE2-922 | RING SET, PISTON (STD.) (NIPPON)  | 1       | 1194595        |
| 001 | 13010-ZE2-922 | RING SET, PISTON (STD.) (NIPPON)  | 1       | 1194595        |
| 001 | 13011-Z5F-004 | RING SET, PISTON (0.25) (TEIKOKU) | (1)     | 1194596        |
| 001 | 13011-Z5F-004 | RING SET, PISTON (0.25) (TEIKOKU) | (1)     | 1194596        |
| 001 | 13011-ZE2-921 | RING SET, PISTON (0.25) (TEIKOKU) | (1)     | 1194595        |
| 001 | 13011-ZE2-921 | RING SET, PISTON (0.25) (TEIKOKU) | (1)     | 1194595        |
| 001 | 13011-ZE2-922 | RING SET, PISTON (0.25) (NIPPON)  | (1)     | 1194595        |
| 001 | 13011-ZE2-922 | RING SET, PISTON (0.25) (NIPPON)  | (1)     | 1194595        |
| 001 | 13012-Z5F-004 | RING SET, PISTON (0.50) (TEIKOKU) | (1)     | 1194596        |
| 001 | 13012-Z5F-004 | RING SET, PISTON (0.50) (TEIKOKU) | (1)     | 1194596        |

| <u>Ref</u> | <u>Partnumber</u> | <u>Description</u>                      | <u>GX240U1</u> | <u>Serial Numbers</u> |
|------------|-------------------|---|----------------|-----------------------|
| 001        | 13012-ZE2-921     | RING SET, PISTON (0.50) (TEIKOKU)       | (1)            | 1194595               |
| 001        | 13012-ZE2-921     | RING SET, PISTON (0.50) (TEIKOKU)       | (1)            | 1194595               |
| 001        | 13012-ZE2-922     | RING SET, PISTON (0.50) (NIPPON)        | (1)            | 1194595               |
| 001        | 13012-ZE2-922     | RING SET, PISTON (0.50) (NIPPON)        | (1)            | 1194595               |
| 001        | 13013-Z5F-004     | RING SET, PISTON (0.75) (TEIKOKU)       | (1)            | 1194596               |
| 001        | 13013-Z5F-004     | RING SET, PISTON (0.75) (TEIKOKU)       | (1)            | 1194596               |
| 001        | 13013-ZE2-921     | RING SET, PISTON (0.75) (TEIKOKU)       | (1)            | 1194595               |
| 001        | 13013-ZE2-921     | RING SET, PISTON (0.75) (TEIKOKU)       | (1)            | 1194595               |
| 001        | 13013-ZE2-922     | RING SET, PISTON (0.75) (NIPPON)        | (1)            | 1194595               |
| 001        | 13013-ZE2-922     | RING SET, PISTON (0.75) (NIPPON)        | (1)            | 1194595               |
| 002        | 13101-ZE2-W00     | PISTON (STD.)                           | 1              | 1194595               |
| 002        | 13101-ZE2-W01     | PISTON (STD.)                           | 1              |                       |
| 002        | 13101-ZE2-W01     | PISTON (STD.)                           | 1              | 1194596               |
| 002        | 13102-ZE2-W00     | PISTON (0.25)                           | (1)            | 1194595               |
| 002        | 13102-ZE2-W00     | PISTON (0.25)                           | (1)            | 1194595               |
| 002        | 13102-ZE2-W01     | PISTON (0.25)                           | (1)            | 1194596               |
| 002        | 13102-ZE2-W01     | PISTON (0.25)                           | (1)            | 1194596               |
| 002        | 13103-ZE2-W00     | PISTON (0.50)                           | (1)            | 1194595               |
| 002        | 13103-ZE2-W00     | PISTON (0.50)                           | (1)            | 1194595               |
| 002        | 13103-ZE2-W01     | PISTON (0.50)                           | (1)            | 1194596               |
| 002        | 13103-ZE2-W01     | PISTON (0.50)                           | (1)            | 1194596               |
| 002        | 13104-ZE2-W00     | PISTON (0.75)                           | (1)            | 1194595               |
| 002        | 13104-ZE2-W00     | PISTON (0.75)                           | (1)            | 1194595               |
| 002        | 13104-ZE2-W01     | PISTON (0.75)                           | (1)            | 1194596               |
| 002        | 13104-ZE2-W01     | PISTON (0.75)                           | (1)            | 1194596               |
| 003        | 13111-ZE2-000     | PIN, PISTON                             | 1              |                       |
| 003        | 13111-ZE2-000     | PIN, PISTON                             | 1              |                       |
| 004        | 13200-ZE2-010     | ROD ASSY., CONNECTING (STD.)            | 1              |                       |
| 004        | 13200-ZE2-305     | ROD ASSY., CONNECTING (0.25 UNDER SIZE) | (1)            |                       |
| 004        | 13200-ZE2-305     | ROD ASSY., CONNECTING (0.25 UNDER SIZE) | (1)            |                       |
| 005        | 90001-ZE8-000     | BOLT, CONNECTING ROD                    | 2              |                       |
| 006        | 90551-ZE1-000     | CLIP, PISTON PIN, 18MM                  | 2              |                       |



Z5F0-E0900A

| <u>Ref</u> | <u>Partnumber</u> | <u>Description</u>         | <u>GX240U1</u> | <u>Serial Numbers</u> |
|------------|-------------------|----------------------------|----------------|-----------------------|
| 001        | 12209-ZE8-003     | SEAL, VALVE STEM           | 1              |                       |
| 002        | 14100-ZE2-W01     | CAMSHAFT ASSY.             | 1              |                       |
| 002        | 14100-ZE2-W01     | CAMSHAFT ASSY.             | 1              |                       |
| 003        | 14410-ZE2-013     | ROD, PUSH                  | 2              |                       |
| 004        | 14431-ZE2-010     | ARM, VALVE ROCKER          | 2              |                       |
| 005        | 14441-ZE2-000     | LIFTER, VALVE              | 2              |                       |
| 006        | 14451-ZE1-013     | PIVOT, ROCKER ARM          | 2              |                       |
| 007        | 14568-ZE1-000     | SPRING, WEIGHT RETURN      | 1              |                       |
| 008        | 14711-ZE2-000     | VALVE, IN.                 | 1              |                       |
| 008        | 14711-ZE2-000     | VALVE, IN.                 | 1              |                       |
| 009        | 14721-ZE2-000     | VALVE, EX.                 | 1              |                       |
| 009        | 14721-ZE2-000     | VALVE, EX.                 | 1              |                       |
| 010        | 14751-ZE2-003     | SPRING, VALVE              | 2              |                       |
| <u>Ref</u> | <u>Partnumber</u> | <u>Description</u>         | <u>GX240U1</u> | <u>Serial Numbers</u> |
| 011        | 14771-ZE2-000     | RETAINER, IN. VALVE SPRING | 1              |                       |
| 012        | 14773-ZE2-000     | RETAINER, EX. VALVE SPRING | 1              |                       |
| 012        | 14773-ZE2-000     | RETAINER, EX. VALVE SPRING | 1              |                       |
| 013        | 14775-ZE2-010     | SEAT, VALVE SPRING         | 1              |                       |
| 014        | 14781-ZE2-000     | ROTATOR, VALVE             | 1              |                       |
| 015        | 14791-ZE2-010     | GUIDE, PUSH ROD            | 1              |                       |
| 016        | 90012-ZE0-010     | BOLT, PIVOT, 8MM           | 2              |                       |
| 017        | 90206-ZE1-000     | NUT, PIVOT ADJUSTING       | 2              |                       |